



US00D488634S

(12) **United States Design Patent**
De Bruyn et al.

(10) **Patent No.:** **US D488,634 S**

(45) **Date of Patent:** **** Apr. 20, 2004**

(54) **DESK**

D460,877 S * 7/2002 Waisbrod et al. D6/441

(75) Inventors: **Claudia De Bruyn**, Ratingen (DE);
Achim Nagel, Hamburg (DE)

OTHER PUBLICATIONS

Brochure, "Set 1, Service Communication Exhibition", Vis-
play International AG, Switzerland.
Mar. 2001, pp. front cover, 1-3, and back cover.

(73) Assignee: **Visplay International AG**, MuttENZ
(CH)

* cited by examiner

(**) Term: **14 Years**

Primary Examiner—Janice E. Seeger

(21) Appl. No.: **29/160,269**

(74) *Attorney, Agent, or Firm*—McCarter & English, LLP

(22) Filed: **May 7, 2002**

(57) **CLAIM**

(30) **Foreign Application Priority Data**

The ornamental design for a desk, as shown and described.

Nov. 8, 2001 (WO) DM/058 144

DESCRIPTION

(51) **LOC (7) Cl.** **06-04**

FIG. 1 is a front elevational view of a desk, showing our new
design;

(52) **U.S. Cl.** **D6/422; D6/482; D6/486**

FIG. 2 is a rear elevational view thereof;

(58) **Field of Search** D6/480-489, 495,
D6/496, 422, 425, 429, 430, 427, 428,
441, 447; 312/194-196, 208.1; 108/50.01,
50.02, 150

FIG. 3 is a right perspective view thereof;

FIG. 4 is a left side elevational view thereof;

FIG. 5 is a rear elevational view, showing the movable side
unit completely rolled out;

FIG. 6 is a front elevational view, showing the movable side
unit completely rolled out;

(56) **References Cited**

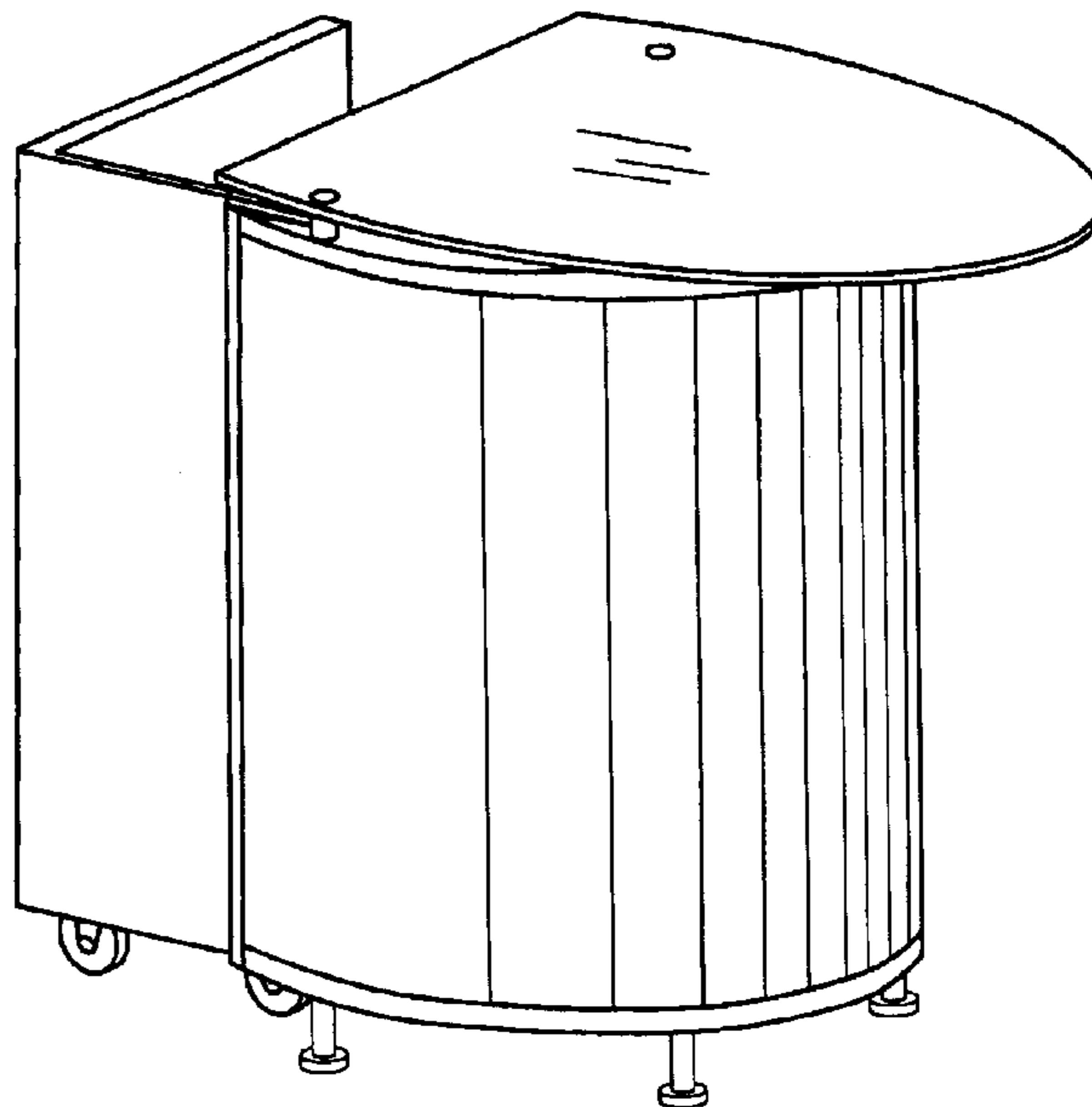
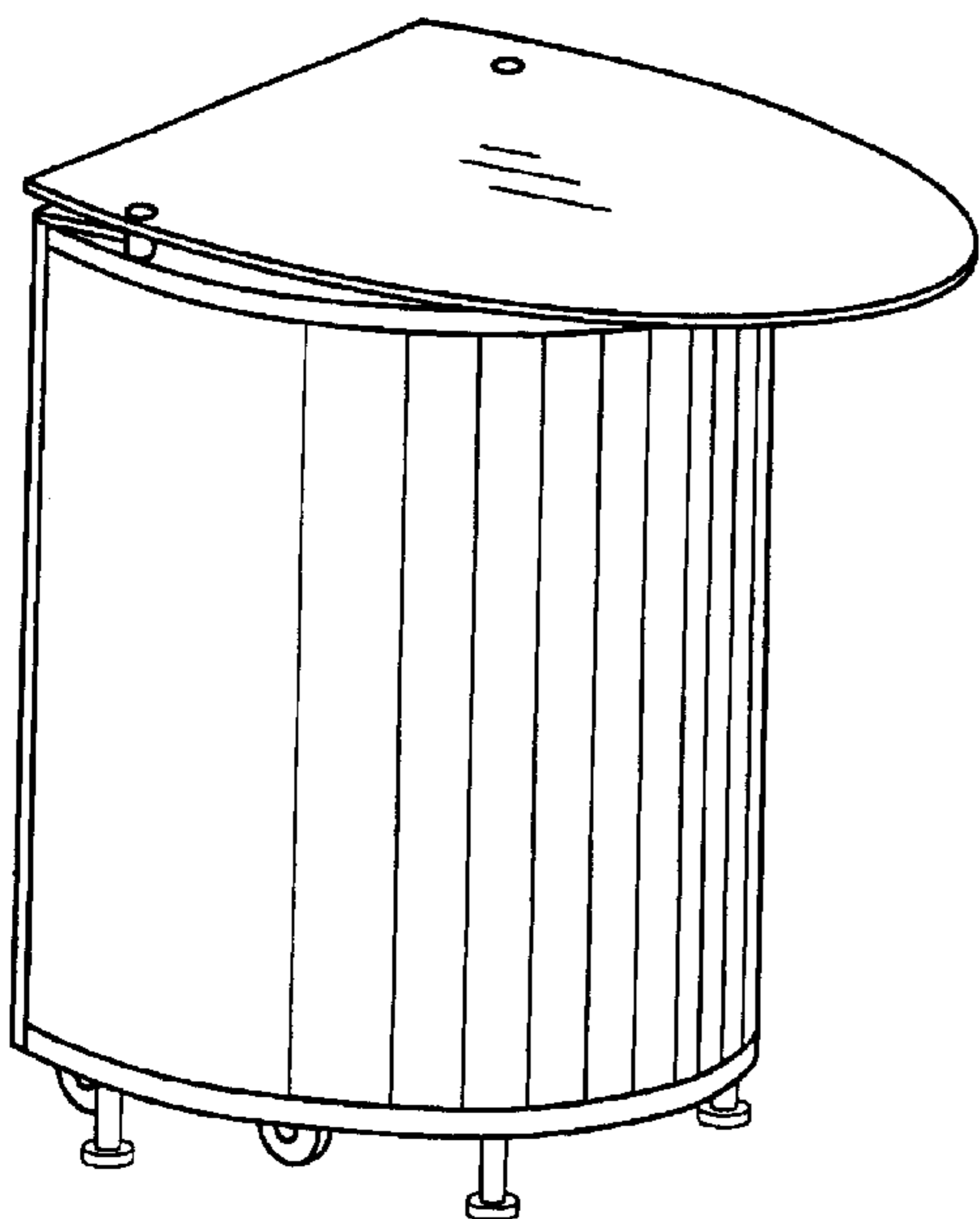
U.S. PATENT DOCUMENTS

D142,121 S * 8/1945 Ristenpart D6/422
D234,413 S * 3/1975 Hauner D6/429
D315,994 S * 4/1991 Bayley D6/427
D352,852 S * 11/1994 Hosoe D6/482
D441,981 S * 5/2001 Isinger D6/433

FIG. 7 is a perspective view showing a second embodiment
of our new design; and,

FIG. 8 is perspective view, showing the movable side unit
completely rolled out.

1 Claim, 8 Drawing Sheets



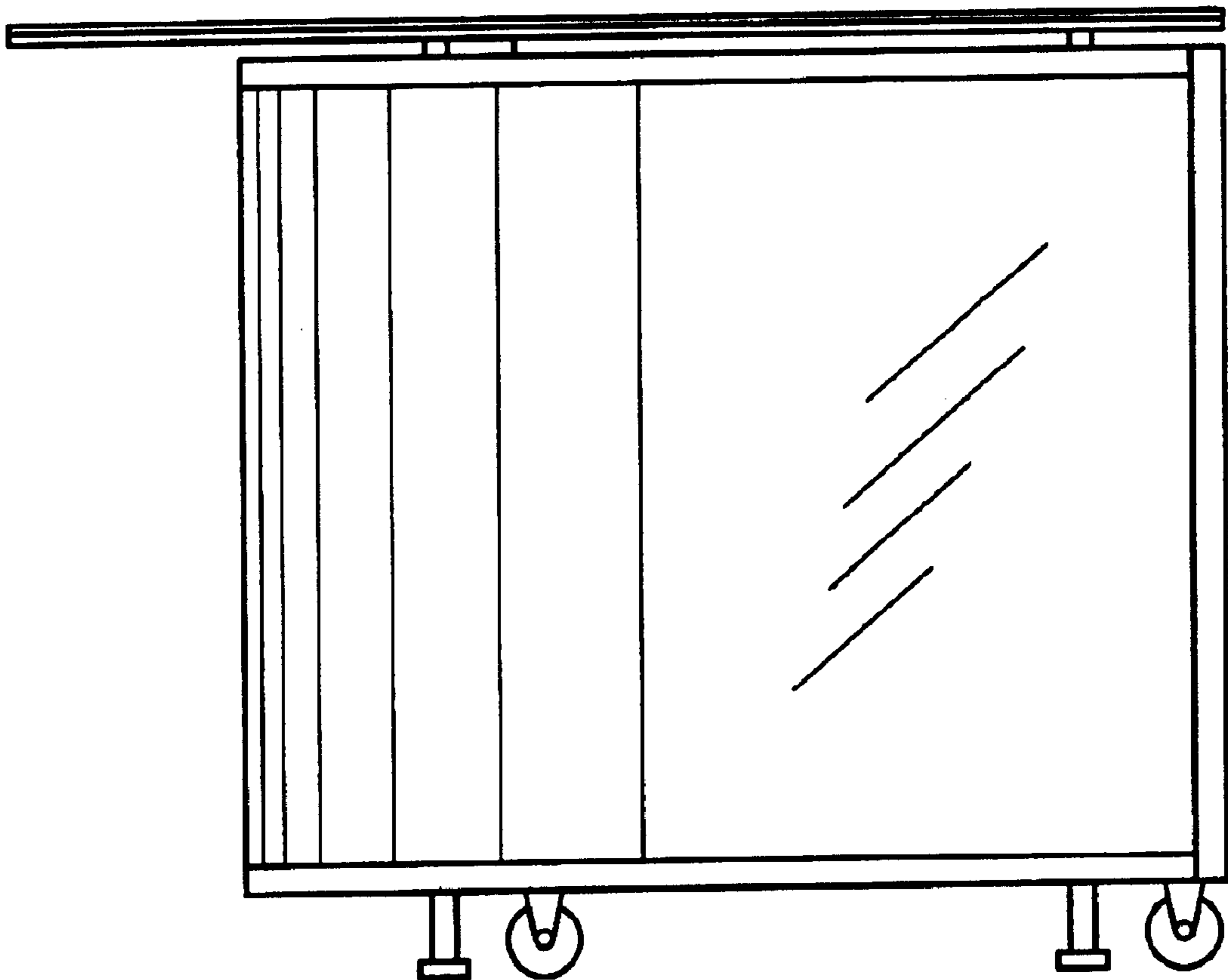


FIG. 1

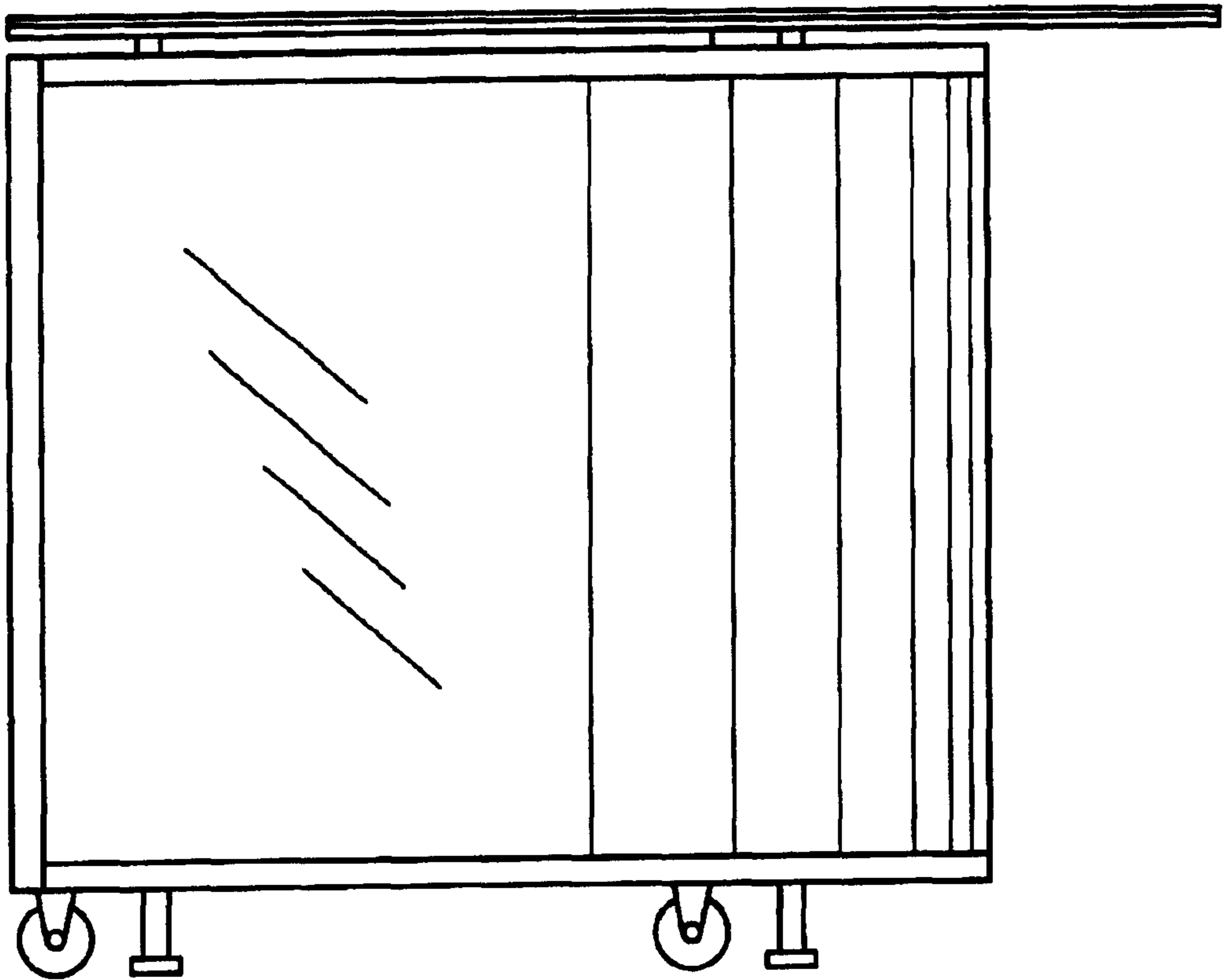


FIG. 2

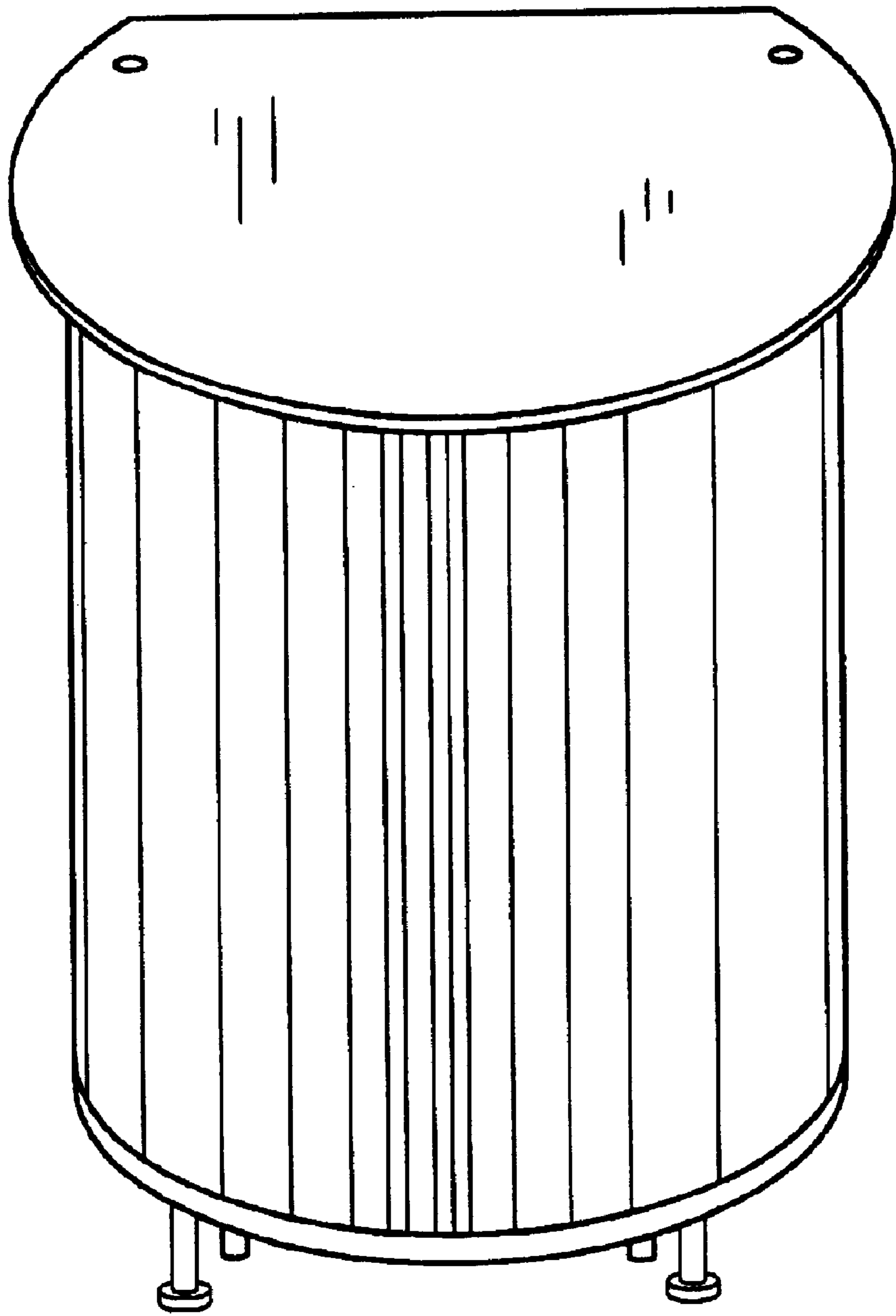


FIG. 3

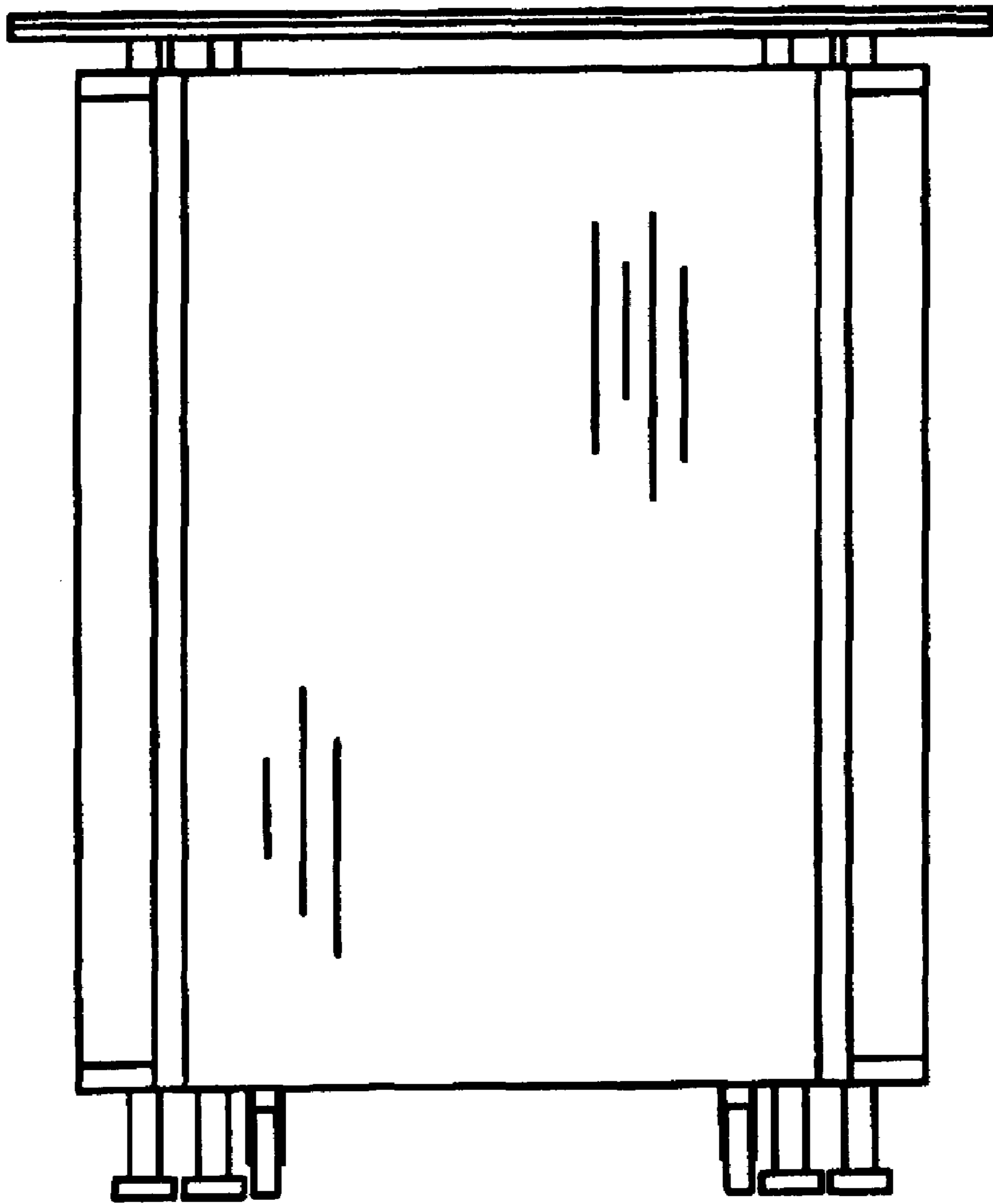


FIG. 4

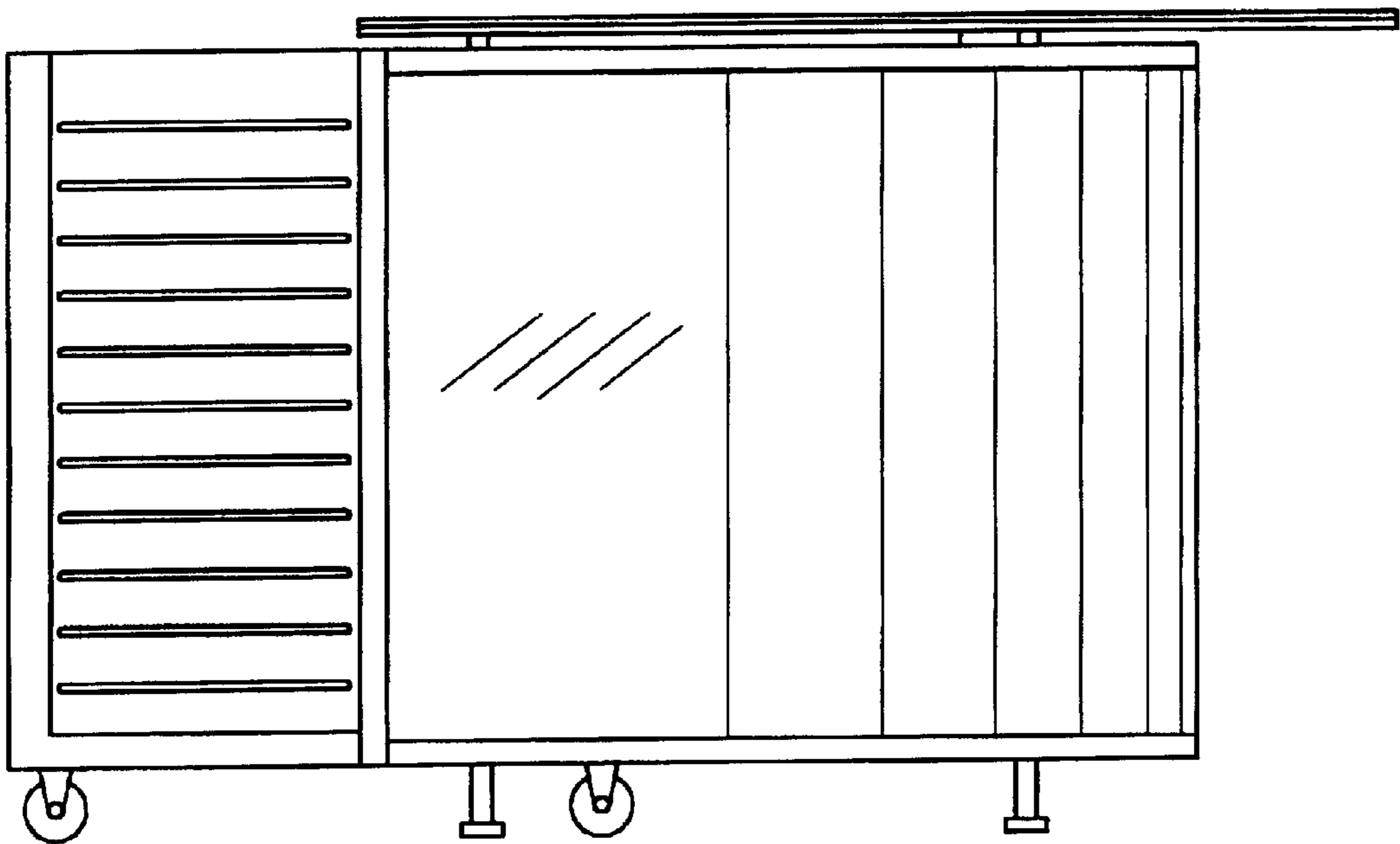


FIG. 5

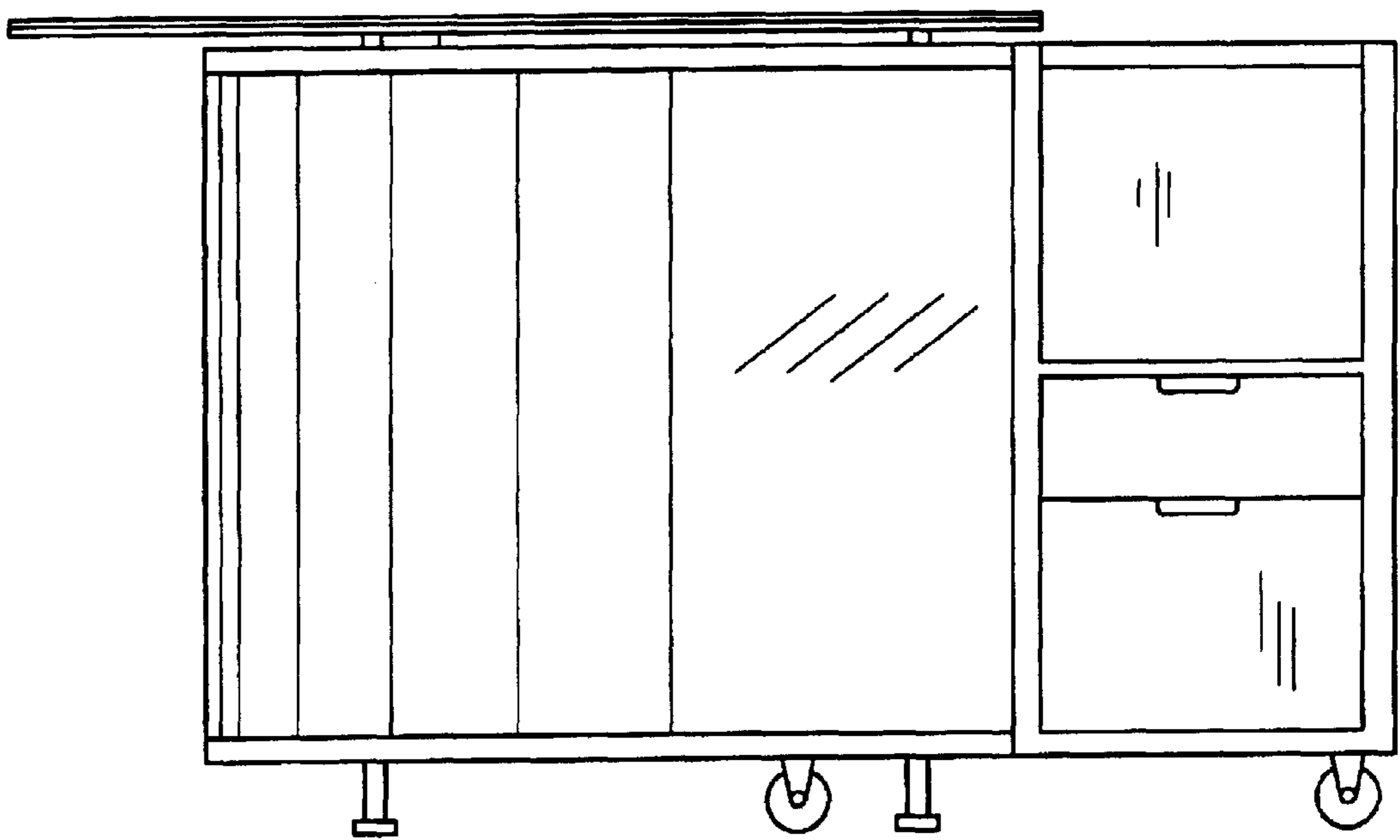


FIG. 6

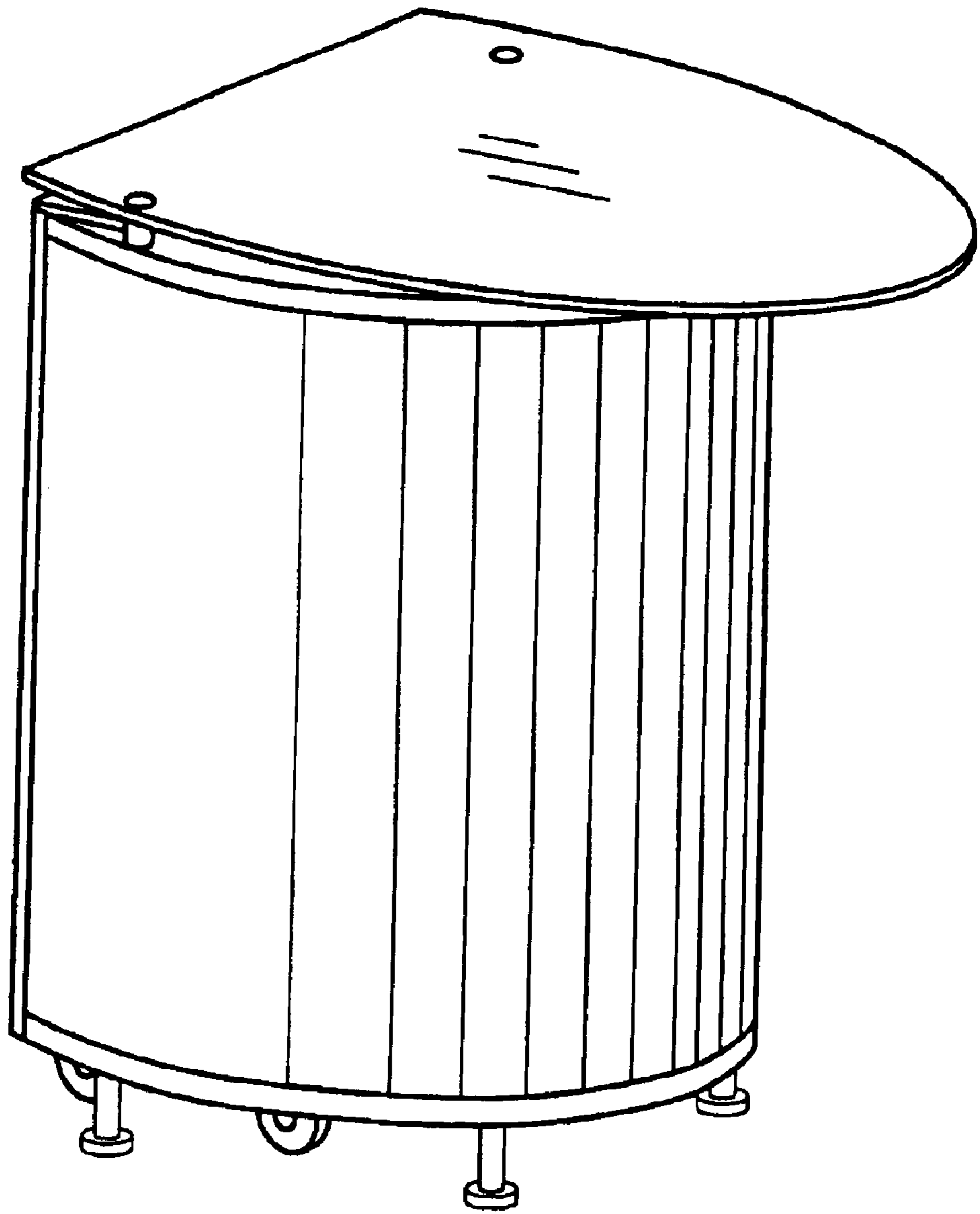


FIG. 7

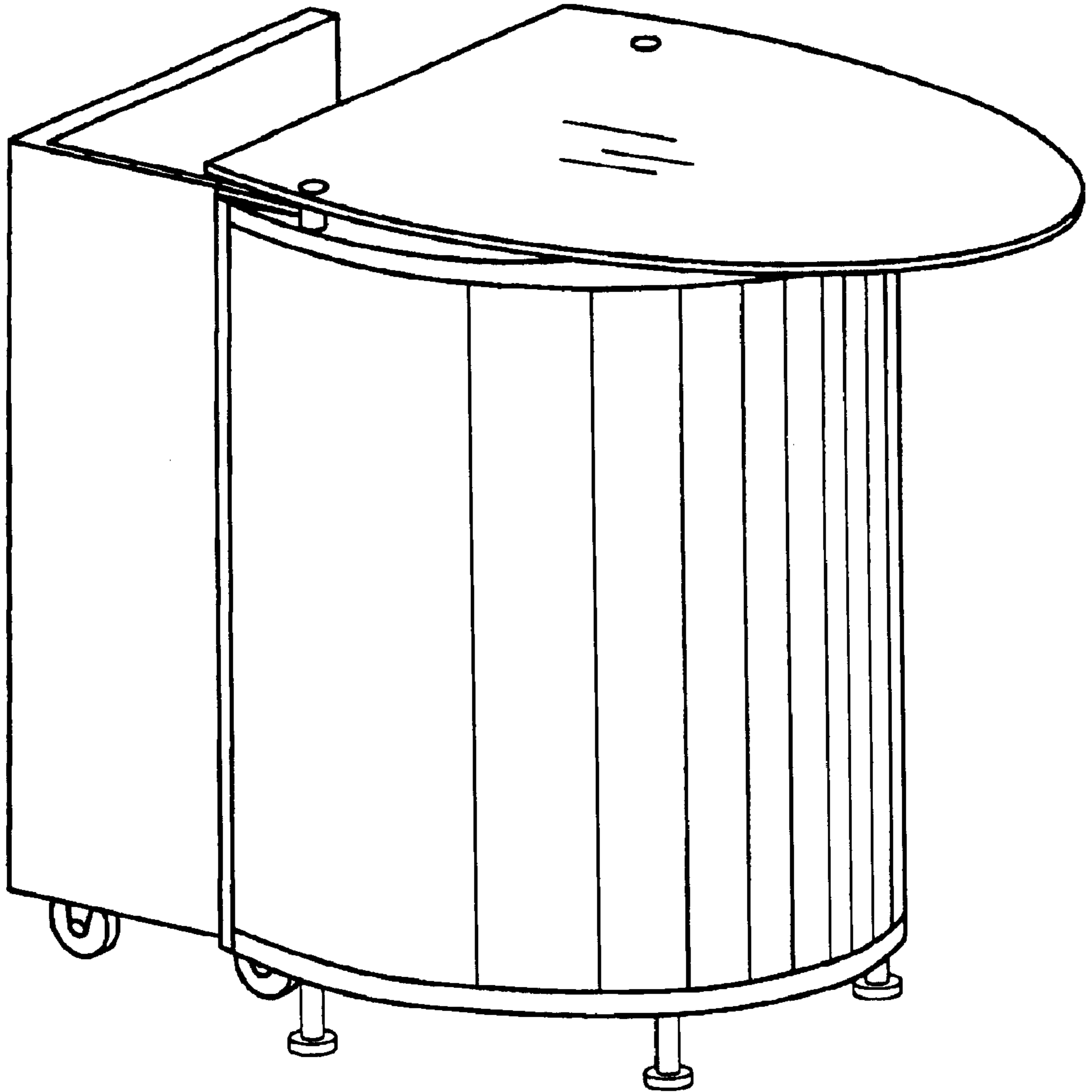


FIG. 8

UNITED STATES PATENT AND TRADEMARK OFFICE
CERTIFICATE OF CORRECTION

PATENT NO. : Des. 488,634 S
DATED : April 20, 2004
INVENTOR(S) : Claudia De Bruyn et al.

Page 1 of 1

It is certified that error appears in the above-identified patent and that said Letters Patent is hereby corrected as shown below:

Title page,

Item [57], **DESCRIPTION,**

“Figure 5 is a rear elevational view, showing the movable side unit completely rolled out”, should read -- Figure 5 is a rear elevational view, with a side unit rolled out in a working state --.

“Figure 6 is a front elevational view, showing the movable side unit completely rolled out”, should read -- Figure 6 is a front elevational view, with the side unit rolled out in a working state --.

“Figure 8 is a perspective view, showing the movable side unit completely rolled out”, should read -- Figure 8 is a perspective view, with the side unit rolled out in a working state --.

Signed and Sealed this

Twenty-third Day of August, 2005

A handwritten signature in black ink on a dotted background. The signature reads "Jon W. Dudas" in a cursive style.

JON W. DUDAS

Director of the United States Patent and Trademark Office