



US00D488630S

(12) **United States Design Patent**
McCann

(10) **Patent No.:** **US D488,630 S**

(45) **Date of Patent:** **** Apr. 20, 2004**

- (54) **STOOL**
- (75) Inventor: **Patrick McCann**, Highland, CA (US)
- (73) Assignee: **Virco Mgmt. Corporation**, Torrance, CA (US)
- (**) Term: **14 Years**
- (21) Appl. No.: **29/181,620**
- (22) Filed: **May 13, 2003**
- (51) **LOC (7) Cl.** **06-01**
- (52) **U.S. Cl.** **D6/366; D6/360**
- (58) **Field of Search** **D6/334, 335, 360, D6/364, 365, 366, 367, 375, 500, 501, 502; 297/344.18, 411.2, 445.1**

- D233,714 S 11/1974 Everard et al.
- D257,473 S 11/1980 Wilson
- D274,958 S * 8/1984 Aronowitz et al. D6/360
- D275,242 S 8/1984 Stephens
- D309,381 S 7/1990 Buhk
- D309,382 S 7/1990 Buhk
- D332,011 S 12/1992 Fahnstrom et al.
- D335,398 S 5/1993 Heidmann
- D357,592 S 4/1995 Kellen
- D376,924 S * 12/1996 Beaulieu D6/366
- D378,714 S * 4/1997 Beaulieu D6/366
- D414,618 S * 10/1999 Holbrook D6/375
- D433,829 S 11/2000 Barile et al.
- D433,830 S 11/2000 Barile et al.
- D460,281 S 7/2002 Shields et al.
- D468,918 S * 1/2003 de Blois D6/360
- D469,265 S * 1/2003 Holbrook et al. D6/366
- D474,039 S 5/2003 Zemp

- (56) **References Cited**
- U.S. PATENT DOCUMENTS**
- D56,169 S 8/1920 Jones et al.
- D59,222 S 10/1921 Headley
- D59,223 S 10/1921 Headley
- D77,756 S 2/1929 Dyer
- D86,879 S 5/1932 Easterday
- D114,435 S 4/1939 Berna
- D137,904 S 5/1944 Dieter
- D162,854 S 4/1951 Lumley
- D174,695 S 5/1955 Kipp
- D202,426 S 9/1965 Jakobsen
- D206,118 S 11/1966 Bates
- D206,323 S 11/1966 Kasparian
- D206,713 S 1/1967 Durko
- D215,429 S 9/1969 Sickler
- D230,668 S 3/1974 Johnson
- D232,879 S 9/1974 Sanhammer
- D232,880 S 9/1974 Sanhammer
- D233,713 S 11/1974 Ruoslahti

* cited by examiner

Primary Examiner—Gary D. Watson
 (74) *Attorney, Agent, or Firm*—Robert M. Hupe; Virco Mgmt. Corporation

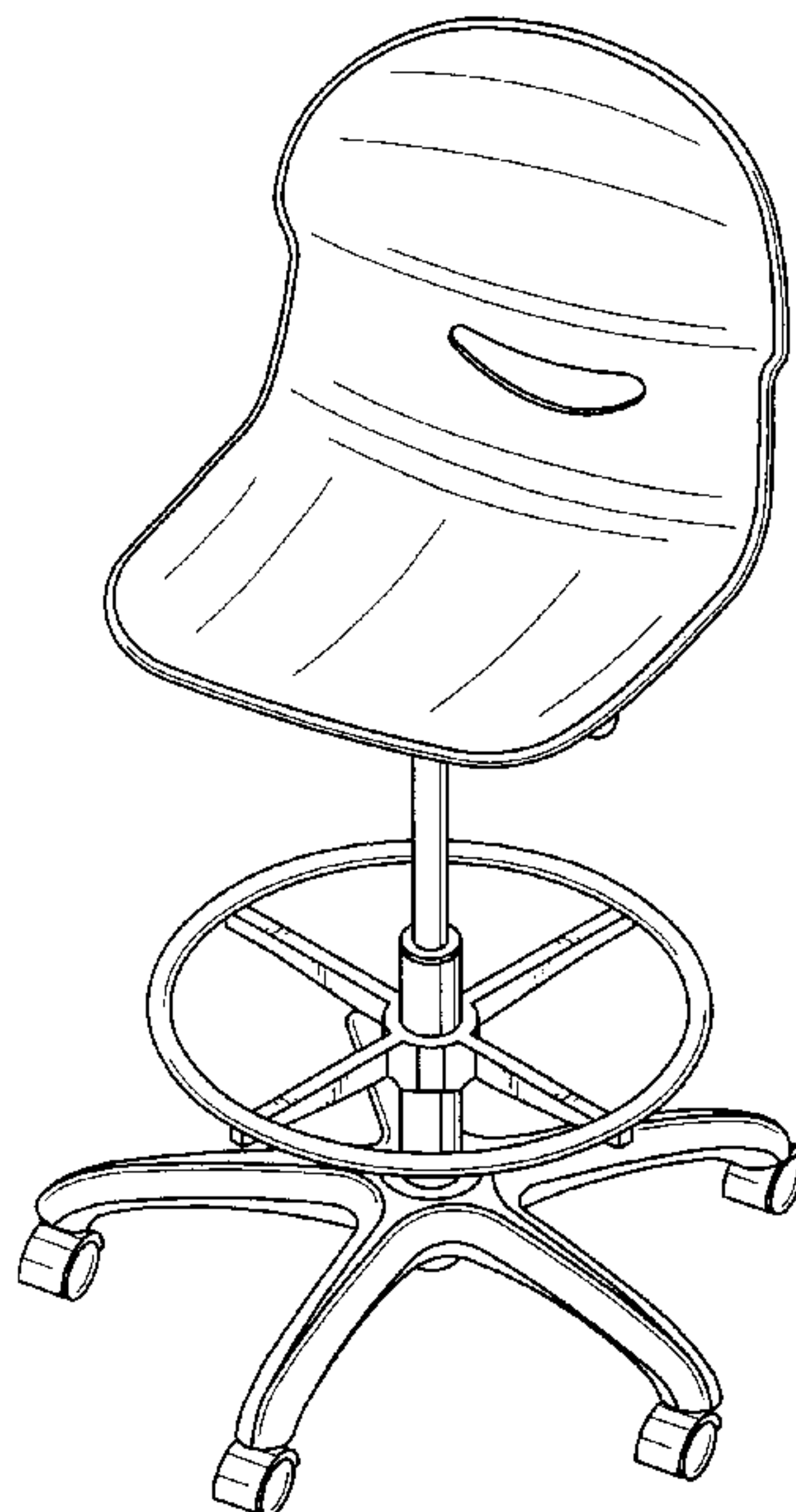
(57) **CLAIM**

The ornamental design for a “stool”, as shown and described.

DESCRIPTION

FIG. 1 is a perspective view of a chair showing my new design;
 FIG. 2 is a front elevation at view thereof;
 FIG. 3 is a back elevational view thereof;
 FIG. 4 is a side view thereof, the opposite side view being a mirror image thereof;
 FIG. 5 a top view thereof; and,
 FIG. 6 is a bottom view thereof.

1 Claim, 3 Drawing Sheets



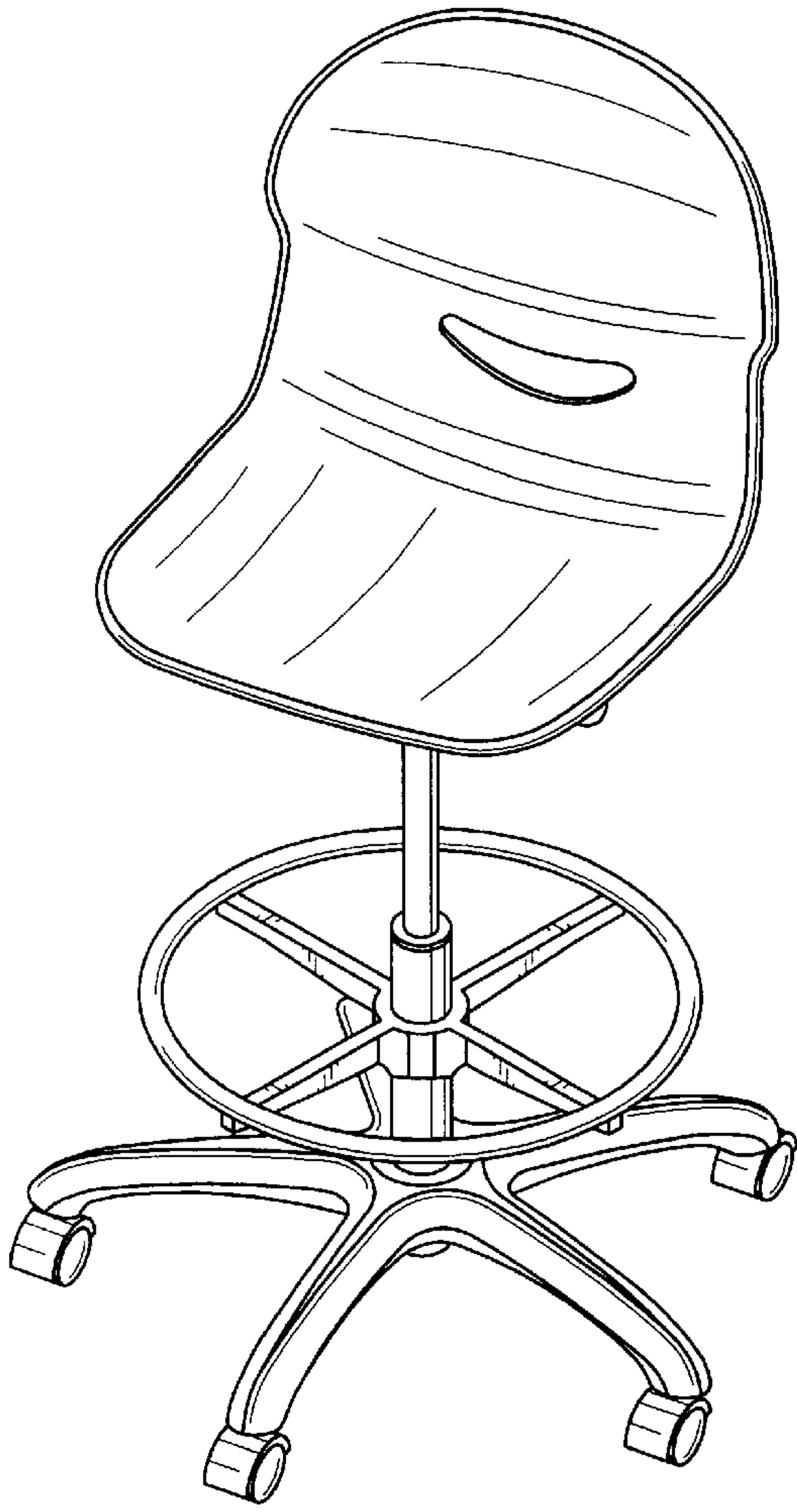


FIG. 1

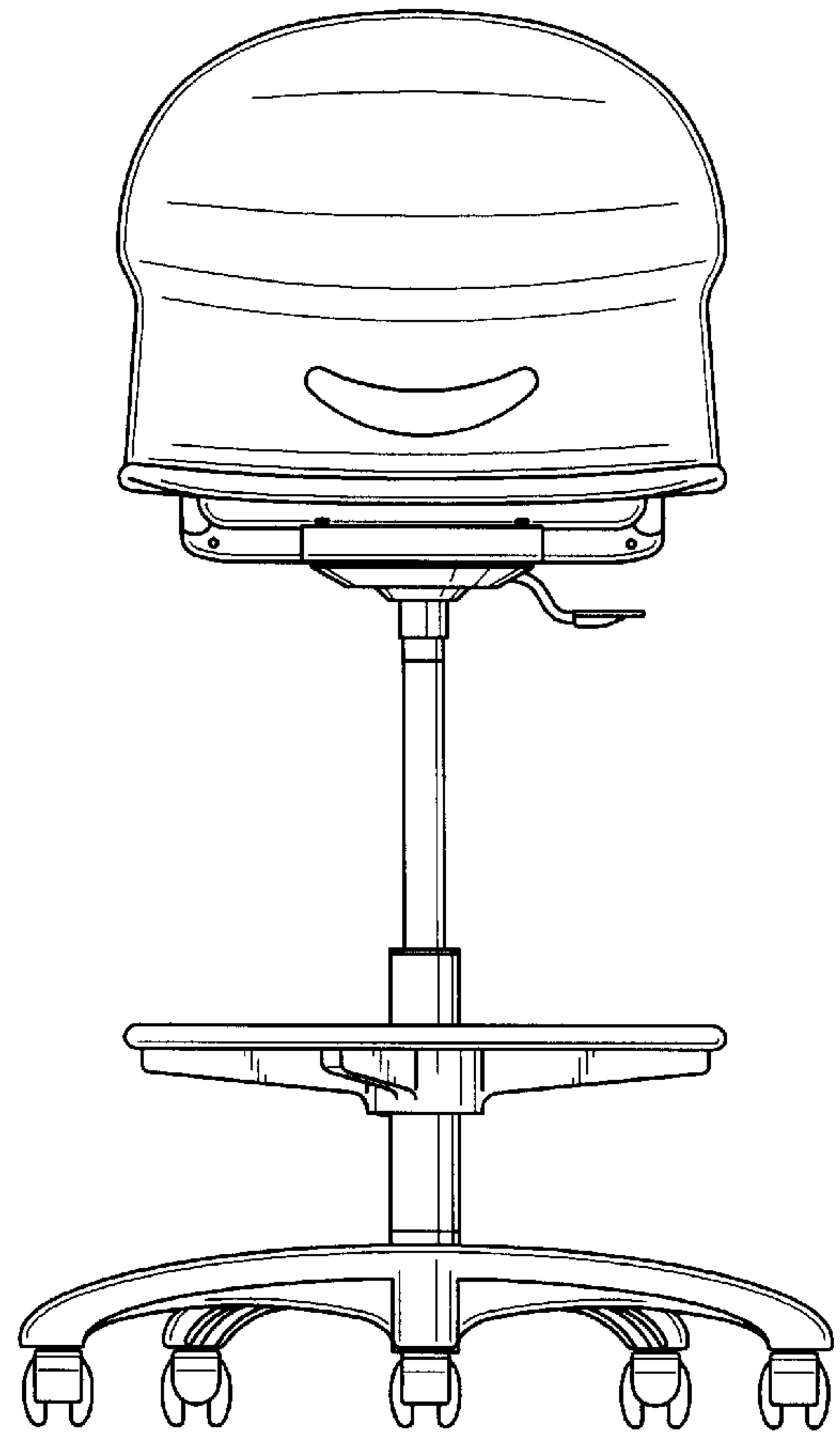


FIG. 2

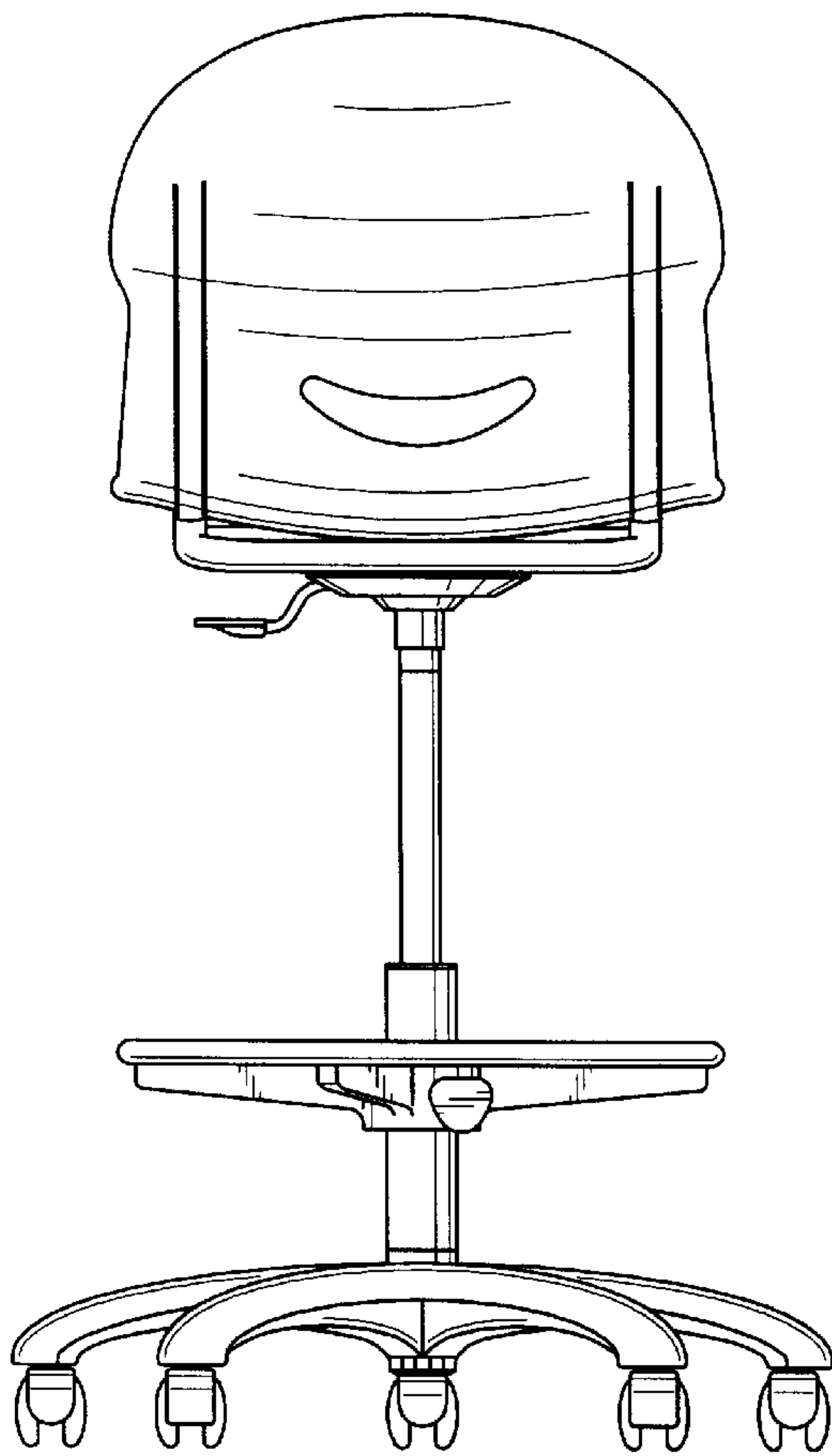


FIG. 3

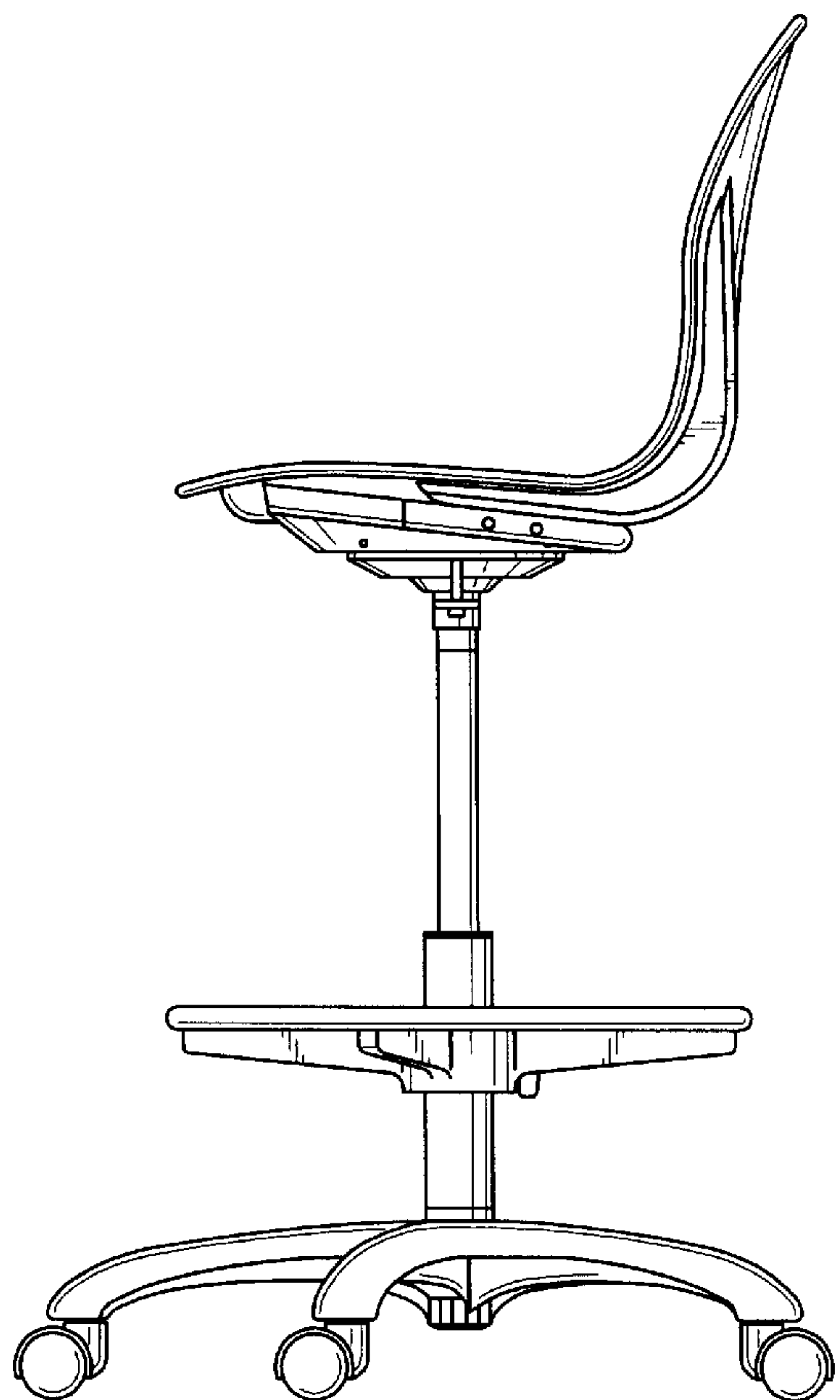


FIG. 4

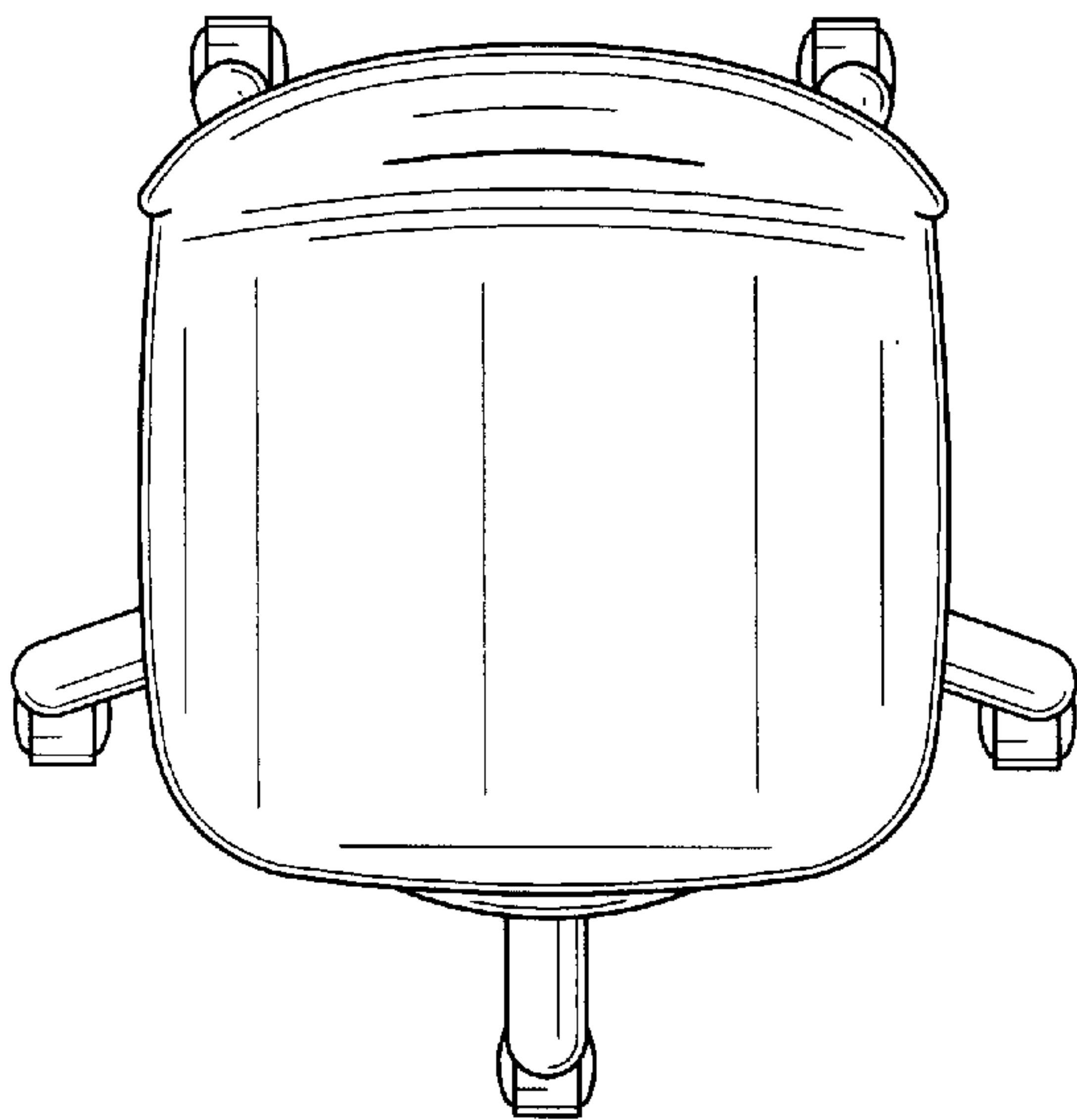


FIG. 5

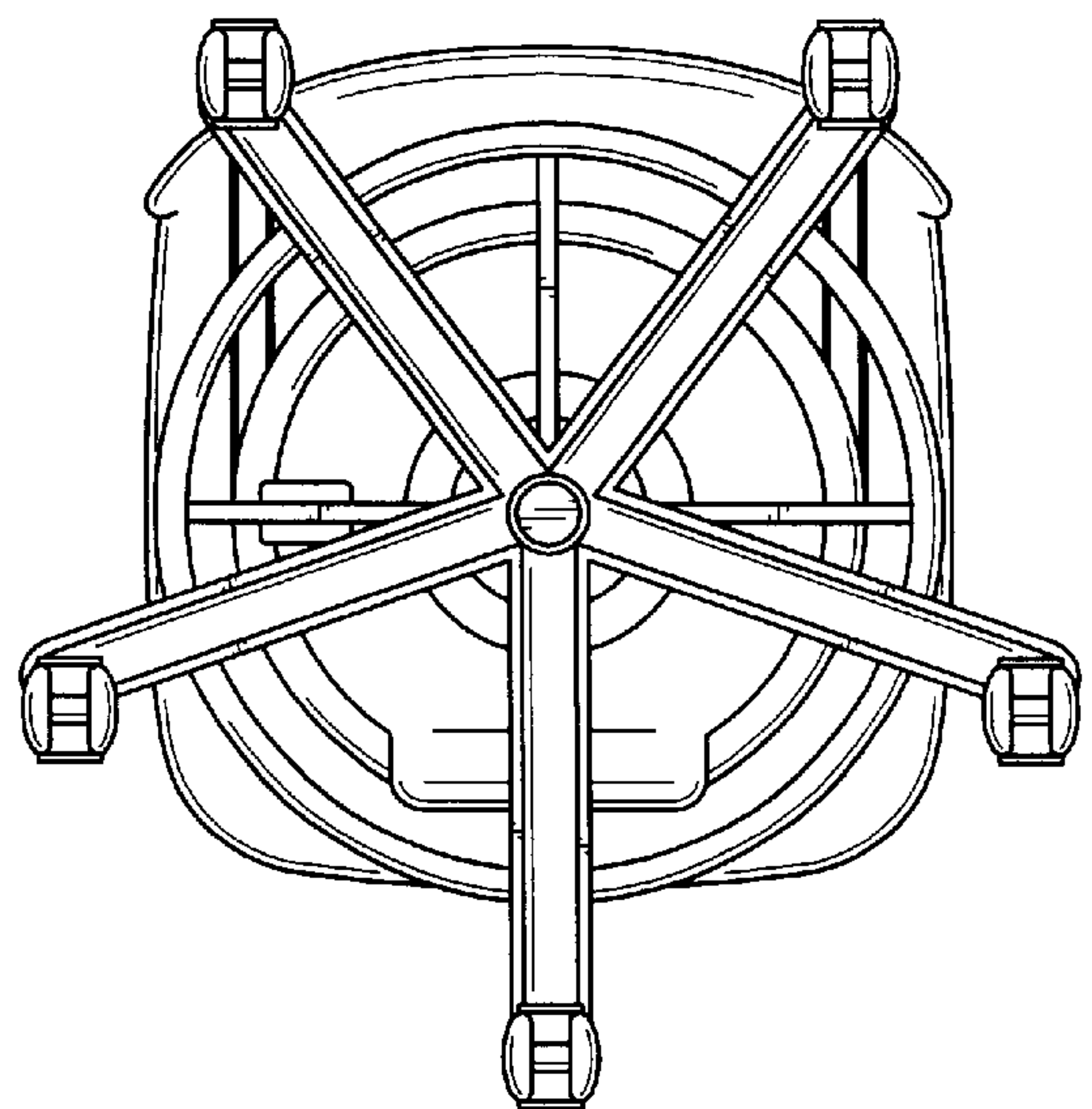


FIG. 6