



US00D488627S

(12) **United States Design Patent**
Stravitz

(10) **Patent No.:** **US D488,627 S**

(45) **Date of Patent:** **** Apr. 20, 2004**

(54) **DISPLAY FRAME**

4,065,091 A * 12/1977 Ulrich 248/473
D278,496 S * 4/1985 Hausman D6/310
D476,818 S * 7/2003 Stravitz D6/300

(76) Inventor: **David M. Stravitz**, 16 Park Ave. -
Suite 14A, New York, NY (US) 10016

(**) Term: **14 Years**

(21) Appl. No.: **29/179,304**

(22) Filed: **Apr. 8, 2003**

Related U.S. Application Data

(62) Division of application No. 29/152,861, filed on Oct. 25,
2001, now Pat. No. Des. 476,818.

(51) **LOC (7) Cl.** **06-07**

(52) **U.S. Cl.** **D6/314; D6/470**

(58) **Field of Search** D6/300-303, 308-314,
D6/466, 470; 40/700, 714, 715, 721, 722,
725, 735, 737-739, 796, 798, 800, 724,
759, 765, 766, 767; 248/489, 450

(56) **References Cited**

U.S. PATENT DOCUMENTS

2,402,717 A * 6/1946 Winer D6/300
D183,774 S 10/1958 Stefanakis
2,952,431 A 9/1960 Pedley
D196,368 S * 9/1963 Isaia D6/314
D198,853 S 8/1964 Hoshour

OTHER PUBLICATIONS

Display Innovations in Acrylic, p. 4, Sign holder at top and
center.*

* cited by examiner

Primary Examiner—Janice E. Seeger

(74) *Attorney, Agent, or Firm*—Frishauf, Holtz, Goodman
& Chick, P.C.

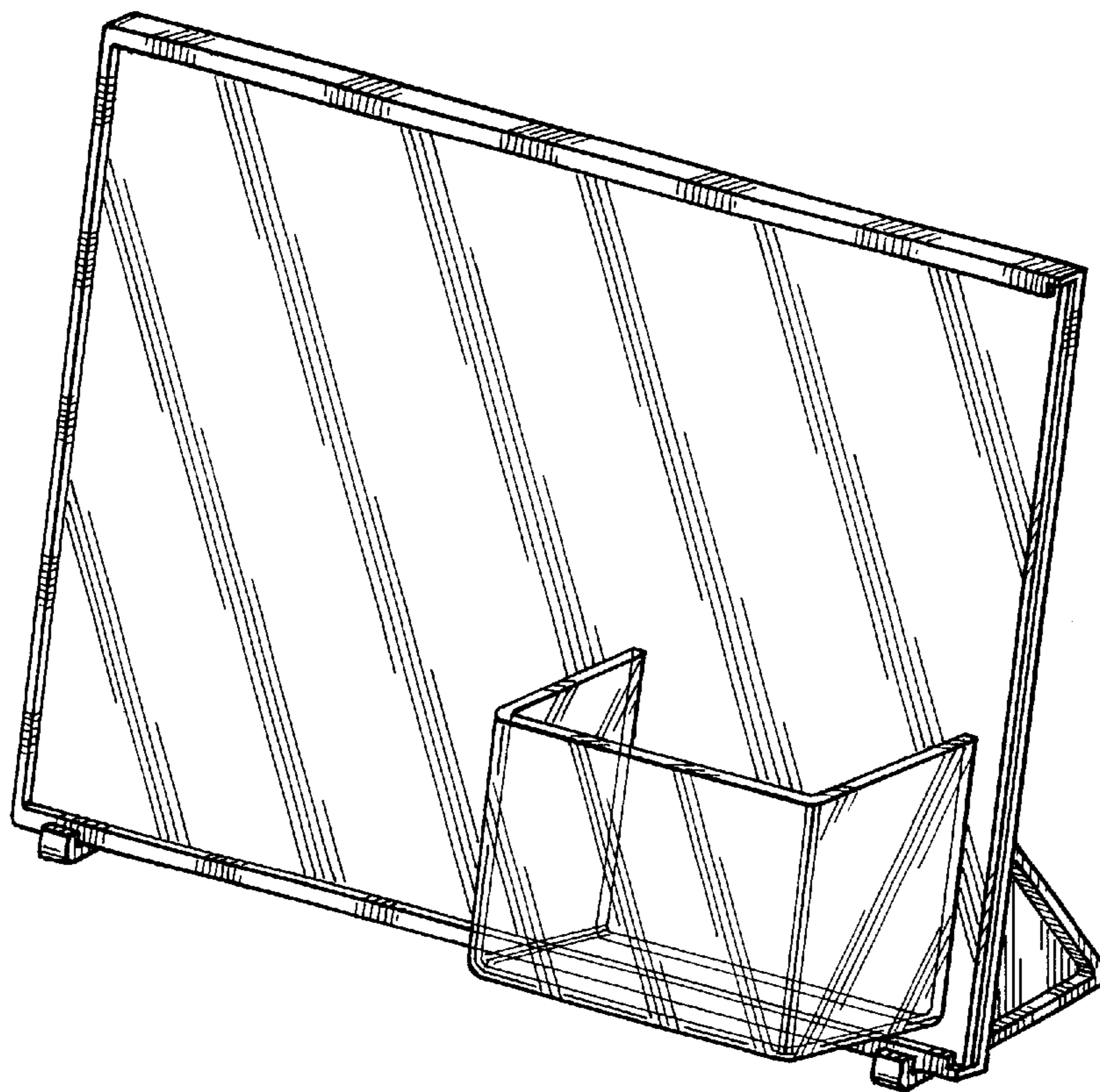
(57) **CLAIM**

The ornamental design for a display frame, as shown and
described.

DESCRIPTION

FIG. 1 is a top, front, right side perspective view of a display
frame showing my new design;
FIG. 2 is a front elevational view thereof, with the display
frame in an upright orientation;
FIG. 3 is a left side elevational view thereof;
FIG. 4 is a right side elevational view thereof;
FIG. 5 is a top plan view thereof;
FIG. 6 is a bottom plan view thereof; and,
FIG. 7 is a rear elevational view thereof.

1 Claim, 3 Drawing Sheets



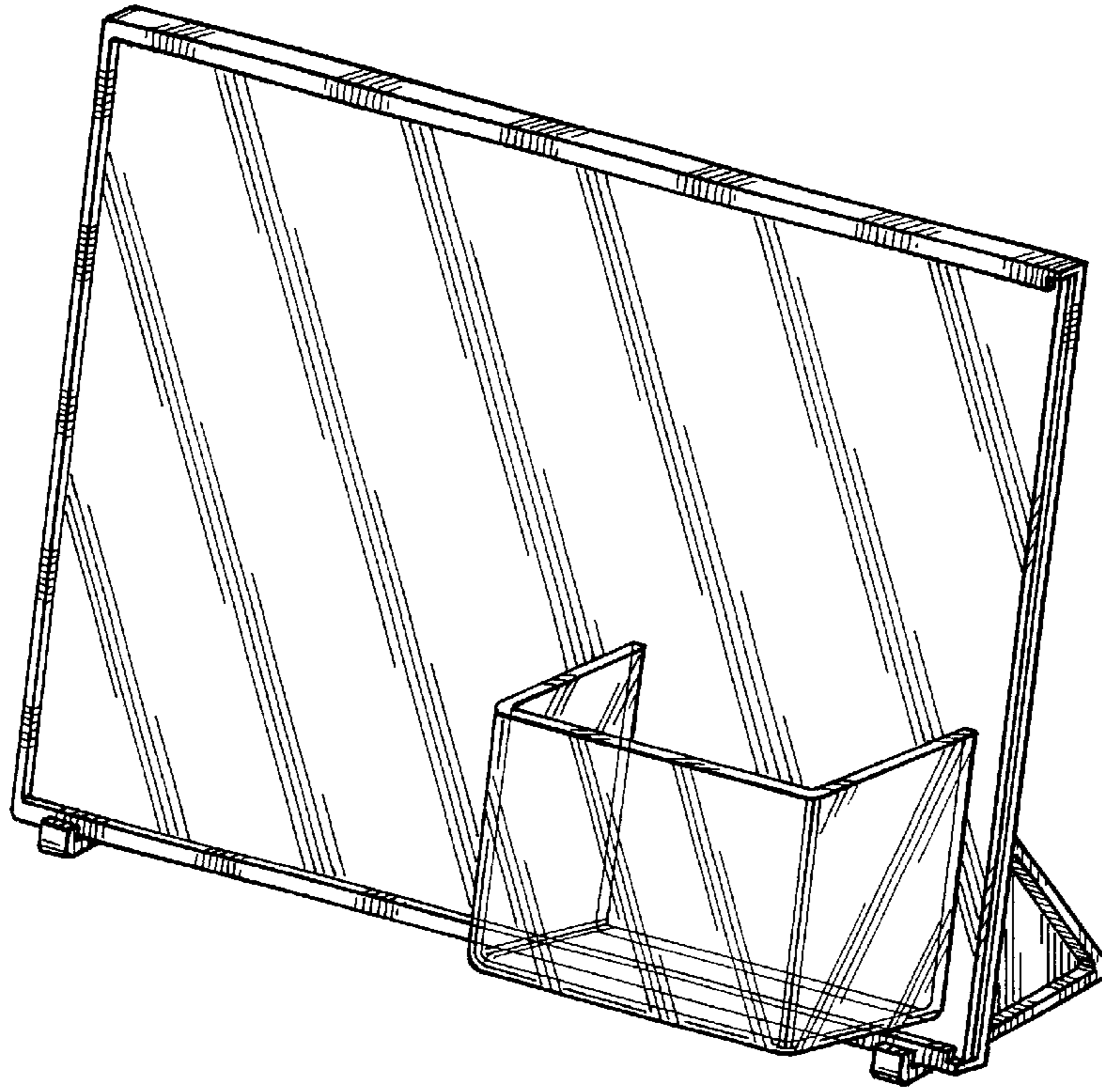


Fig. 1

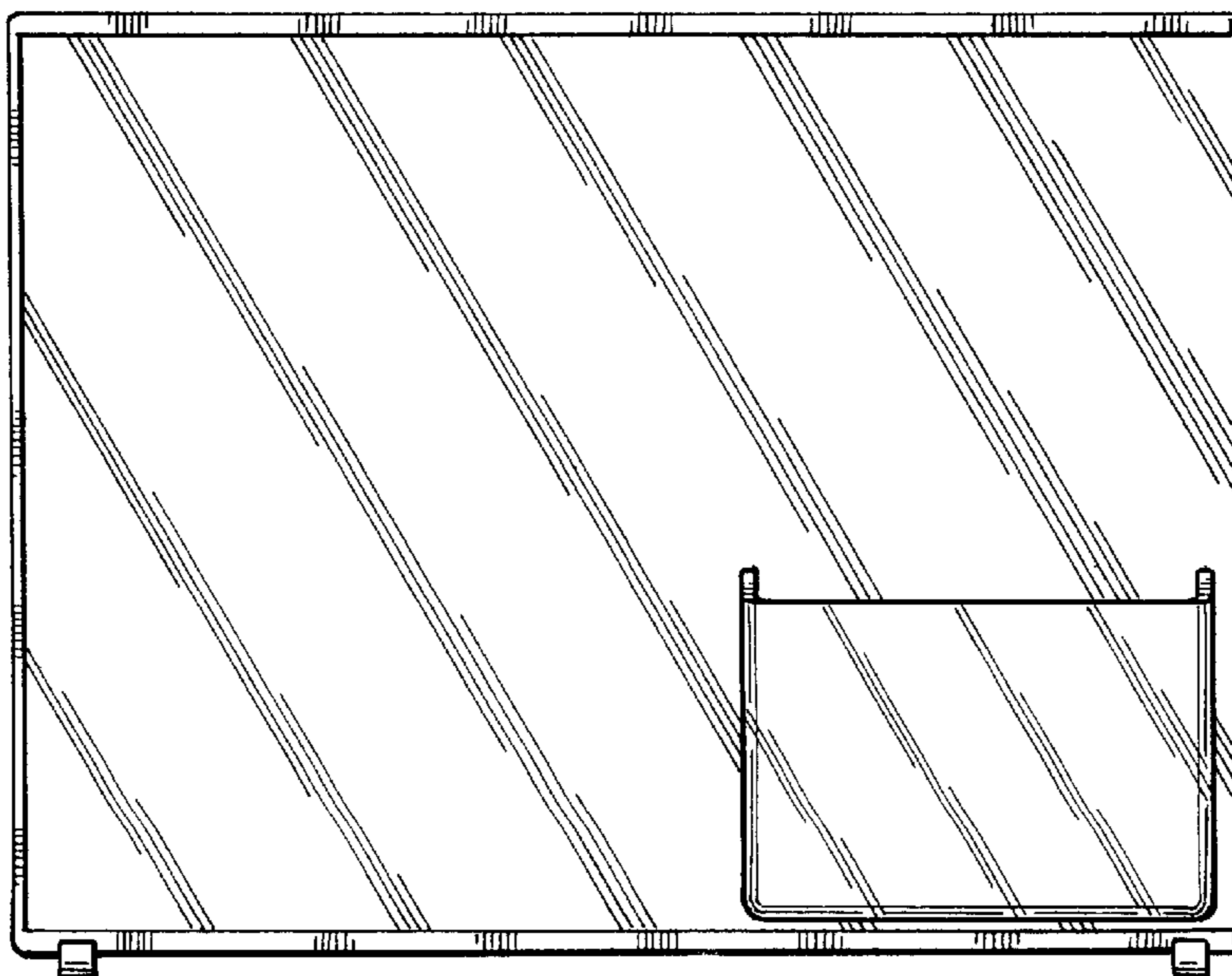


Fig. 2

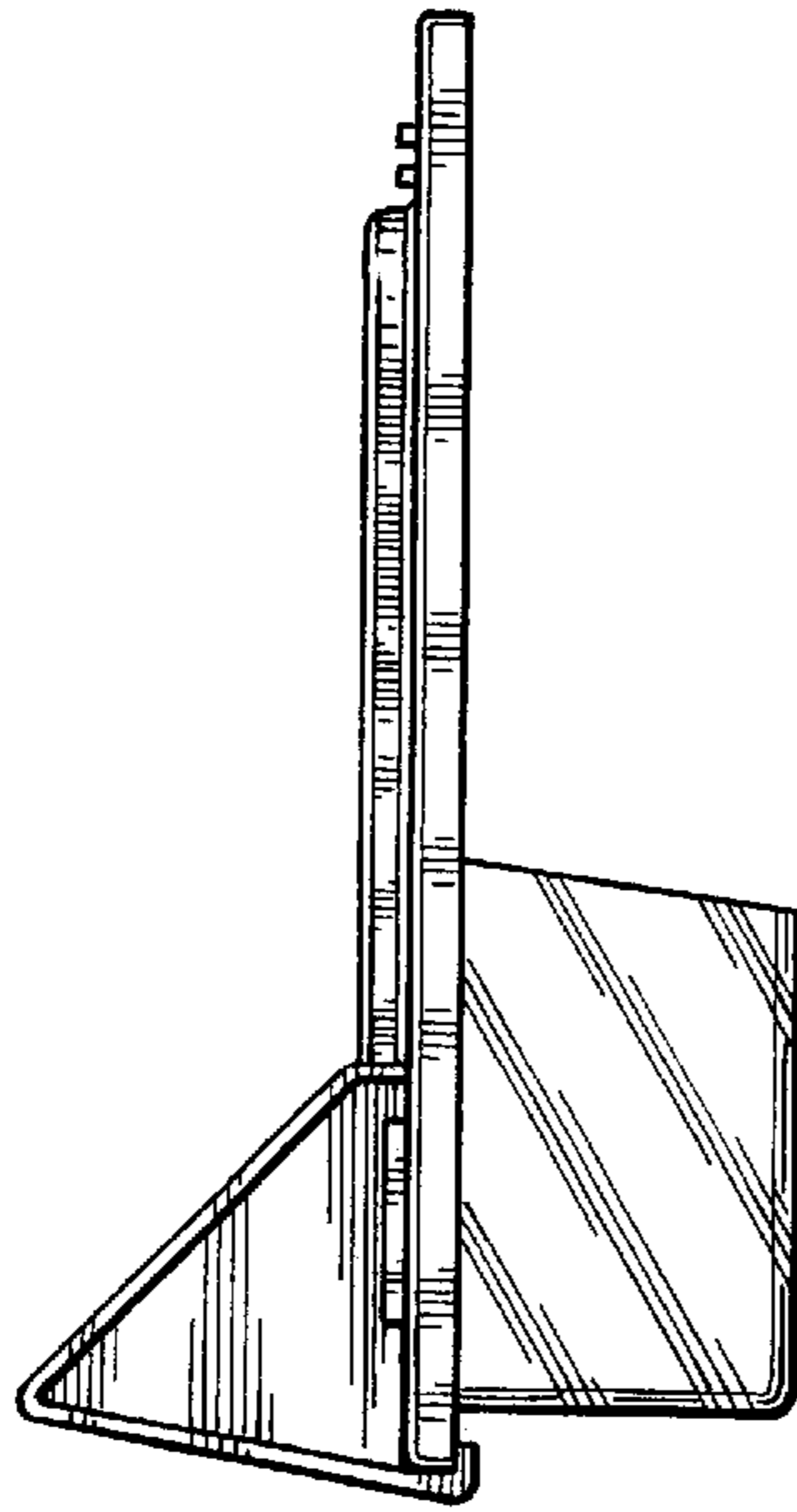


Fig. 3

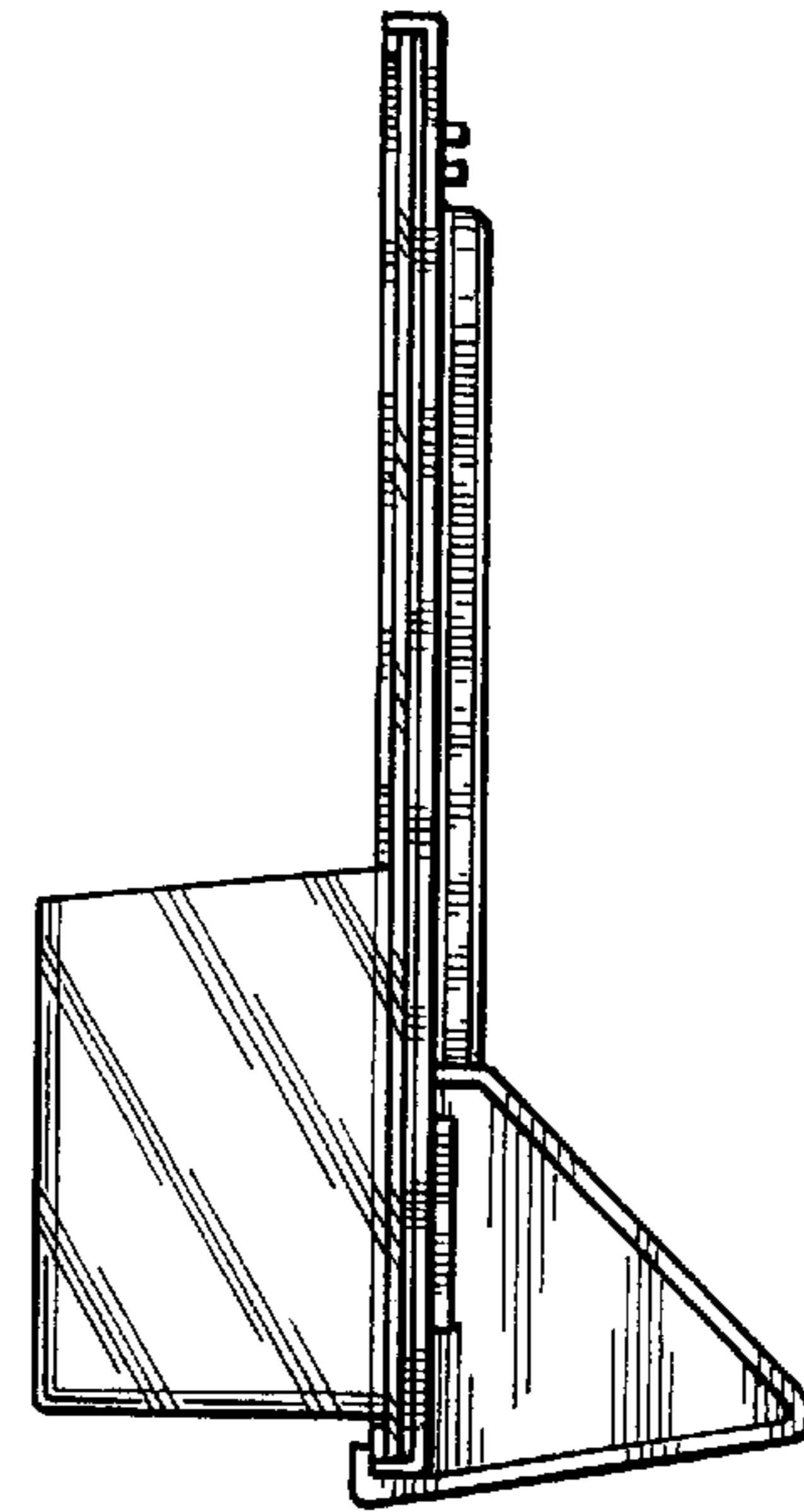


Fig. 4

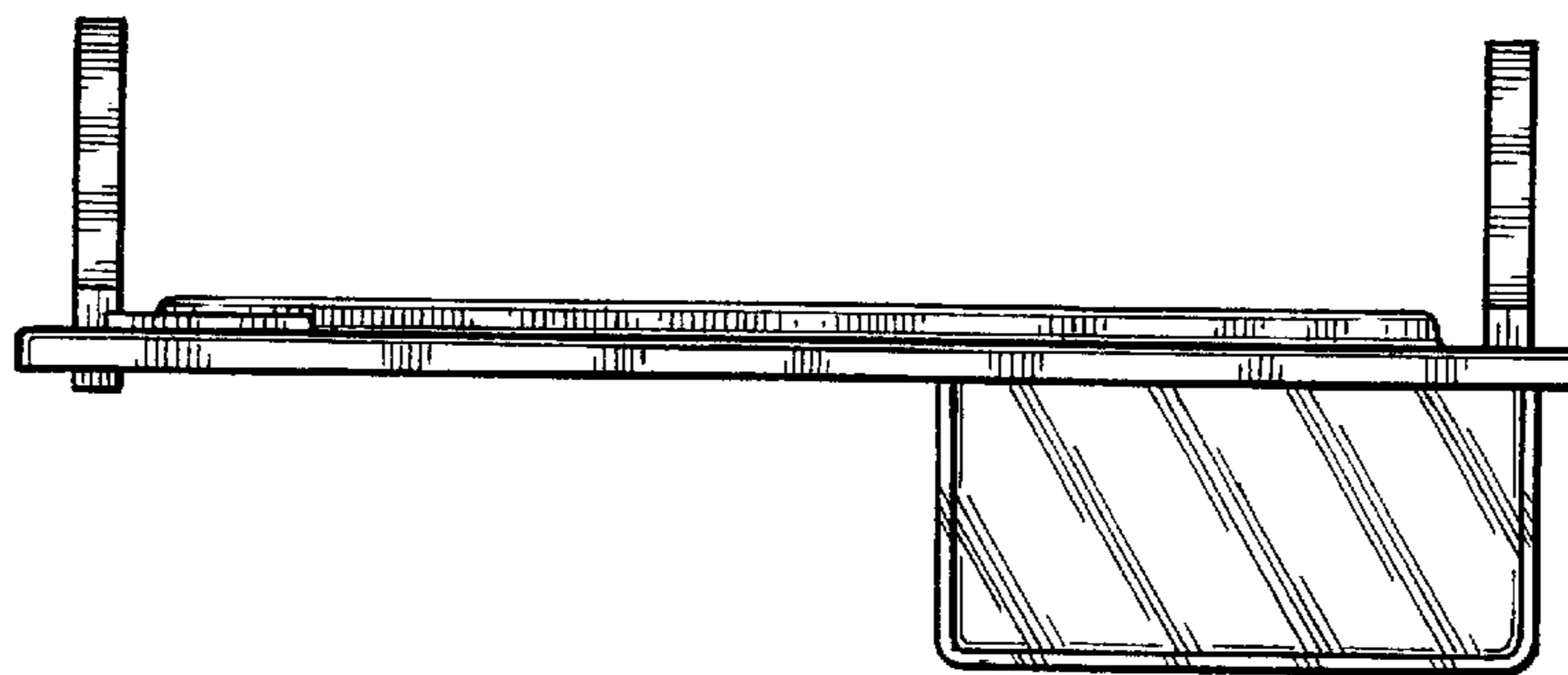


Fig. 5

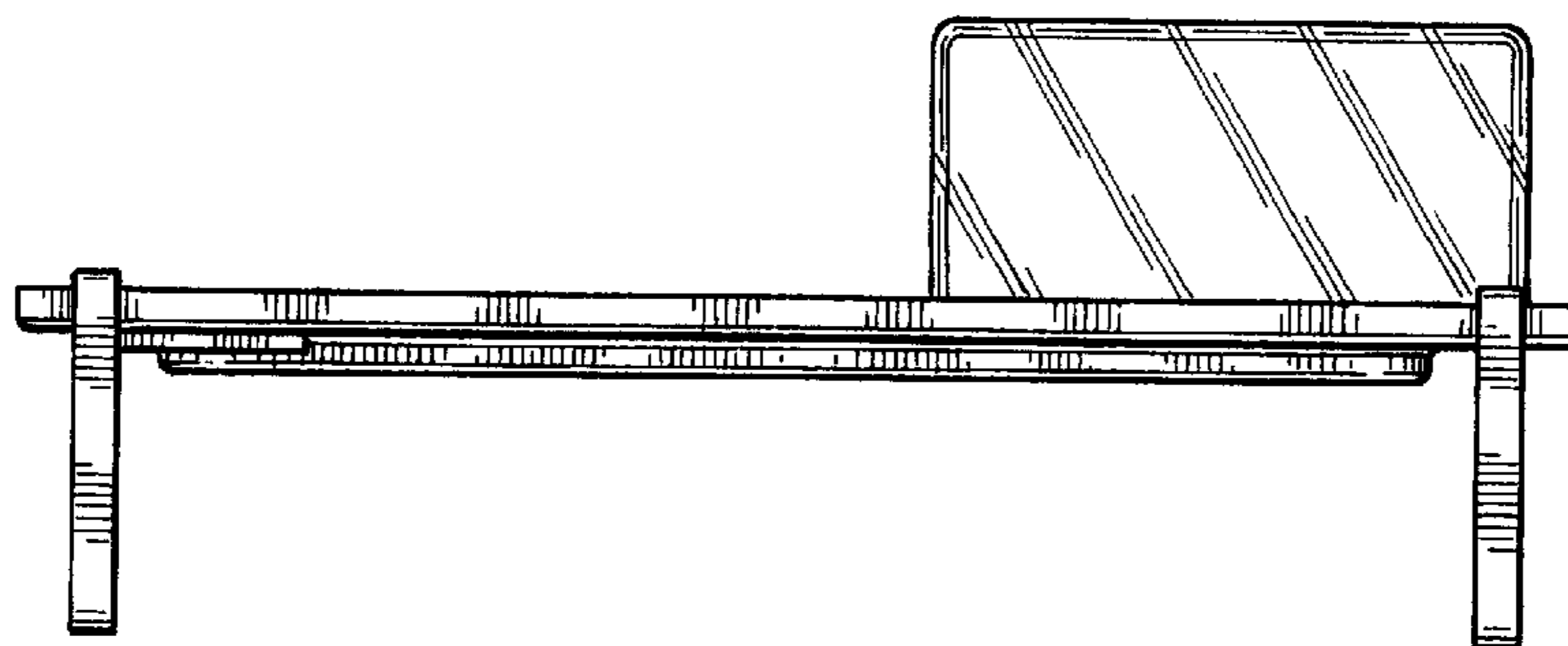


Fig. 6

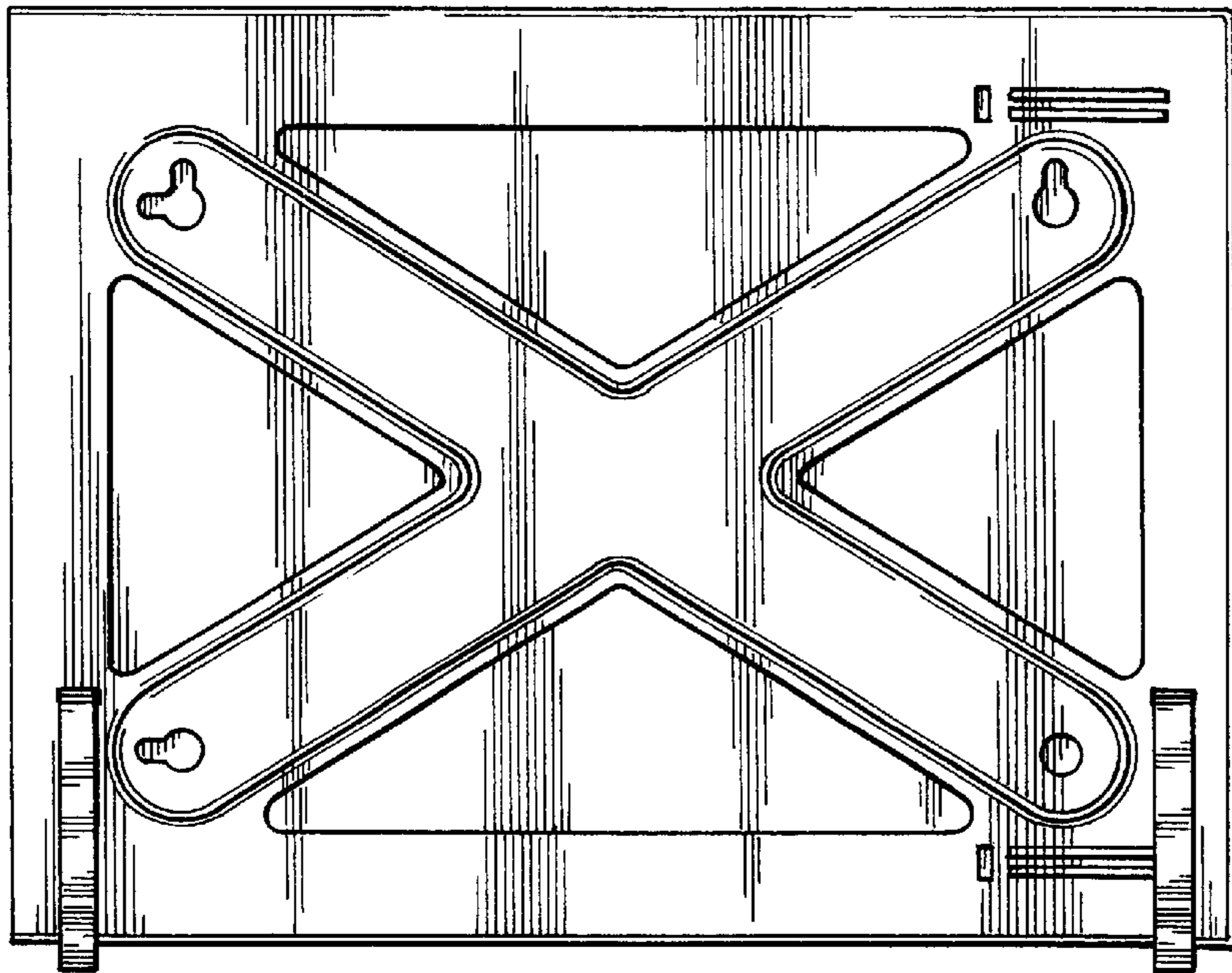


Fig. 7