



US00D488618S

(12) **United States Design Patent**
Wekstein

(10) **Patent No.:** **US D488,618 S**

(45) **Date of Patent:** **** Apr. 20, 2004**

(54) **PILL CONTAINER**

(76) Inventor: **Ted Wekstein**, 48 Horseshoe Hill Rd.,
Pound Ridge, NY (US) 10576

(**) Term: **14 Years**

(21) Appl. No.: **29/182,683**

(22) Filed: **May 29, 2003**

(51) **LOC (7) Cl.** **03-01**

(52) **U.S. Cl.** **D3/203**

(58) **Field of Search** D3/201–205, 302,
D3/273; D28/1–8, 78–82; D9/341, 448,
347, 339; 206/533, 534, 538, 704

(56) **References Cited**

U.S. PATENT DOCUMENTS

D163,648 S	*	6/1951	Smoot	D3/302
5,762,199 A	*	6/1998	Aguilera	206/533
D439,011 S	*	3/2001	Linnette	D28/7
D458,016 S	*	6/2002	Christianson	D3/203
D463,102 S	*	9/2002	Rosado et al.	D3/203

* cited by examiner

Primary Examiner—Catherine R. Oliver

(74) *Attorney, Agent, or Firm*—DeLio & Peterson LLC;
Peter W. Peterson

(57) **CLAIM**

I claim the ornamental design for a “pill container”, as shown and described herein.

DESCRIPTION

FIG. 1 is a perspective view of the pill container design of this invention.

FIG. 2 is a top plan view of the pill container of this invention shown in FIG. 1.

FIG. 3 is a front elevational view of the pill container of this invention shown in FIG. 1.

FIG. 4 is a rear elevational view of the pill container of this invention shown in FIG. 1.

FIG. 5 is a left side elevational view of the pill container of this invention shown in FIG. 1.

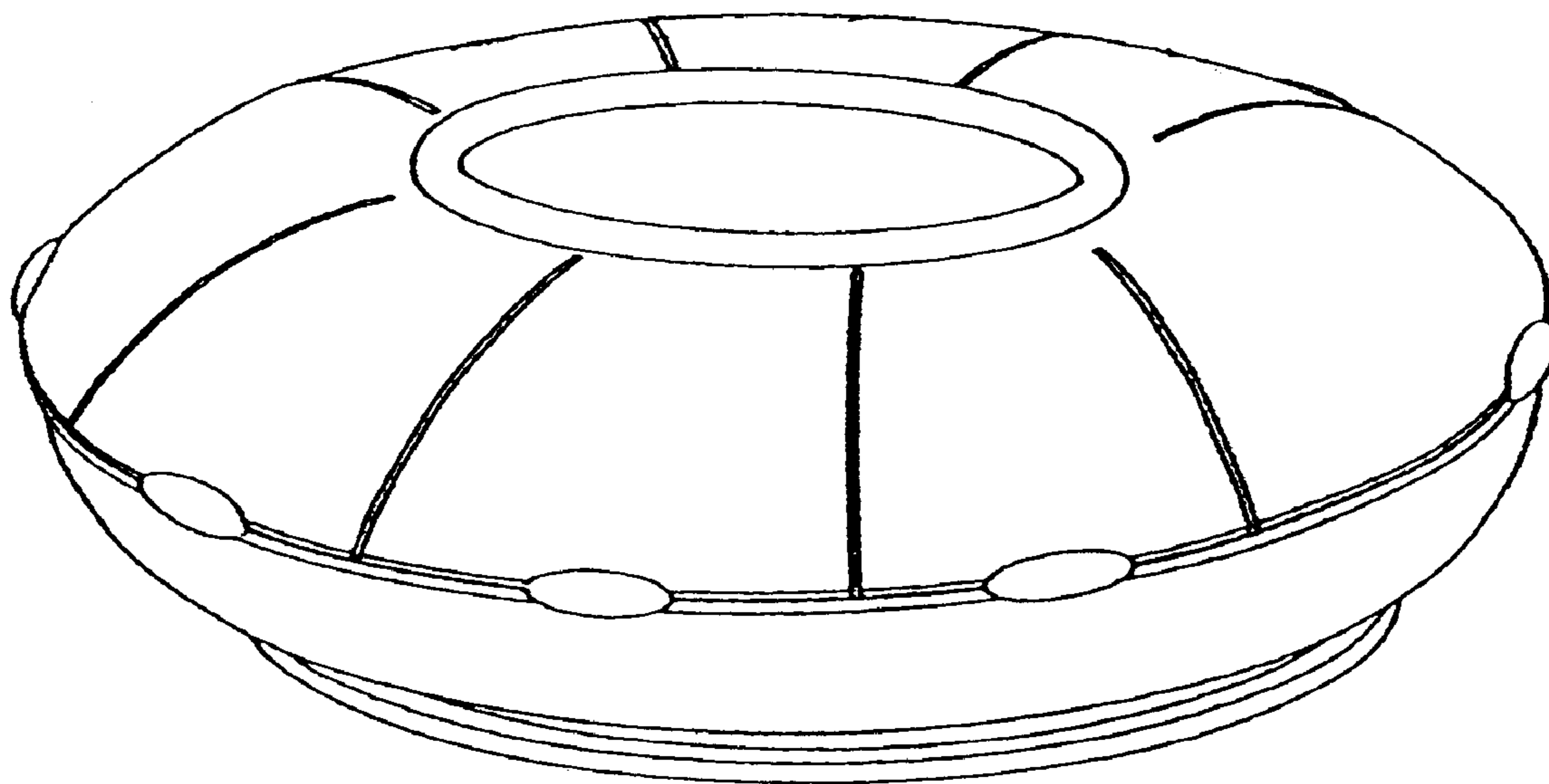
FIG. 6 is a right side elevational view of the pill container of this invention shown in FIG. 1.

FIG. 7 is a bottom plan view of the pill container of this invention shown in FIG. 1.

FIG. 8 is an exploded top perspective view of the pill container of this invention shown in FIG. 1; and,

FIG. 9 is an exploded bottom perspective view of the pill container of this invention shown in FIG. 1.

1 Claim, 3 Drawing Sheets



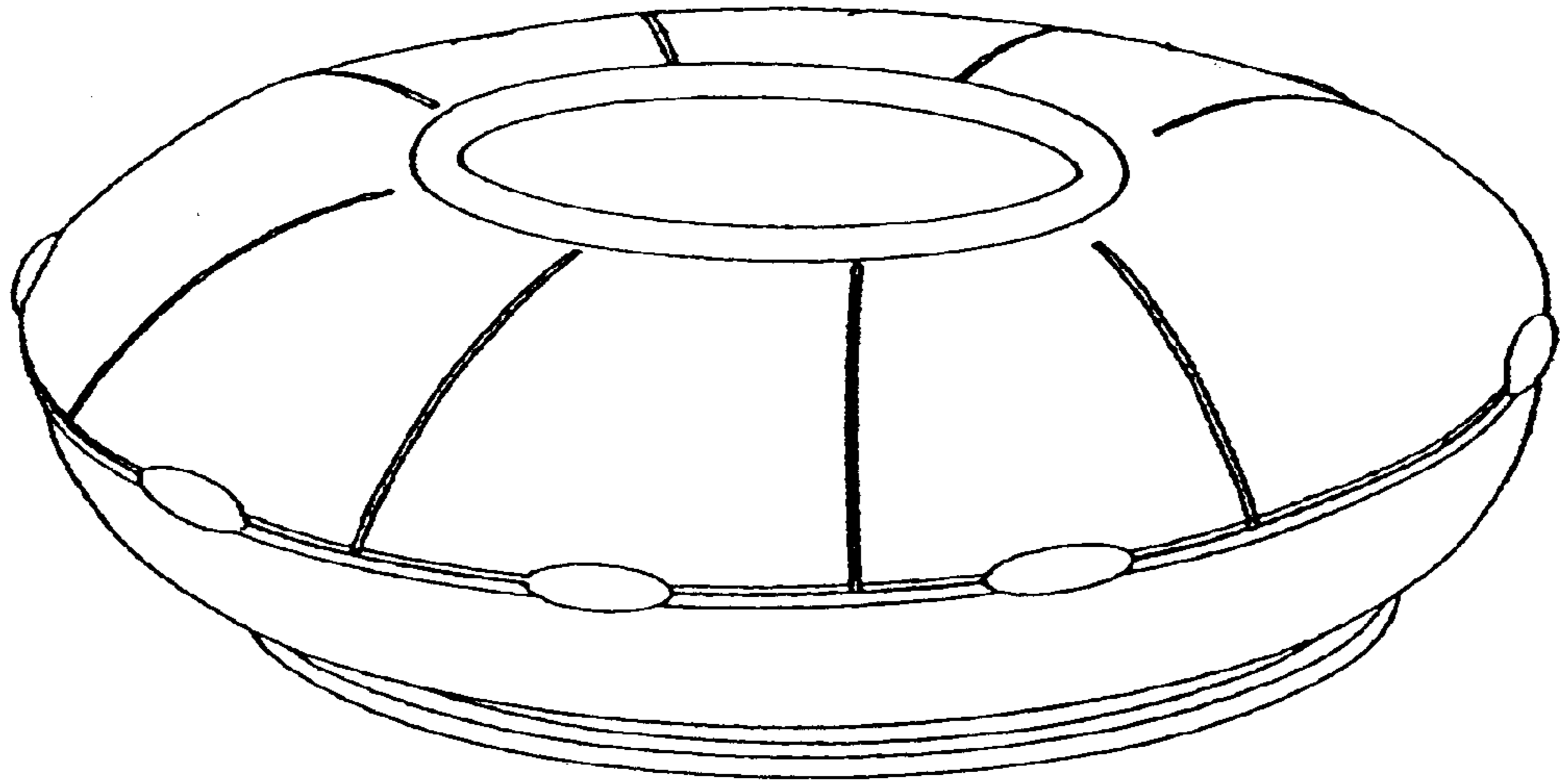


Fig. 1

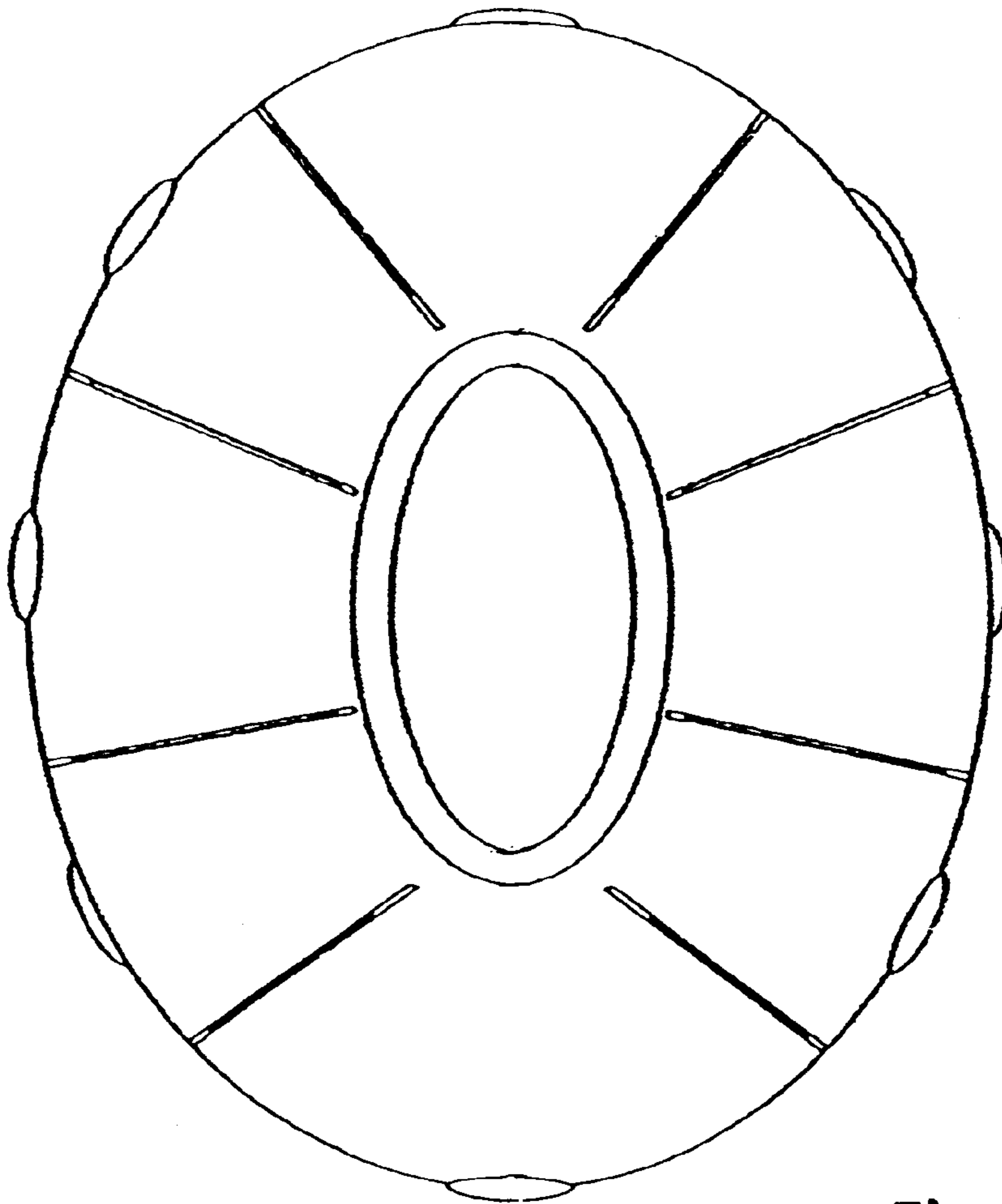


Fig. 2

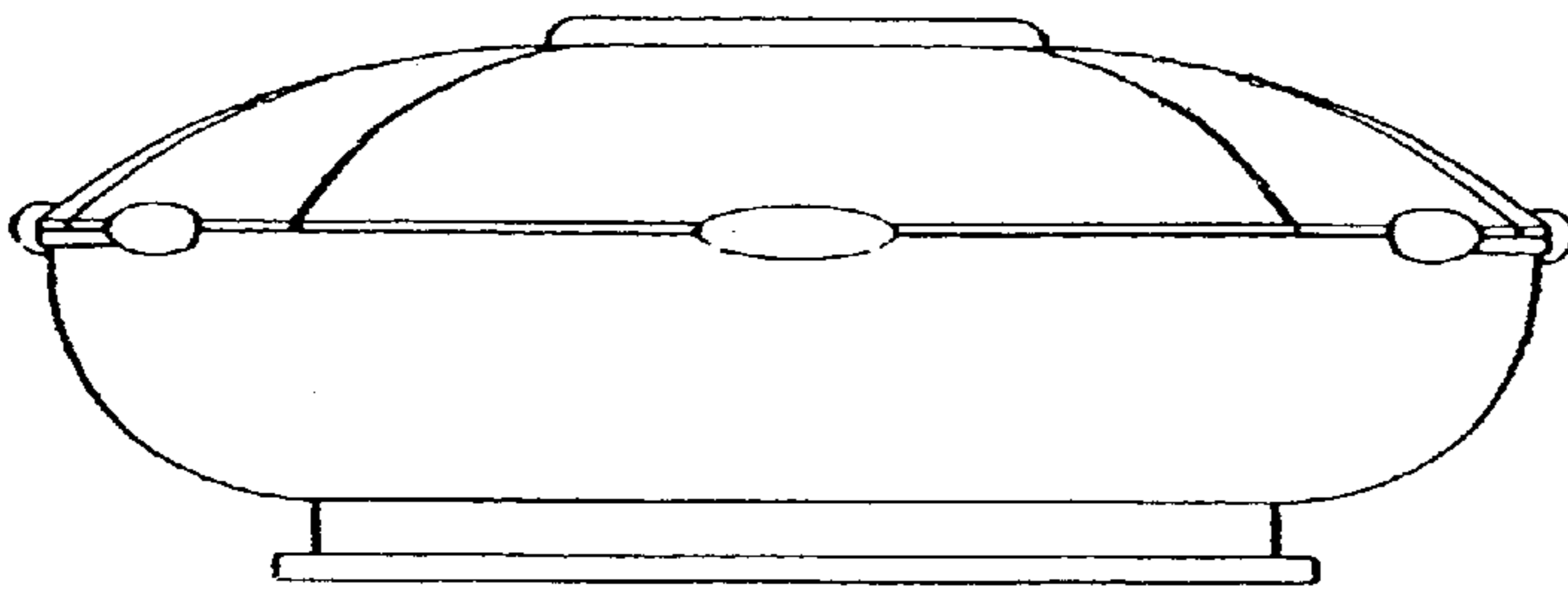


Fig. 3

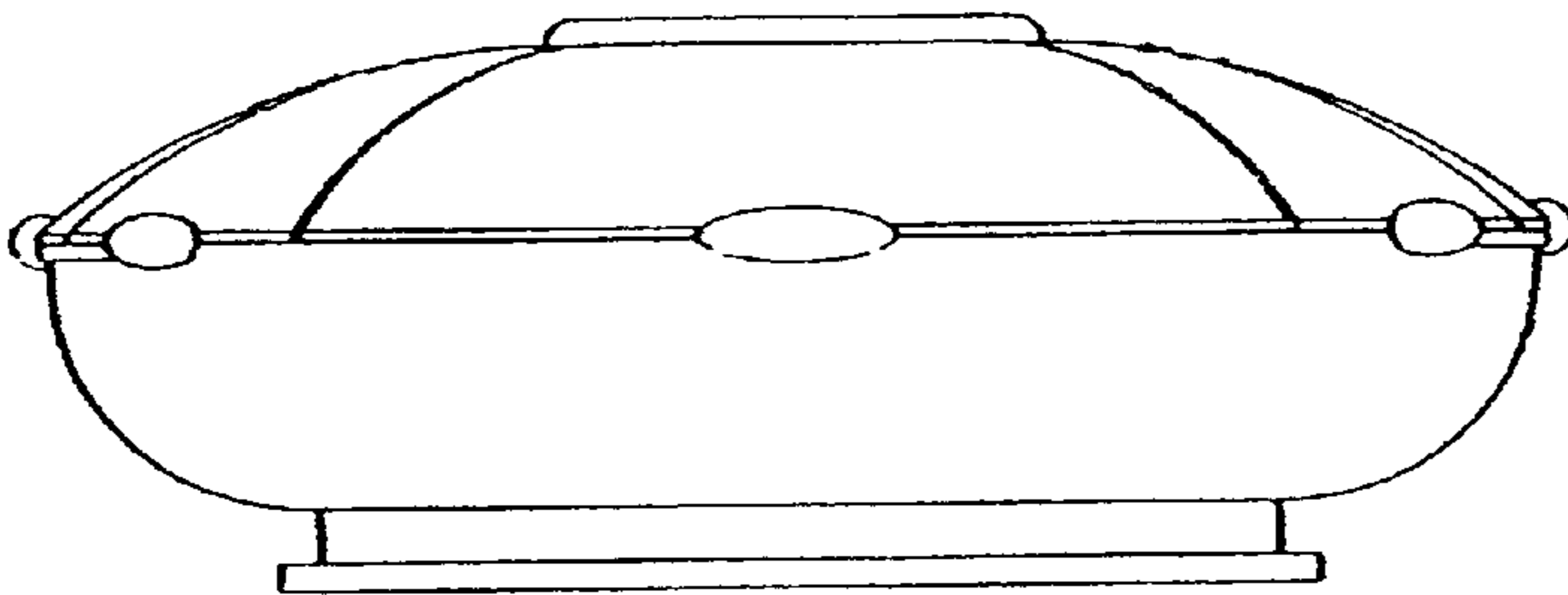


Fig. 4

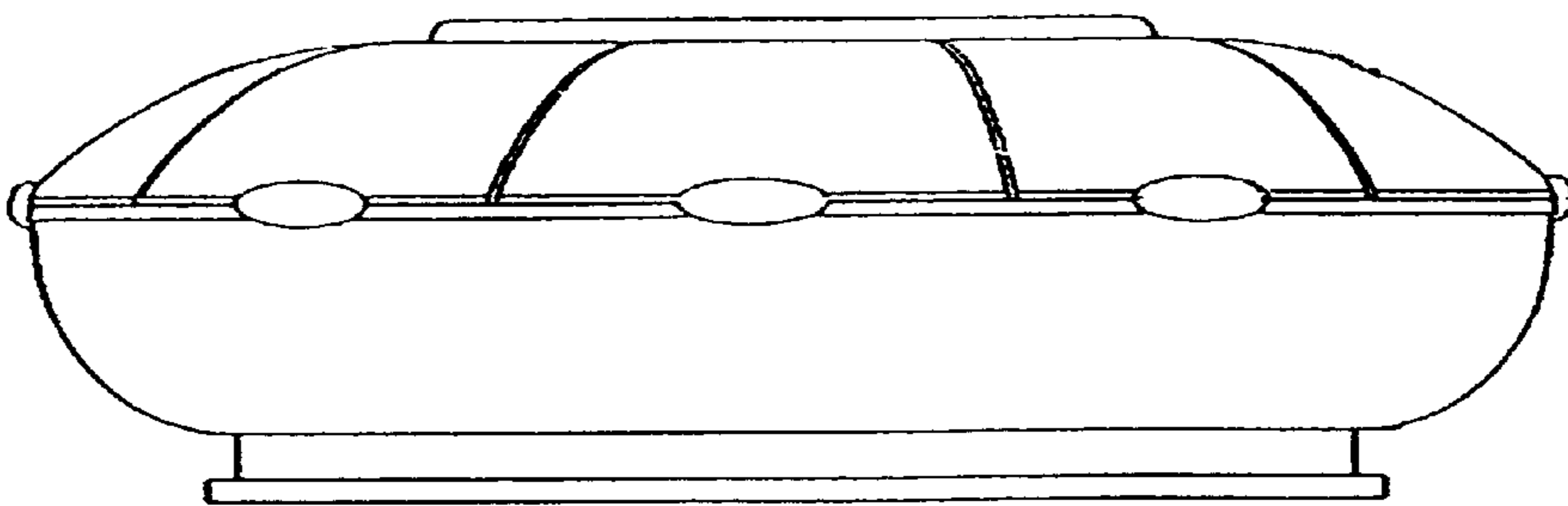


Fig. 5

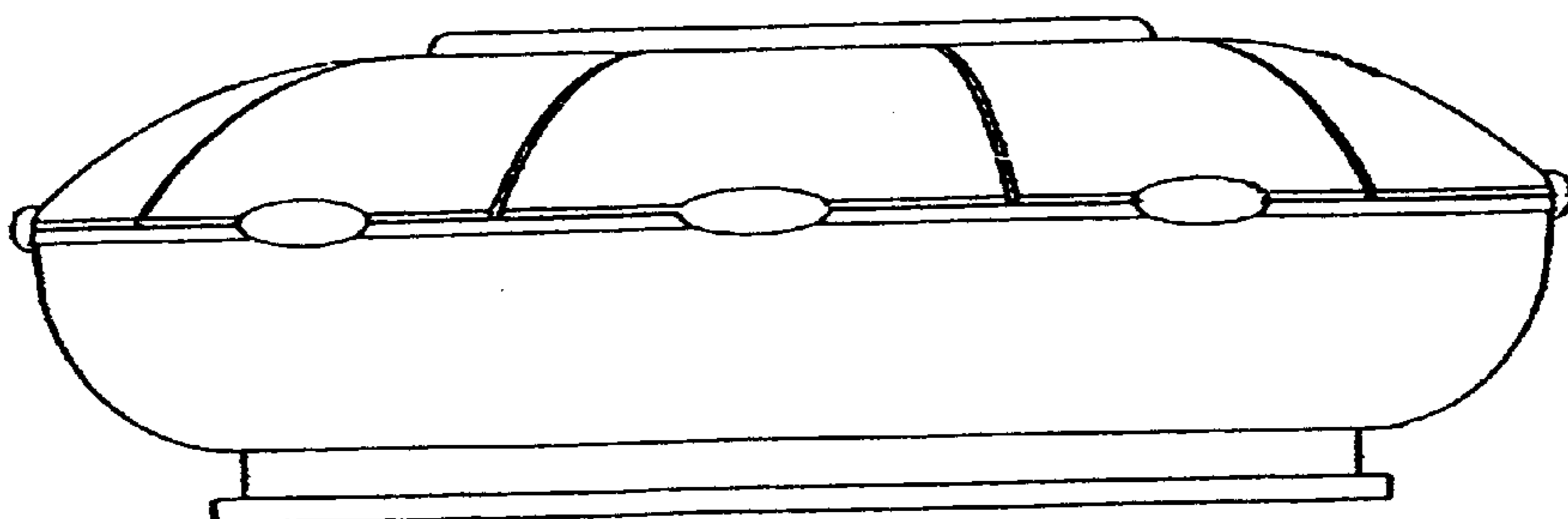


Fig. 6

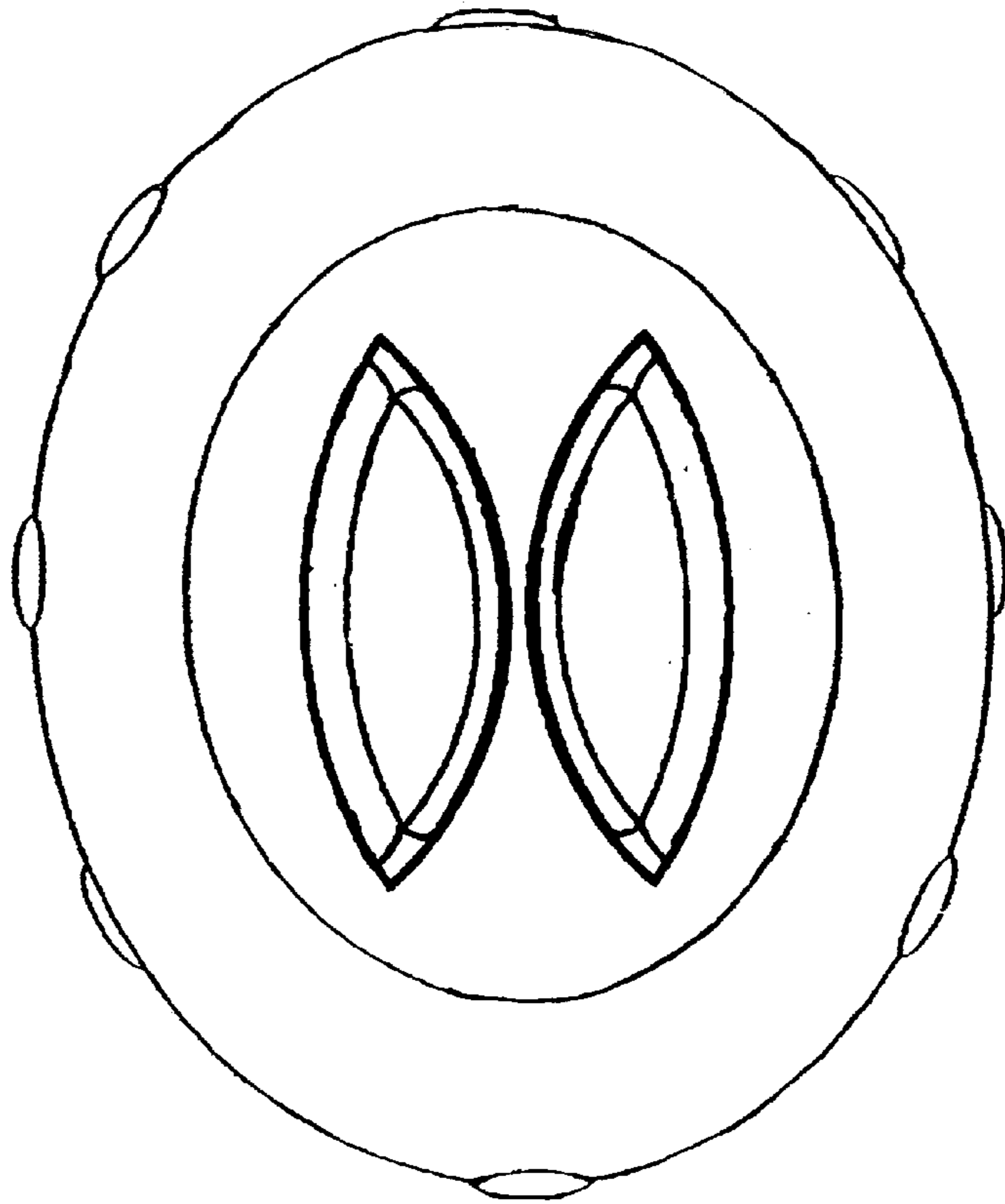


Fig. 7

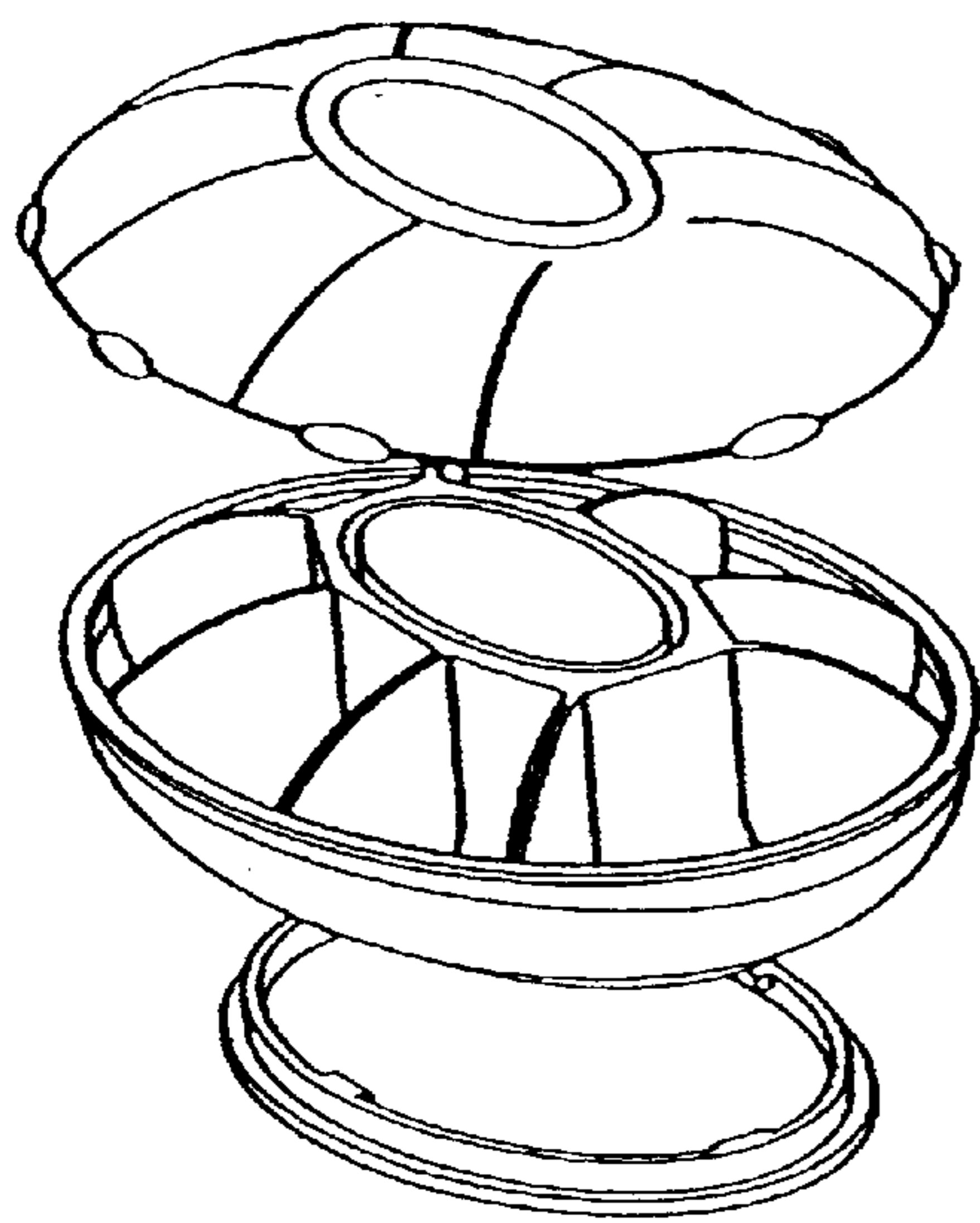


Fig. 8

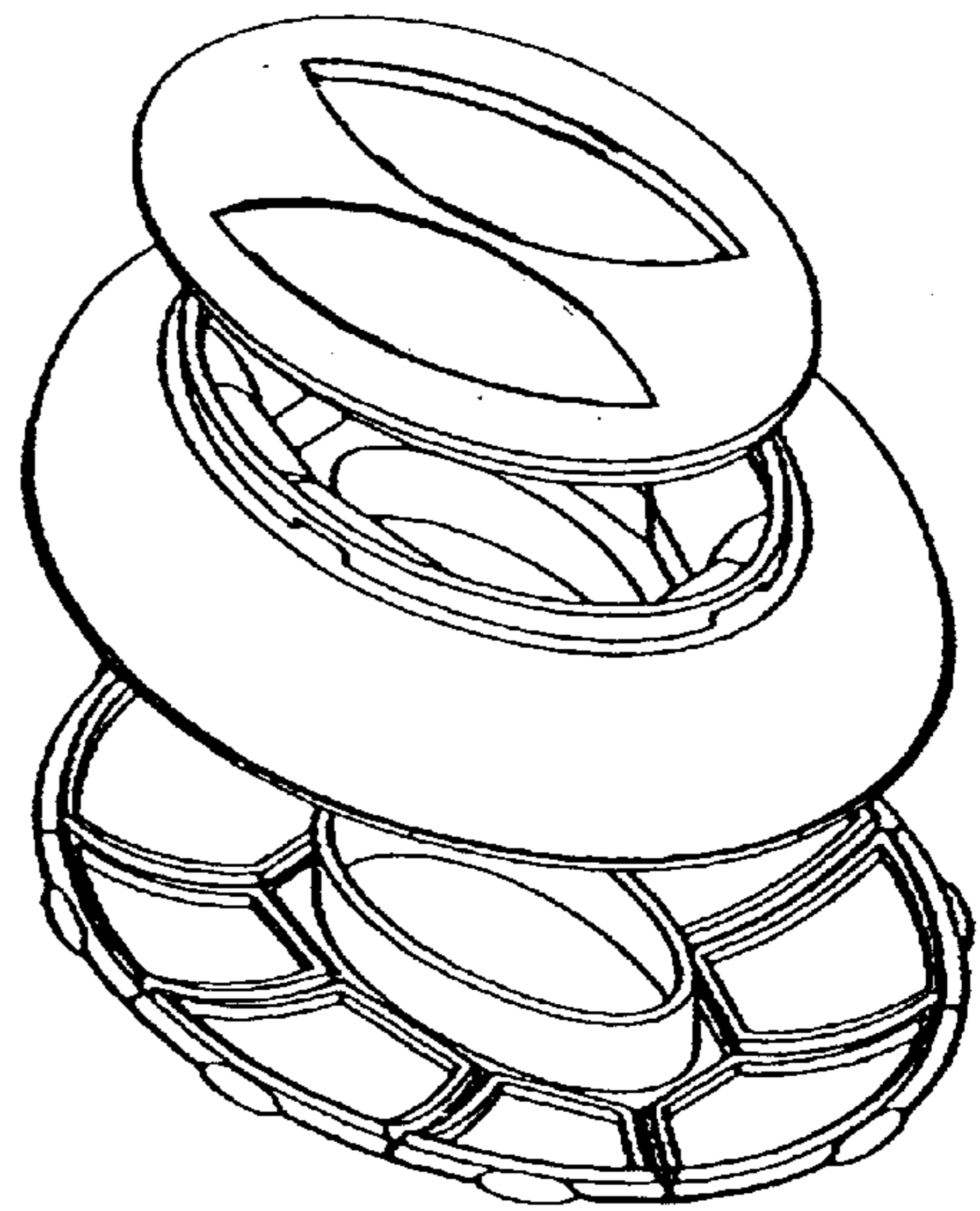


Fig. 9