



US00D488607S

(12) **United States Design Patent**  
**Dziekonski**

(10) **Patent No.:** **US D488,607 S**

(45) **Date of Patent:** **\*\* Apr. 13, 2004**

(54) **CONTAINER FOR A DECEASED PERSON OR ANIMAL**

D457,284 S 5/2002 Dziekonski

\* cited by examiner

(76) Inventor: **Mitchell Z. Dziekonski**, 4126 Hyde Park Dr., Sugar Land, TX (US) 77479

*Primary Examiner*—Paula A. Mortimer

(74) *Attorney, Agent, or Firm*—Locke Liddell & Sapp LLP

(\*\*) Term: **14 Years**

(57) **CLAIM**

(21) Appl. No.: **29/183,596**

The ornamental design for the container for a deceased person or animal, as shown and described.

(22) Filed: **Jun. 13, 2003**

**DESCRIPTION**

(51) **LOC (7) Cl.** ..... **99-00**

(52) **U.S. Cl.** ..... **D99/5**

(58) **Field of Search** ..... D99/1-5, 17, 19, D99/24; 27/1-10; D25/126; D11/131; D6/495, 496; 52/300, 301

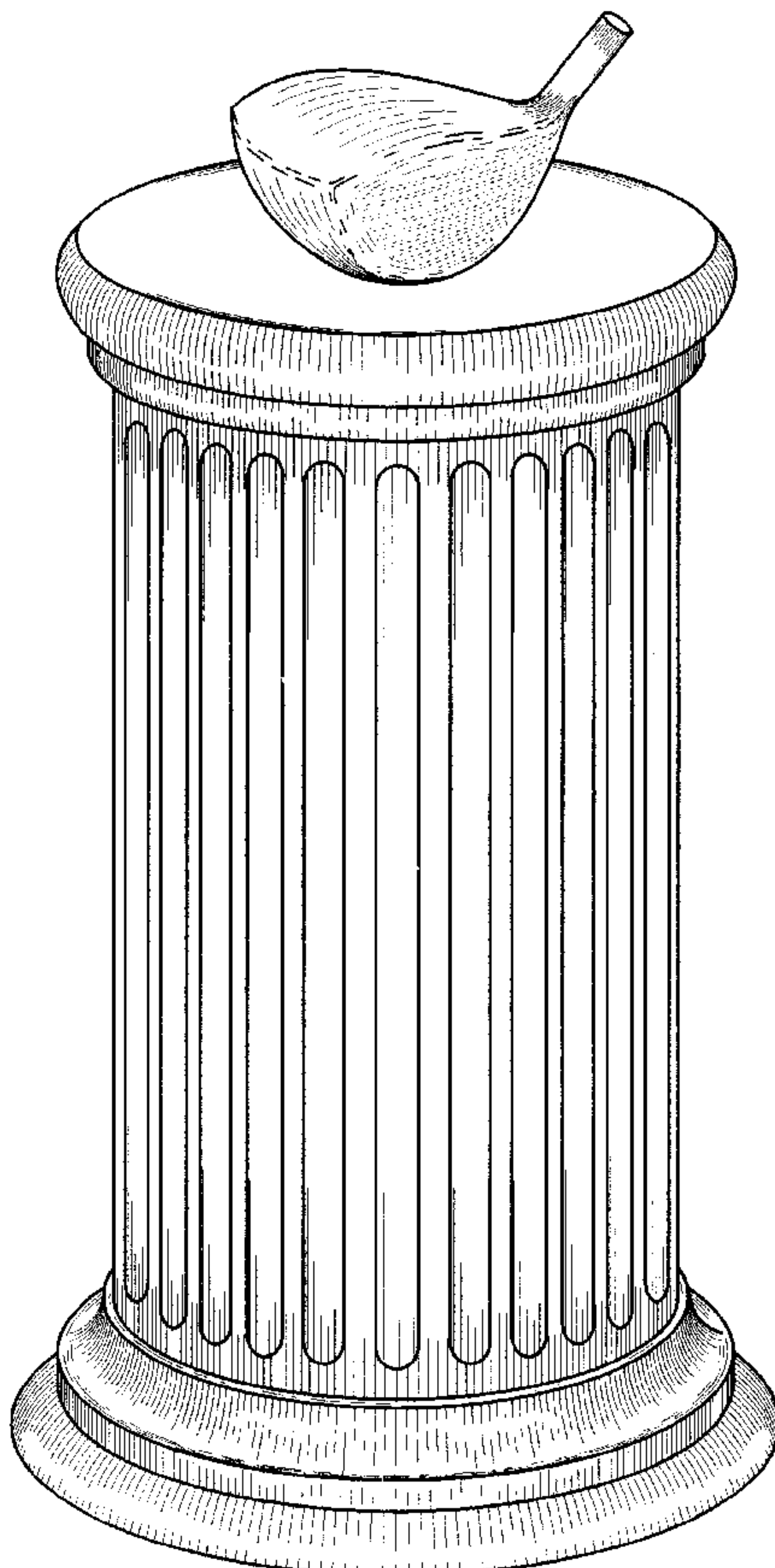
FIG. 1 is a perspective view of an ornamental design for the container for a deceased person or animal; FIG. 2 is a front view of an ornamental design for the container for a deceased person or animal; FIG. 3 is a back view of an ornamental design for the container for a deceased person or animal; FIG. 4 is a side view of an ornamental design for the container for a deceased person or animal; FIG. 5 is a side view of an ornamental design for the container for a deceased person or animal; FIG. 6 is a top view of an ornamental design for the container for a deceased person or animal; and, FIG. 7 is a bottom view of an ornamental design for the container for a deceased person or animal.

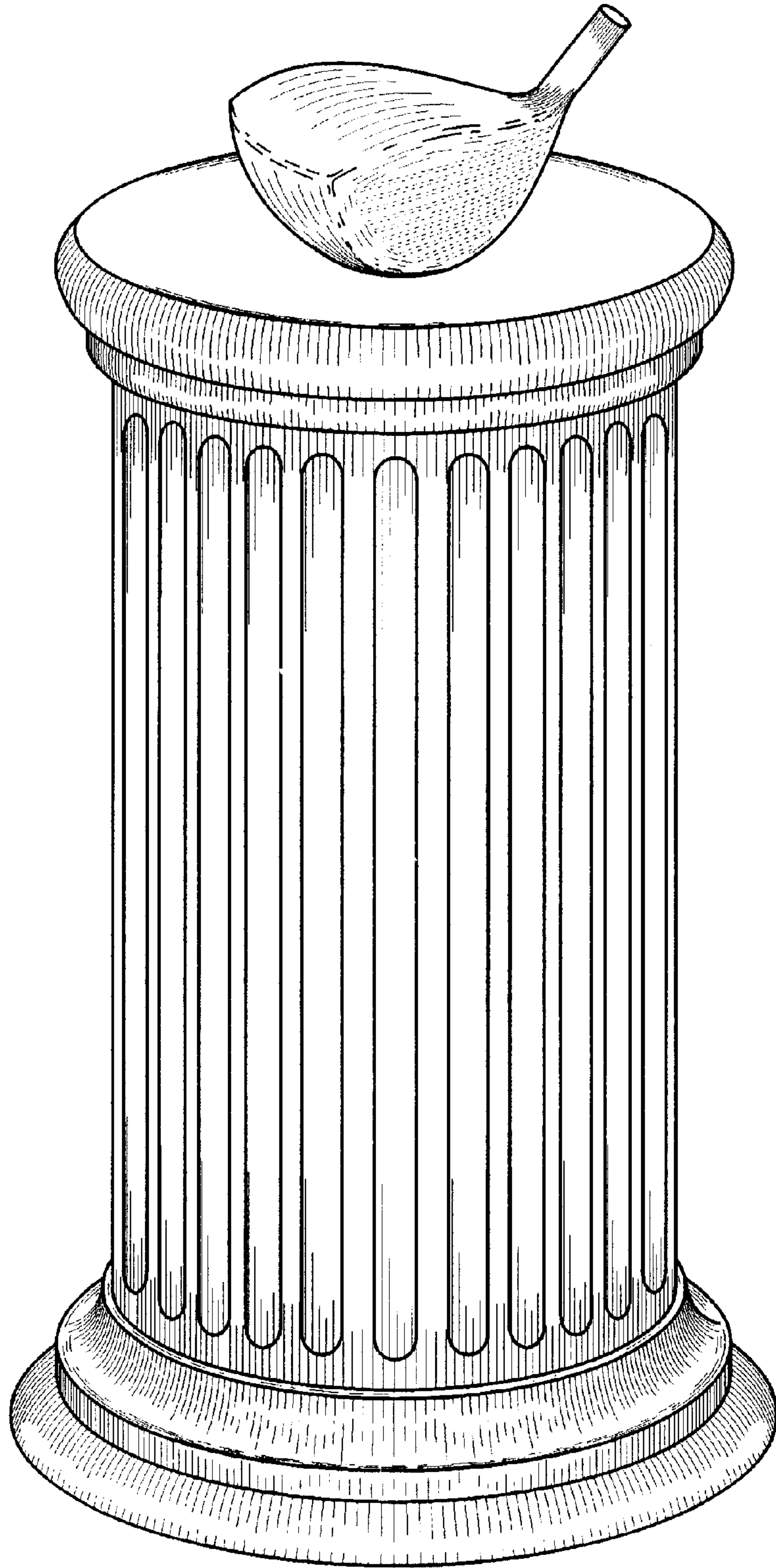
(56) **References Cited**

**U.S. PATENT DOCUMENTS**

D44,530 S	*	8/1913	Hanold	.....	D99/17
D56,541 S	*	11/1920	Sailer	.....	D6/495
D424,217 S	*	5/2000	Beachy	.....	D25/126
D438,361 S	*	2/2001	Robinson	.....	D99/5
D442,347 S	*	5/2001	Parker	.....	D99/5
D443,400 S	*	6/2001	Robinson	.....	D99/5
D453,984 S		2/2002	Dziekonski		
D454,242 S		3/2002	Dziekonski		
D455,885 S	*	4/2002	Izzi	.....	D99/5

**1 Claim, 4 Drawing Sheets**





*FIG. 1*

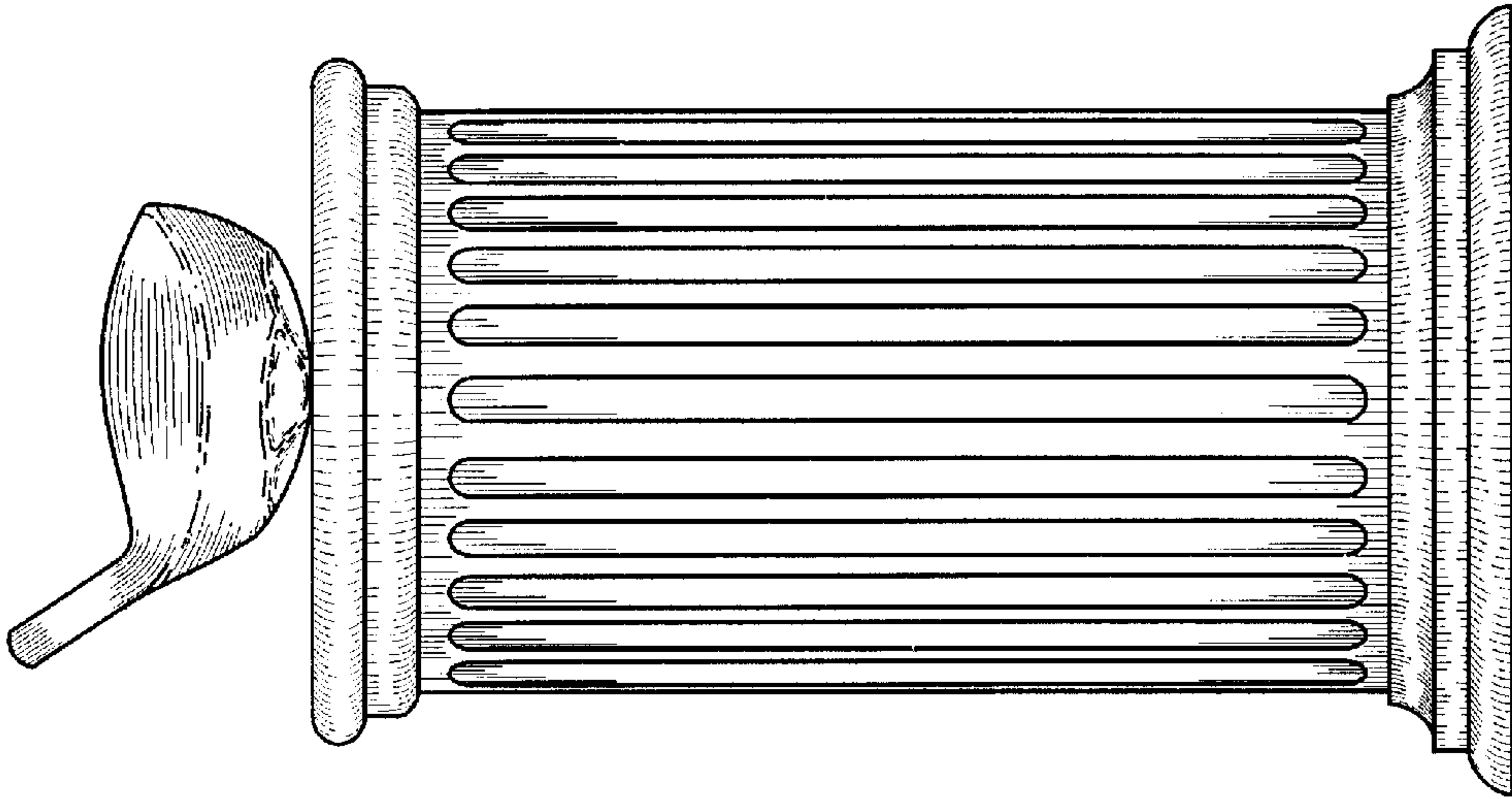


FIG. 3

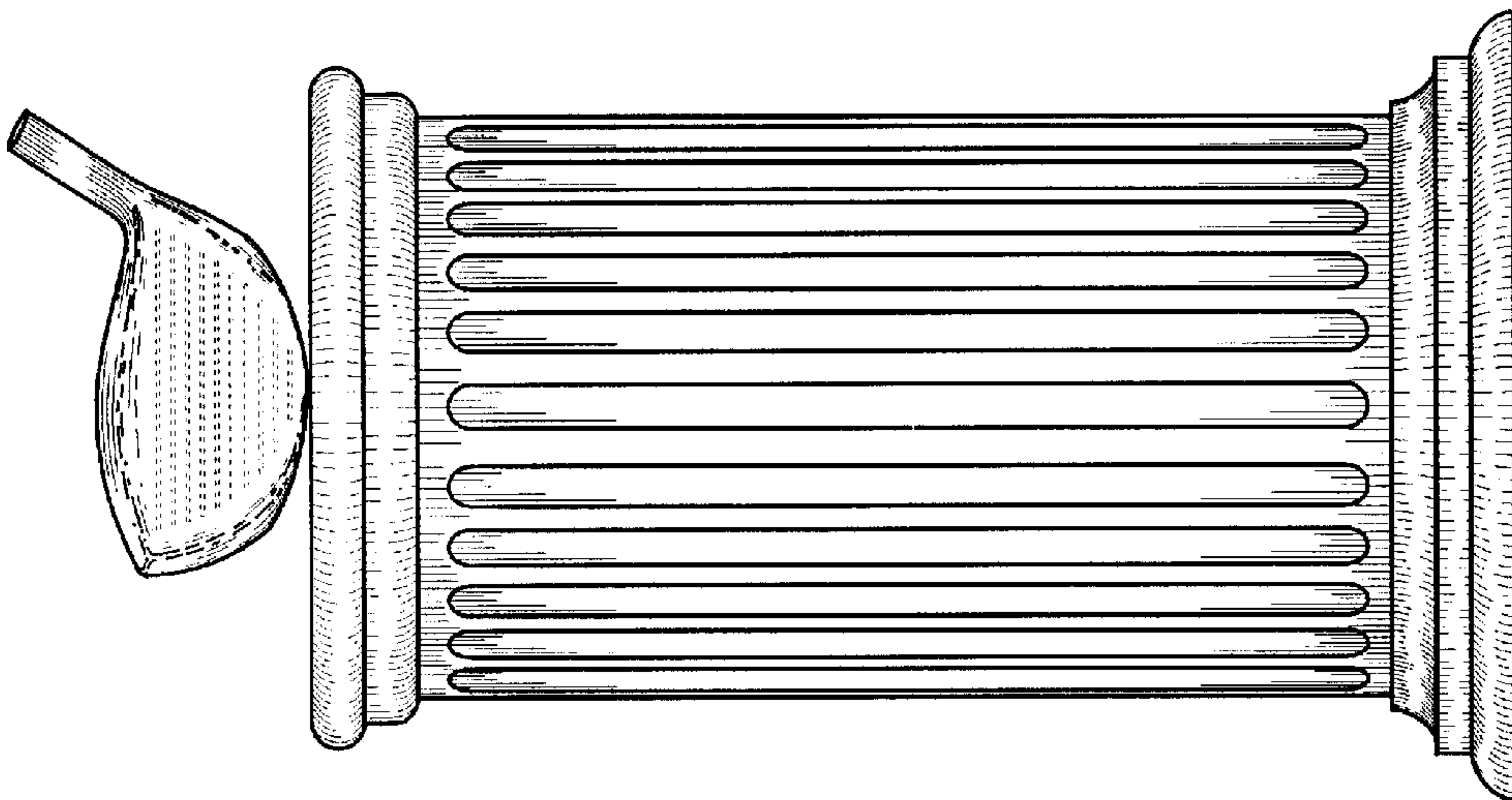


FIG. 2

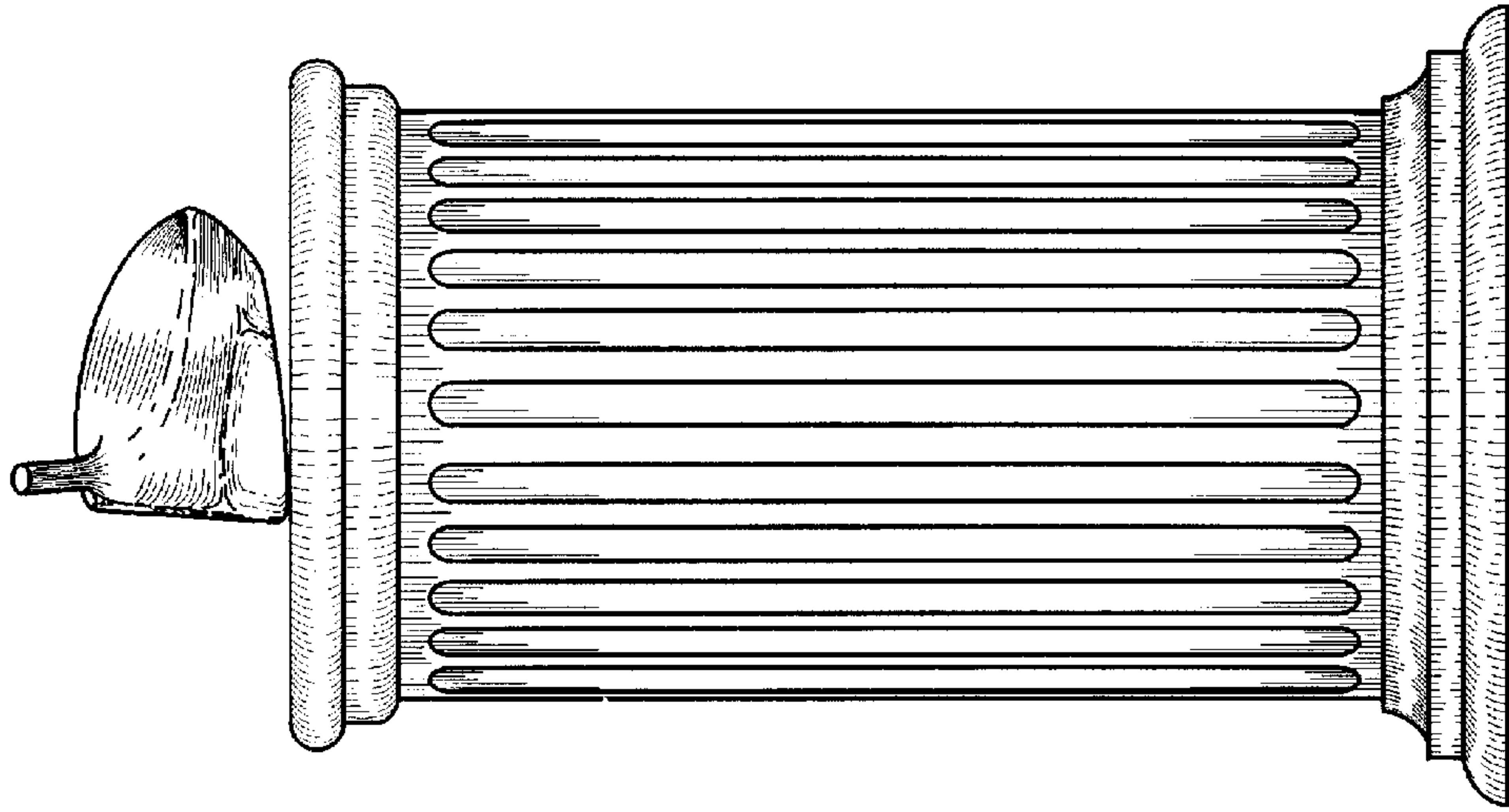


FIG. 4

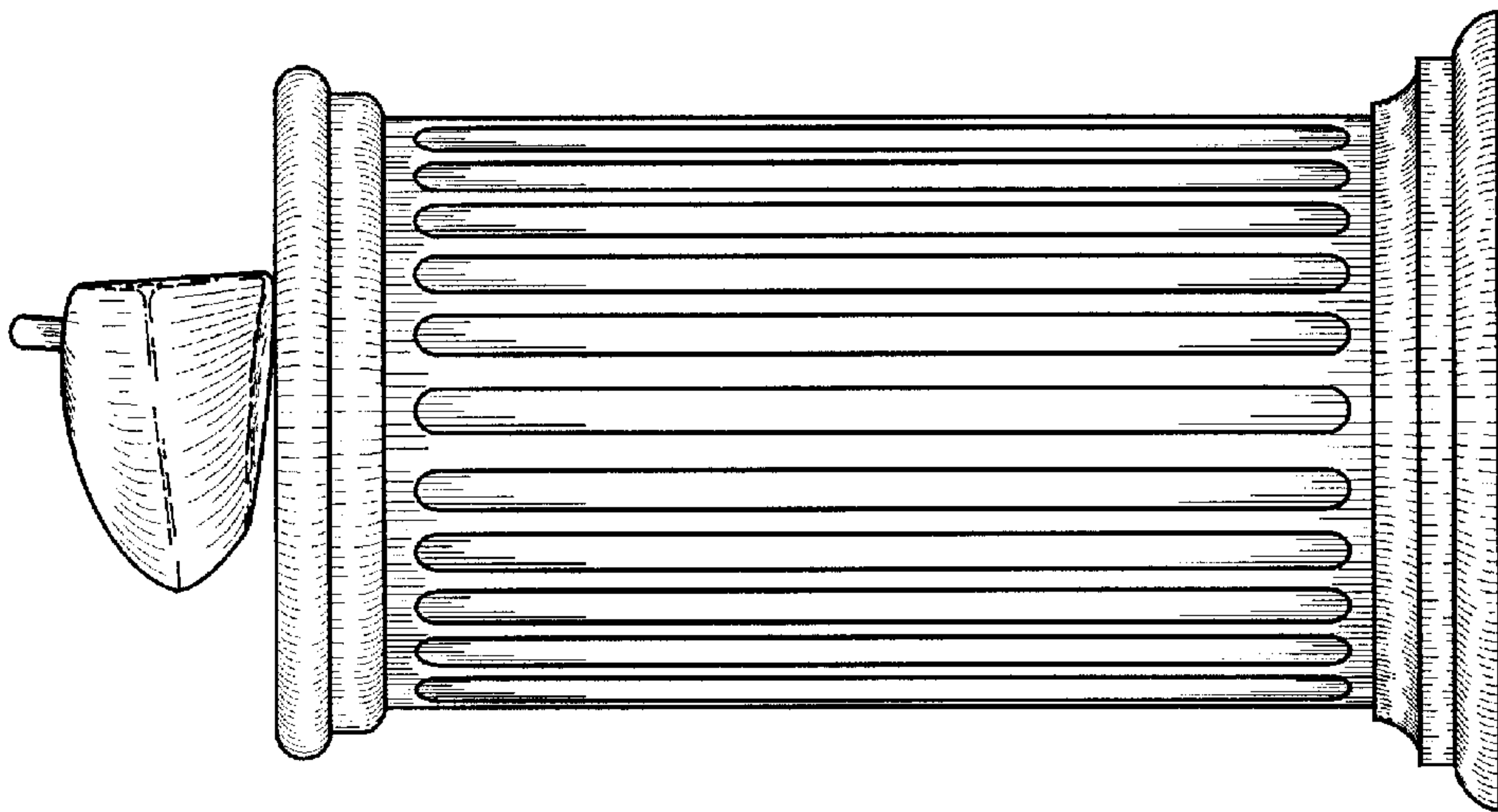
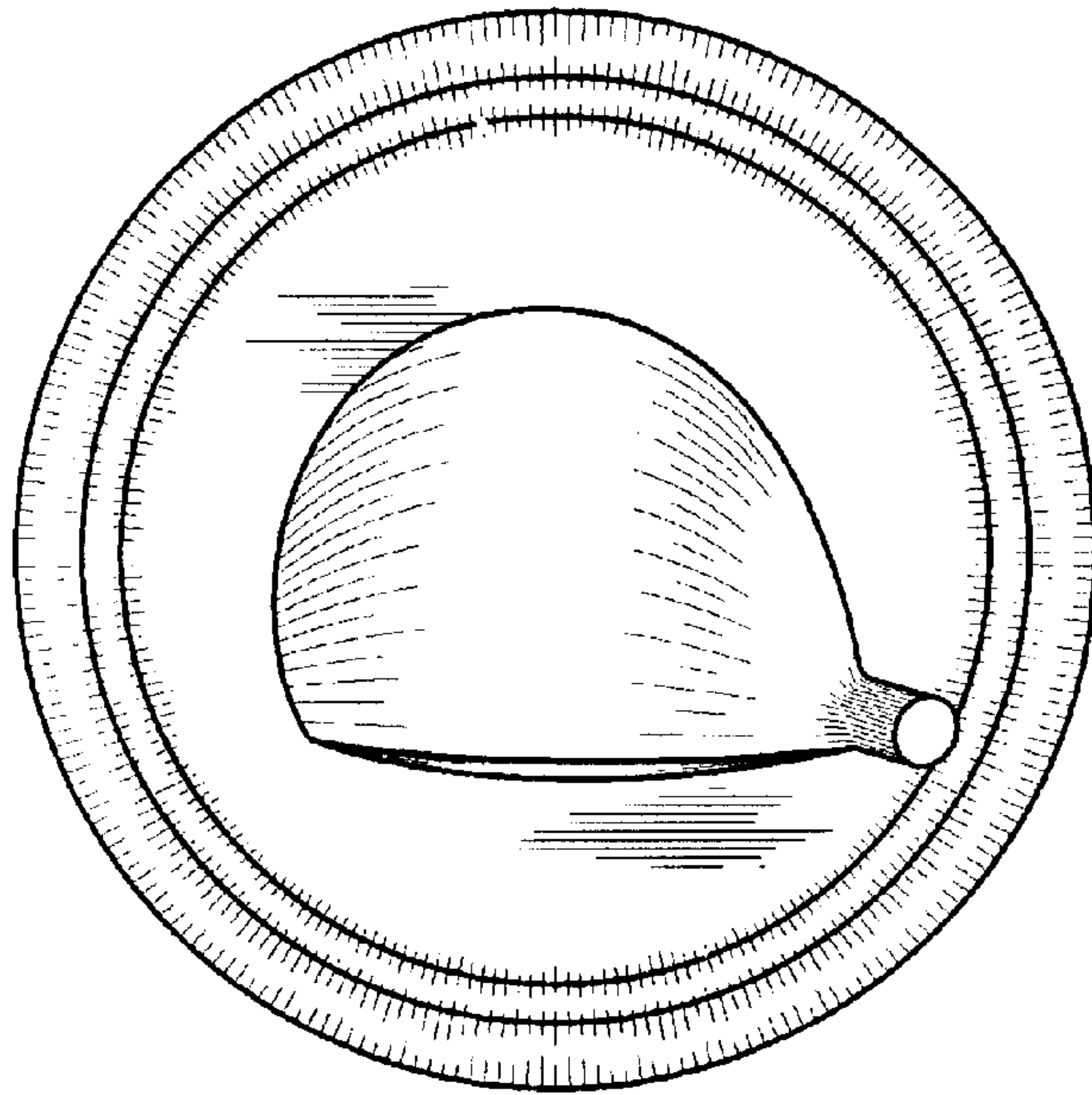
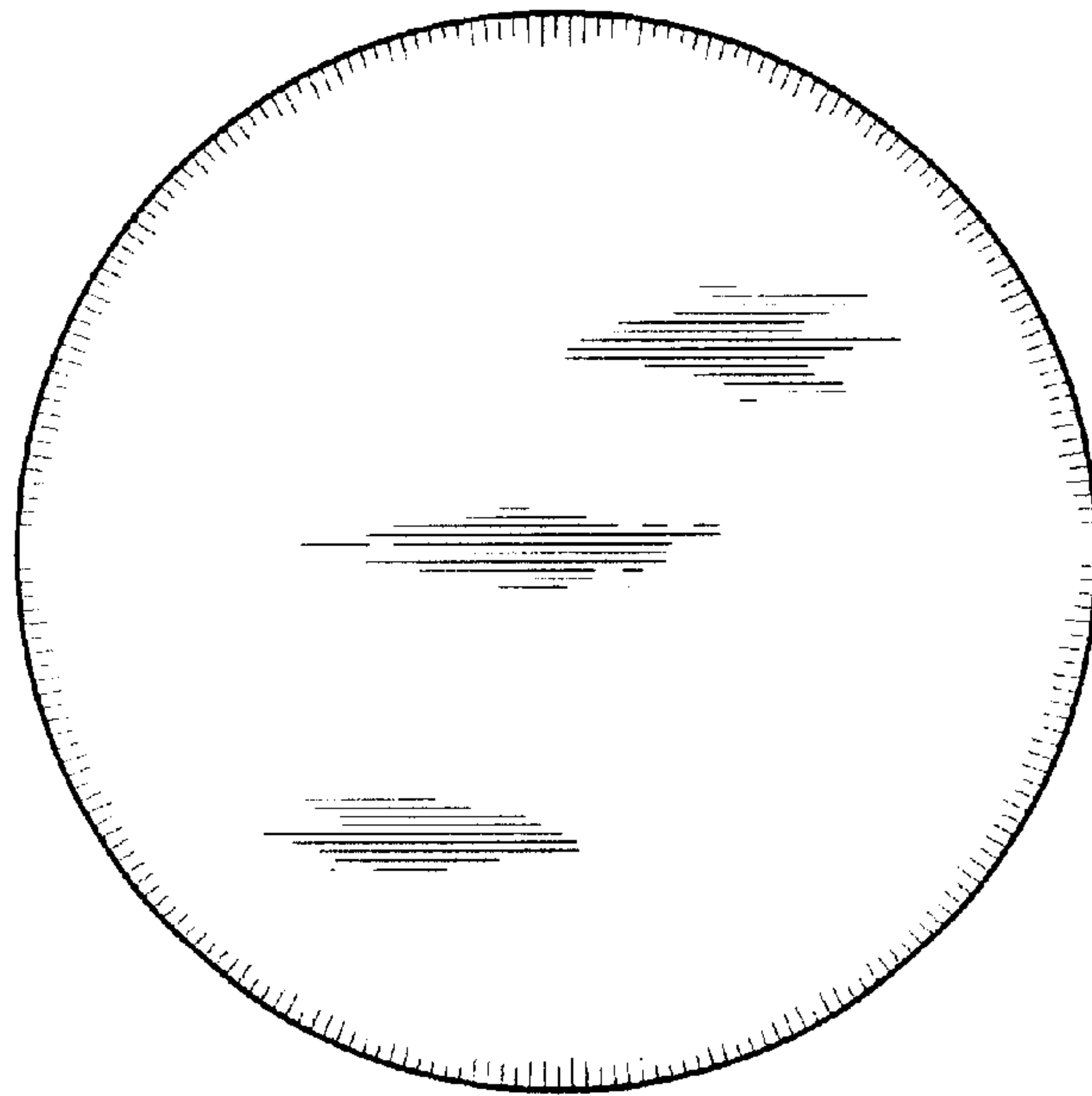


FIG. 5





*FIG. 6*



*FIG. 7*