



US00D488602S

(12) **United States Design Patent**
Pecci et al.

(10) **Patent No.:** **US D488,602 S**

(45) **Date of Patent:** **** Apr. 13, 2004**

(54) **LEAF SKIMMER**

(75) Inventors: **Gene L. Pecci**, Novato, CA (US);
Raymond G. Smith, Los Angeles, CA (US)

(73) Assignee: **Laars, Inc.**, Newport Beach, CA (US)

(**) Term: **14 Years**

(21) Appl. No.: **29/179,692**

(22) Filed: **Apr. 11, 2003**

(51) **LOC (7) Cl.** **08-99**

(52) **U.S. Cl.** **D32/35**

(58) **Field of Search** D22/135; D23/209,
D23/210; D32/35; 15/1.7; 43/7, 11; 210/169,
238, 470, 471, 473, 474, 495, 499, 776

(56) **References Cited**

U.S. PATENT DOCUMENTS

D188,094 S	*	6/1960	McWethy	D32/35
3,220,037 A	*	11/1965	Ruhling	15/1.7
4,106,157 A	*	8/1978	Baker	210/470 X
4,198,720 A	*	4/1980	Matsumoto	15/1.7
4,225,437 A	*	9/1980	Woodard	210/470 X
4,481,117 A	*	11/1984	Collins	210/776

4,846,972 A	*	7/1989	Anderson	210/238
D330,444 S	*	10/1992	Wall et al.	D32/35
6,132,604 A	*	10/2000	Kirchoff	210/169

* cited by examiner

Primary Examiner—Alan P. Douglas

Assistant Examiner—Lavone D. Tabor

(74) *Attorney, Agent, or Firm*—Buchanan Ingersoll, P.C.

(57) **CLAIM**

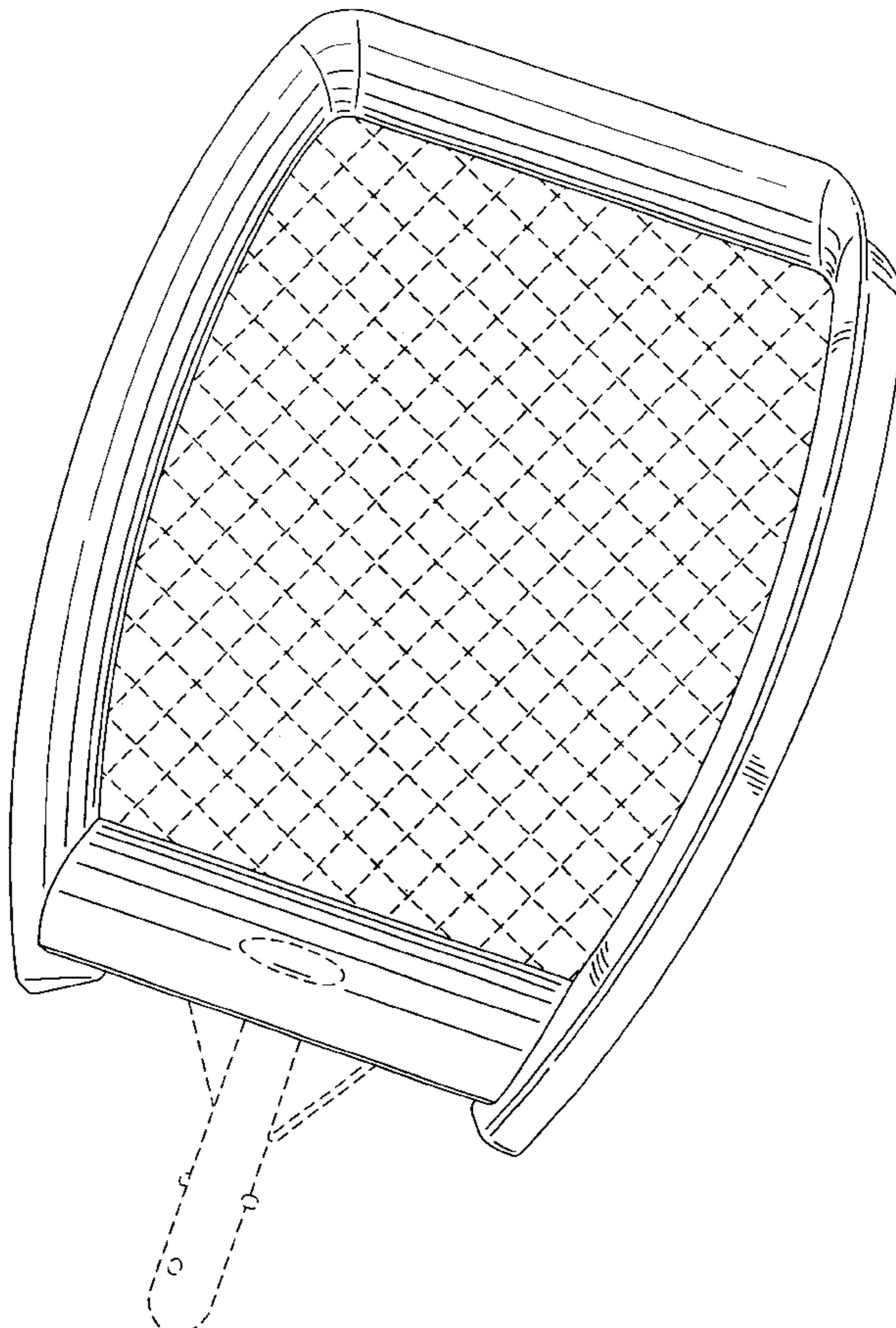
The ornamental design for a leaf skimmer, as shown and described.

DESCRIPTION

FIG. 1 is a perspective view of a leaf skimmer showing our new design;
FIG. 2 is a front elevational view thereof;
FIG. 3 is a rear elevational view thereof;
FIG. 4 is a right side elevational view thereof;
FIG. 5 is a left side elevational view thereof;
FIG. 6 is a top plan view thereof; and,
FIG. 7 is a bottom plan view thereof.

The phantom lines in FIGS. 1–7, including, but not limited to, the mesh screen, are for illustrative purposes only and form no part of the design.

1 Claim, 5 Drawing Sheets



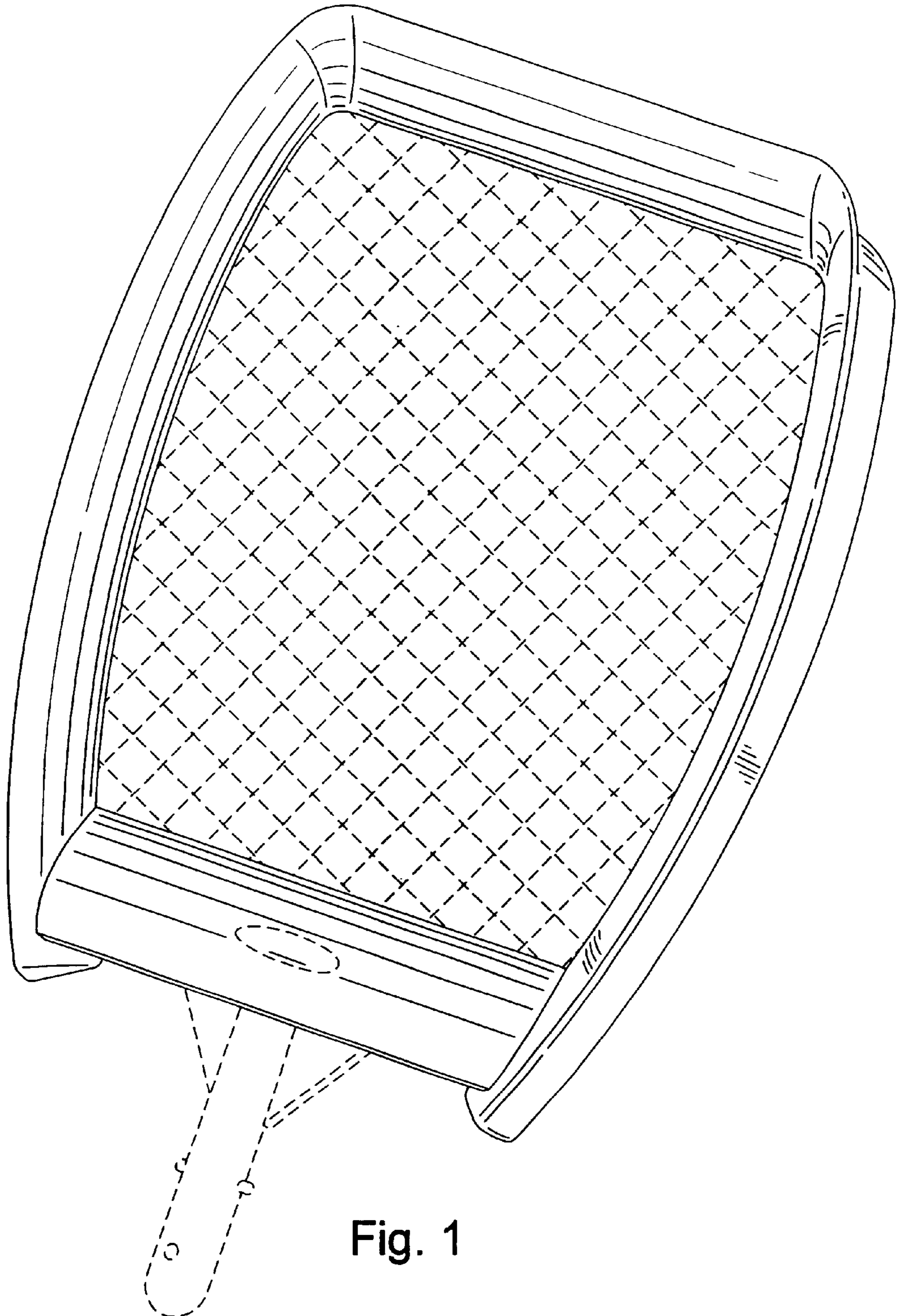


Fig. 1

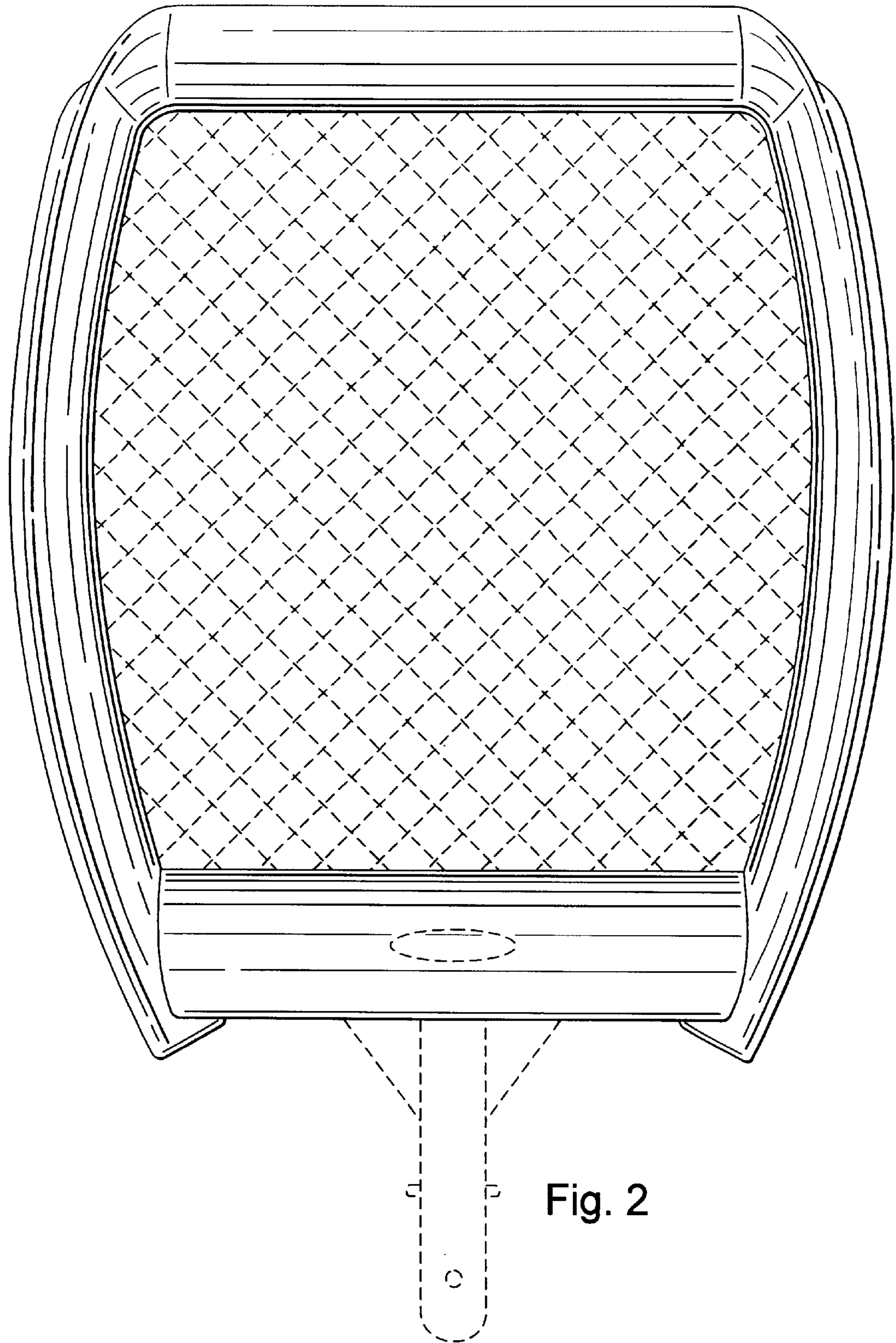


Fig. 2

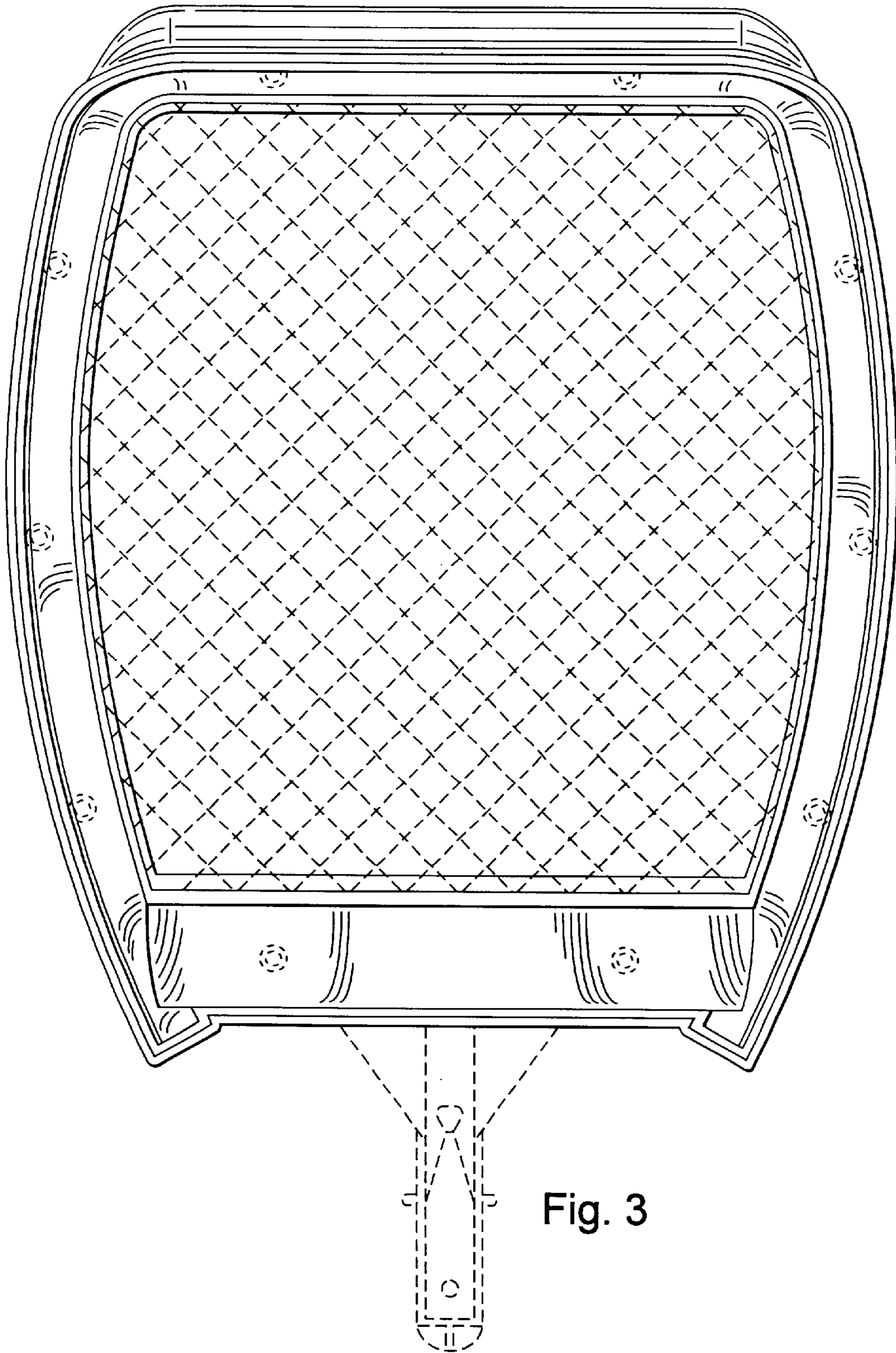


Fig. 3

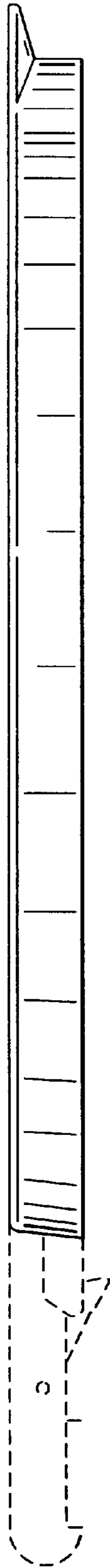


Fig. 4

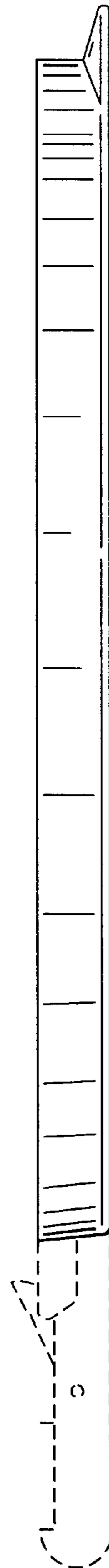


Fig. 5

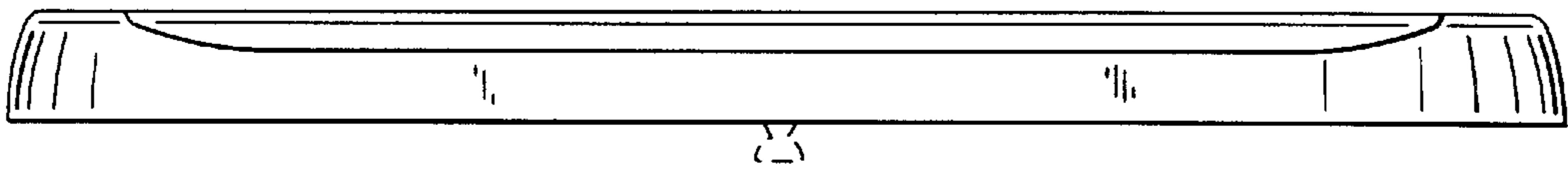


Fig. 6

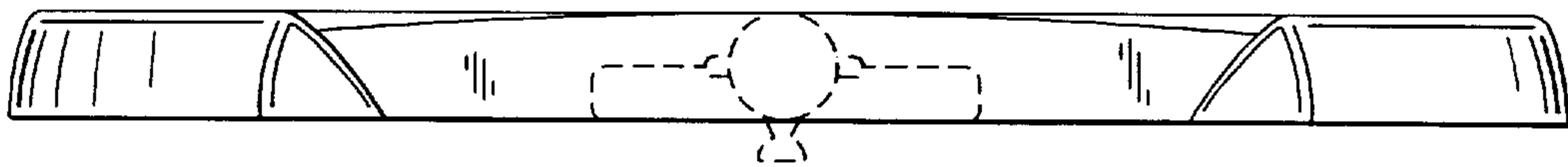


Fig. 7