



US00D488601S

(12) **United States Design Patent**
Solanky et al.

(10) **Patent No.:** **US D488,601 S**

(45) **Date of Patent:** **** Apr. 13, 2004**

(54) **BRUSH CLEANING UNIT**

(75) Inventors: **Ashok H. Solanky**, Mechanicsville, VA (US); **Robert E. Lee**, Richmond, VA (US); **Charles L. Dendy**, Ruther Glen, VA (US)

(73) Assignee: **Philip Morris Incorporated**, New York, NY (US)

(**) Term: **14 Years**

(21) Appl. No.: **29/161,450**

(22) Filed: **May 31, 2002**

(51) **LOC (7) Cl.** **08-99**

(52) **U.S. Cl.** **D32/35**

(58) **Field of Search** D32/35, 45; D27/141-143, D27/154, 194, 196; D28/48, 49; 131/184.1, 243-246; 134/184, 186, 196, 197, 194

(56) **References Cited**

U.S. PATENT DOCUMENTS

1,421,971 A	7/1922	McCarty
D343,697 S	1/1994	Tanfoglio
5,787,539 A	8/1998	Nussbaum
5,915,432 A	6/1999	Trummer
D421,320 S	2/2000	Coffin et al.
D421,666 S	3/2000	Lyons et al.

6,116,247 A	9/2000	Banyasz et al.
6,119,700 A	9/2000	Fleischhauer et al.
6,125,866 A	10/2000	Nichols et al.
D443,717 S	* 6/2001	Minagawa et al. D27/154
D452,930 S	* 1/2002	Sinha et al. D27/154
D469,962 S	2/2003	Campbell et al.

* cited by examiner

Primary Examiner—Alan P. Douglas

Assistant Examiner—Lavone D. Tabor

(74) *Attorney, Agent, or Firm*—Burns, Doane, Swecker & Mathis, LLP

(57) **CLAIM**

The ornamental design for a brush cleaning unit, as shown and described.

DESCRIPTION

FIG. 1 is a front, top perspective view of a brush cleaning unit showing our new design.

FIG. 2 is a rear, top perspective view thereof.

FIG. 3 is a top plan thereof.

FIG. 3 is a bottom plan view thereof.

FIG. 4 is a bottom plan view thereof.

FIG. 5 is a side elevational view thereof, the other side being a mirror image thereof.

FIG. 6 is a rear elevational view thereof; and,

FIG. 7 is a front elevational view thereof.

1 Claim, 2 Drawing Sheets

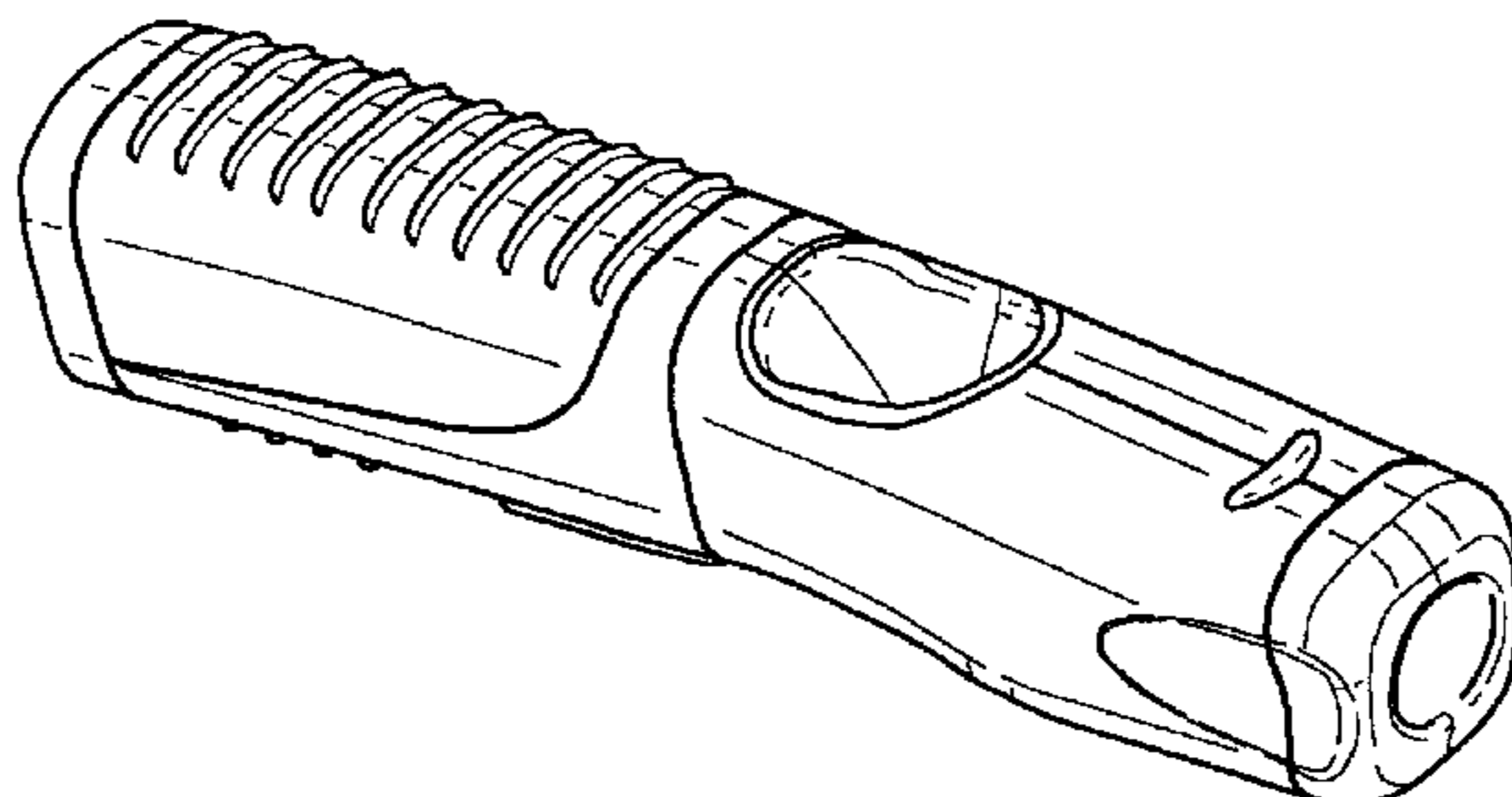
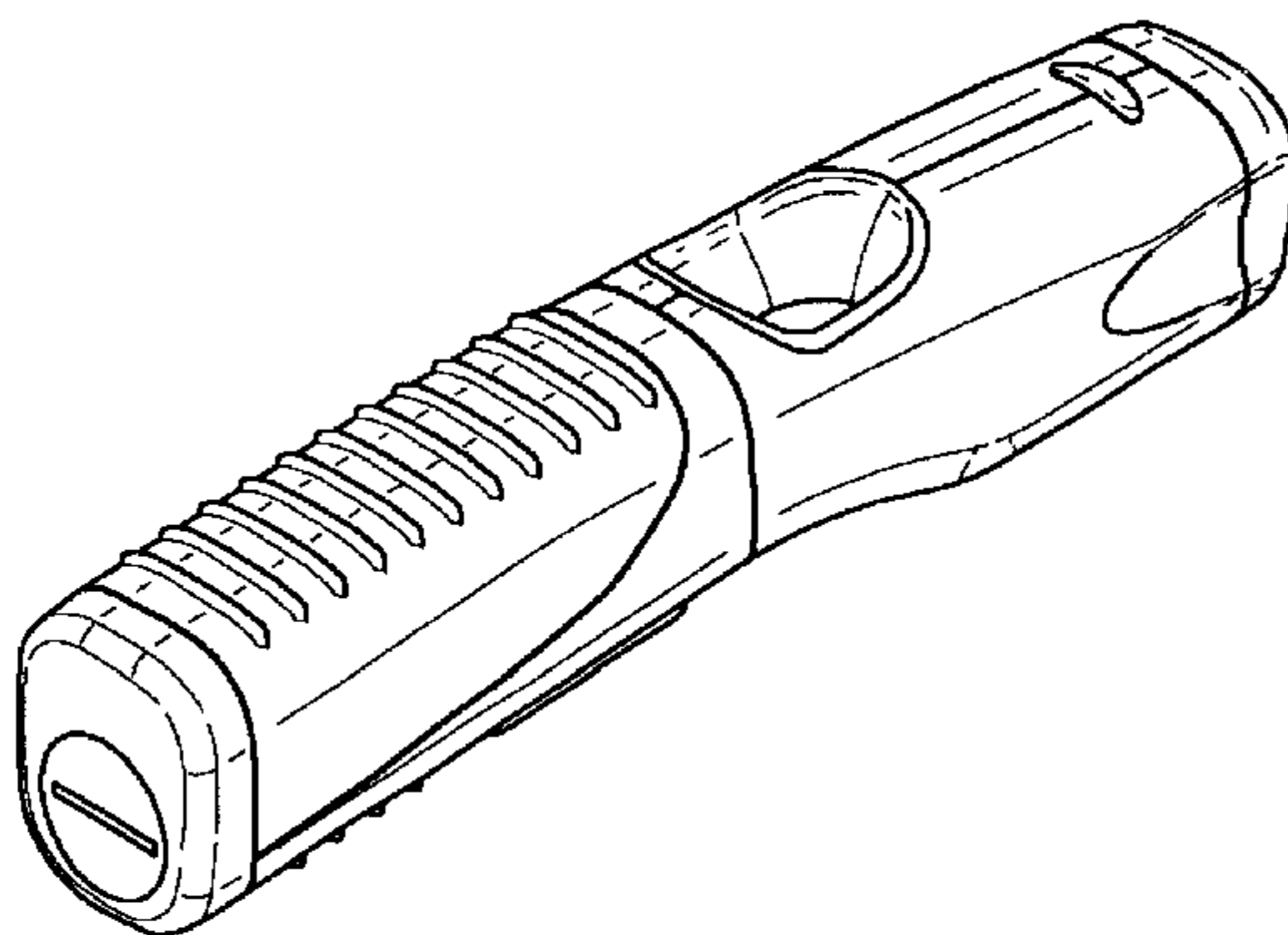


FIG. 1

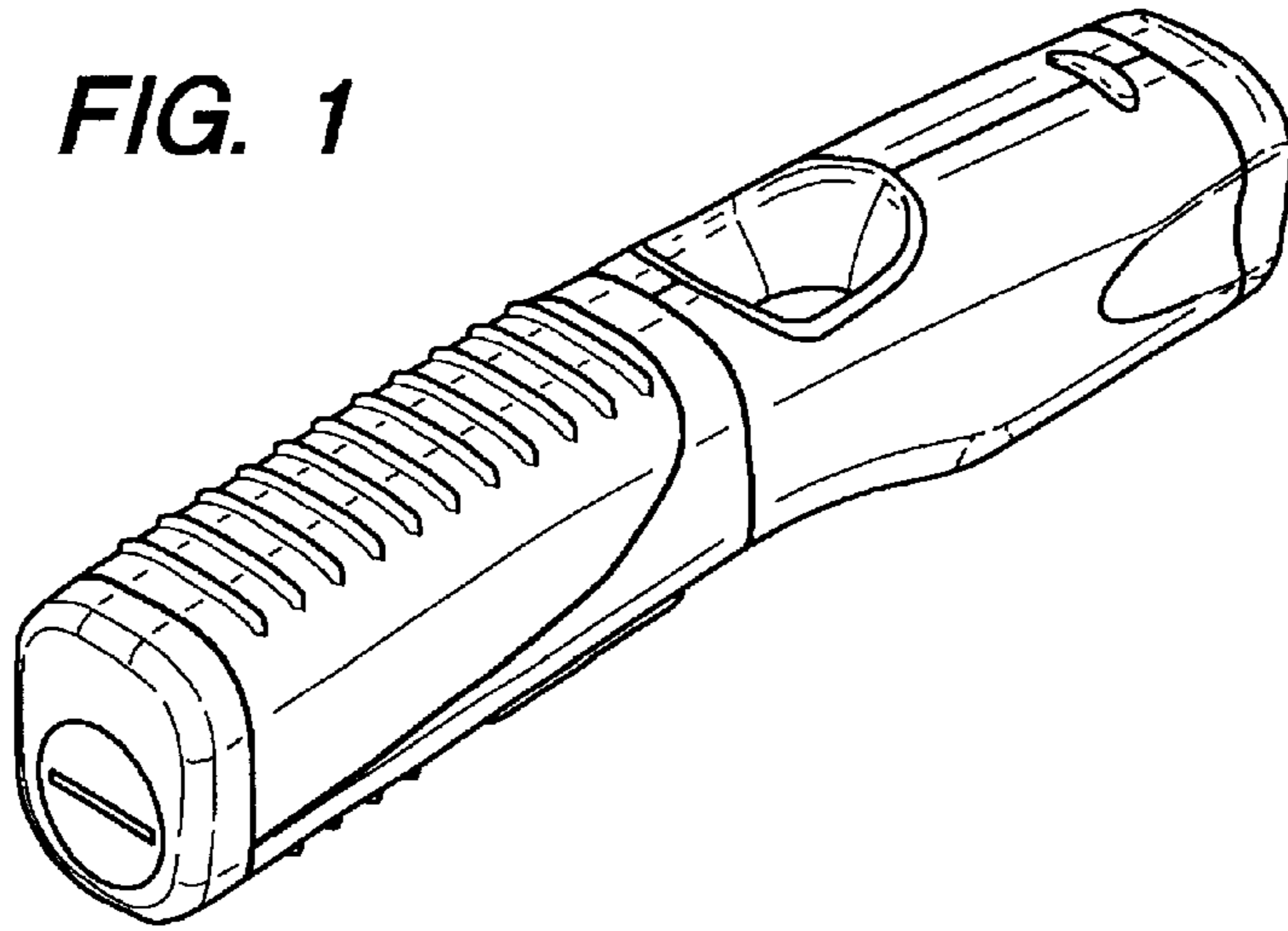


FIG. 2

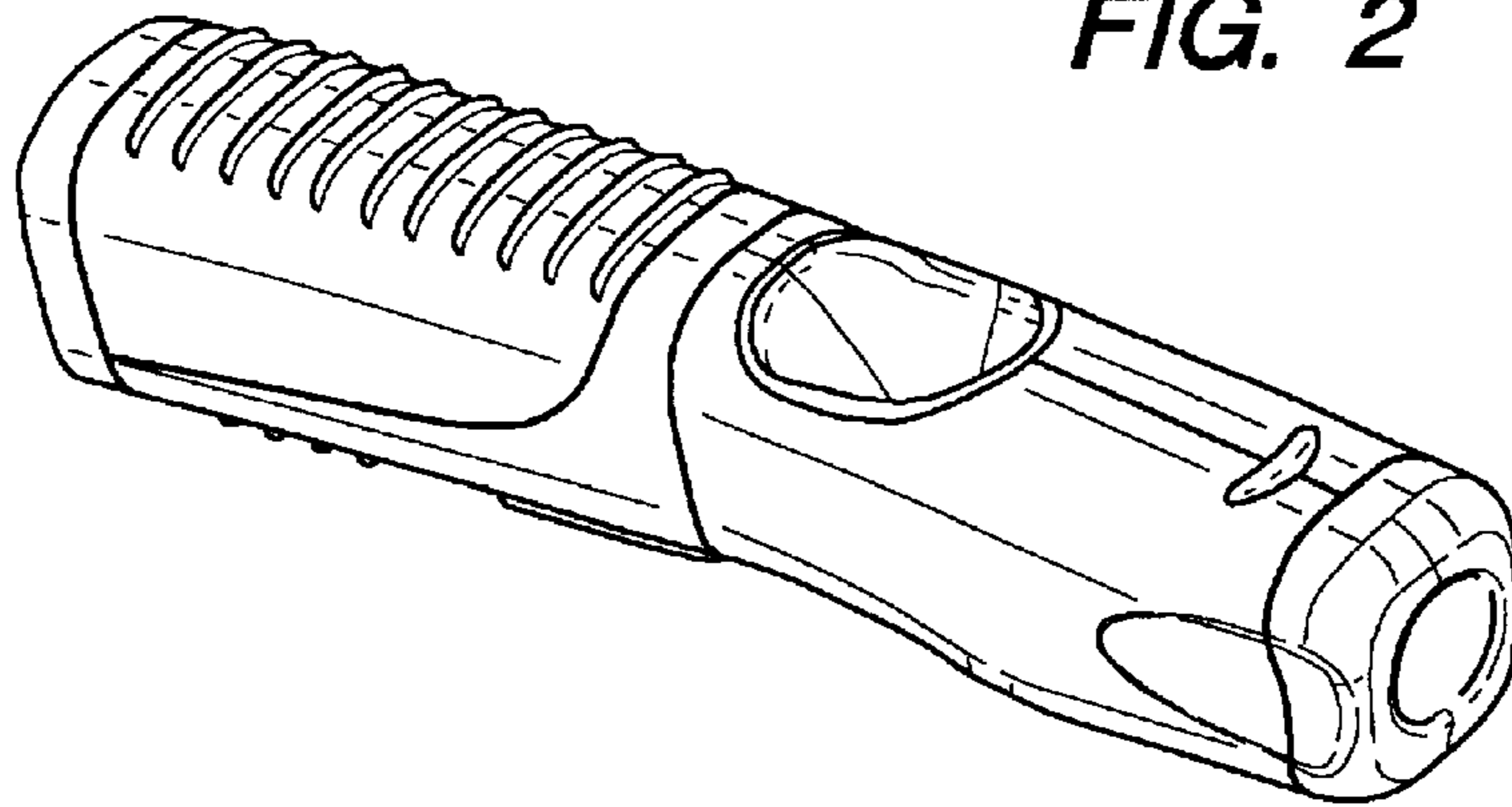


FIG. 3

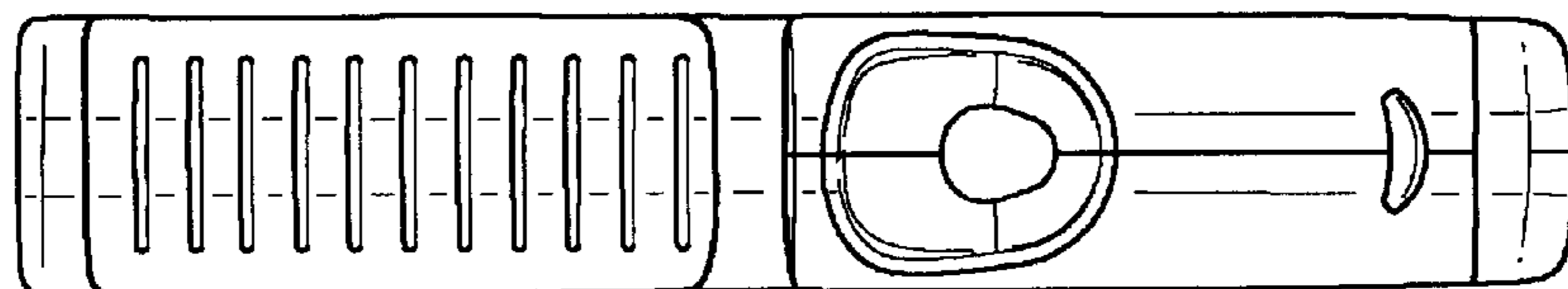


FIG. 4

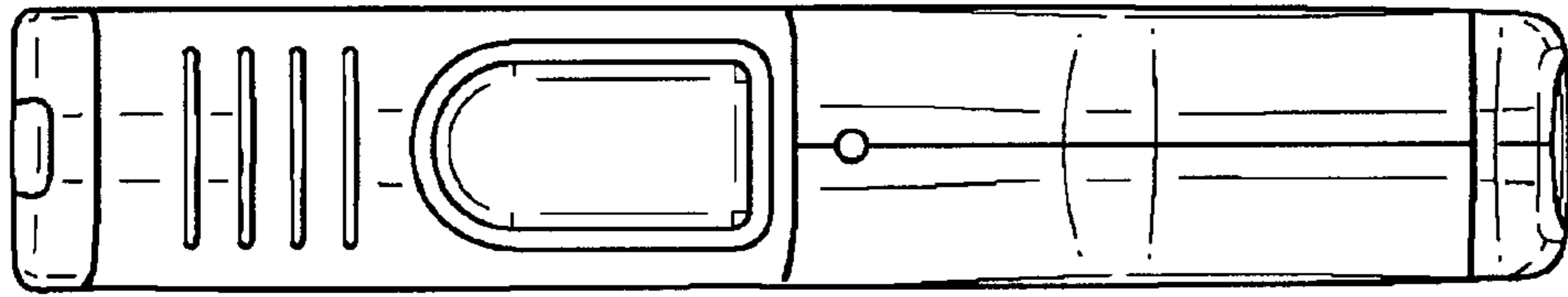


FIG. 5

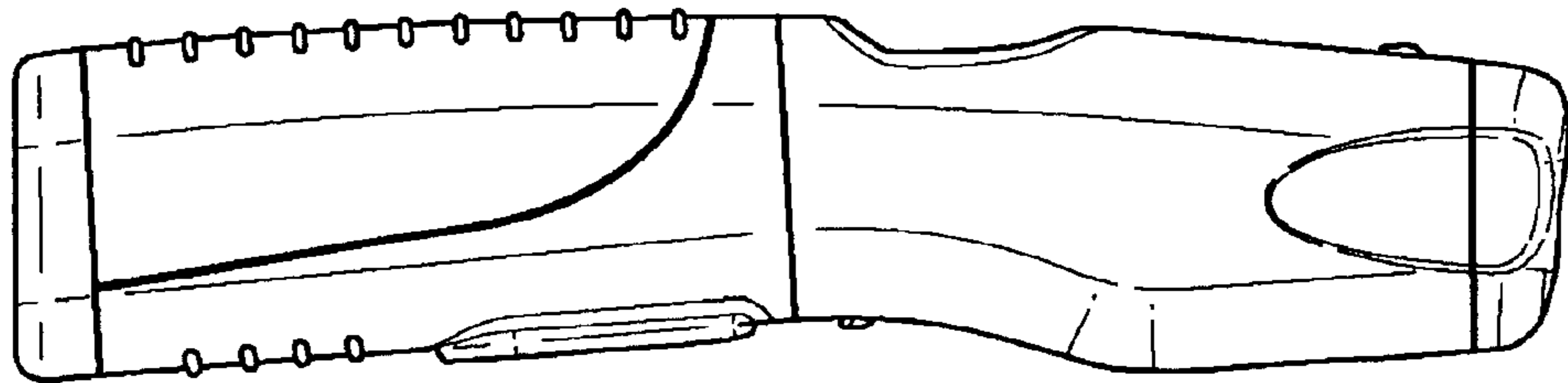


FIG. 6

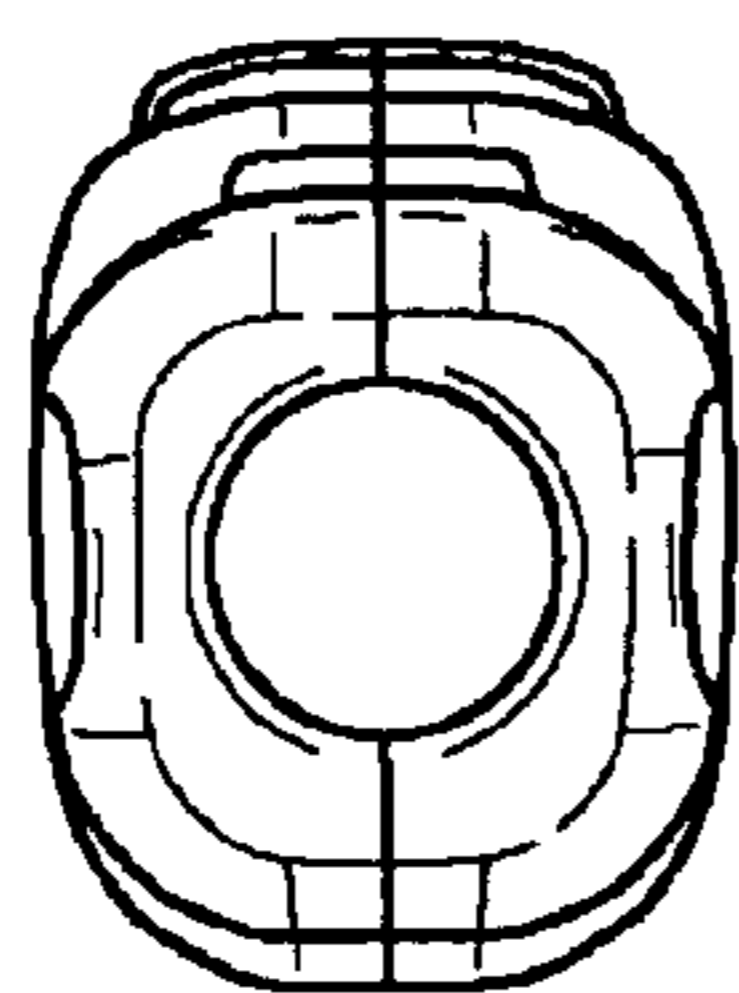


FIG. 7

