



US00D488600S

(12) **United States Design Patent**  
**Pecci et al.**

(10) **Patent No.:** **US D488,600 S**

(45) **Date of Patent:** **\*\* Apr. 13, 2004**

(54) **VACUUM CLEANER HEAD**

(75) Inventors: **Gene L. Pecci**, Novato, CA (US);  
**Raymond G. Smith**, Los Angeles, CA (US)

(73) Assignee: **Laars, Inc.**, Newport Beach, CA (US)

(\*\*) Term: **14 Years**

(21) Appl. No.: **29/179,690**

(22) Filed: **Apr. 11, 2003**

(51) **LOC (7) Cl.** ..... **15-05**

(52) **U.S. Cl.** ..... **D32/32**

(58) **Field of Search** ..... D32/38-39, 21-22,  
D32/25, 31-34; 15/350-351, 347, 363,  
41.1, 410, 412, 415.1-422, 422.1, 398,  
400, 320-322, 1.7

(56) **References Cited**

**U.S. PATENT DOCUMENTS**

- 1,533,368 A \* 4/1925 Berg ..... 15/415.1
- D148,773 S \* 2/1948 Kadet et al. .... D32/38
- D203,969 S \* 3/1966 Frazer ..... D32/38
- 3,273,187 A \* 9/1966 Williams ..... 15/1.7

- D208,851 S \* 10/1967 Lindberg, Jr. .... D32/33
- 3,360,816 A \* 1/1968 Fontecchio ..... 15/1.7
- D229,017 S \* 11/1973 Kopecky ..... D32/32
- D459,036 S \* 6/2002 Bredo et al. .... D32/1
- 6,430,773 B1 \* 8/2002 Buron et al. .... 15/420

\* cited by examiner

*Primary Examiner*—Ruth McInroy

(74) *Attorney, Agent, or Firm*—Buchanan Ingersoll, P.C.

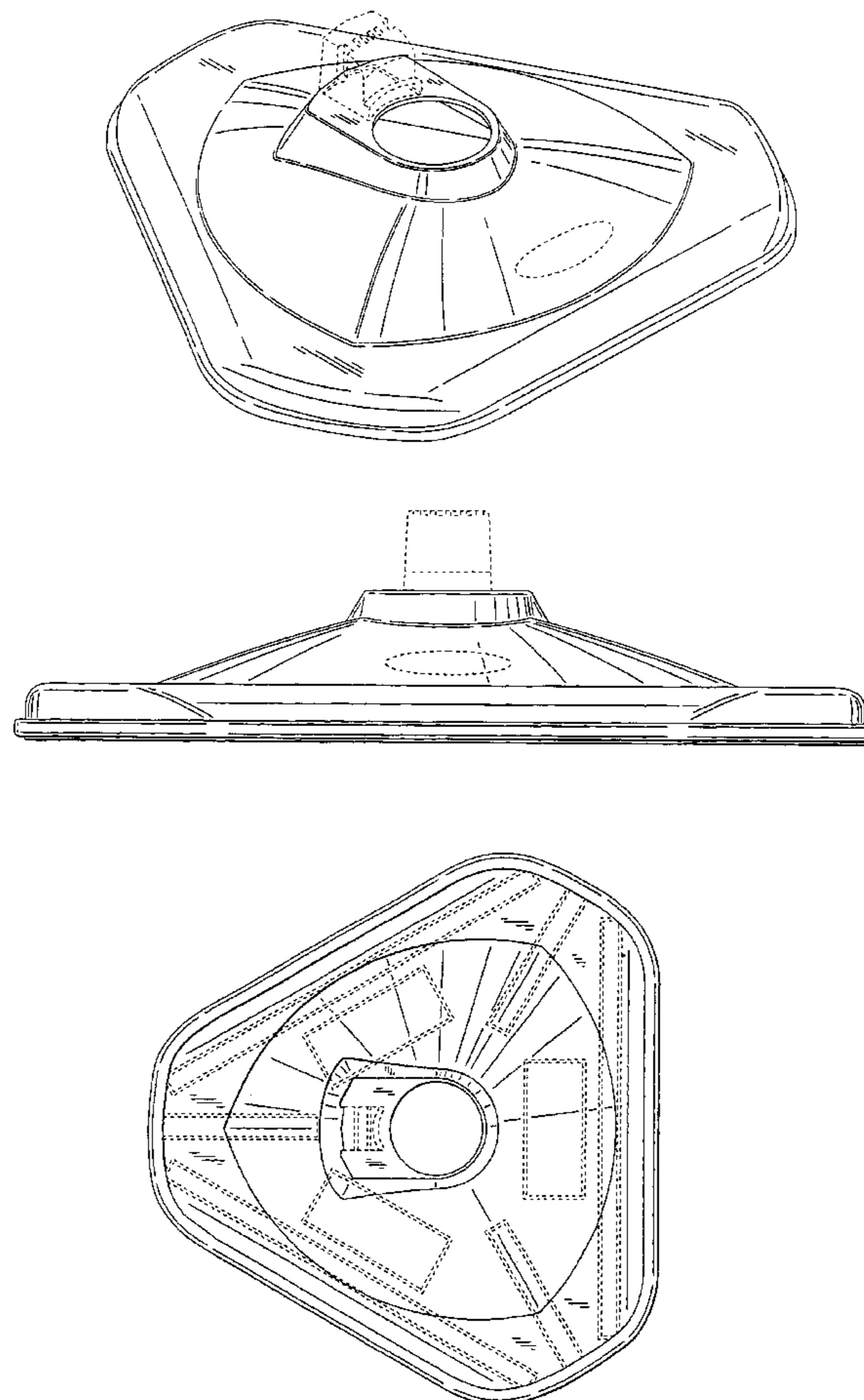
(57) **CLAIM**

The ornamental design for a vacuum cleaner head, as shown and described.

**DESCRIPTION**

FIG. 1 is a perspective view of a vacuum cleaner head showing our new design;  
 FIG. 2 is a front elevational view thereof;  
 FIG. 3 is a rear elevational view thereof;  
 FIG. 4 is a right side elevational view thereof;  
 FIG. 5 is a left side elevational view thereof;  
 FIG. 6 is a top plan view thereof; and,  
 FIG. 7 is a bottom plan view thereof.  
 The phantom lines in FIGS. 1-7 are for illustrative purposes only and form no part of the design.

**1 Claim, 7 Drawing Sheets**



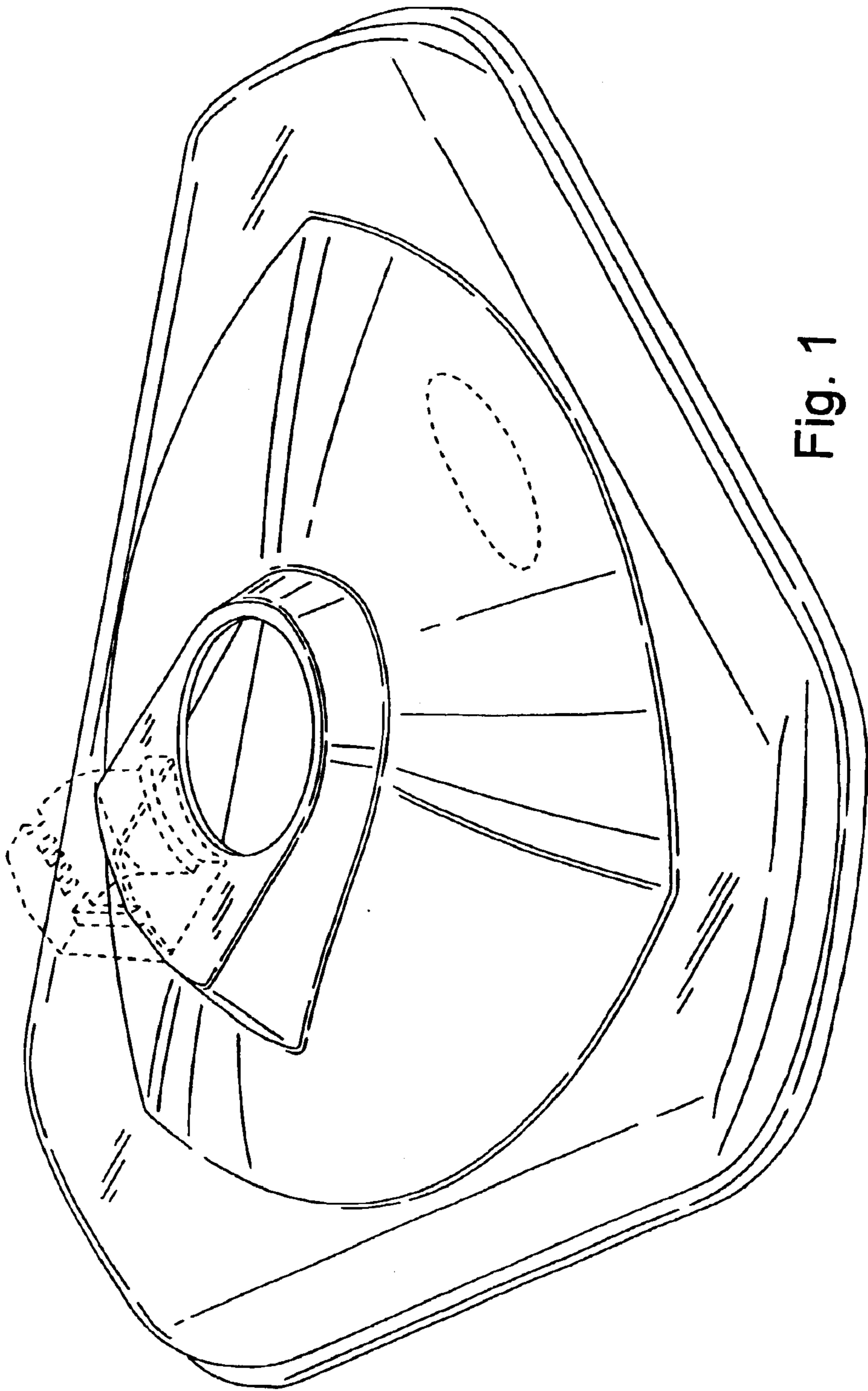


Fig. 1

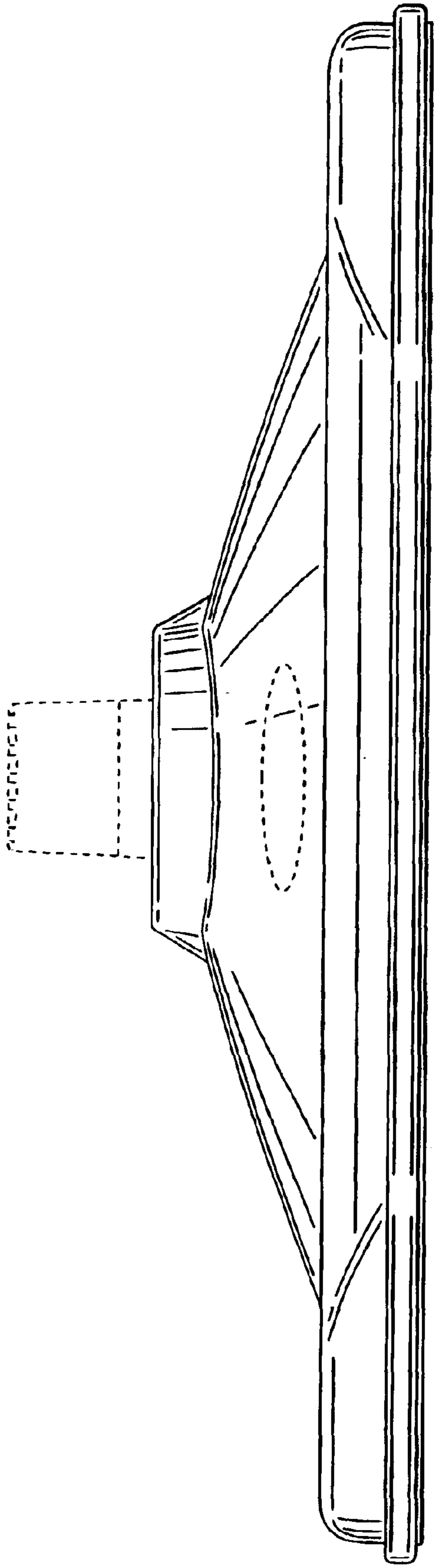


Fig. 2

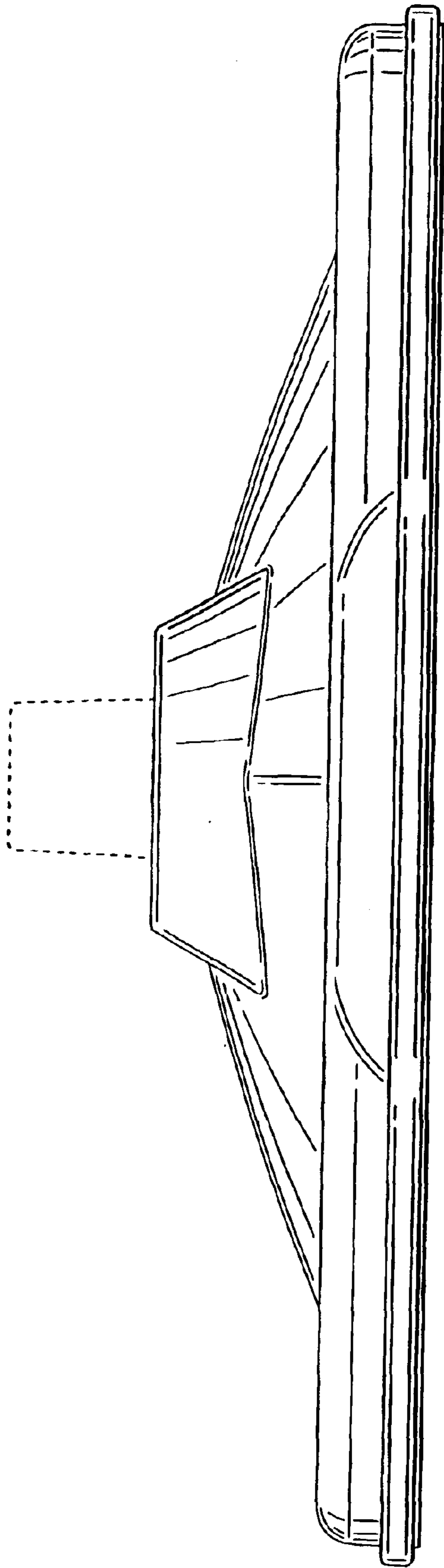


Fig. 3

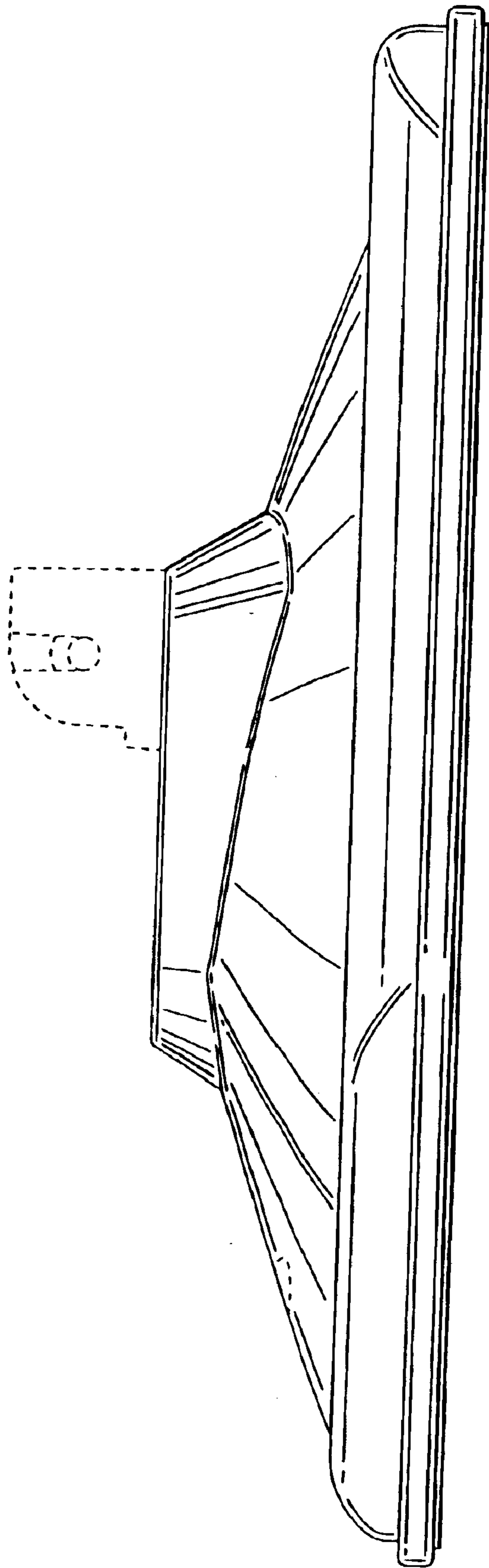


Fig. 4

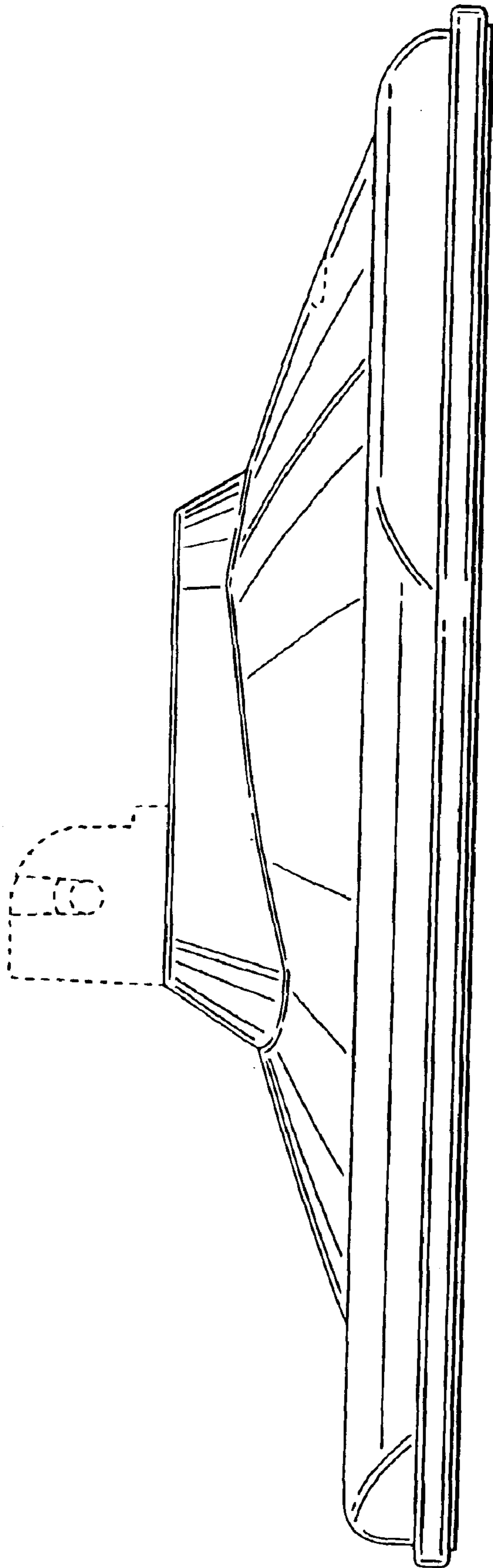


Fig. 5



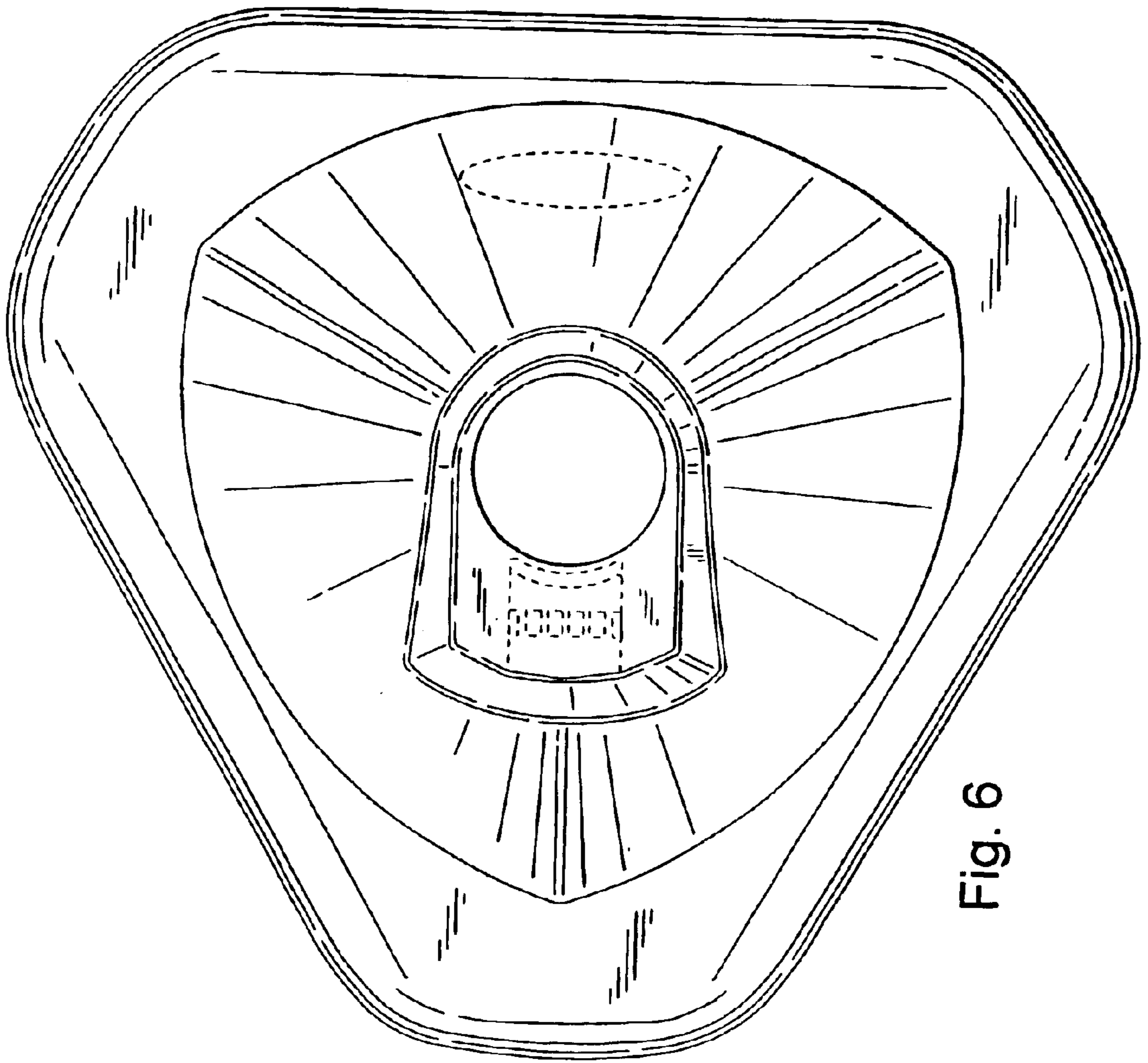


Fig. 6

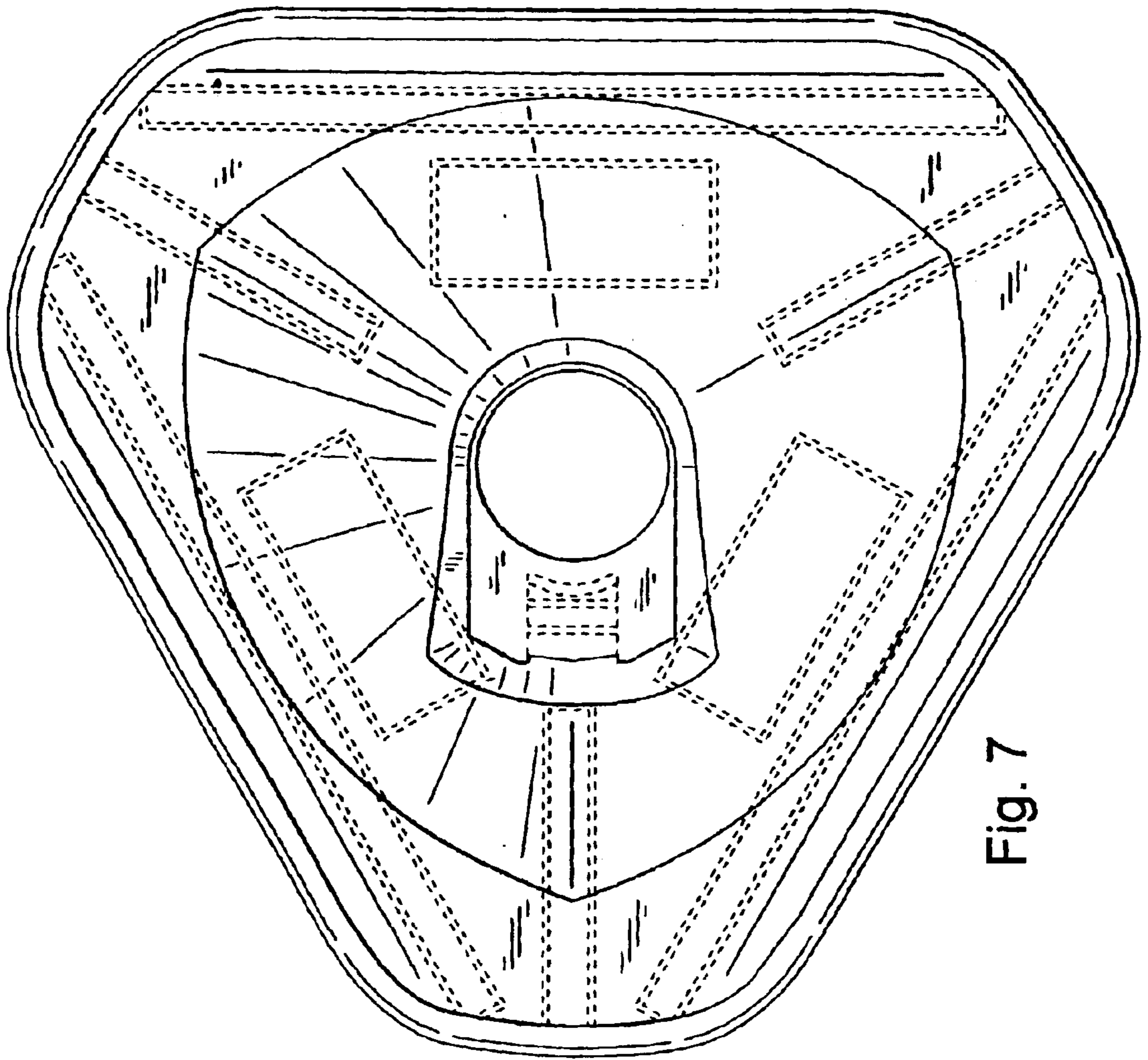


Fig. 7