



US00D488599S

(12) **United States Design Patent**
Chika

(10) **Patent No.:** **US D488,599 S**

(45) **Date of Patent:** **** Apr. 13, 2004**

(54) **BLOWER NOZZLE**

(76) Inventor: **Akram E. Chika**, 2028 Renshaw Ct.,
El Cajon, CA (US) 92020

(**) Term: **14 Years**

(21) Appl. No.: **29/175,199**

(22) Filed: **Jan. 29, 2003**

Related U.S. Application Data

(62) Division of application No. 09/584,423, filed on Jun. 5,
2000, now abandoned.

(51) **LOC (7) Cl.** **15-01**

(52) **U.S. Cl.** **D32/25**

(58) **Field of Search** D32/1, 4, 15, 17,
D32/25, 32; 15/344, 345, 300.1, 303, 315,
321, 415.1, 420, 422; 34/541, 585, 638;
239/556, 566, 568, DIG. 19, DIG. 21

(56) **References Cited**

U.S. PATENT DOCUMENTS

4,038,191 A * 7/1977 Davis et al. 239/566

4,848,670 A * 7/1989 Belanger et al. 239/566
D308,123 S * 5/1990 Astley et al. D32/4
D319,714 S * 9/1991 Gierke et al. D32/15

* cited by examiner

Primary Examiner—Louis S. Zarfes
Assistant Examiner—Robert A. Delehanty
(74) *Attorney, Agent, or Firm*—Calif Tervo

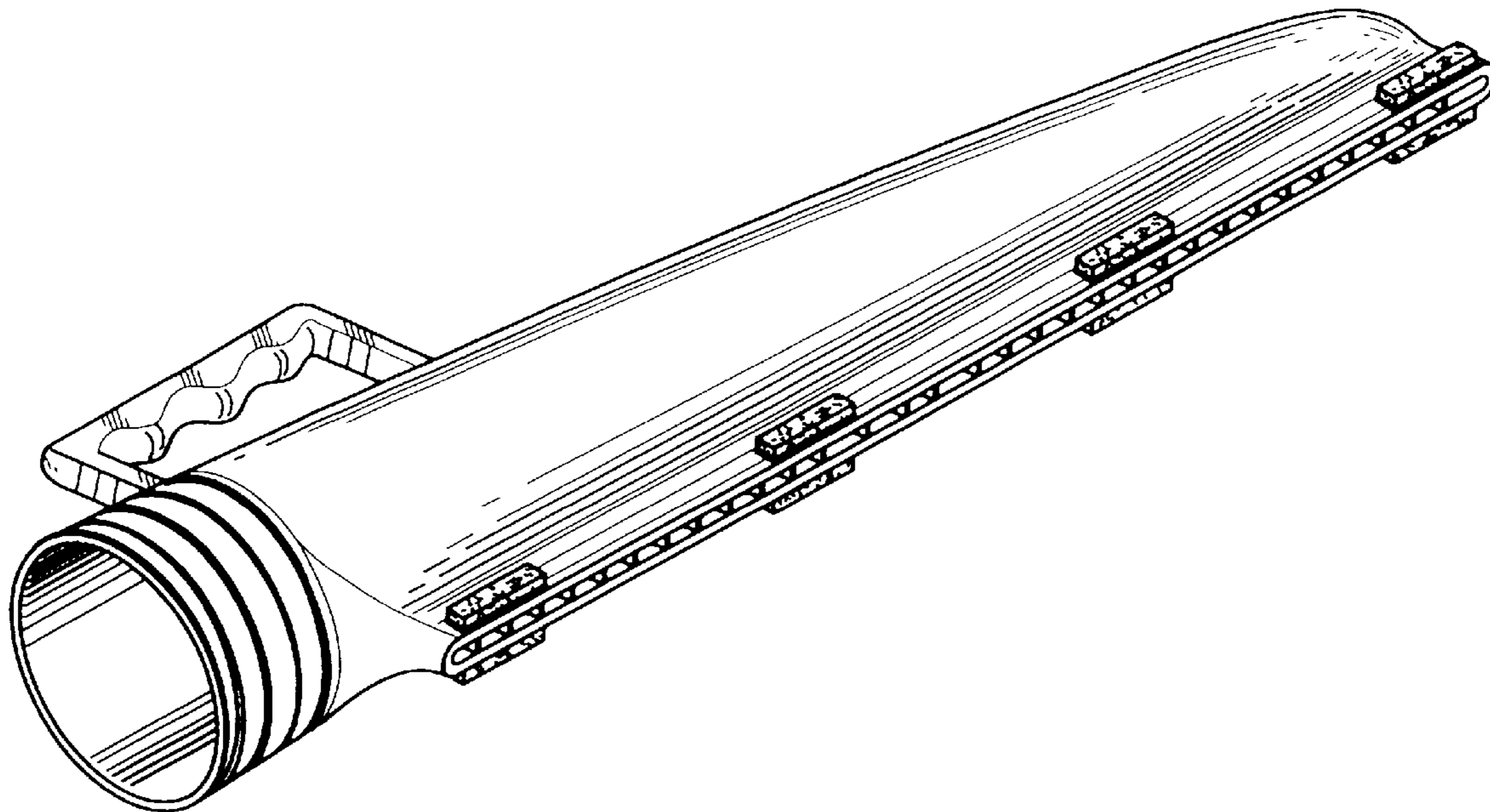
(57) **CLAIM**

The design for a blower nozzle, as shown and described.

DESCRIPTION

FIG. 1 is a perspective view of a blower nozzle showing my
new design;
FIG. 2 is a rear elevation view thereof;
FIG. 3 is a front elevation view thereof;
FIG. 4 is a left side elevation view thereof; the right side
being a mirror image;
FIG. 5 is a bottom plan view thereof; and,
FIG. 6 is a top plan view thereof.

1 Claim, 2 Drawing Sheets



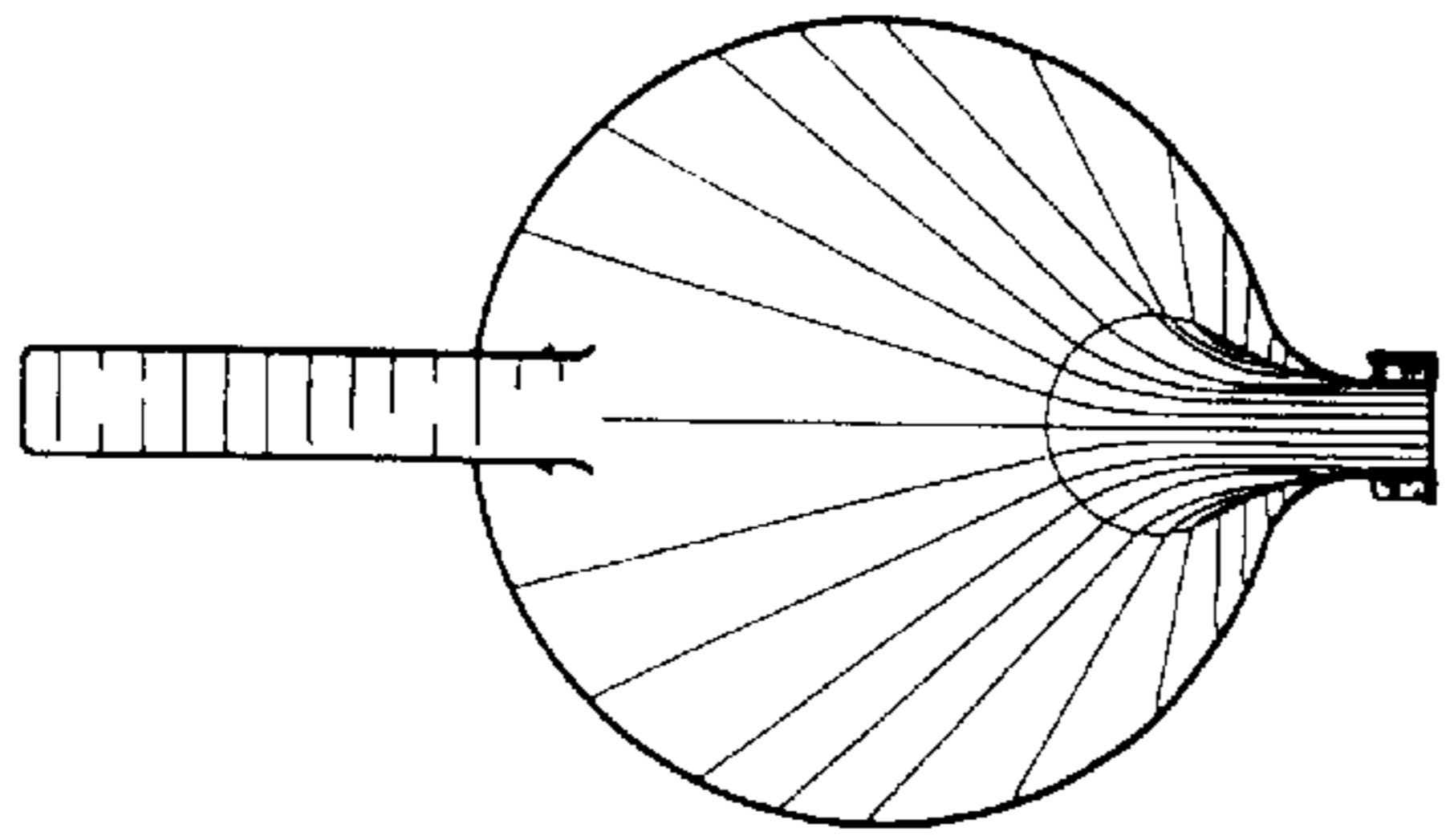


FIG. 3

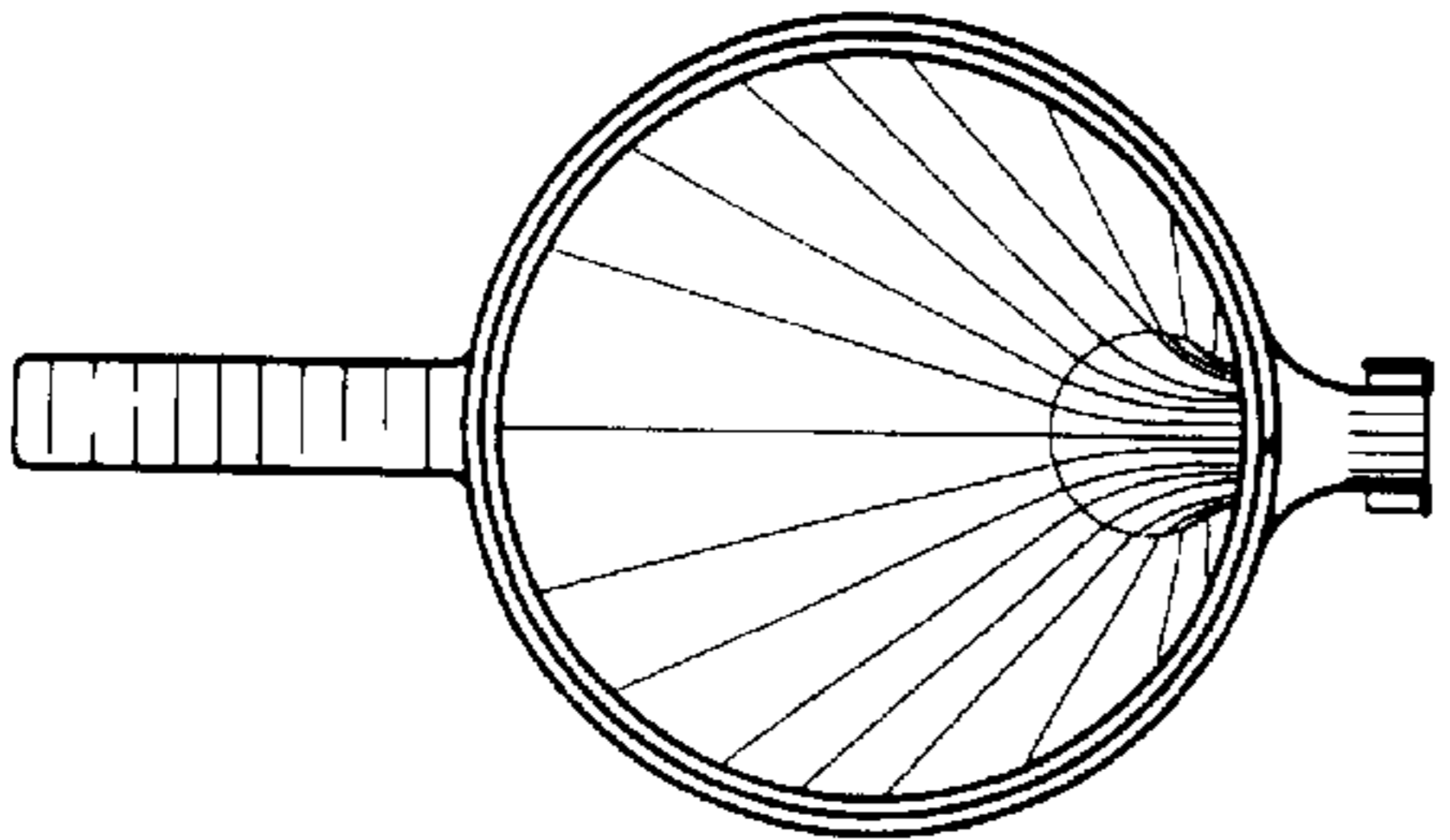


FIG. 2

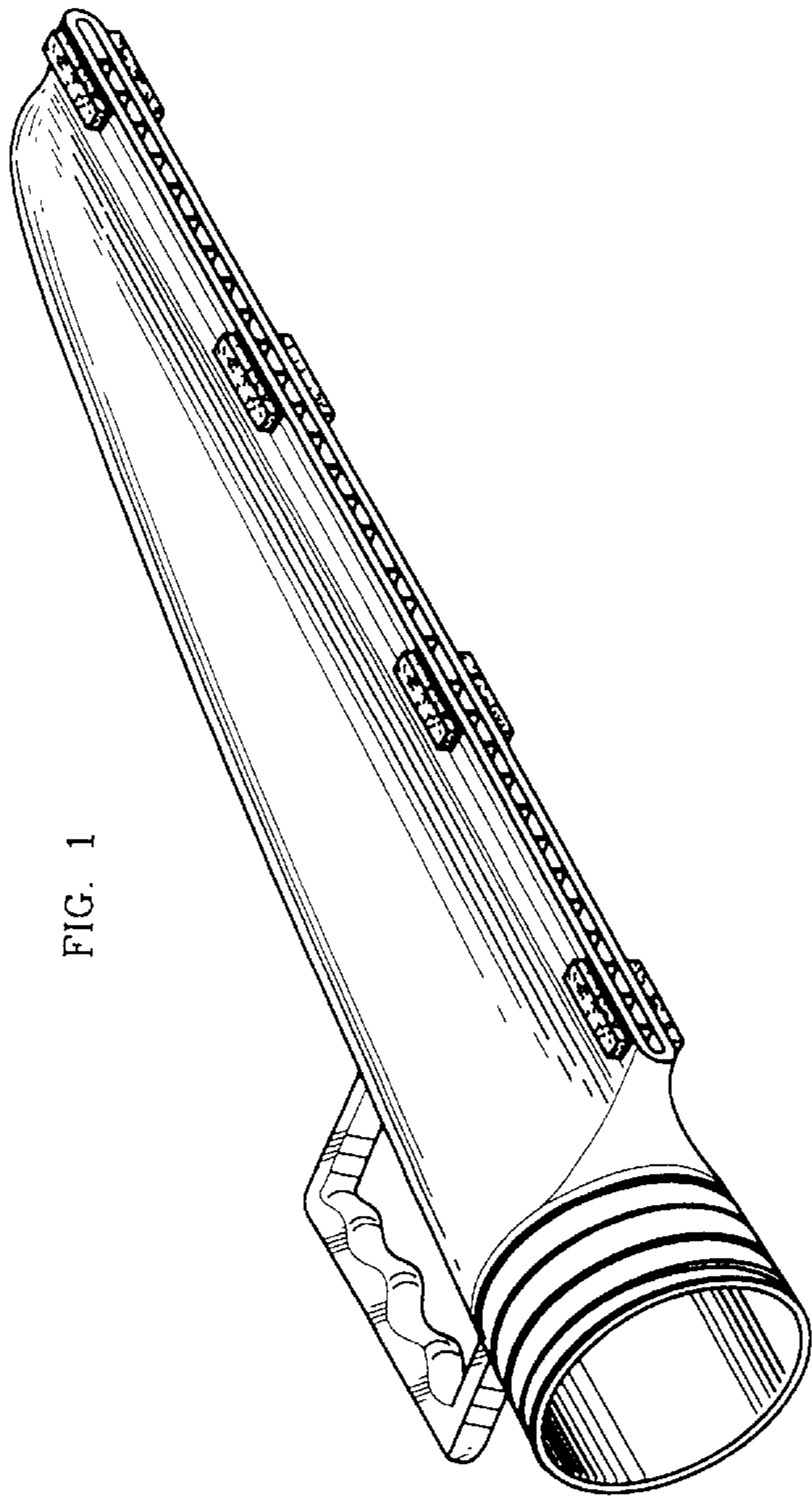


FIG. 1

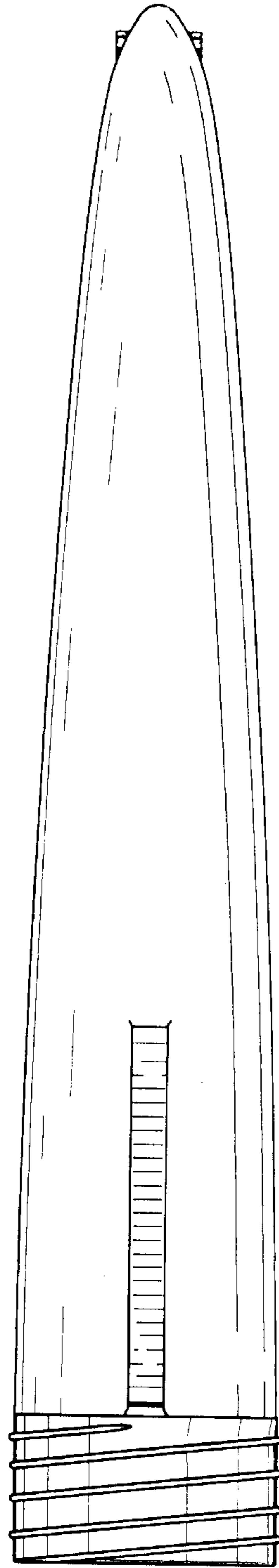


FIG. 6

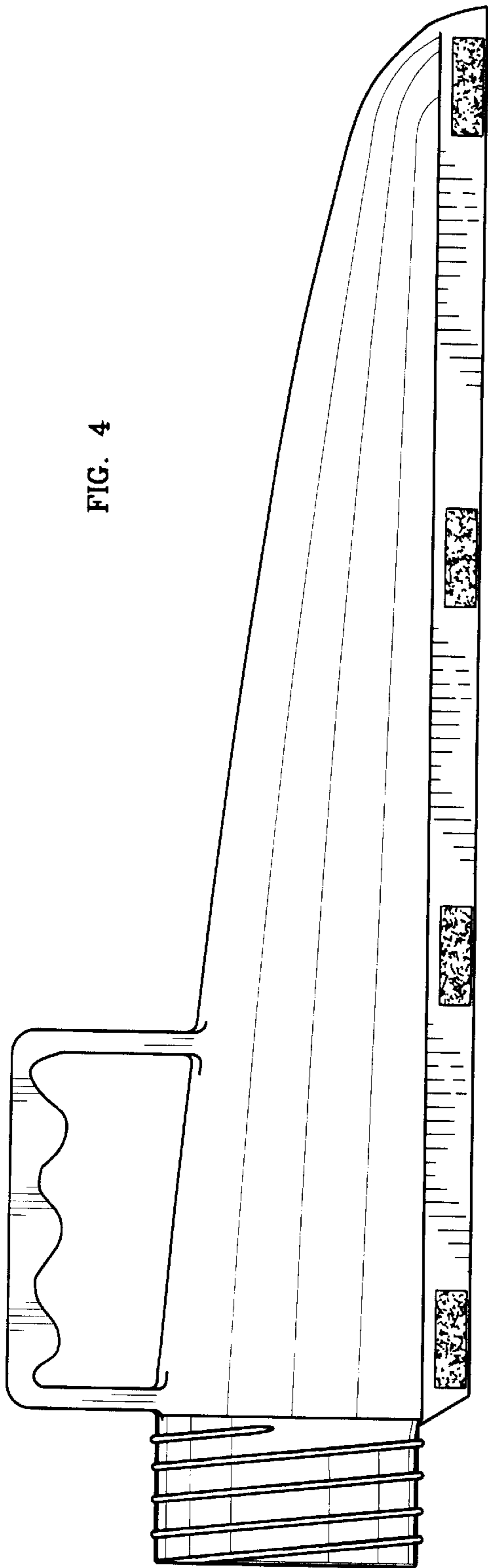


FIG. 4

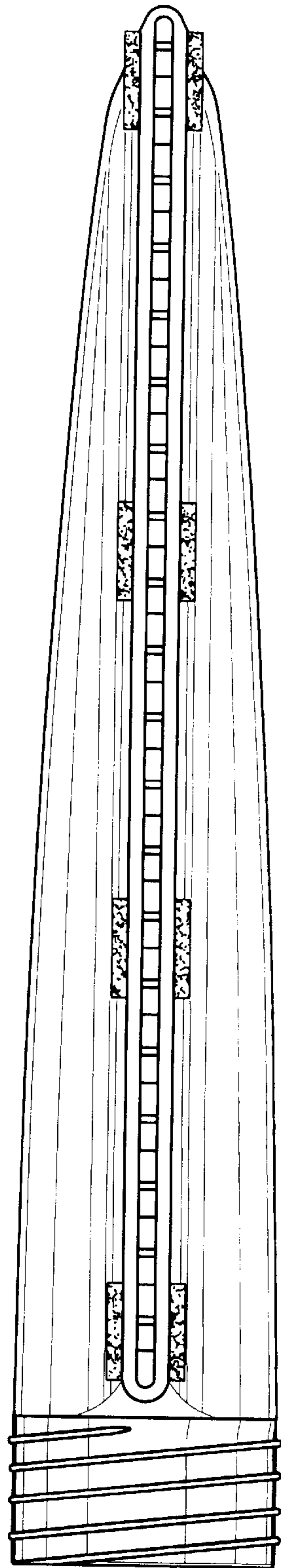


FIG. 5