



US00D488598S

(12) **United States Design Patent**
Wakasa

(10) **Patent No.:** **US D488,598 S**

(45) **Date of Patent:** **** Apr. 13, 2004**

(54) **VACUUM CLEANER**

D446,613 S 8/2001 Hirokawa

(75) Inventor: **Masamichi Wakasa**, Koto-ku (JP)

FOREIGN PATENT DOCUMENTS

(73) Assignee: **Kabushiki Kaisha Toshiba**, Tokyo (JP)

DE 499 01 892 12/2001

(**) Term: **14 Years**

OTHER PUBLICATIONS

(21) Appl. No.: **29/176,991**

Haier Home Appliances 2001 Catalog, ZW1000-2, dated Dec. 12, 2001.

(22) Filed: **Mar. 4, 2003**

* cited by examiner

(30) **Foreign Application Priority Data**

Sep. 24, 2002 (JP) 2002-026027

Primary Examiner—Ruth McInroy

(74) *Attorney, Agent, or Firm*—Banner & Witcoff, Ltd.

(51) **LOC (7) Cl.** **15-05**

(57) **CLAIM**

(52) **U.S. Cl.** **D32/21**

The ornamental design for a vacuum cleaner, as shown and described.

(58) **Field of Search** D32/21, 23-24,
D32/31; 15/327.1, 327.2, 327.3, 327.4,
327.6, 327.7, 323, 320-321, 412, 353

DESCRIPTION

(56) **References Cited**

U.S. PATENT DOCUMENTS

- D297,475 S 8/1988 Umehara et al.
- D297,675 S 9/1988 Umehara et al.
- D394,528 S * 5/1998 Pochopien et al. D32/21
- D398,093 S * 9/1998 Fujima D32/21
- D403,475 S * 12/1998 Mehaffey et al. D32/21
- D417,323 S * 11/1999 Fujita et al. D32/21
- D446,363 S * 8/2001 Sato et al. D32/21

FIG. 1 is a top, front and right side perspective view of a vacuum cleaner showing my new design; FIG. 2 is a front elevational view thereof, FIG. 3 is a rear elevational view thereof, FIG. 4 is a top plan view thereof, FIG. 5 is a right side elevation view, a left side elevation view being a mirror image thereof; and, FIG. 6 is a bottom plan view thereof.

1 Claim, 3 Drawing Sheets

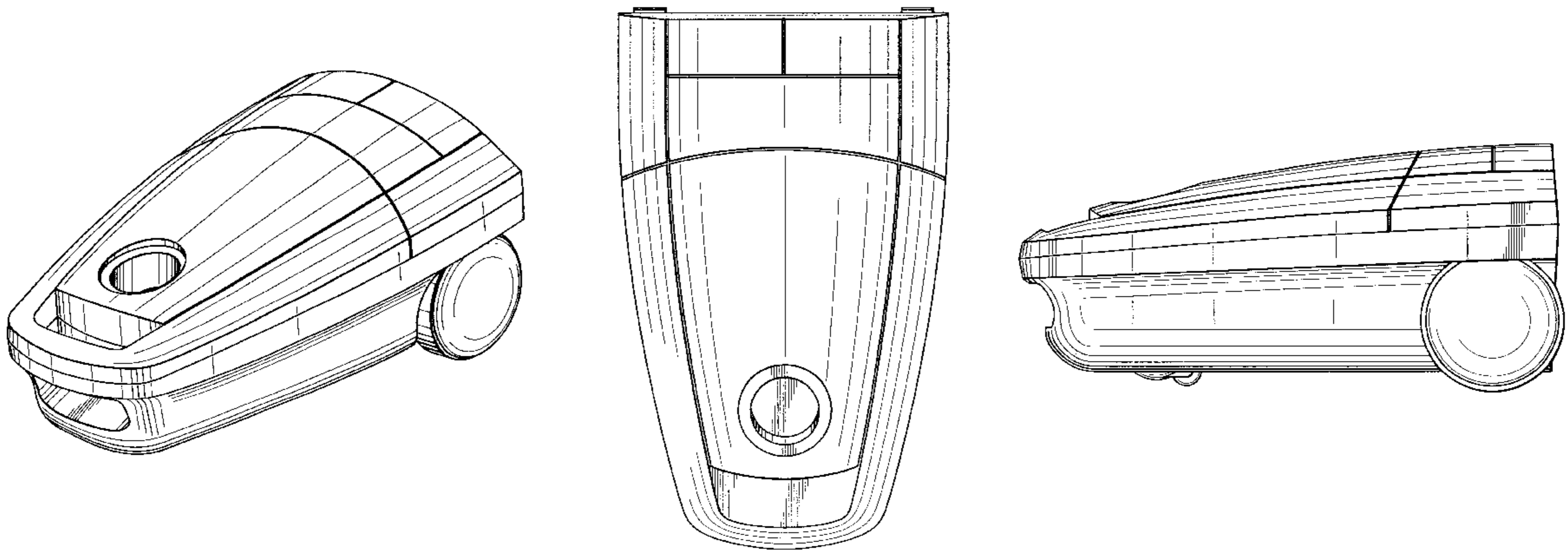


FIG. 1

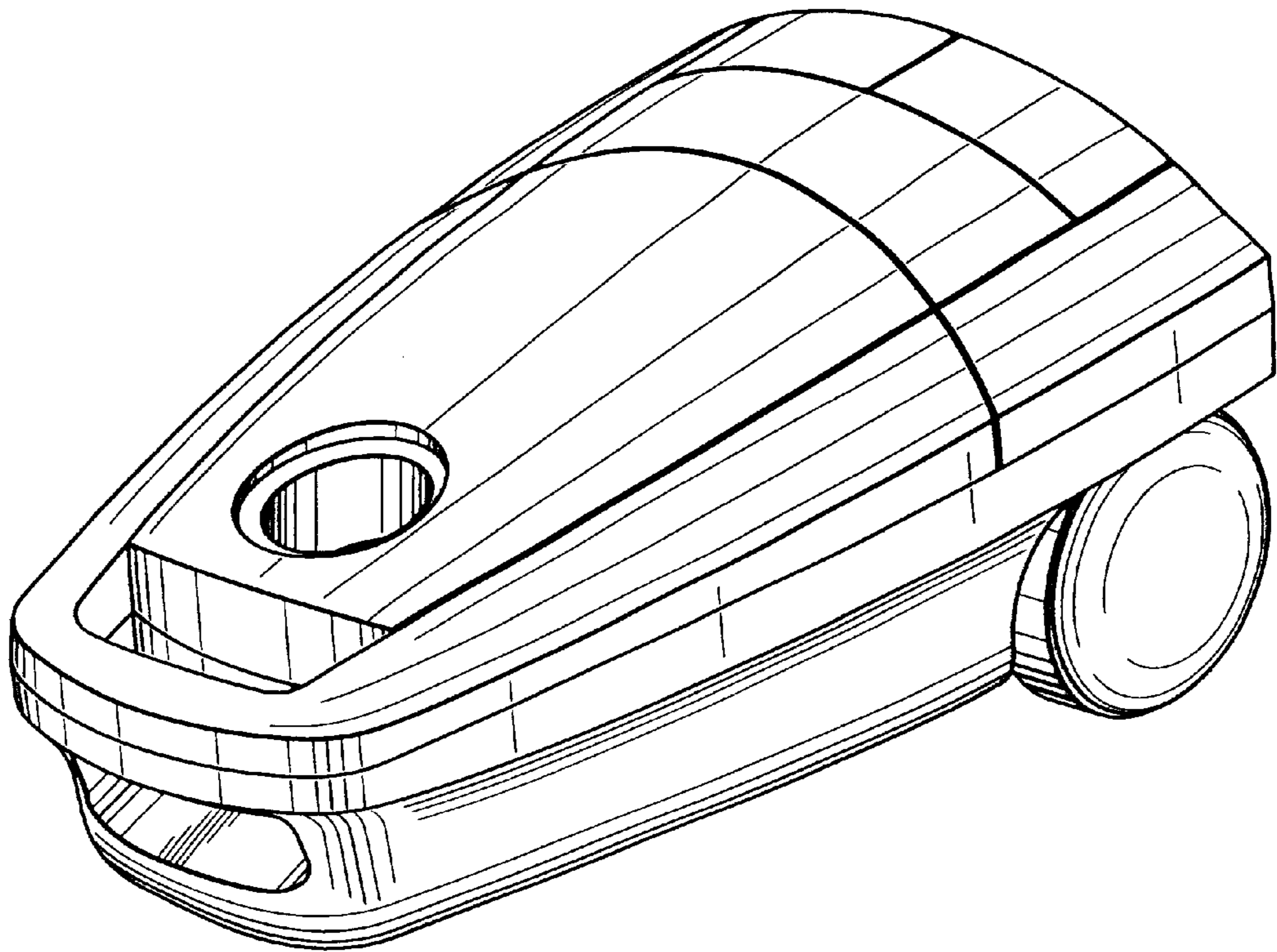


FIG. 2

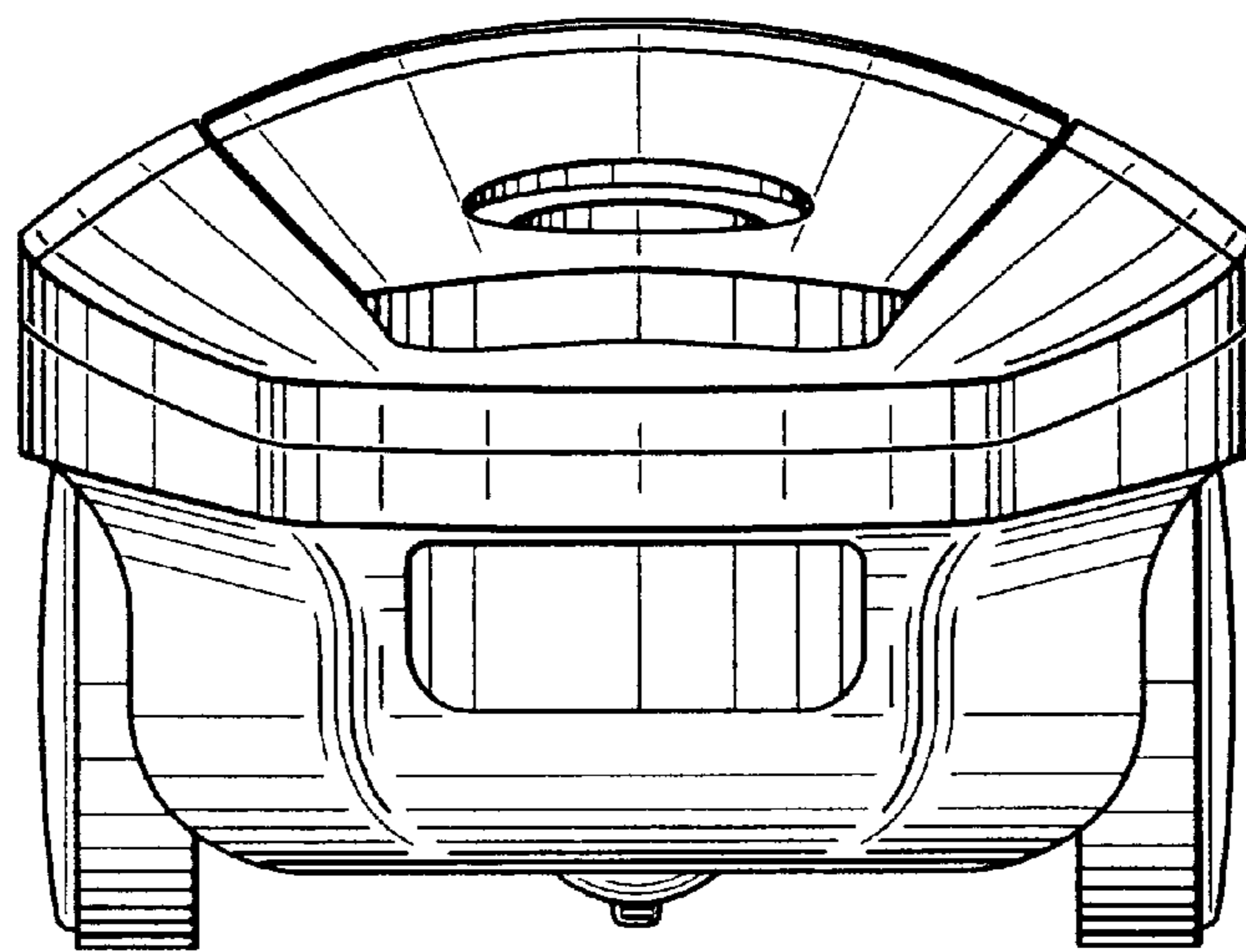


FIG. 3

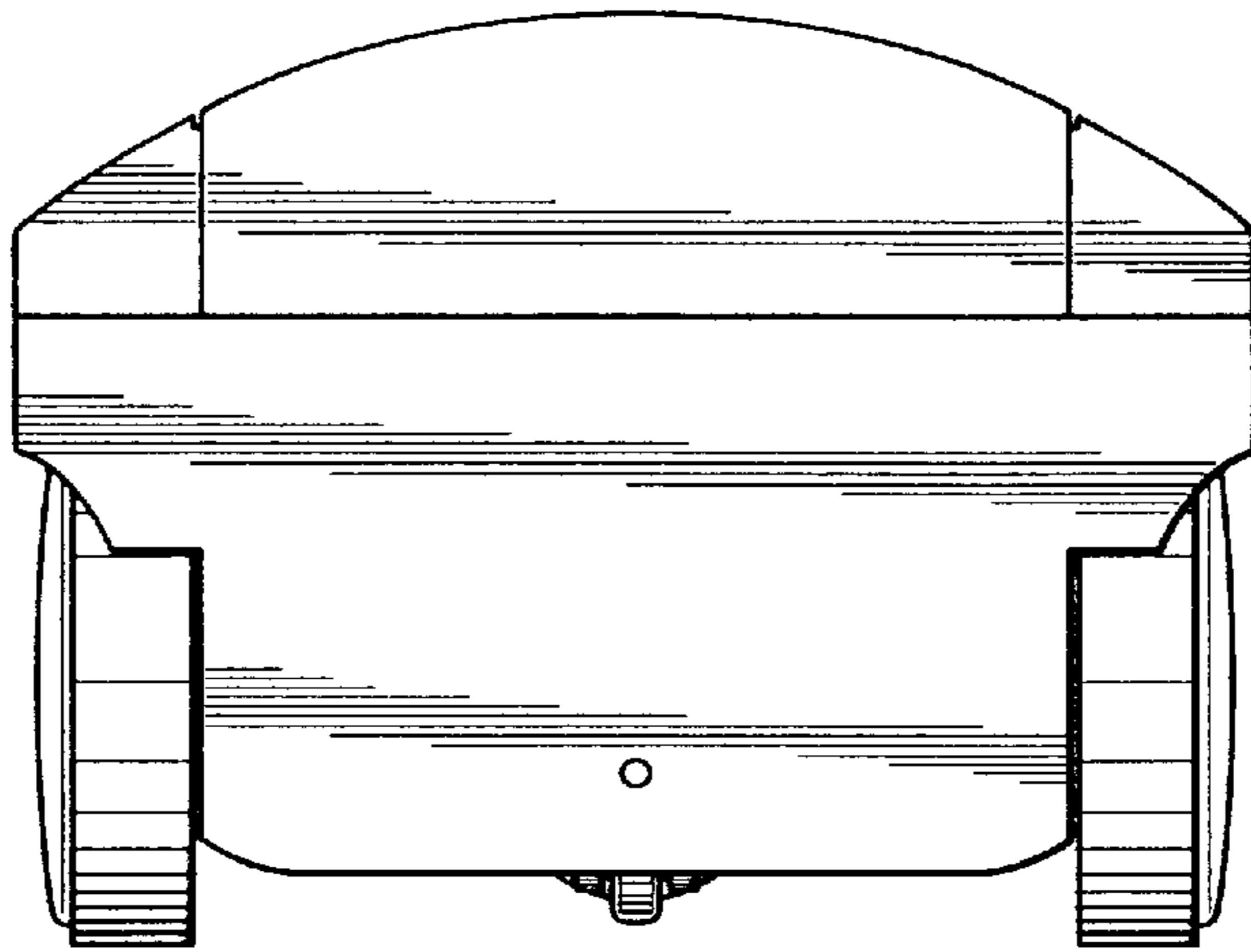


FIG. 4

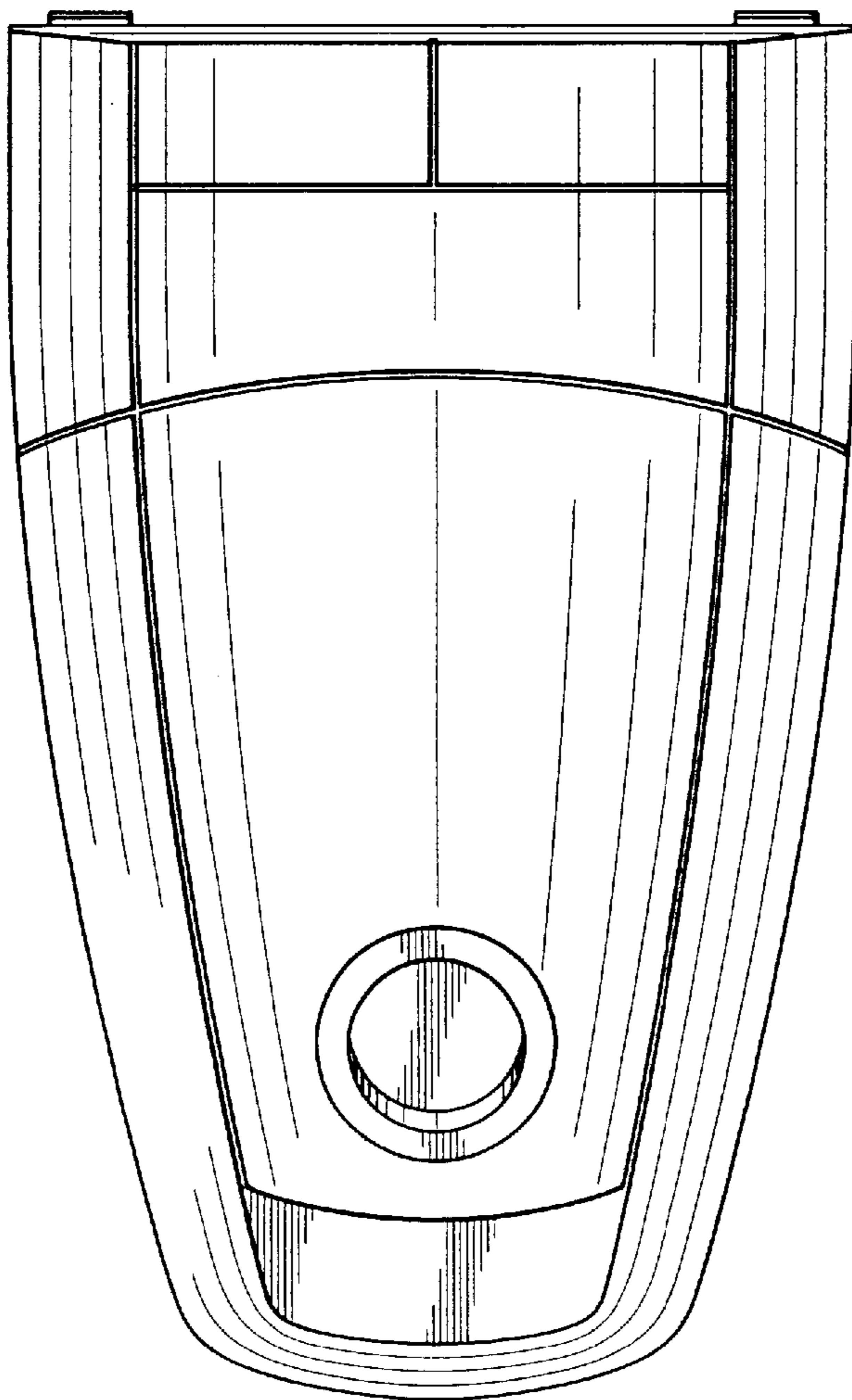


FIG. 5

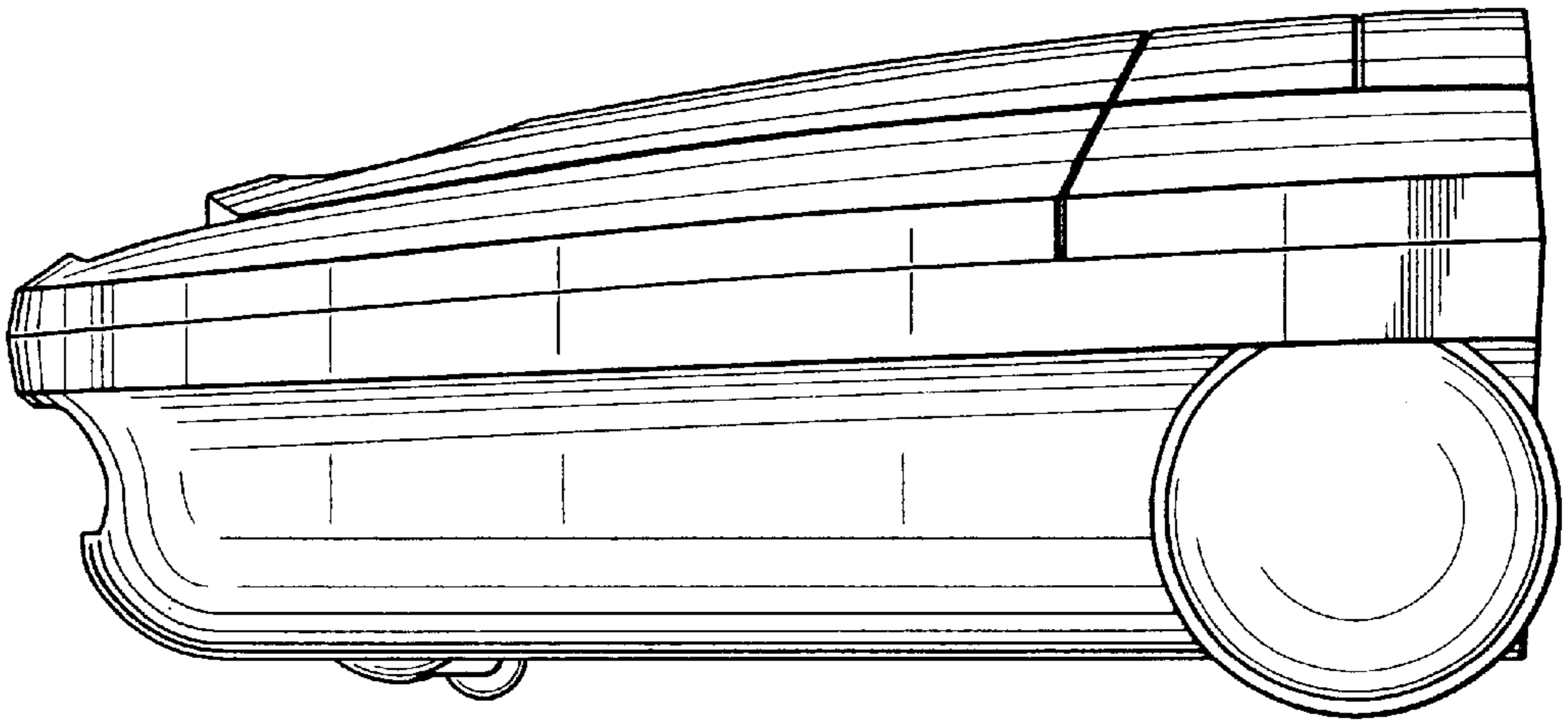


FIG. 6

