



US00D488595S

(12) **United States Design Patent**
Sun

(10) **Patent No.:** **US D488,595 S**

(45) **Date of Patent:** **** Apr. 13, 2004**

(54) **POLISHER**

(75) Inventor: **Xuefeng Sun**, Suzhou (CN)

(73) Assignee: **Positec Power Tools (Suzhou) Co., Ltd.**, Suzhou (CN)

(**) Term: **14 Years**

(21) Appl. No.: **29/178,136**

(22) Filed: **Mar. 21, 2003**

(30) **Foreign Application Priority Data**

Sep. 25, 2002 (CN) 02 3 34351

(51) **LOC (7) Cl.** **15-05**

(52) **U.S. Cl.** **D32/15; D8/62**

(58) **Field of Search** D8/61, 62, 67, D8/69; D32/15, 19; 15/97.1, 97.2; 173/168, 169, 170, 171; 310/50; 451/294, 344, 351, 353, 354, 355, 356, 357, 358, 359

(56) **References Cited**

U.S. PATENT DOCUMENTS

- D252,731 S * 8/1979 Parise D8/62
- D273,079 S * 3/1984 Ibaraki D8/62
- D312,714 S * 12/1990 Simonelli et al. D32/19

- D336,229 S * 6/1993 Bunyea D8/62
- D349,789 S * 8/1994 Bunyea D32/19
- D379,749 S * 6/1997 Gildersleeve et al. D8/67
- D418,264 S * 12/1999 Rees D32/19
- D449,502 S * 10/2001 Fraser et al. D8/62
- D465,074 S * 10/2002 McCracken et al. D32/15
- D471,681 S * 3/2003 Krieger et al. D32/15

* cited by examiner

Primary Examiner—Doris V. Coles
Assistant Examiner—Elizabeth Albert
(74) *Attorney, Agent, or Firm*—Hedman & Costigan, P.C.

(57) **CLAIM**

The ornamental design for a polisher, as shown and described.

DESCRIPTION

FIG. 1 is a front view of the polisher, which is the object of the present design;
FIG. 2 is a rear view thereof;
FIG. 3 is a left side view thereof;
FIG. 4 is a right side view thereof;
FIG. 5 is a top view thereof;
FIG. 6 is a bottom view thereof; and,
FIG. 7 is a perspective view thereof.

1 Claim, 4 Drawing Sheets

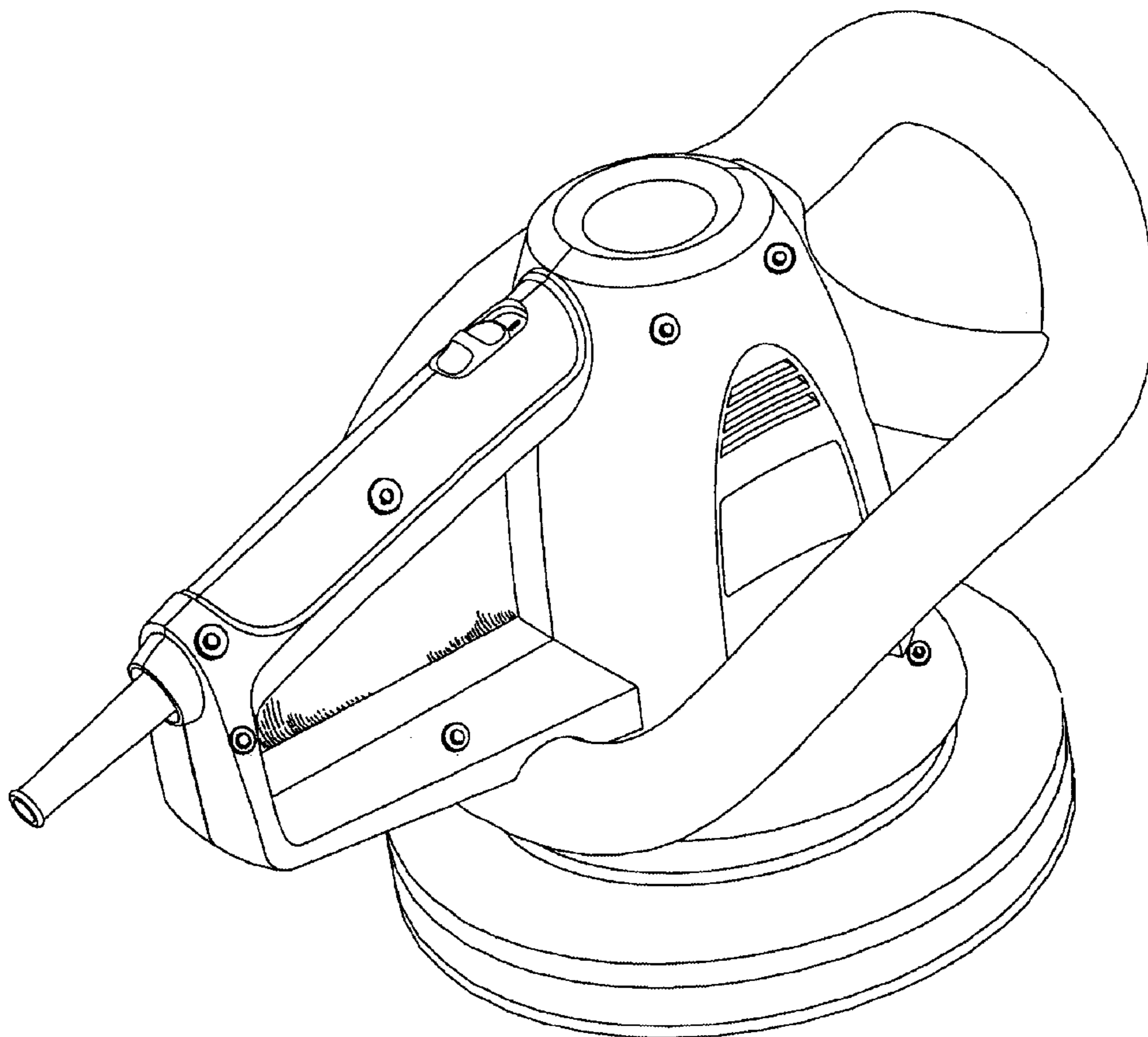


Fig. 1

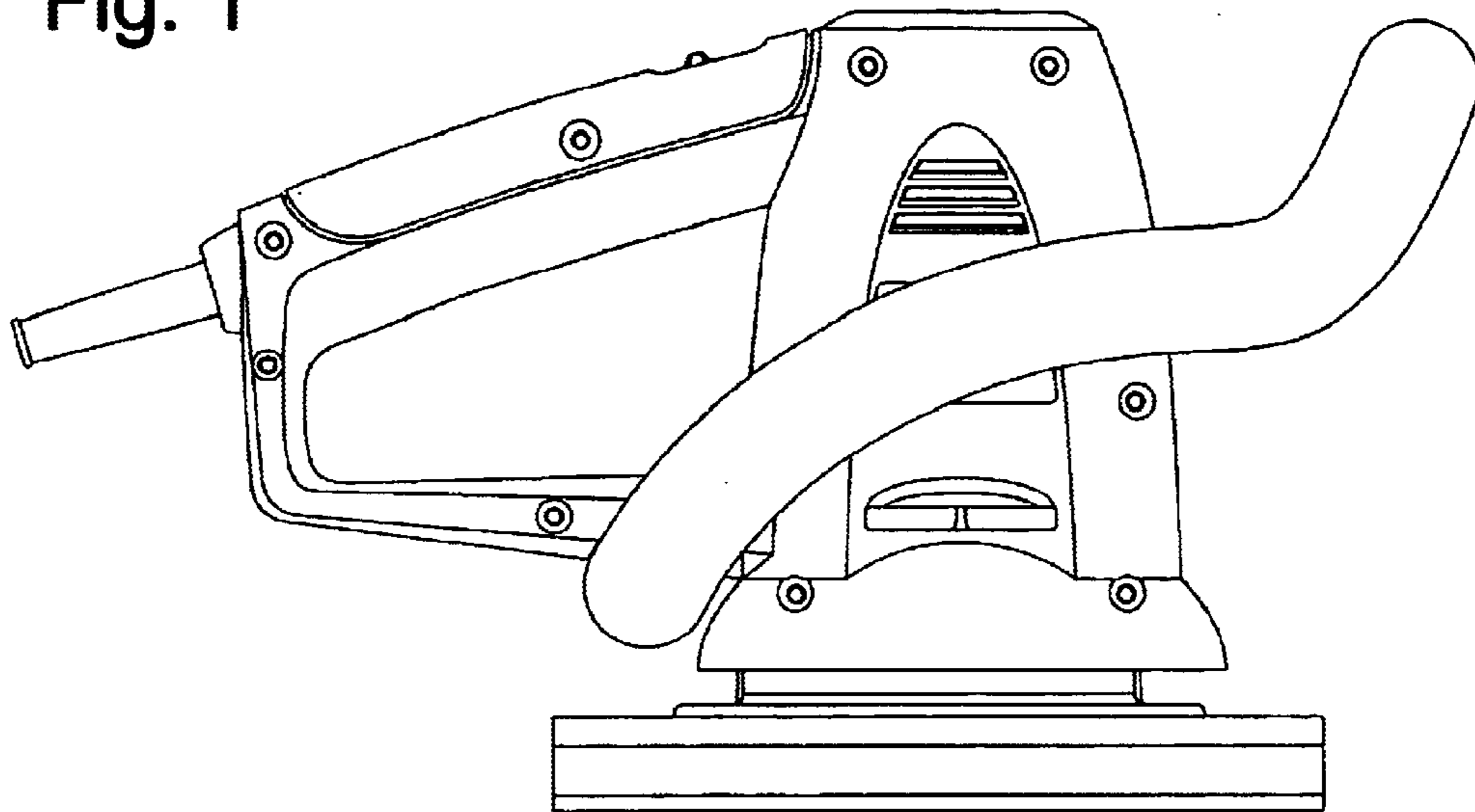


Fig. 2

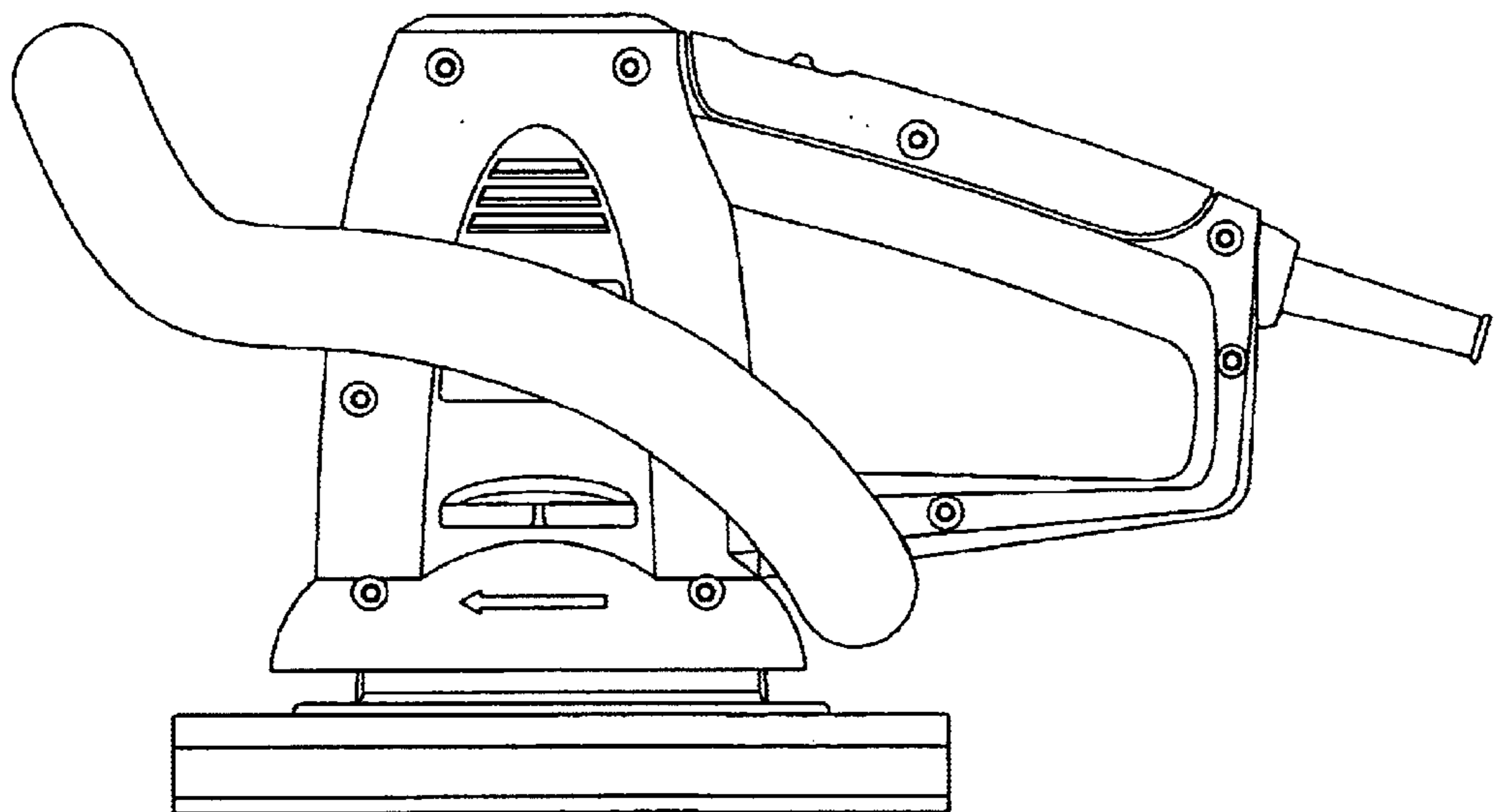


Fig. 3

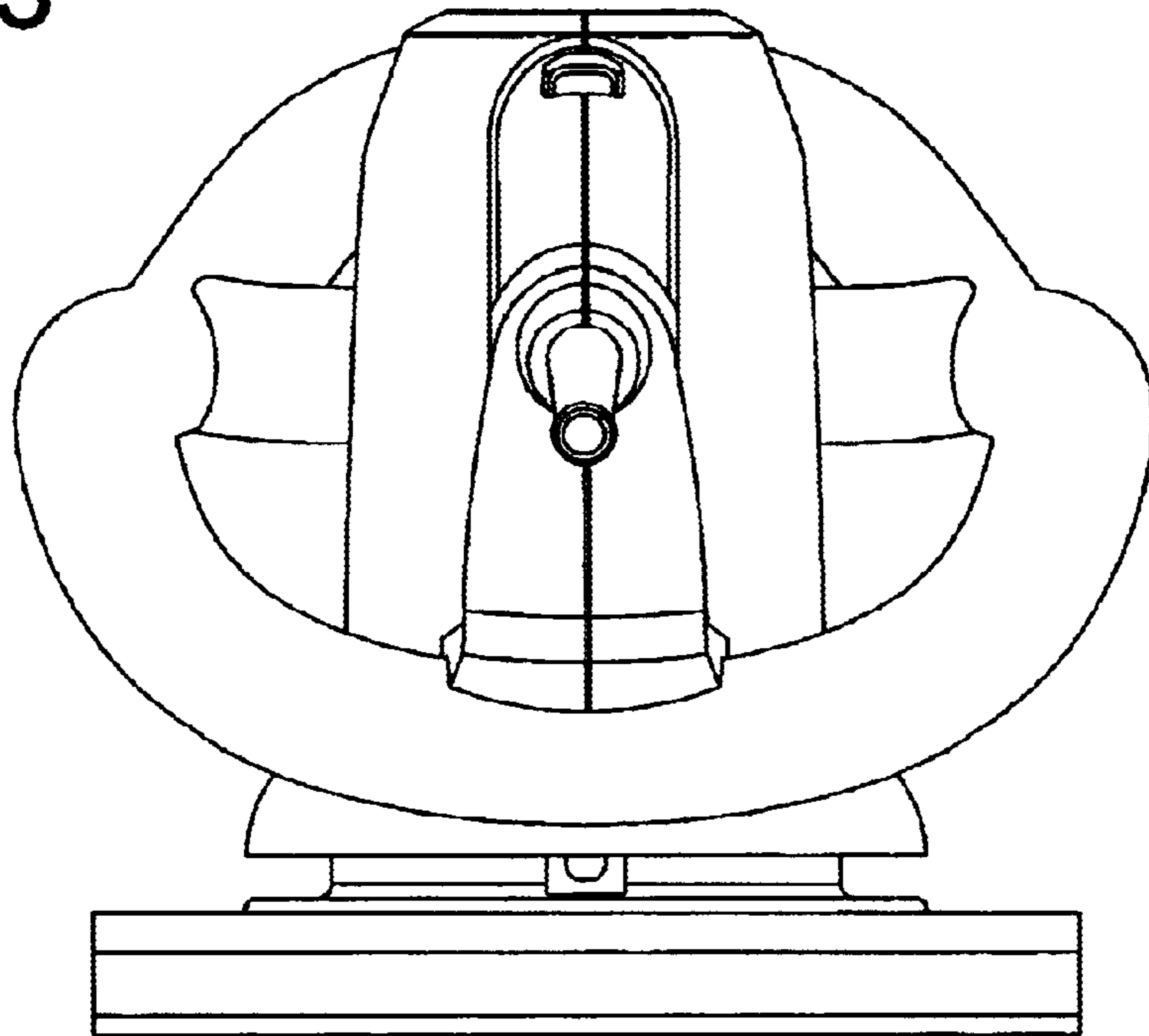


Fig. 4

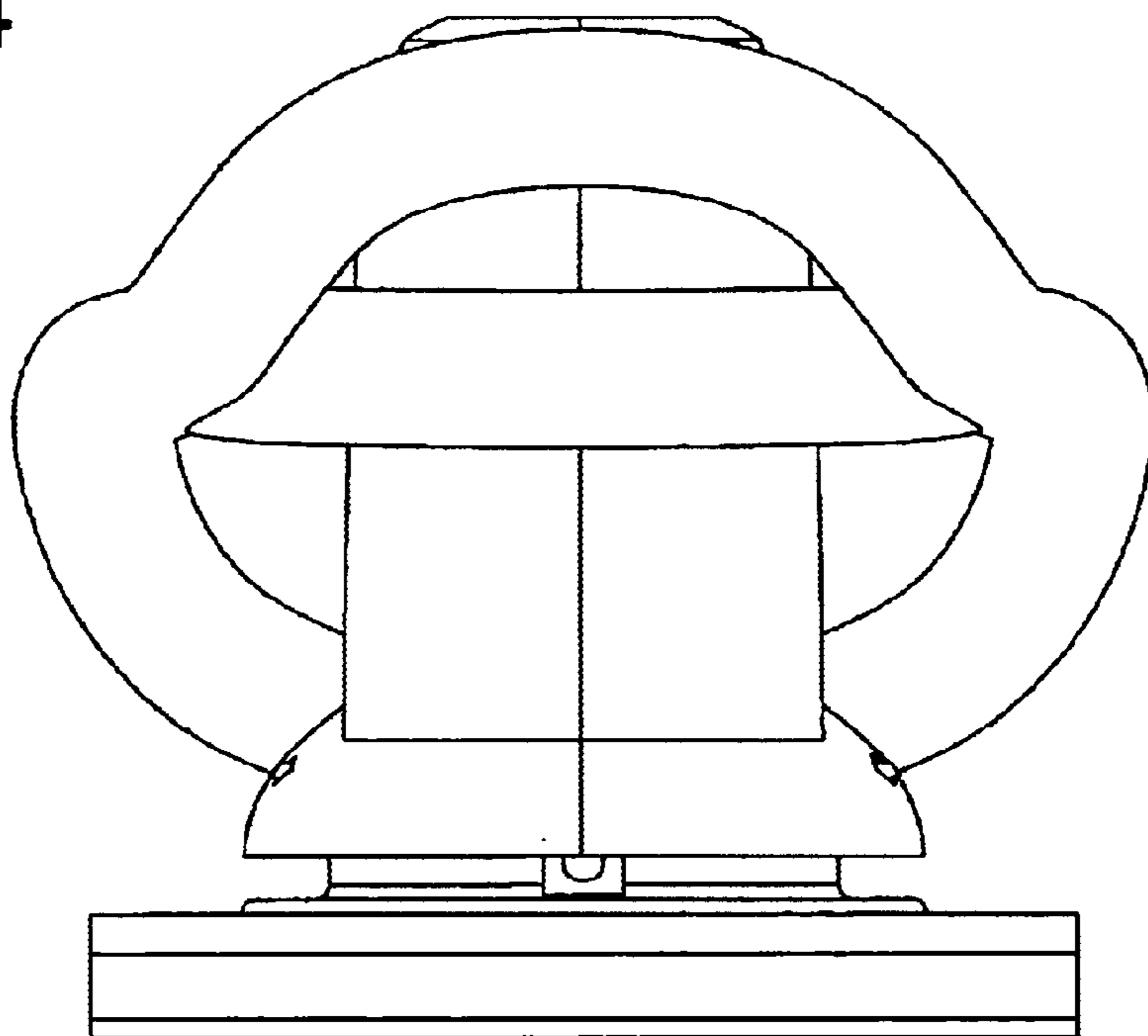


Fig. 5

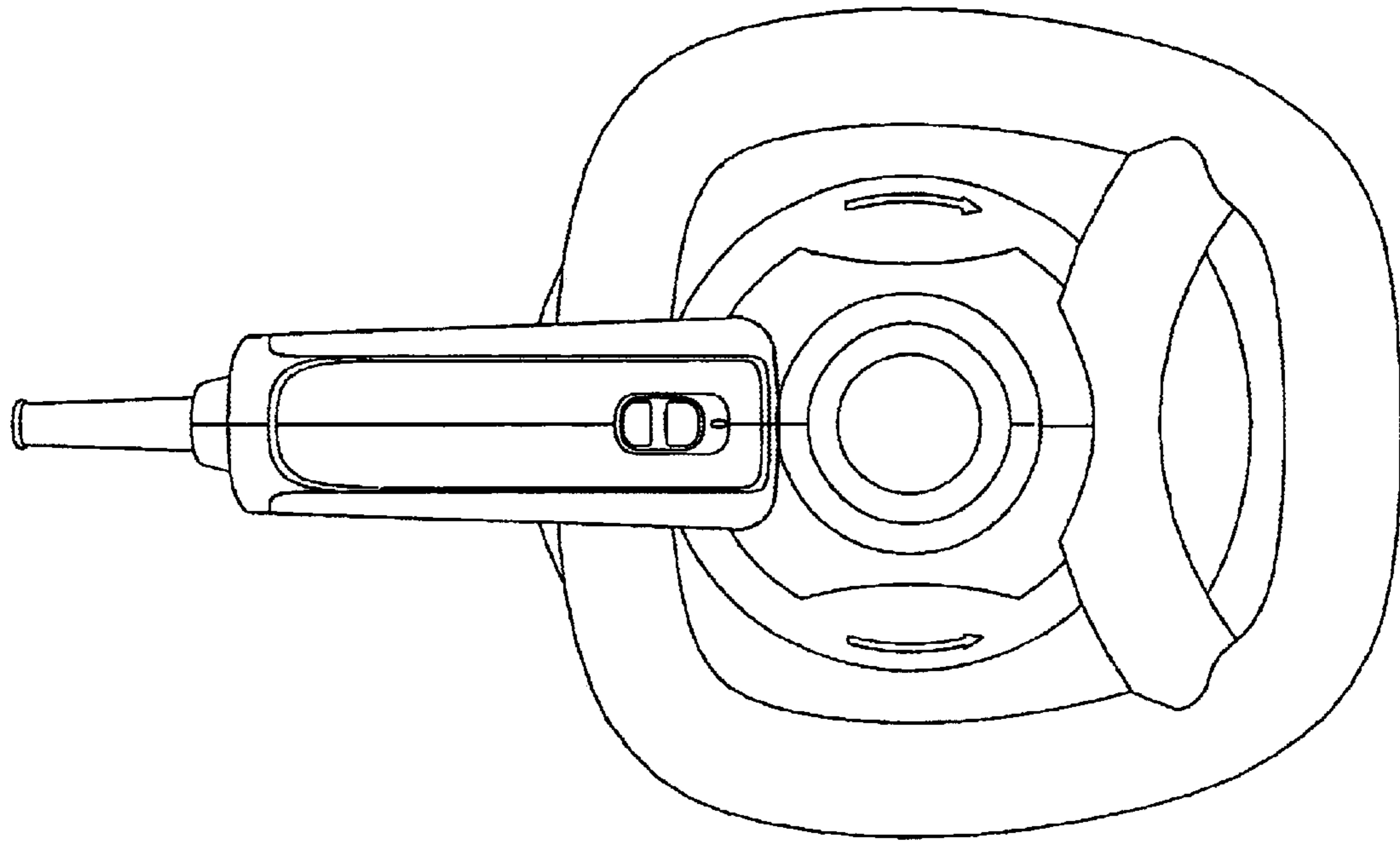
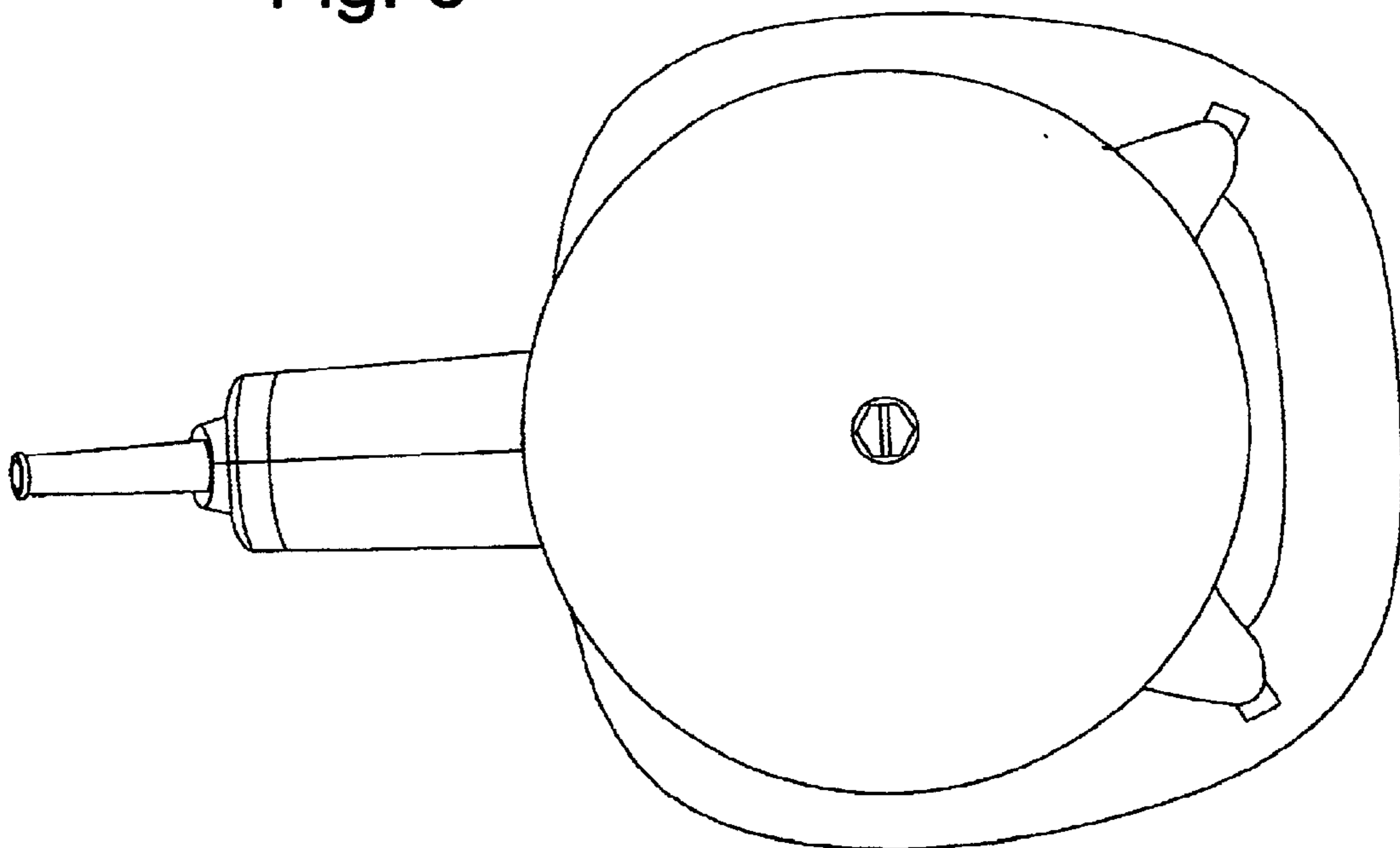


Fig. 6



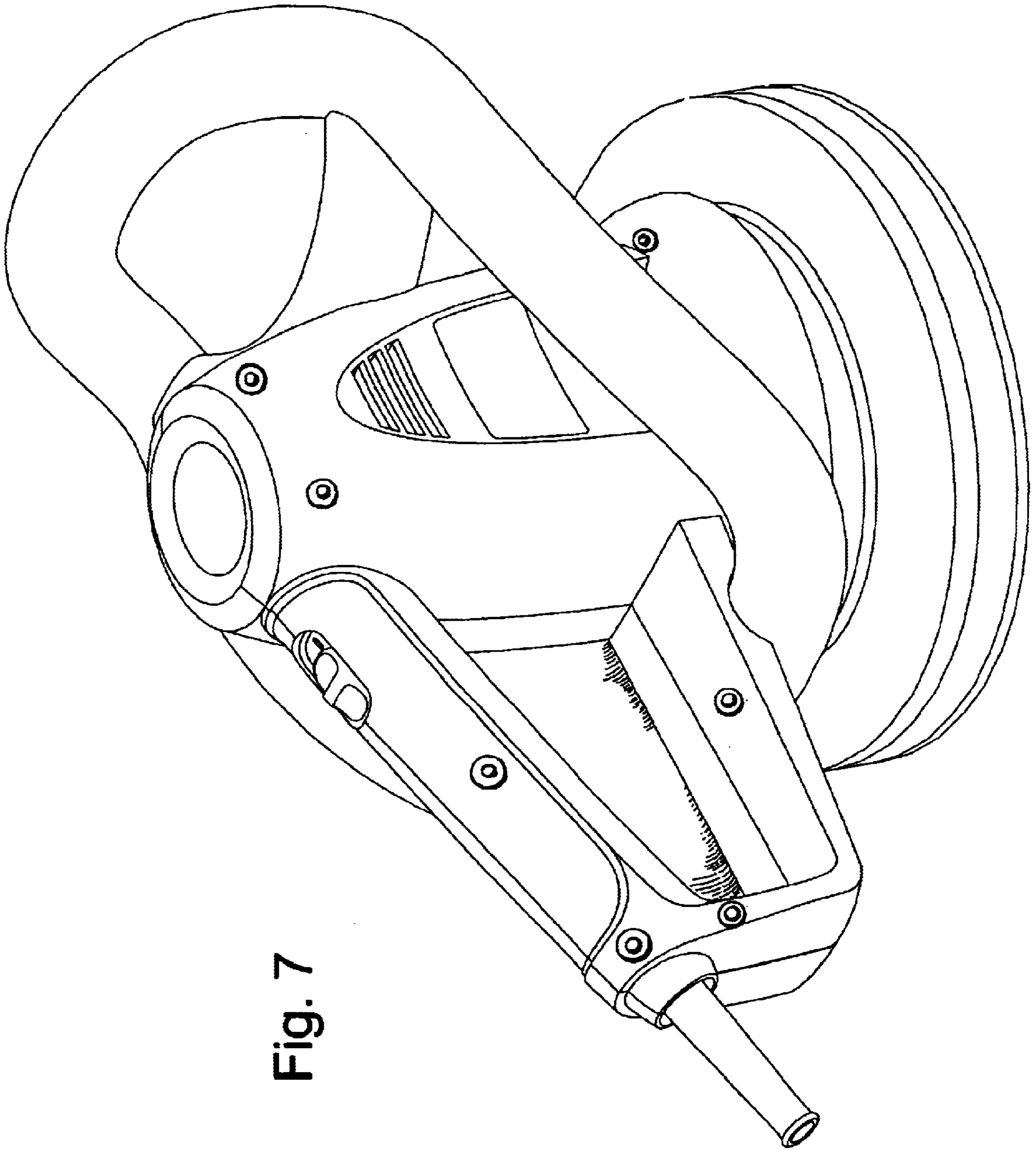


Fig. 7