



US00D488594S

(12) **United States Design Patent**
Miilu et al.

(10) **Patent No.: US D488,594 S**

(45) **Date of Patent: ** Apr. 13, 2004**

(54) **DISHWASHER RACK CLIP DESIGN**

D413,677 S * 9/1999 Dumitrescu et al. D24/229
6,123,204 A 9/2000 Nelson et al.
6,364,131 B1 4/2002 Moylan

(75) Inventors: **John H. Miilu**, Jackson, TN (US);
Christopher W. Vaughn, Jackson, TN
(US); **Thomas M. Johnson**, Jackson,
TN (US); **Karl R. C. Wendt**, Jackson,
TN (US); **Barry E. Tuller**, Humboldt,
TN (US)

* cited by examiner

Primary Examiner—Louis S. Zarfes
Assistant Examiner—Robert A. Delehanty
(74) *Attorney, Agent, or Firm*—McKee, Voorhees & Sease,
P.L.C.

(73) Assignee: **Maytag Corporation**, Newton, IA (US)

(**) Term: **14 Years**

(57) **CLAIM**

(21) Appl. No.: **29/172,095**

We claim the ornamental design for a dishwasher rack clip
design or similar article, substantially as shown.

(22) Filed: **Dec. 5, 2002**

DESCRIPTION

(51) **LOC (7) Cl.** **15-05**

(52) **U.S. Cl.** **D32/3**

(58) **Field of Search** D32/2-3, 25, 1;
222/153.01, 153.04; 68/152-156, 212; 510/220;
220/487-488, 553-555, 491-494, DIG. 12;
206/557, 561, 565, 198; 211/41.3, 41.5,
41.7-41.9, 85.15, 75; 134/93; 15/74; 248/315,
316.7, 231.81

FIG. 1 is a perspective view of a first embodiment of a rack
clip of the present invention, which is adapted to be attached
to a pair of upstanding tines of a dishwasher rack.

FIG. 2 is a top plan view of the rack clip of FIG. 1.

FIG. 3 is a bottom plan view of the rack clip of FIG. 1.

FIG. 4 is an elevation view from one side of the rack clip of
FIG. 1.

FIG. 5 is an elevation view from the opposite side of the rack
clip of FIG. 1.

FIG. 6 is an elevation view from one end of the rack clip of
FIG. 1.

FIG. 7 is an elevation view from the opposite end of the rack
clip of FIG. 1.

FIG. 8 is a perspective view of a second embodiment of the
rack clip according to the present invention.

FIG. 9 is top plan view of the rack clip of FIG. 8.

FIG. 10 is a bottom plan view of the rack clip of FIG. 8.

FIG. 11 is an elevation view from one side of the rack clip
of FIG. 8.

FIG. 12 is an elevation view from the opposite side of the
rack clip of FIG. 8.

FIG. 13 is an elevation view from one end of the rack clip
of FIG. 8.

FIG. 14 is an elevation view from the opposite end of the
rack clip of FIG. 8 .

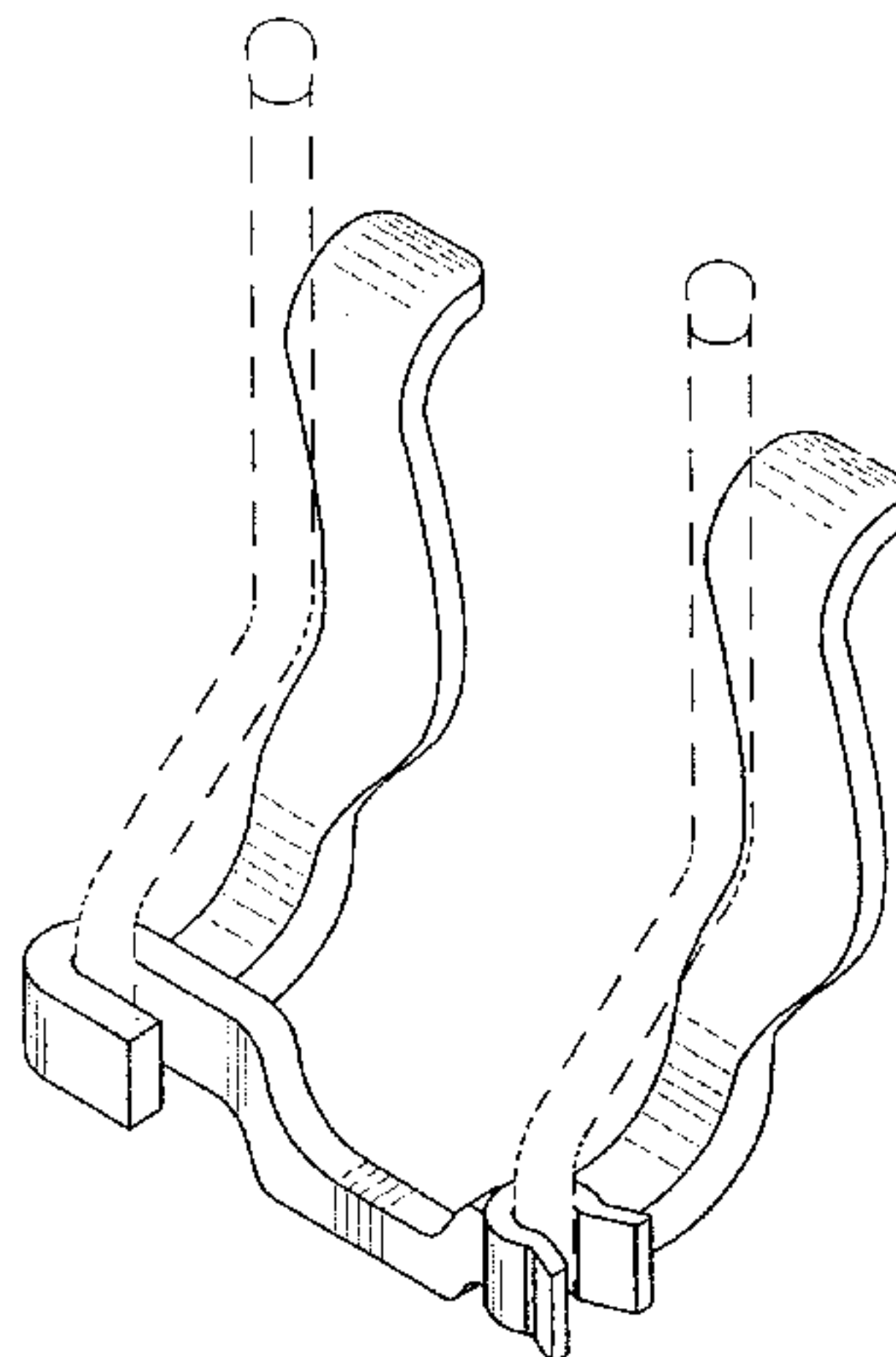
The broken line showing of portions of a dishwasher rack is
for illustrative purposes only and forms no part of the
claimed design.

(56) **References Cited**

U.S. PATENT DOCUMENTS

2,516,088	A	*	7/1950	Einhorn	211/41.5
2,629,498	A	*	2/1953	Marasigan	211/41.7
2,677,468	A	*	5/1954	Dreyfus, Jr.	211/85.15
2,951,590	A	*	9/1960	Feser	211/75
2,971,668	A	*	2/1961	Peglow	211/41.8
3,289,854	A		12/1966	Kauffman		
3,451,556	A		6/1969	Macoicz		
3,451,557	A		6/1969	Stoddard		
3,612,285	A	*	10/1971	Mason	211/41.8
3,870,154	A	*	3/1975	Monet et al.	248/315
4,917,248	A		4/1990	Friskney		
4,927,033	A		5/1990	Patera et al.		
D314,256	S	*	1/1991	Patera et al.	D32/3
5,204,419	A	*	4/1993	Tsutsui et al.	221/41.3
5,249,590	A		10/1993	Jacobus et al.		
5,573,217	A	*	11/1996	Garvey et al.	248/316.7
5,580,025	A		12/1996	Cross		
5,772,166	A	*	6/1998	Adams	248/231.81
5,918,749	A		7/1999	Pille et al.		

1 Claim, 14 Drawing Sheets



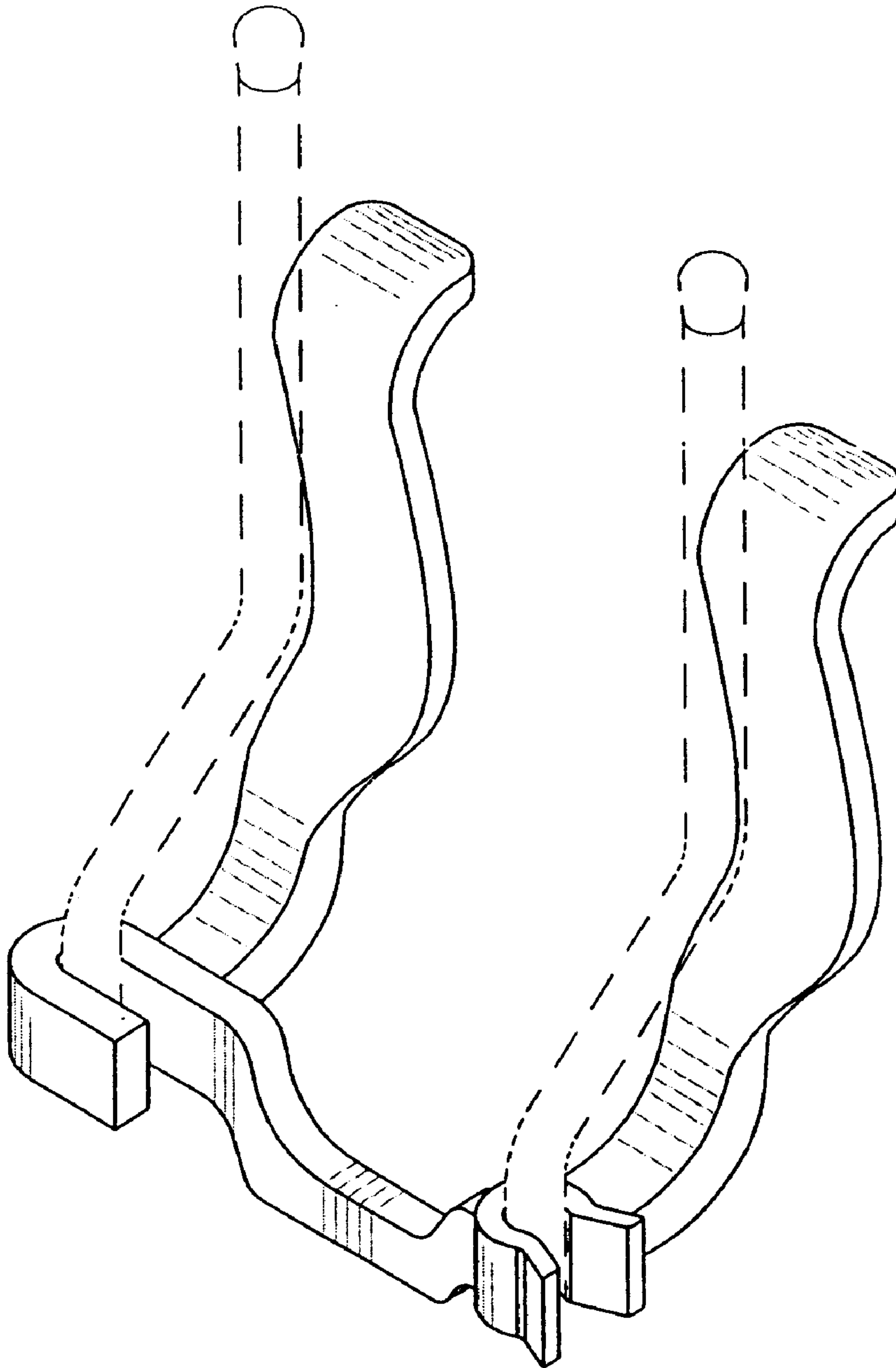


Fig. 1

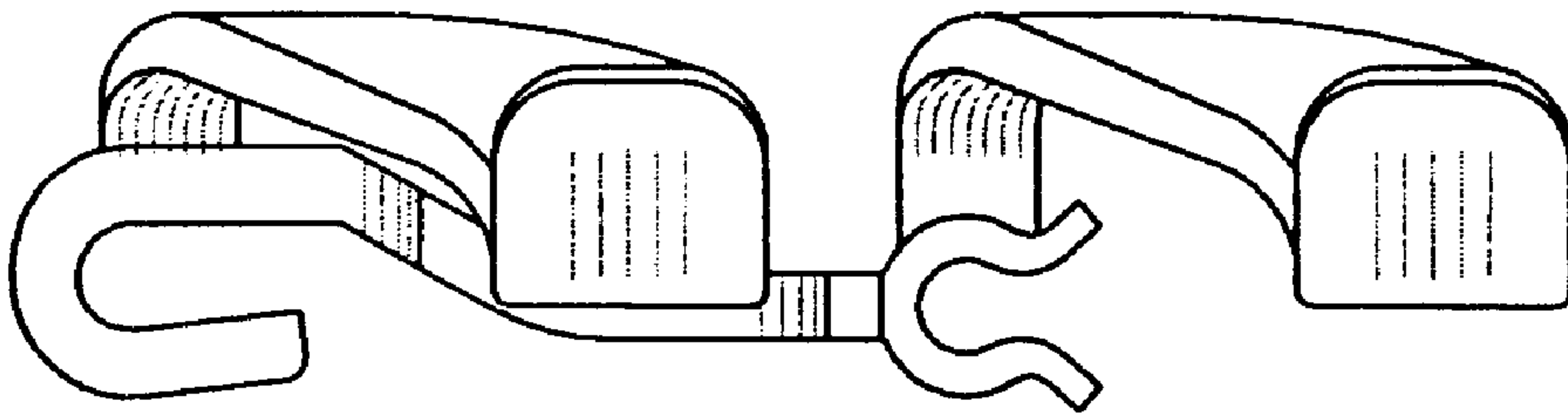


Fig. 2

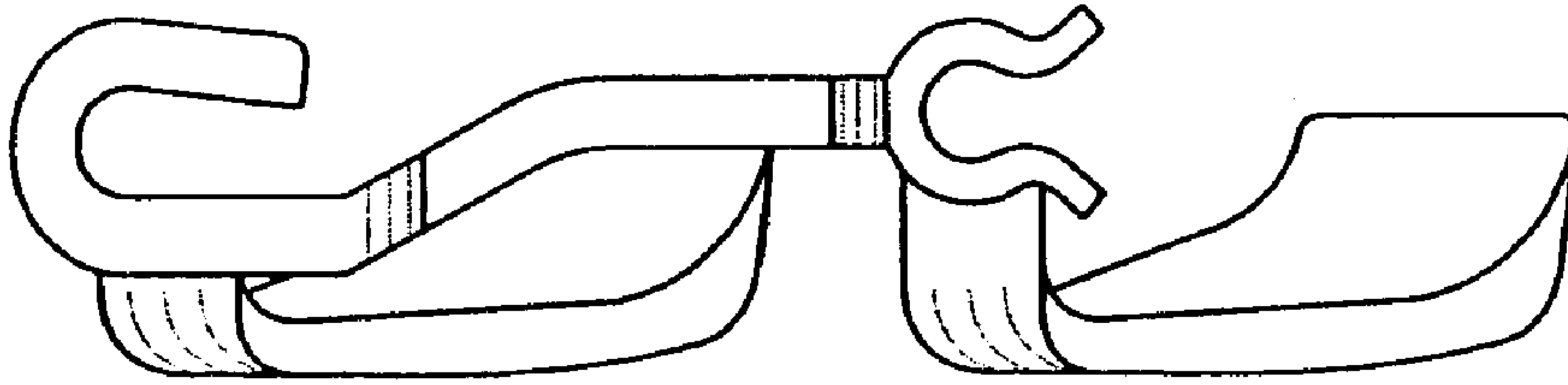


Fig. 3

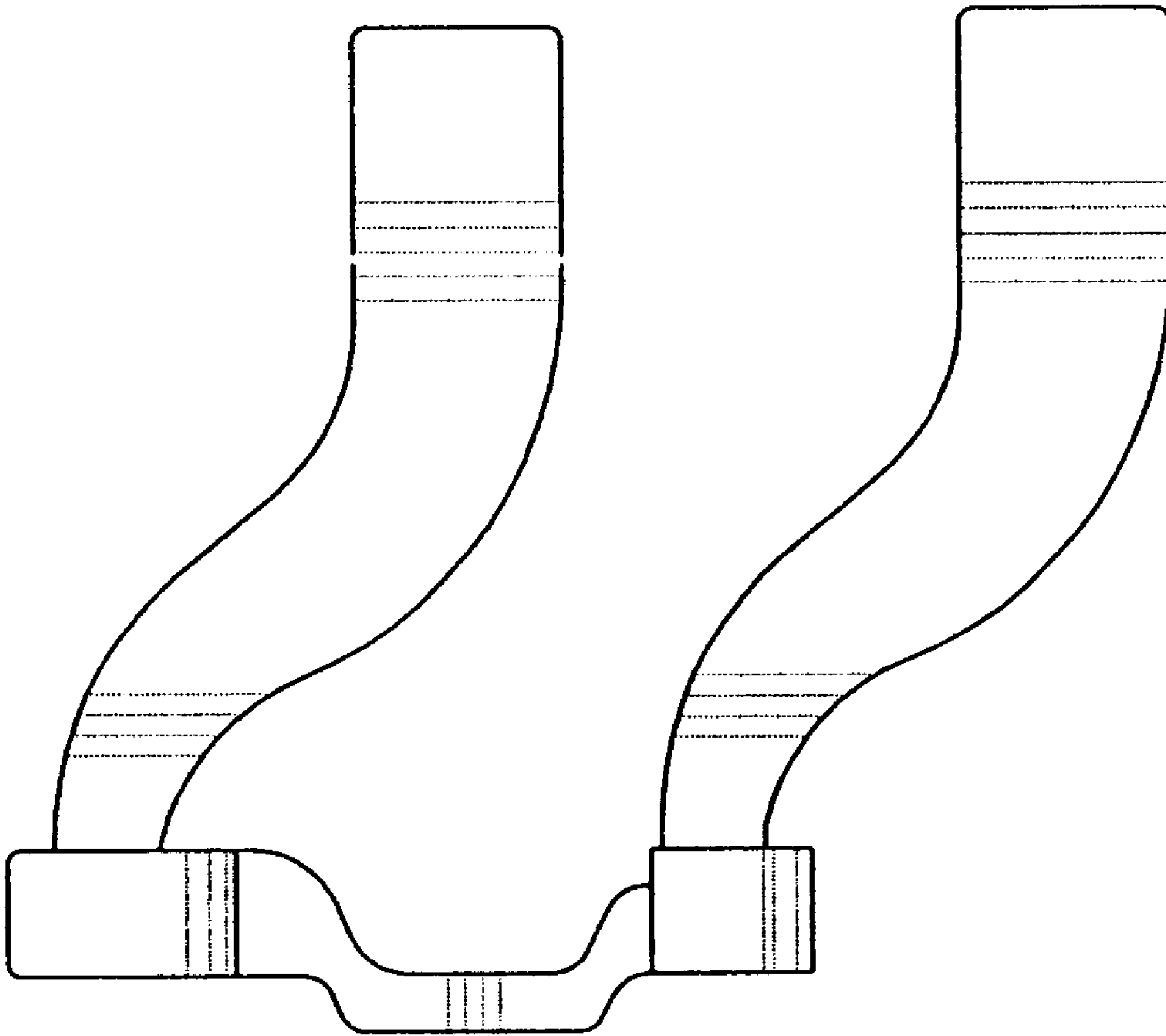


Fig. 4

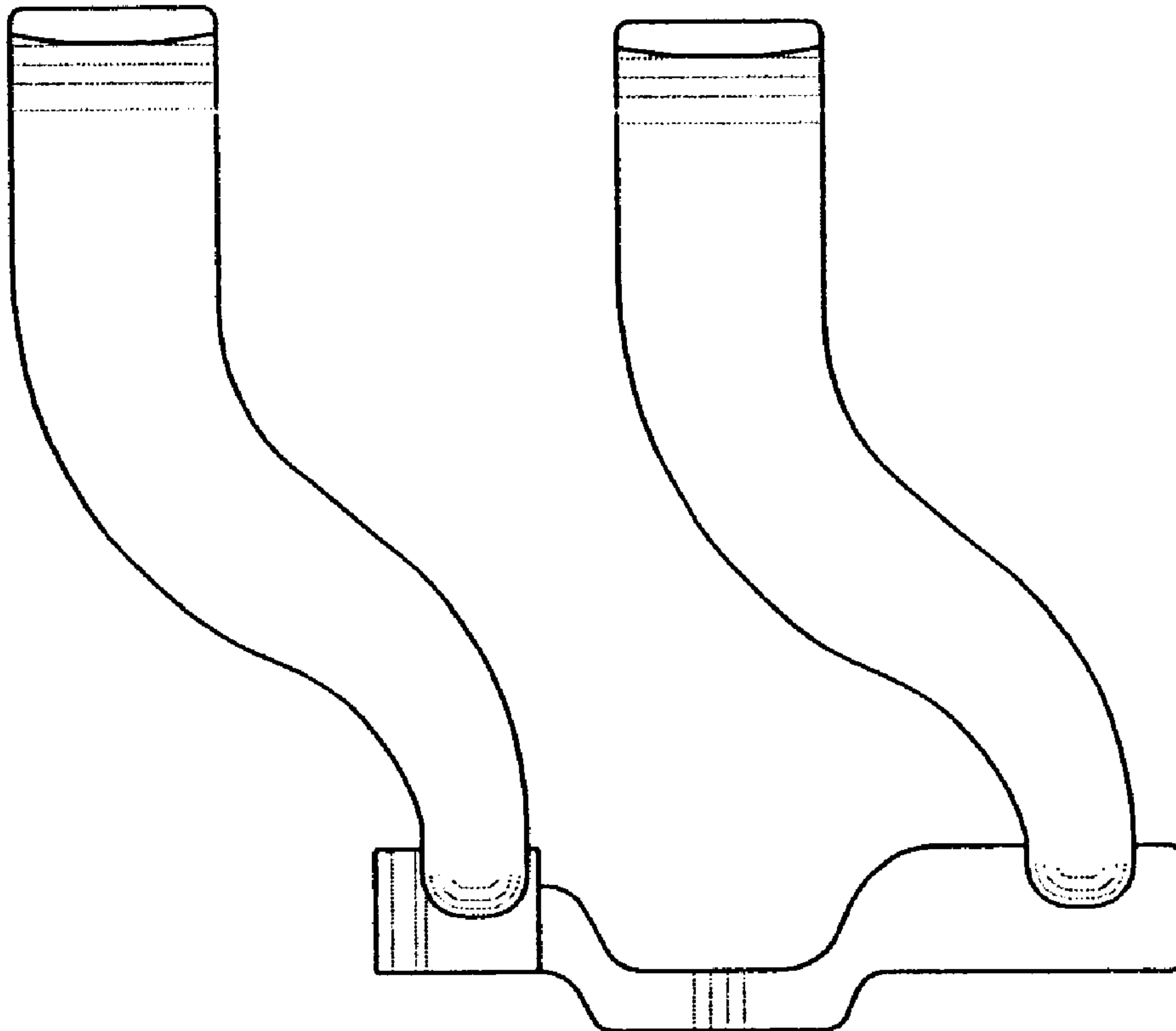


Fig. 5

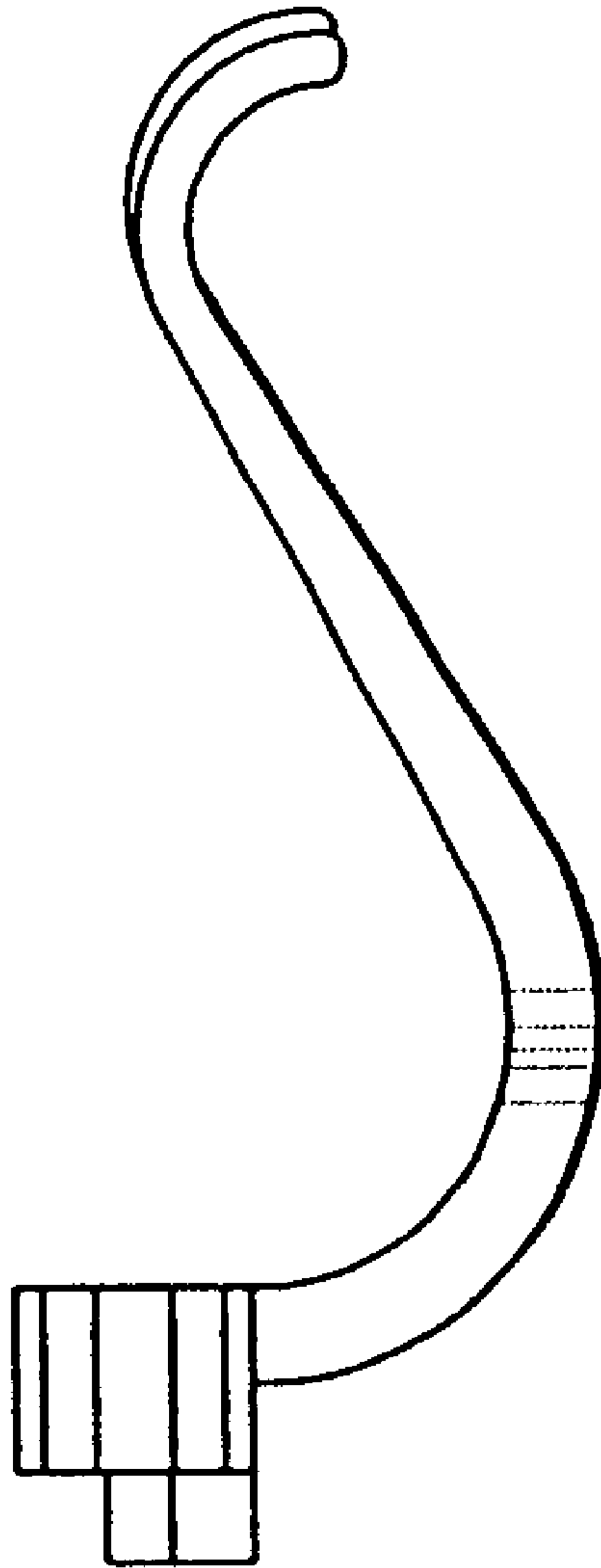


Fig. 6

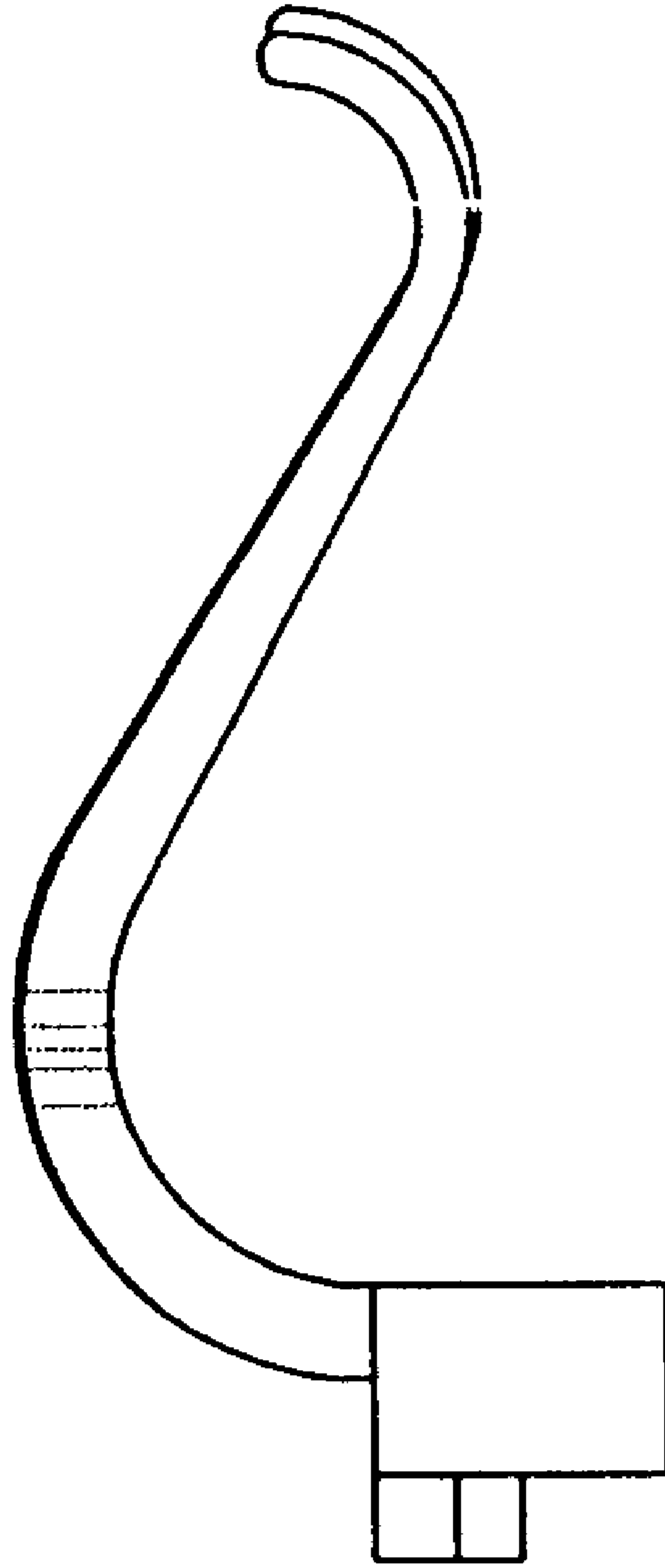


Fig. 7

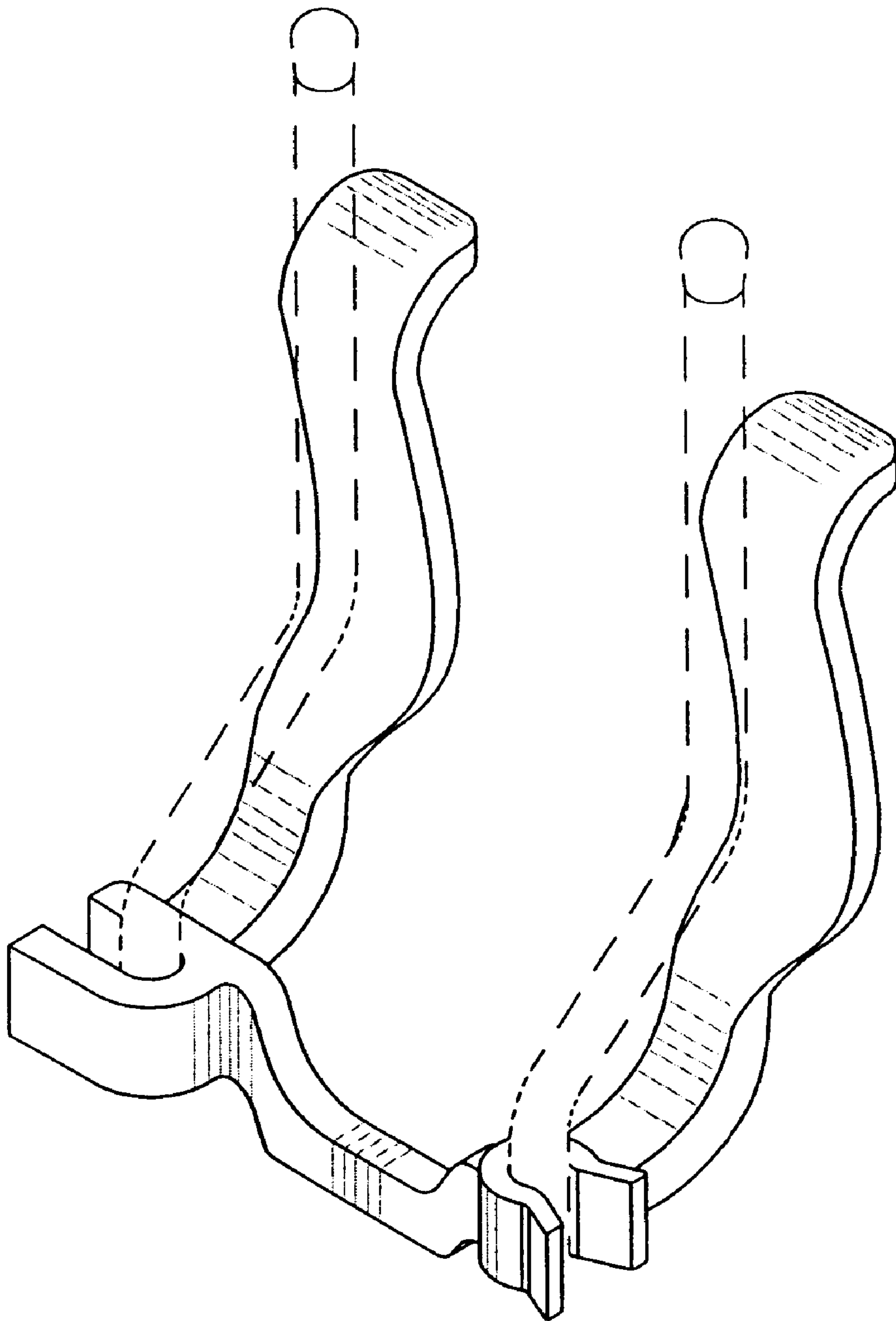


Fig. 8

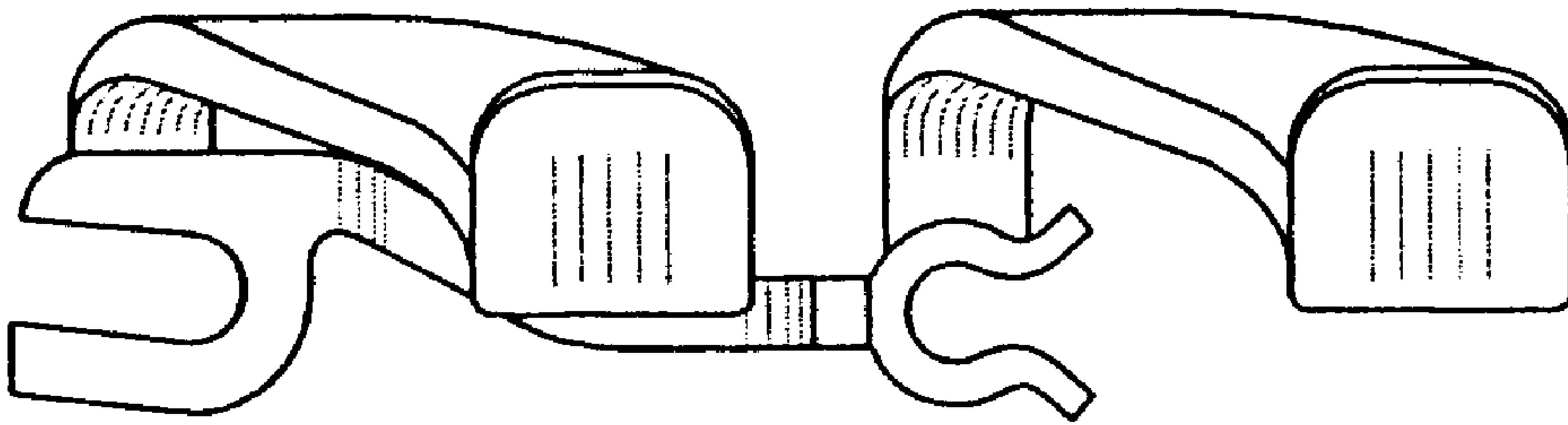


Fig. 9

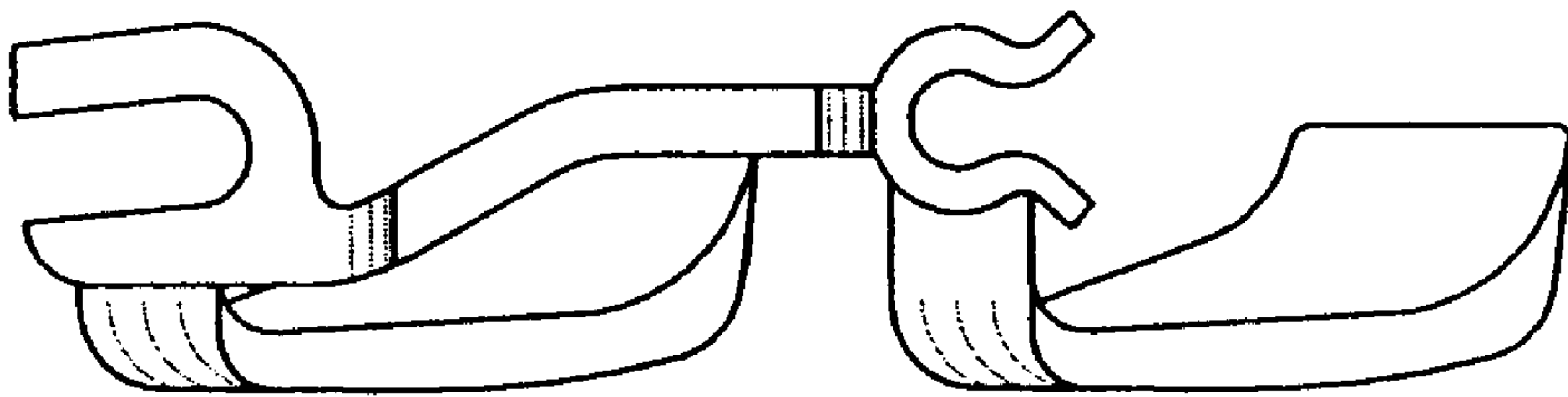


Fig. 10

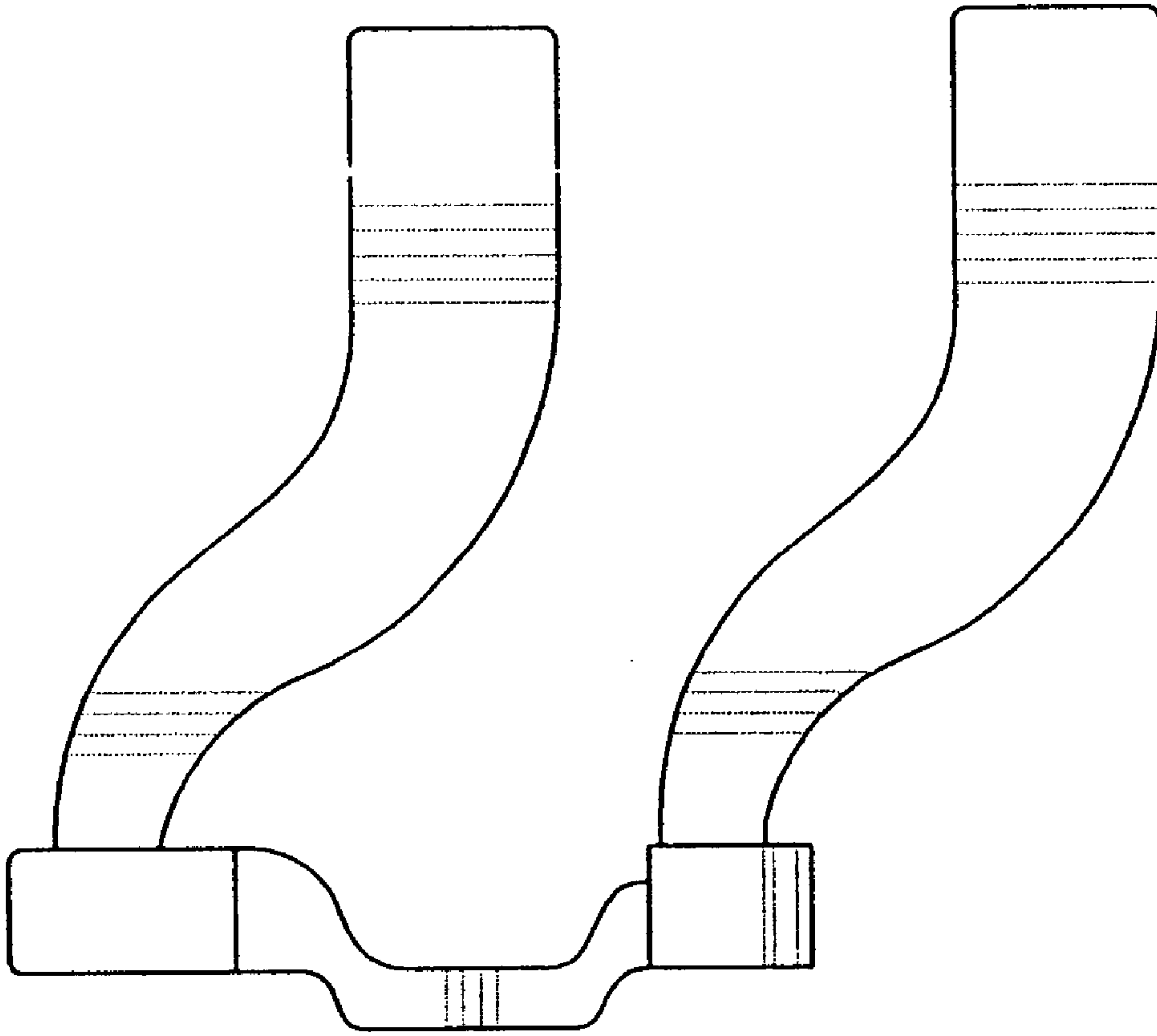


Fig. 11

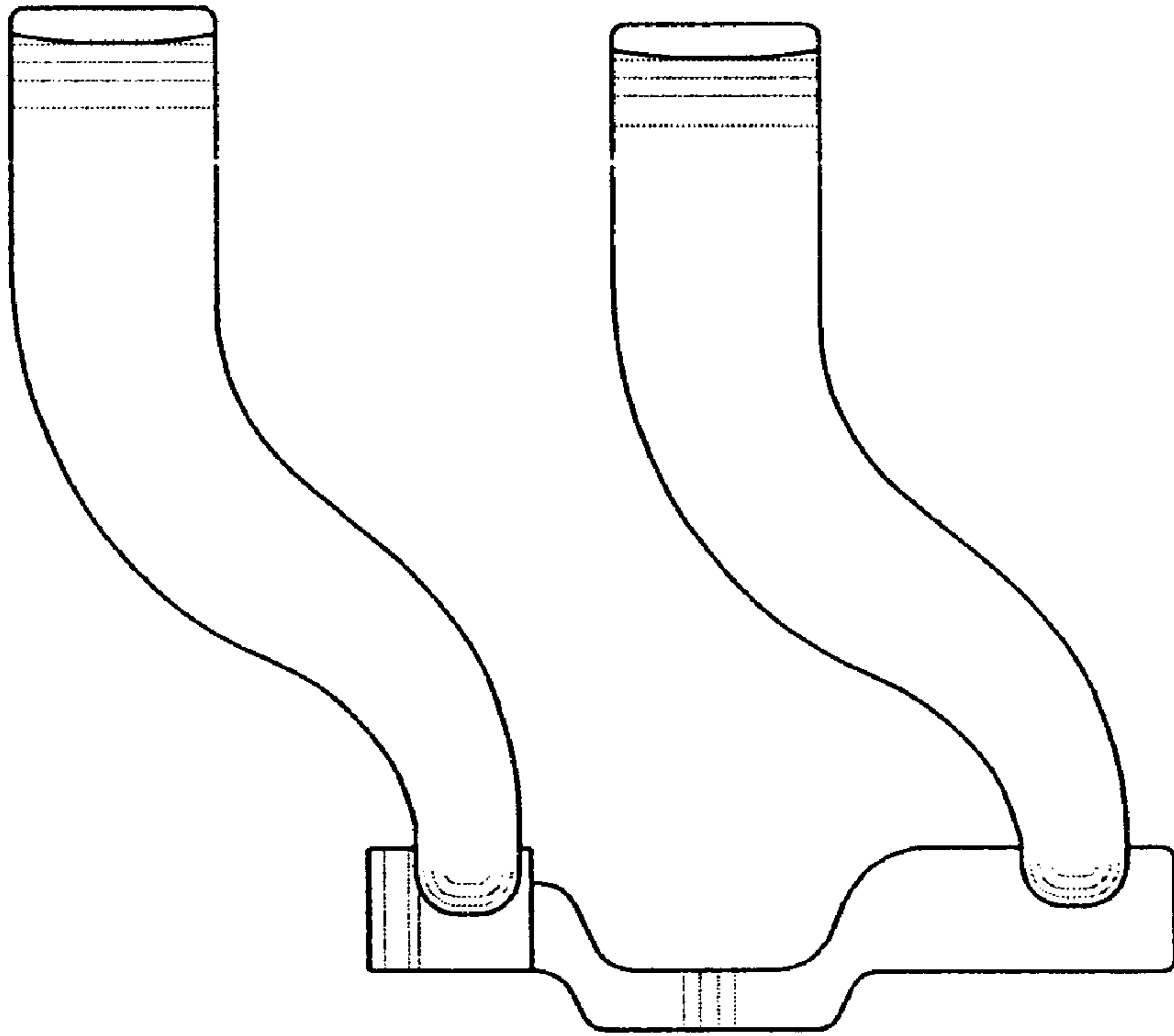


Fig. 12

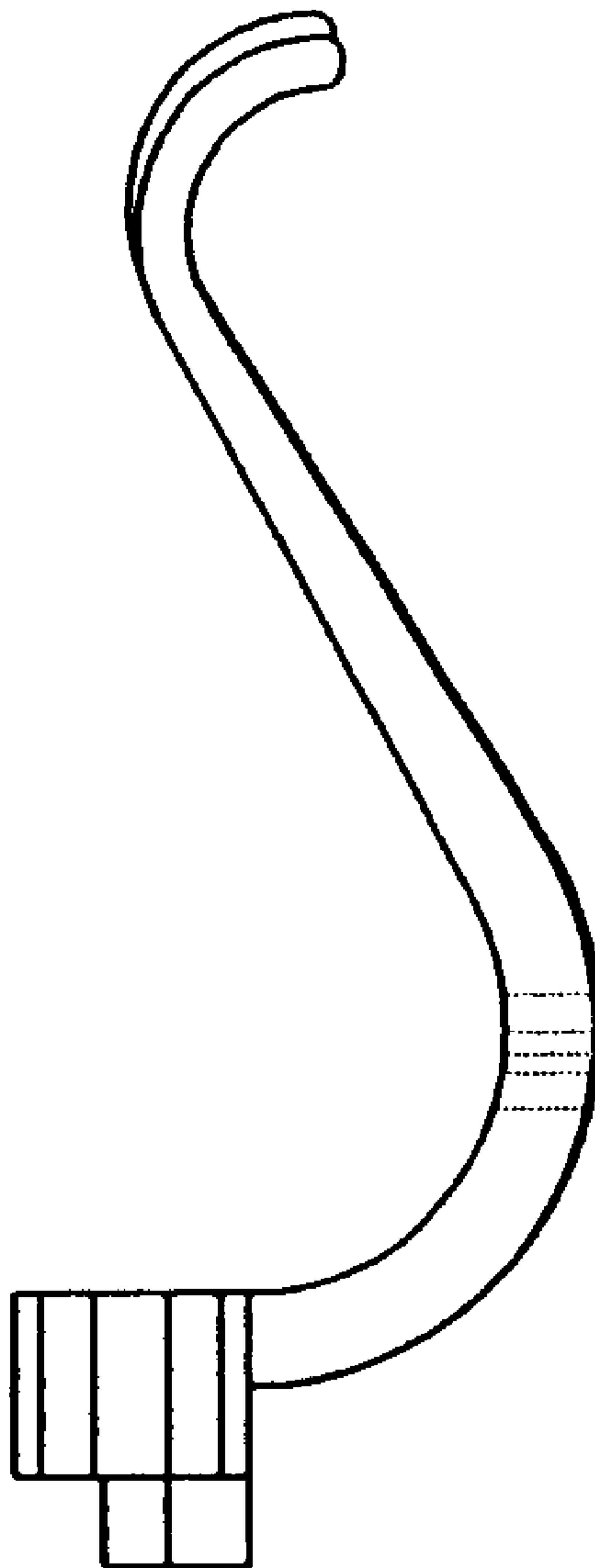


Fig. 13

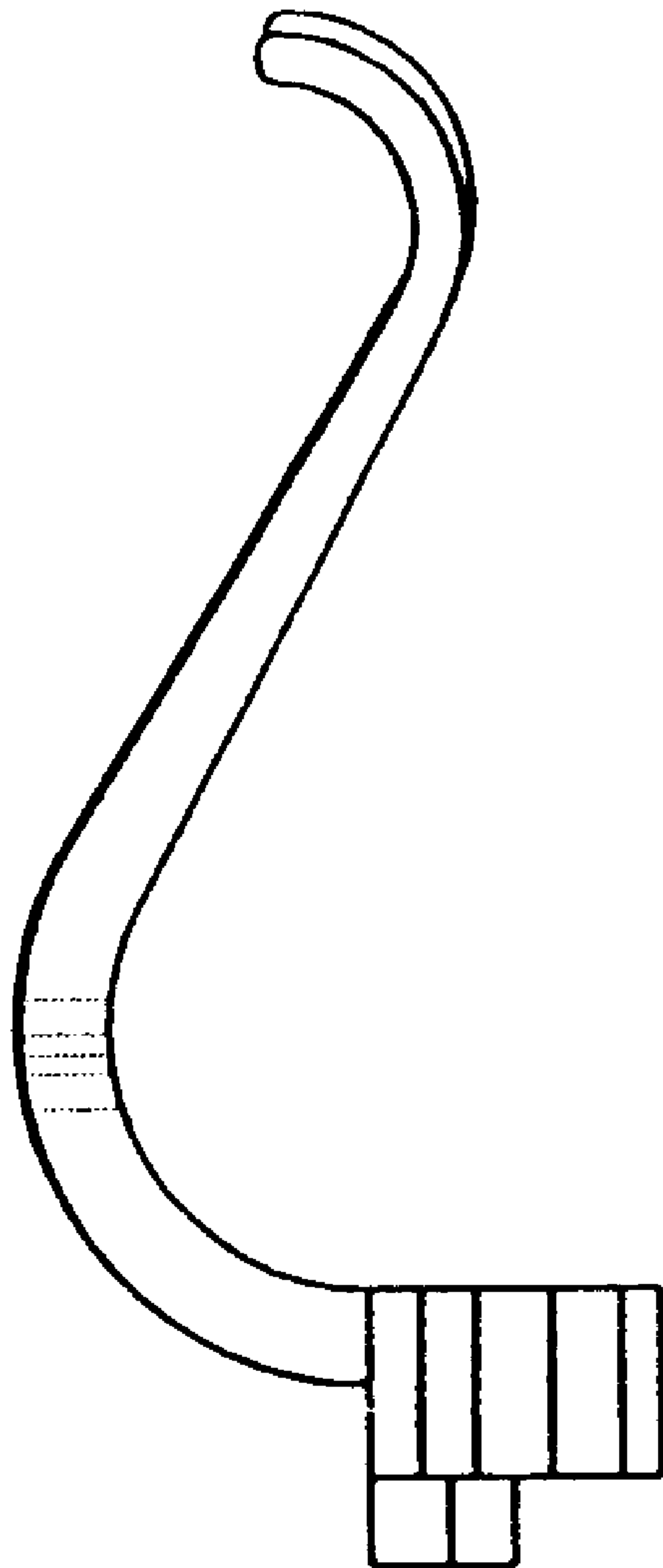


Fig. 14