



US00D488591S

(12) **United States Design Patent**
Hall et al.

(10) **Patent No.:** **US D488,591 S**
(45) **Date of Patent:** **** Apr. 13, 2004**

(54) **LEASH BAG**

D425,266 S * 5/2000 Rubinstein D30/153

(76) Inventors: **Gregory B. Hall**, 6610 SE. 30th Ave.,
Portland, OR (US) 97202; **Lynette P.
Hall**, 6610 SE. 30th Ave., Portland, OR
(US) 97202

* cited by examiner

Primary Examiner—Lisa Lichtenstein
(74) *Attorney, Agent, or Firm*—Olson & Olson

(**) Term: **14 Years**

(57) **CLAIM**

The ornamental design for a leash bag, as shown and described.

(21) Appl. No.: **29/178,467**

(22) Filed: **Mar. 25, 2003**

DESCRIPTION

(51) **LOC (7) Cl.** **30-09**

FIG. 1 is a front perspective view of a leash bag showing our new design.

(52) **U.S. Cl.** **D30/153**

FIG. 2 is a side elevation of the front side of the leash bag of FIG. 1; and,

(58) **Field of Search** D30/151, 153,
D30/154; D29/100, 101; 128/869, 870,
875, 878, 882; 119/712, 792-802

FIG. 3 is a side elevation of the back side of the leash bag as viewed from the opposite direction in FIG. 2.

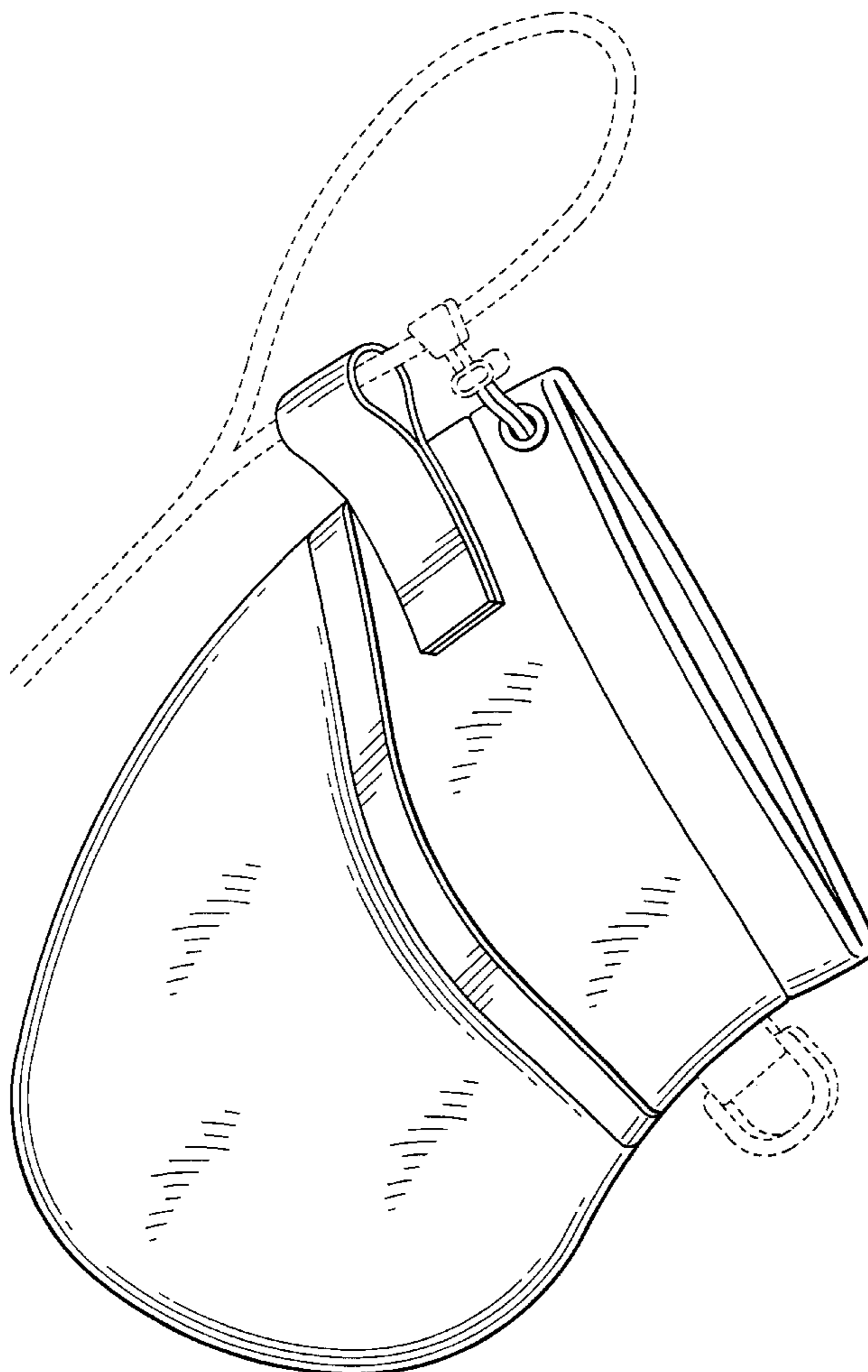
(56) **References Cited**

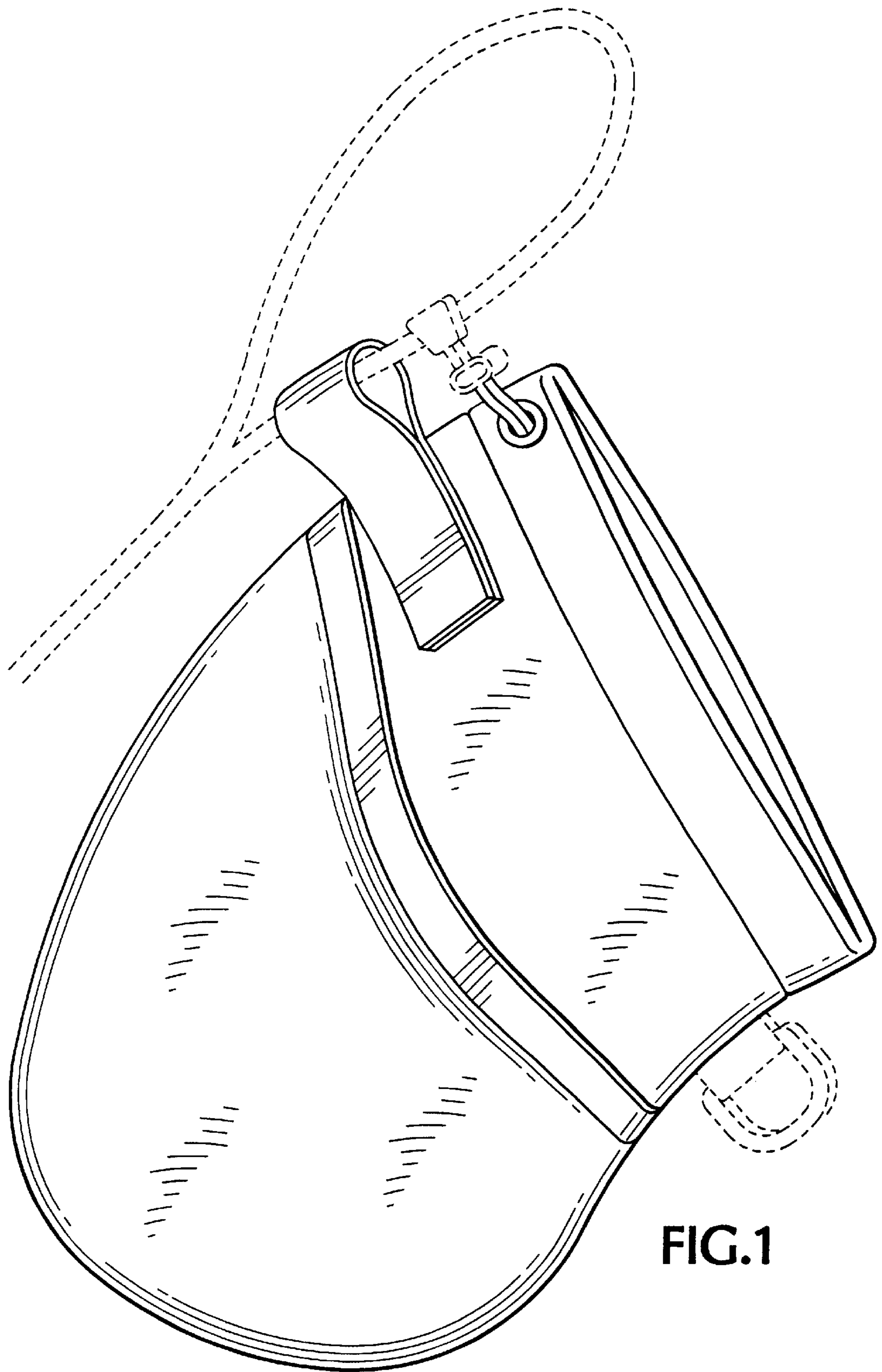
The broken line showing of environmental structure is for illustrative purposes only and forms no part of the claimed design.

U.S. PATENT DOCUMENTS

4,125,212 A * 11/1978 Courchesne 294/157
D425,265 S * 5/2000 Rubinstein D30/153

1 Claim, 2 Drawing Sheets





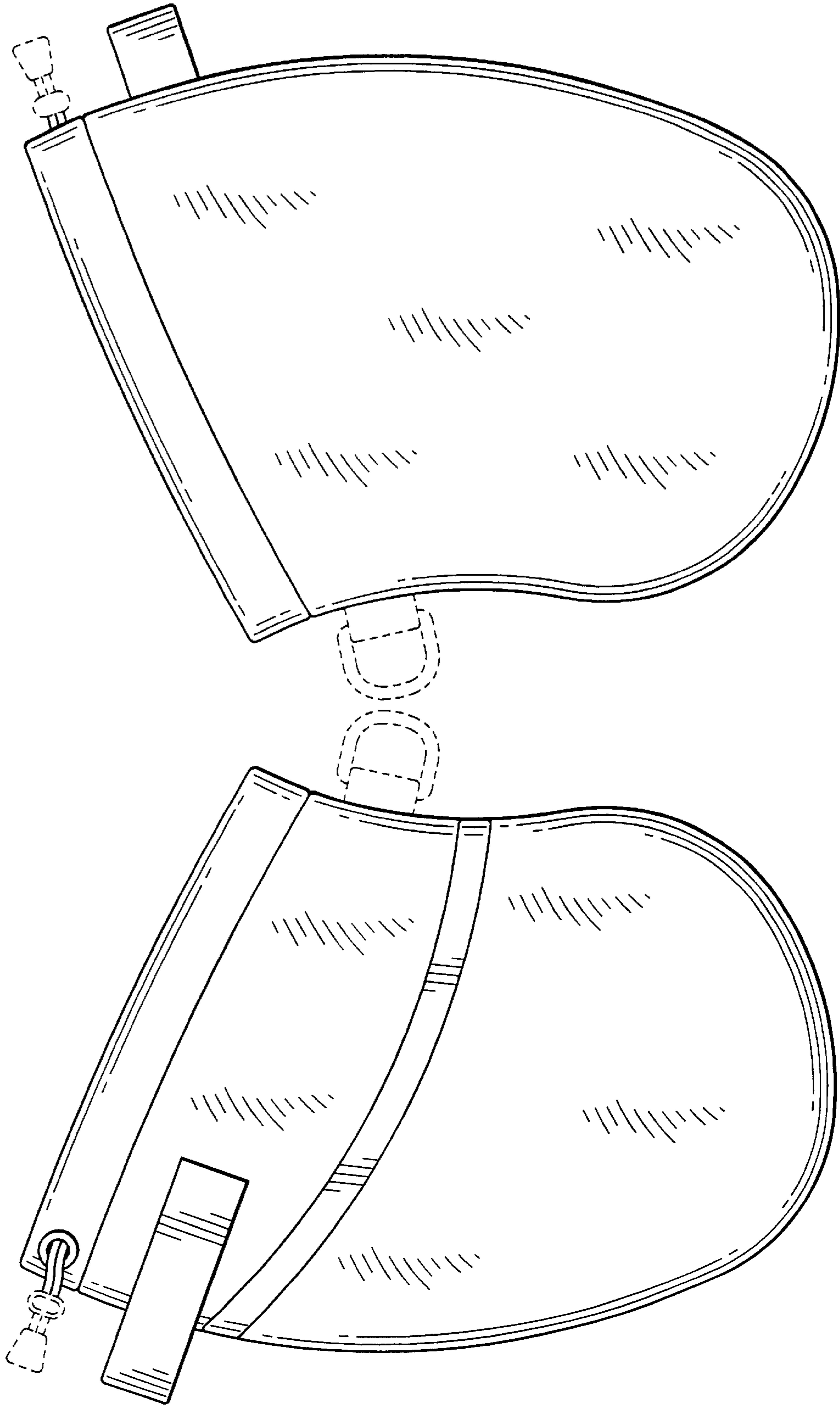


FIG. 3

FIG. 2