



US00D488590S

(12) **United States Design Patent**
Fort, II

(10) **Patent No.:** **US D488,590 S**

(45) **Date of Patent:** **** Apr. 13, 2004**

(54) **BIRD FEEDER**

(75) **Inventor:** **W. Grady Fort, II**, Mason, TX (US)

(73) **Assignee:** **Daisy Manufacturing Co.**, Rogers, AR (US)

(**) **Term:** **14 Years**

(21) **Appl. No.:** **29/174,002**

(22) **Filed:** **Jan. 10, 2003**

(51) **LOC (7) Cl.** **30-03**

(52) **U.S. Cl.** **D30/124**; D30/128; 119/51.01

(58) **Field of Search** D30/124-128;
119/428, 429, 459, 468, 72, 77, 57.8, 57.9,
52.2, 52.3, 52.4, 51.01

(56) **References Cited**

U.S. PATENT DOCUMENTS

1,575,101 A * 3/1926 Edwards 119/468
3,292,589 A * 12/1966 Williams 119/77

5,062,390 A * 11/1991 Bescherer et al. 119/72
D324,436 S * 3/1992 Embree D30/127
5,303,674 A * 4/1994 Hyde, Jr. 119/77
6,349,672 B1 * 2/2002 Daffi 119/52.1

* cited by examiner

Primary Examiner—Pamela Burgess

(74) *Attorney, Agent, or Firm*—Shaw Pittman LLP

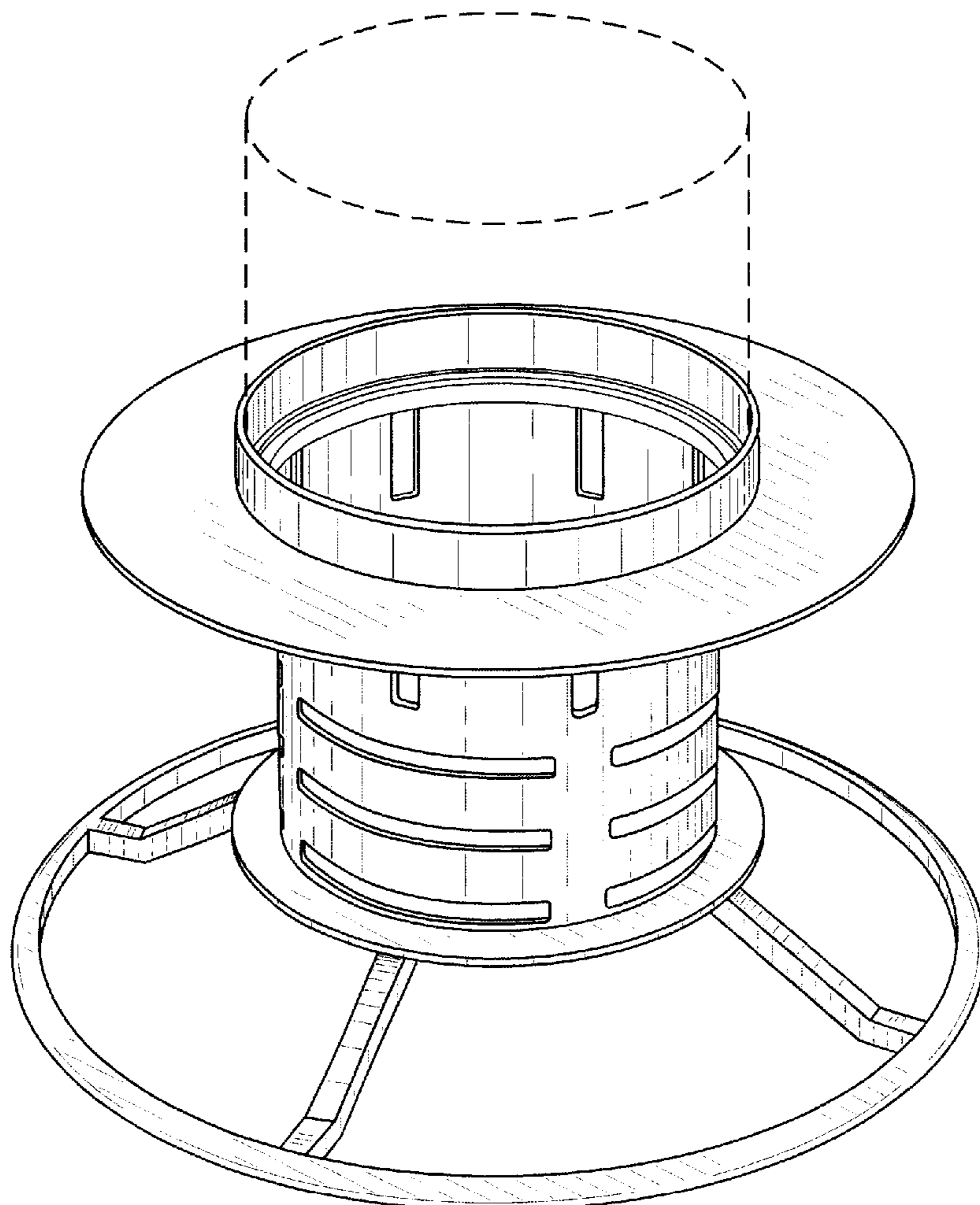
(57) **CLAIM**

The ornamental design for a bird feeder, as shown and described.

DESCRIPTION

FIG. 1 is a top perspective view of a bird feeder showing my new design, the broken lines shown are for illustrative purposes only and form no part of the claimed design; FIG. 2 is a side view of the bird feeder; FIG. 3 is a top view of the bird feeder; and, FIG. 4 is a bottom view of the bird feeder.

1 Claim, 4 Drawing Sheets



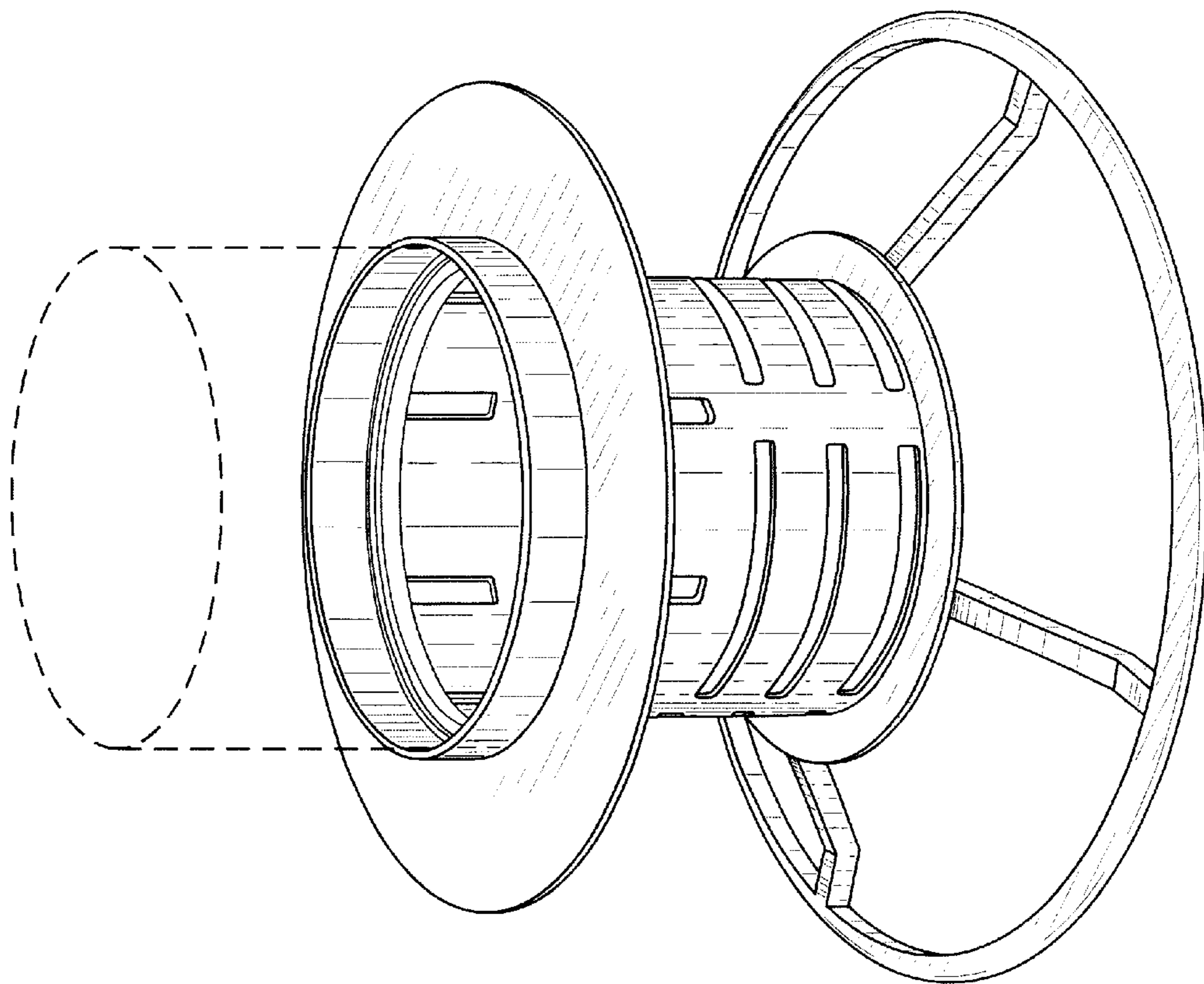


FIG. 1

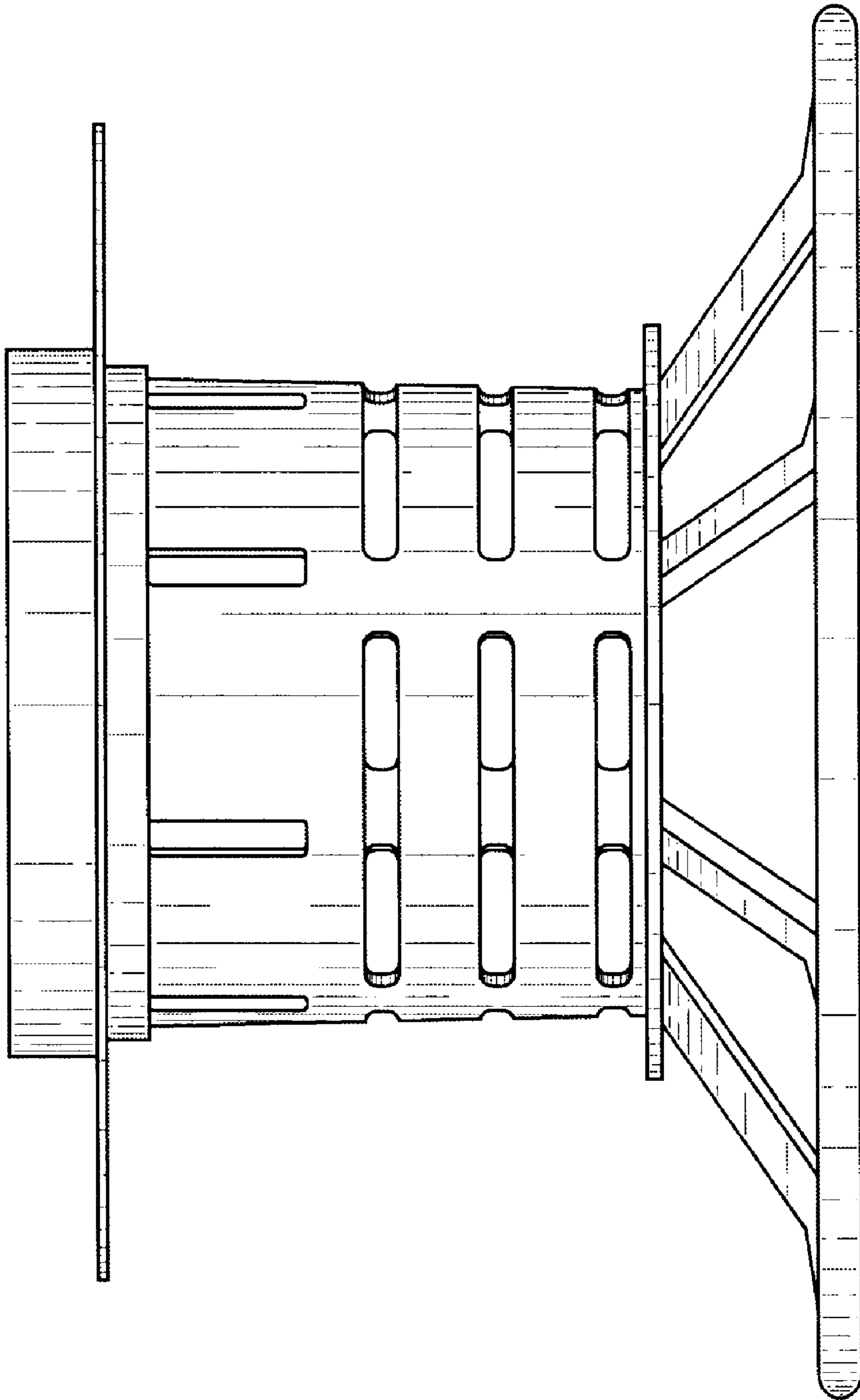


FIG. 2

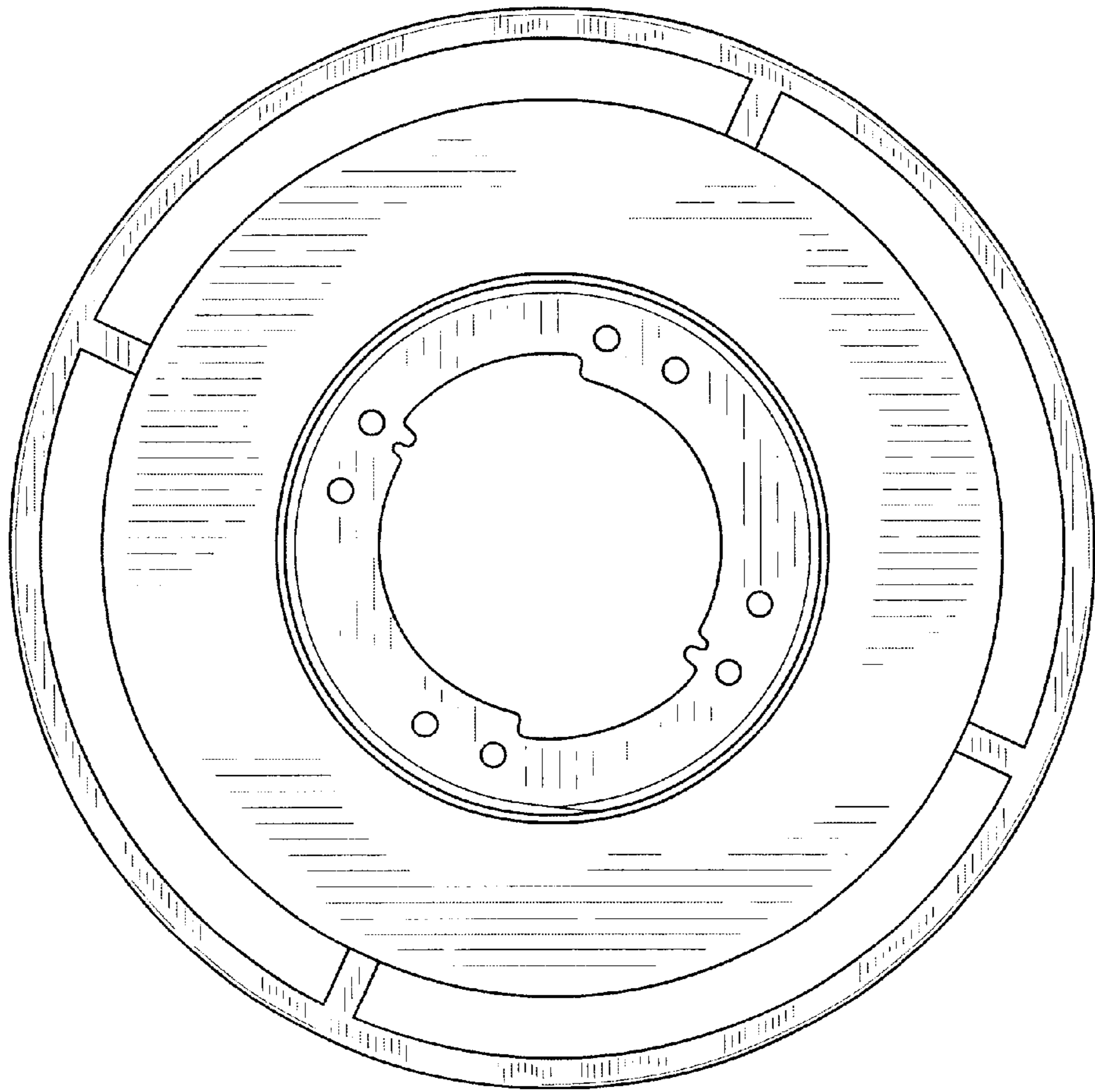


FIG. 3

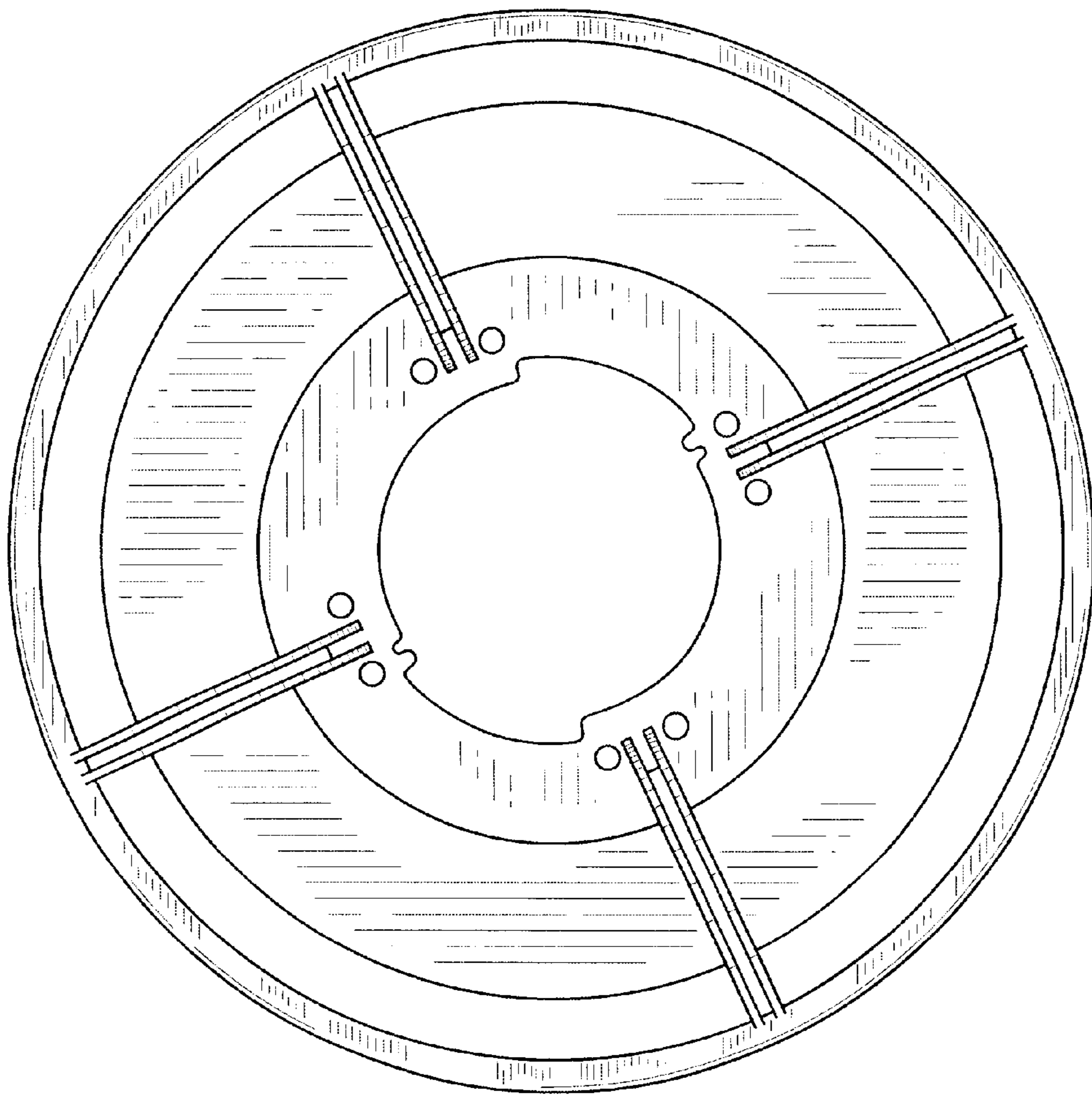


FIG. 4