



US00D488582S

(12) **United States Design Patent**
Connelly et al.

(10) **Patent No.:** **US D488,582 S**

(45) **Date of Patent:** **** Apr. 13, 2004**

(54) **ELECTRIC CANDLE**

(76) Inventors: **Alex Connelly**, 10 Wakefield, Irvine, CA (US) 92620; **Ryan M. Eberle**, 514 Bernard #A4, Costa Mesa, CA (US) 92627; **Williams B. Johns, Jr.**, 514 Bernard #A4, Costa Mesa, CA (US) 92627

(**) Term: **14 Years**

(21) Appl. No.: **29/176,687**

(22) Filed: **Feb. 25, 2003**

(51) **LOC (7) Cl.** **26-03**

(52) **U.S. Cl.** **D26/96**

(58) **Field of Search** D26/4-7, 93-112; 362/410-414, 392, 806, 810; 431/288-291

(56) **References Cited**

U.S. PATENT DOCUMENTS

D406,379 S * 3/1999 Andrews D26/96
6,017,139 A * 1/2000 Lederer 362/810 X

* cited by examiner

Primary Examiner—Alan P. Douglas

Assistant Examiner—Linda Brooks

(74) *Attorney, Agent, or Firm*—Klein, O'Neill & Singh, LLP

(57) **CLAIM**

The ornamental design for an electric candle, as shown and described.

DESCRIPTION

FIG. 1 is a perspective view, taken from the front and top, of an electric candle, in accordance with our new design;

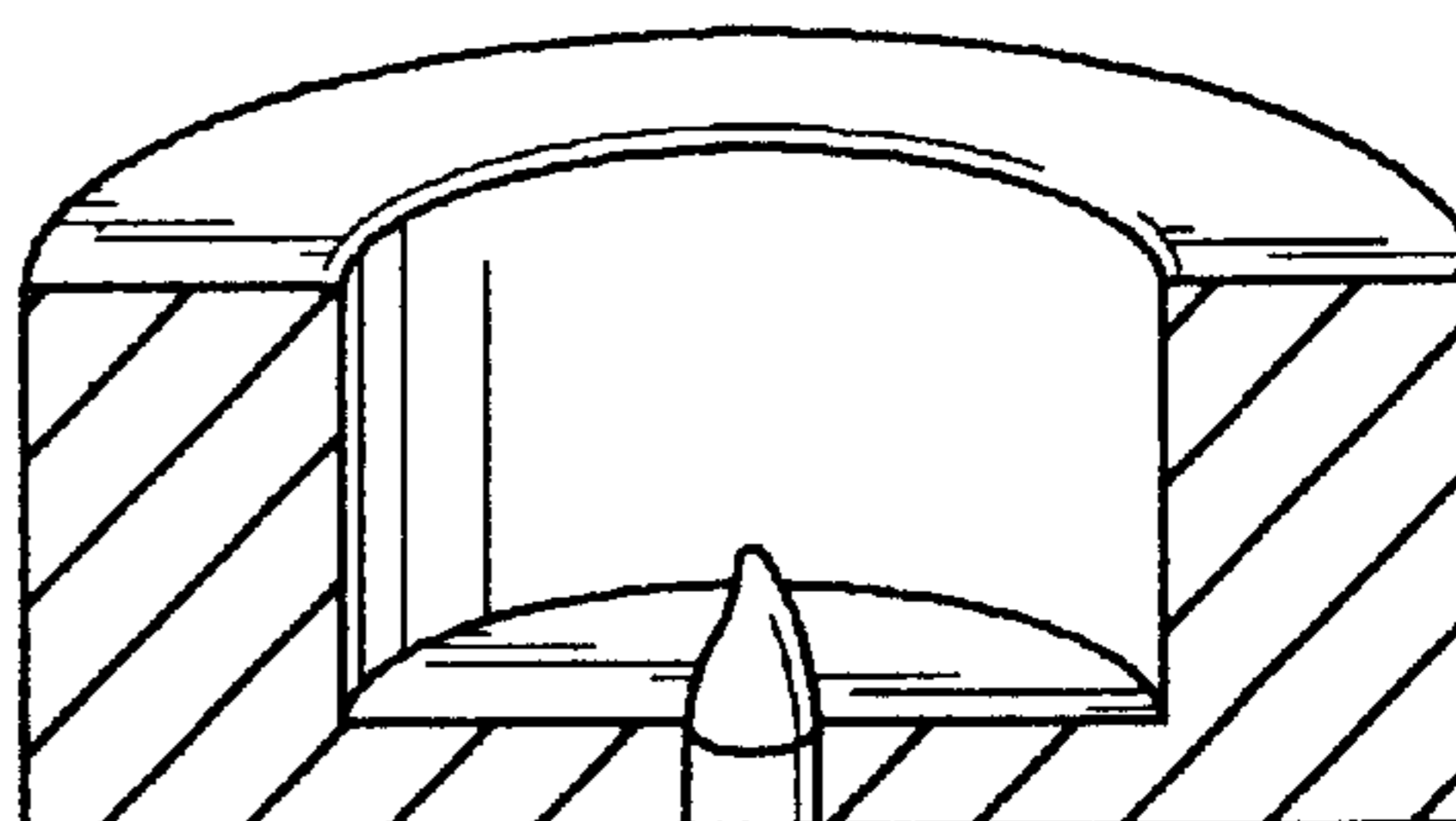
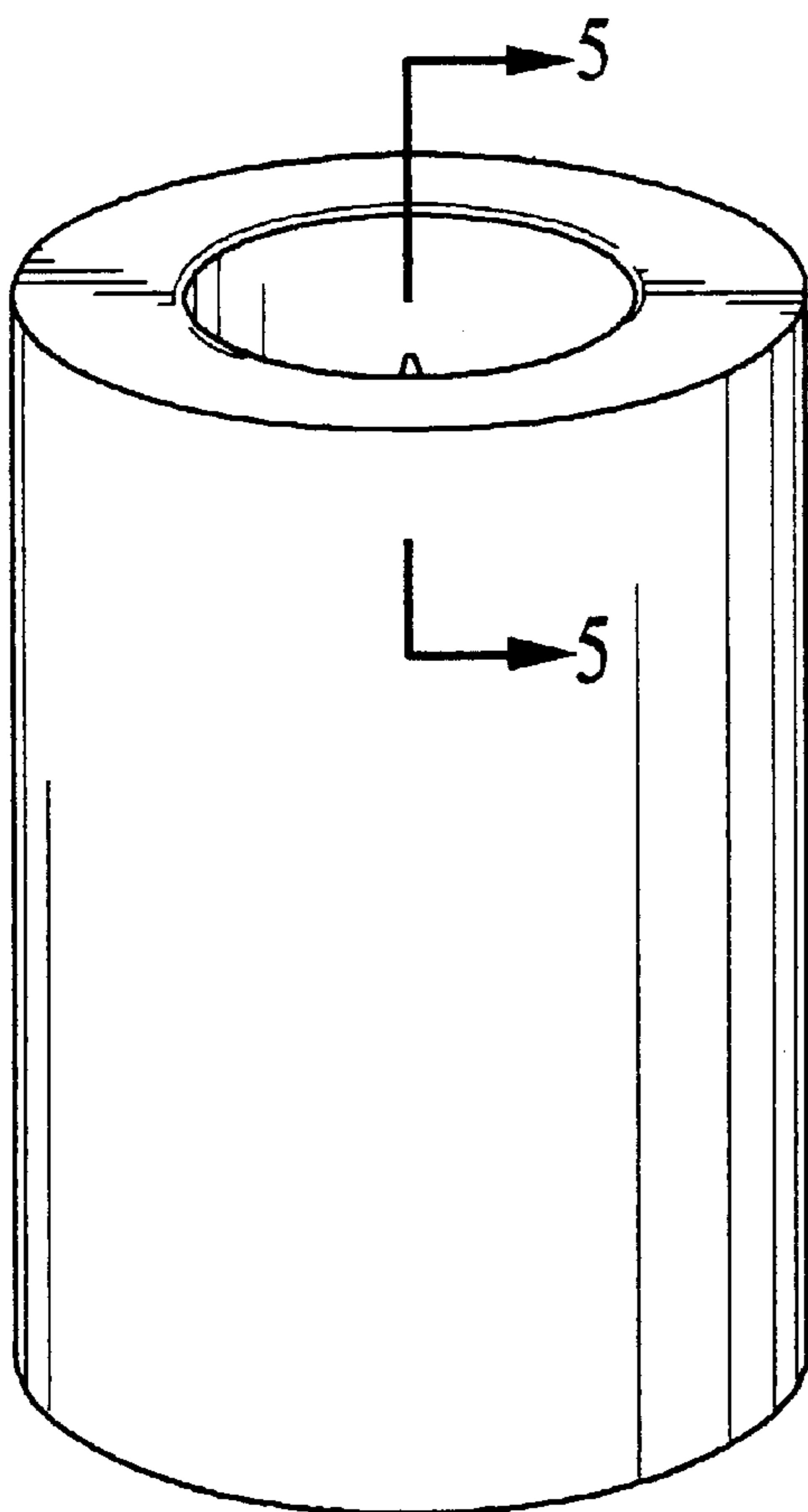
FIG. 2 is a top plan view of the electric candle of FIG. 1;

FIG. 3 is a side elevational view of the electric candle of FIG. 1;

FIG. 4 is a bottom plan view of the electric candle of FIG. 1; and,

FIG. 5 is a cross-sectional view taken along line 5—5 of FIG. 1, showing, in side elevation, an electric bulb used in the electric candle of FIG. 1.

1 Claim, 1 Drawing Sheet



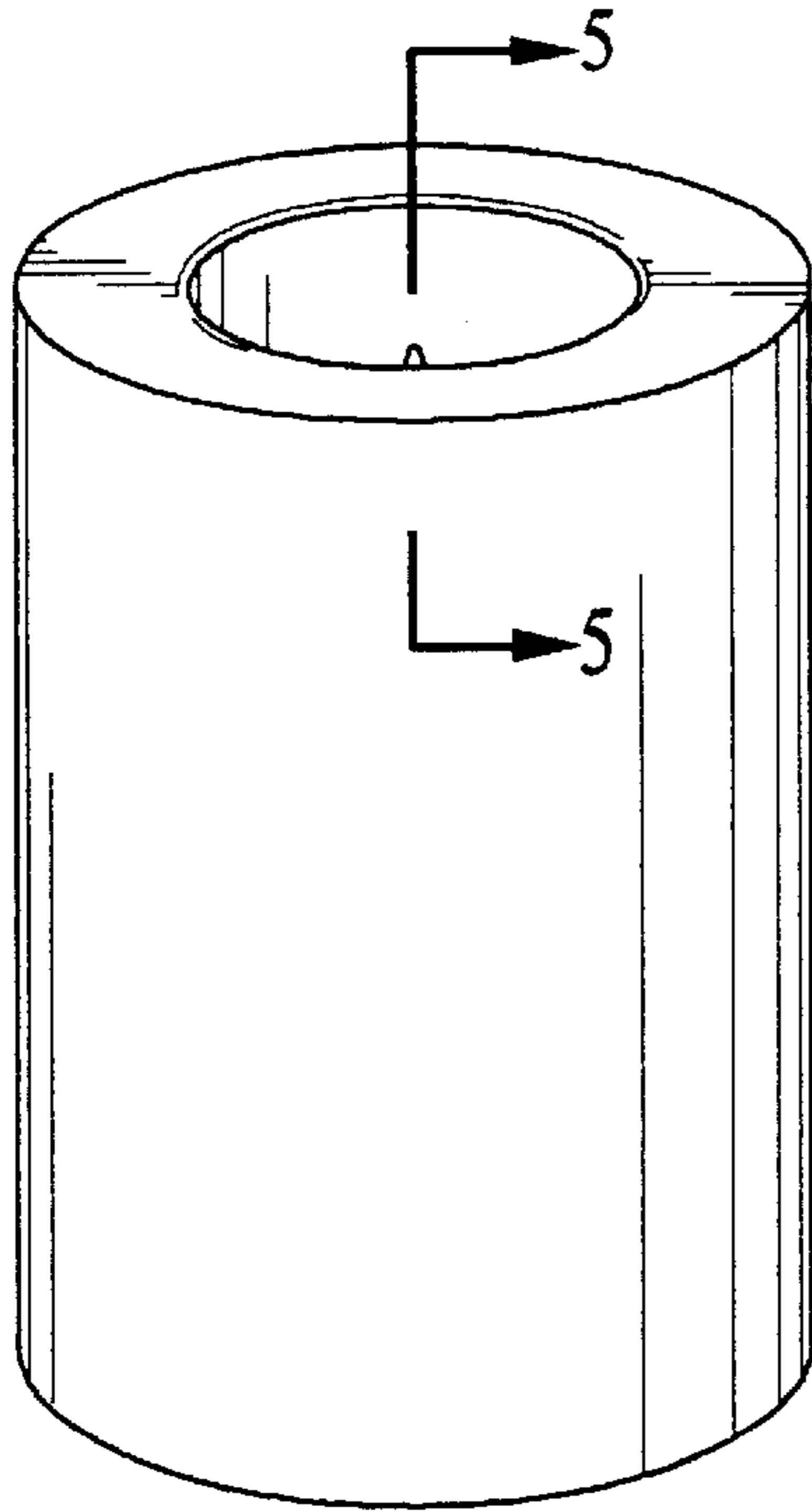


FIG. 1

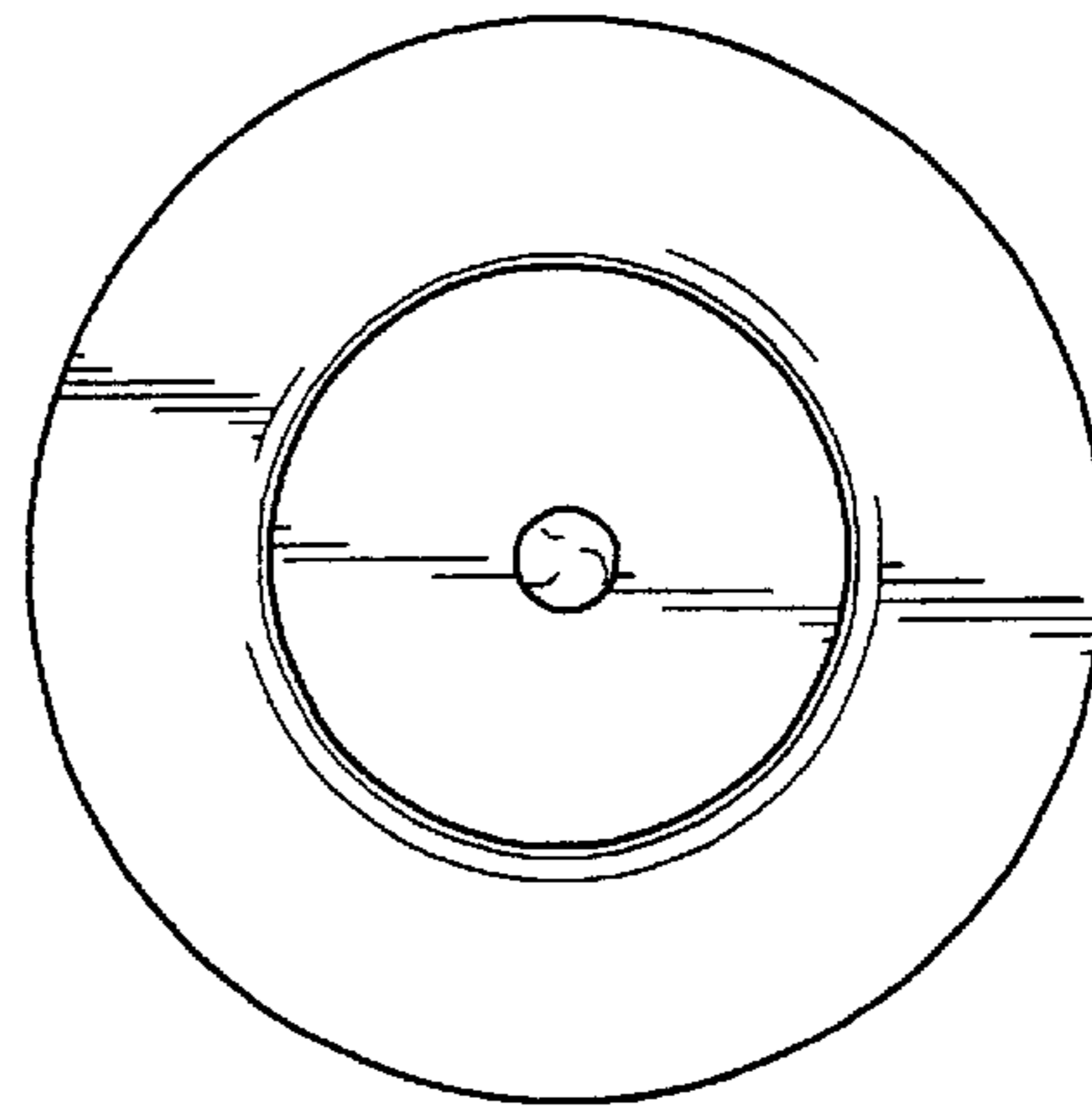


FIG. 2

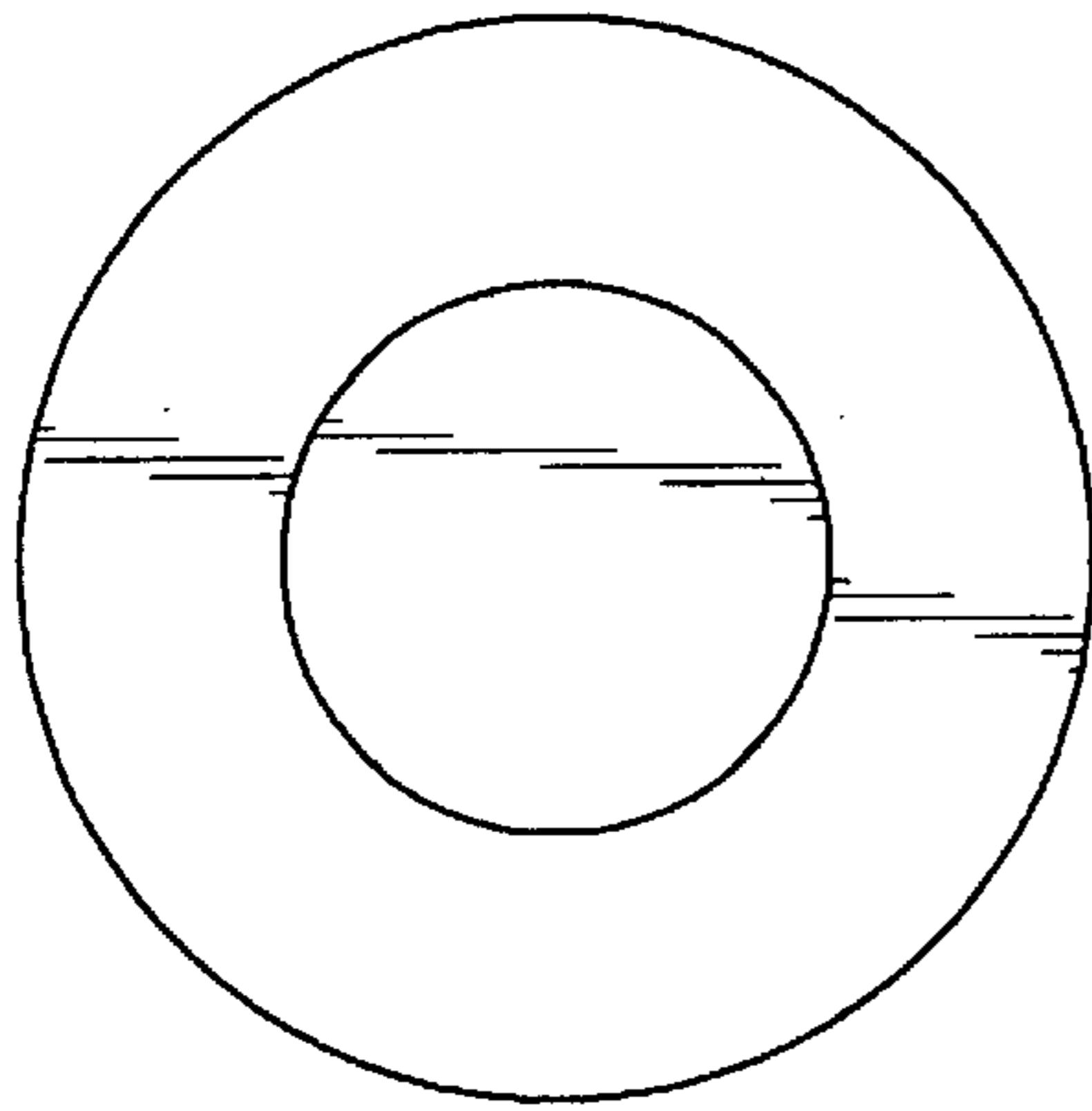


FIG. 4

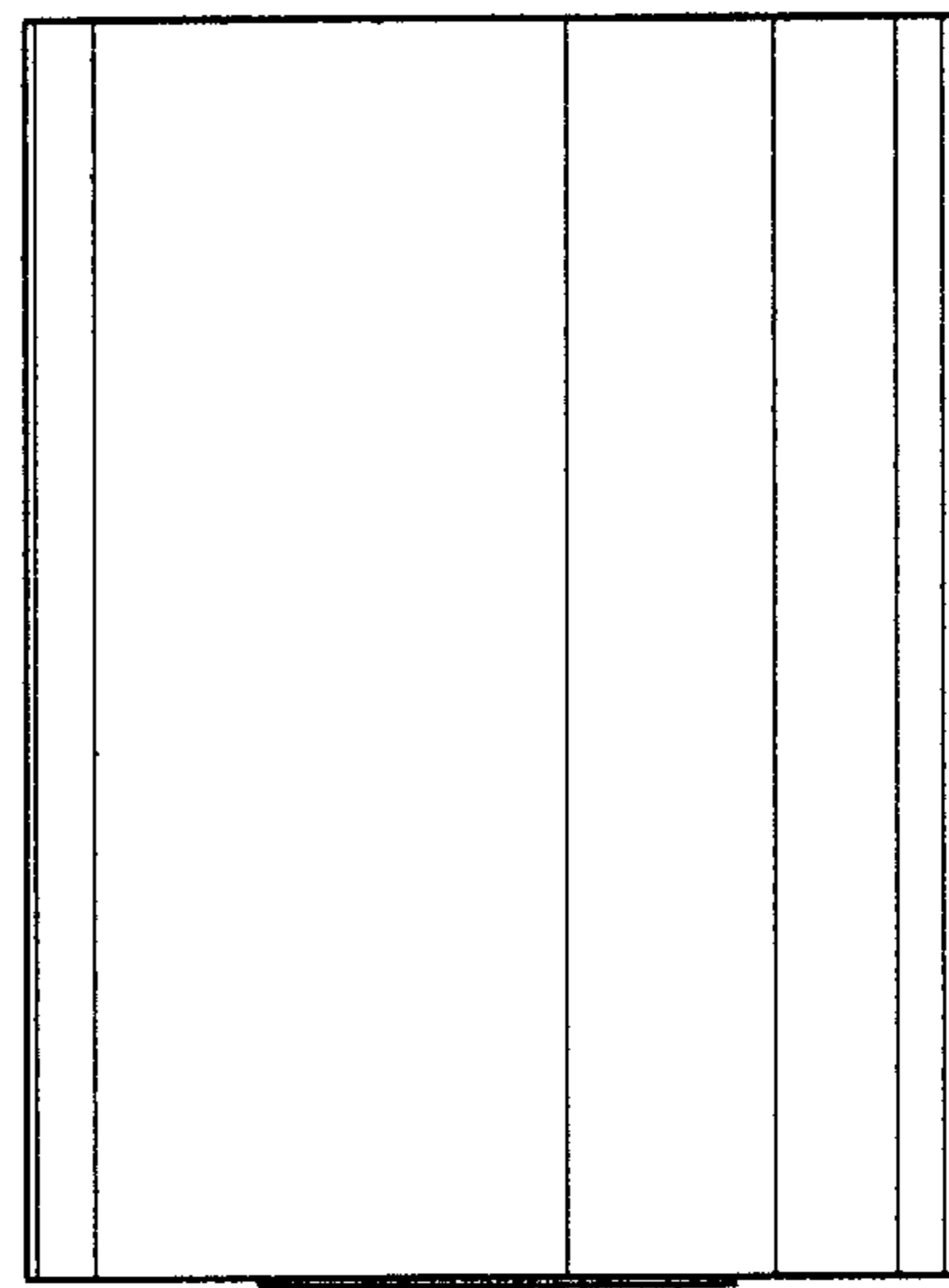


FIG. 3

FIG. 5

