



US00D488580S

(12) **United States Design Patent**
Hsu

(10) **Patent No.:** **US D488,580 S**

(45) **Date of Patent:** **** Apr. 13, 2004**

(54) **OUTDOOR LAMP**

(76) Inventor: **Kevin Hsu**, Fl. 11, No. 195, Ning Hsia Rd., Taichung (TW)

(**) Term: **14 Years**

(21) Appl. No.: **29/182,017**

(22) Filed: **May 19, 2003**

(51) **LOC (7) Cl.** **26-03**

(52) **U.S. Cl.** **D26/92**

(58) **Field of Search** D26/24, 67-73,
D26/80, 82, 84-92, 128; 362/145, 147,
153, 153.1, 186, 257, 276, 312, 330, 351,
354, 358, 361-363, 431-433, 806

(56) **References Cited**

U.S. PATENT DOCUMENTS

1,718,975	A	*	7/1929	Olley	362/257
D81,532	S	*	7/1930	Gosling	D26/88
1,978,882	A	*	10/1934	Olley	362/311
2,749,433	A	*	6/1956	Appelton	362/344
D300,373	S	*	3/1989	Galipeau et al.	D26/67
5,406,466	A	*	4/1995	Stokes	362/153.1
D378,437	S	*	3/1997	Tognu	D26/92

OTHER PUBLICATIONS

Sea Gull Lighting Products, Inc. 2001 Catalog, p. 301; item 8871-98.*

Design House Lighting catalog; p. 22; item 4011TW-1 Light Wall Fixture.*

Sea Gull Lighting Products, Inc. 2001 Catalog, p. 193; item 6510-62.*

* cited by examiner

Primary Examiner—Clare E. Heflin

(74) *Attorney, Agent, or Firm*—Alan D. Kamrath; Rider Bennett, LLP

(57) **CLAIM**

The ornamental design for an outdoor lamp, as shown and described.

DESCRIPTION

FIG. 1 is a perspective view of an outdoor lamp showing my design;

FIG. 2 is a front elevational view thereof;

FIG. 3 is a rear elevational view thereof;

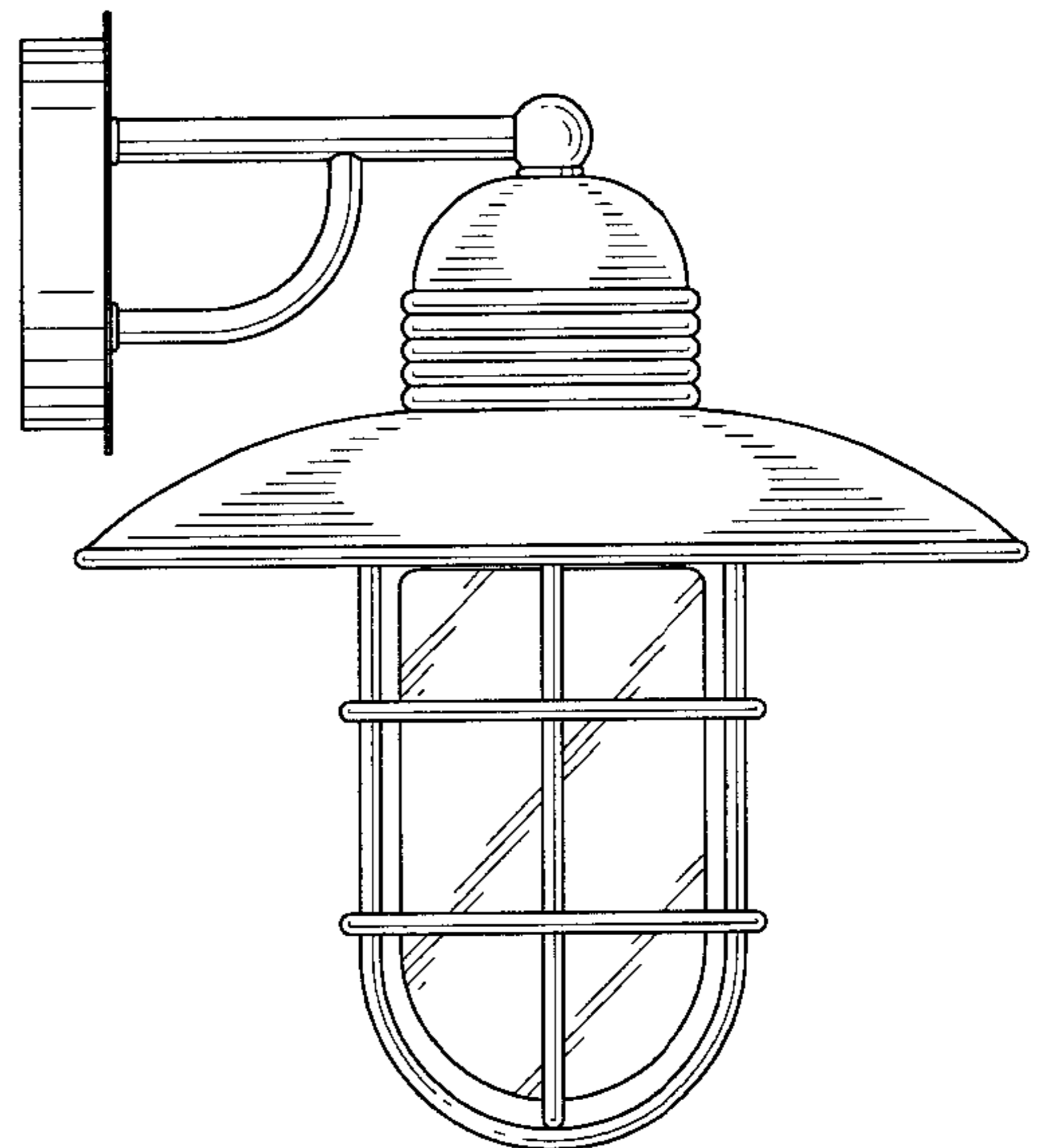
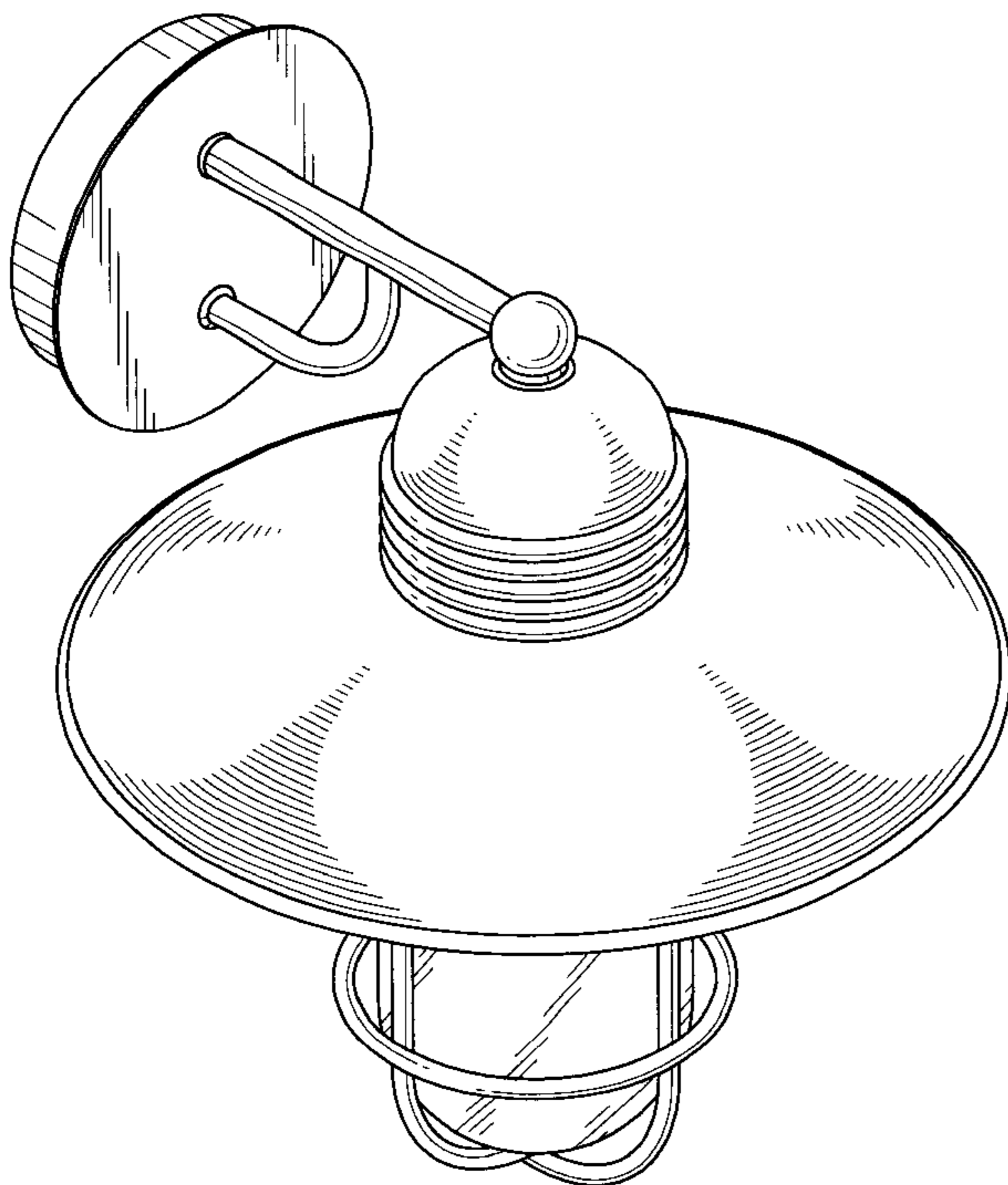
FIG. 4 is a left side elevational view thereof;

FIG. 5 is a right side elevational view thereof;

FIG. 6 is a top plan view thereof; and,

FIG. 7 is a bottom plan view thereof.

1 Claim, 4 Drawing Sheets



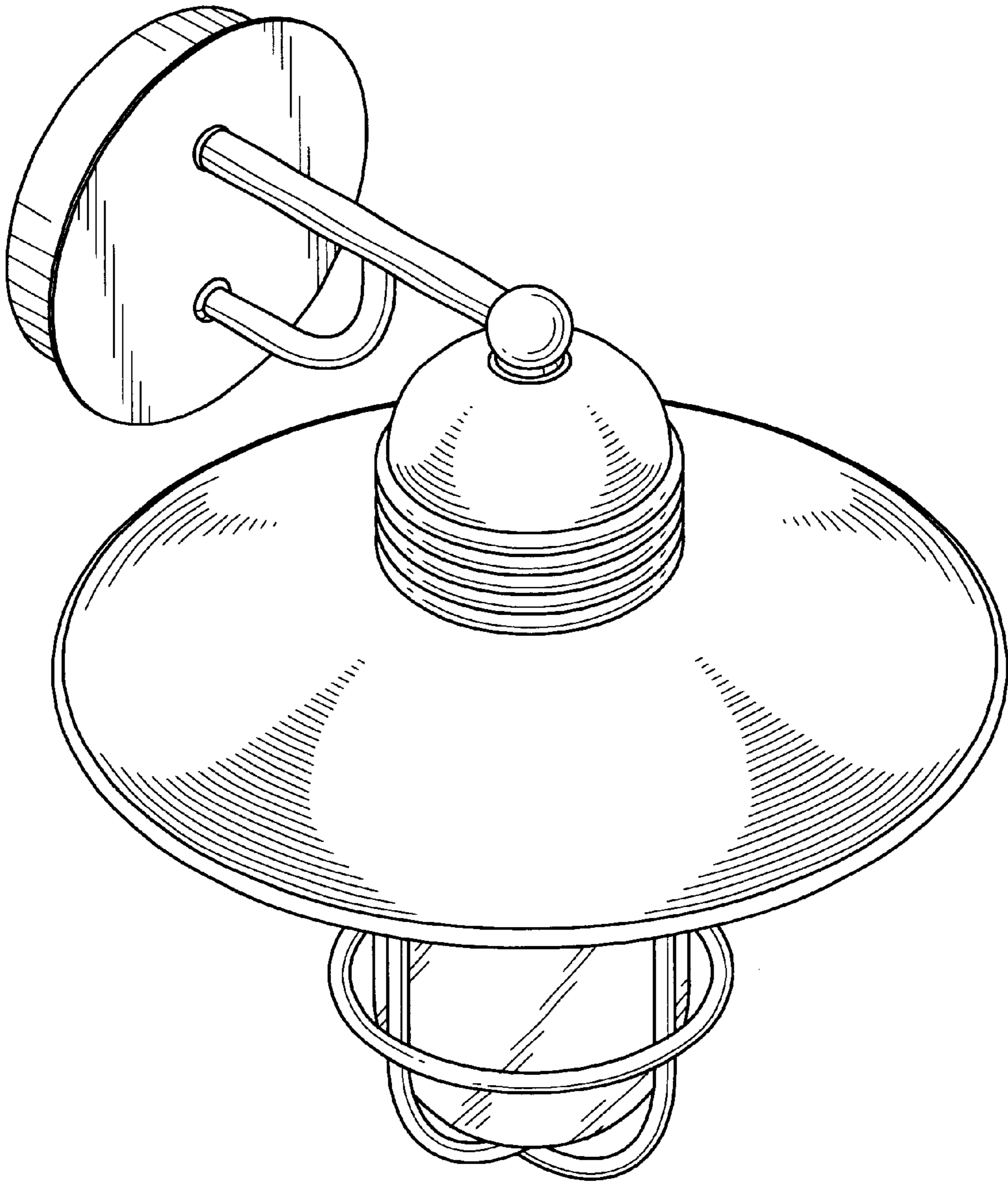


FIG. 1

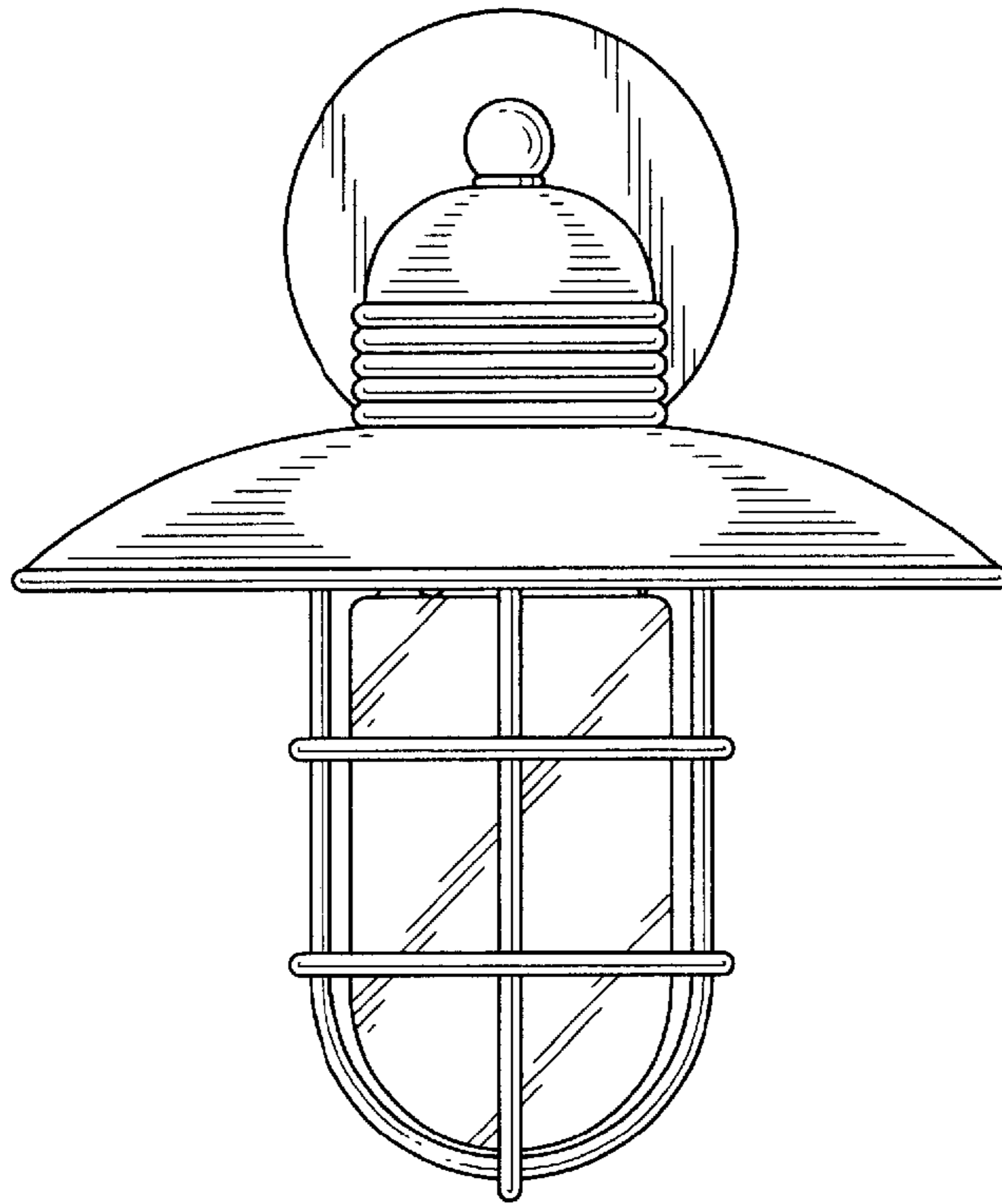


FIG. 2

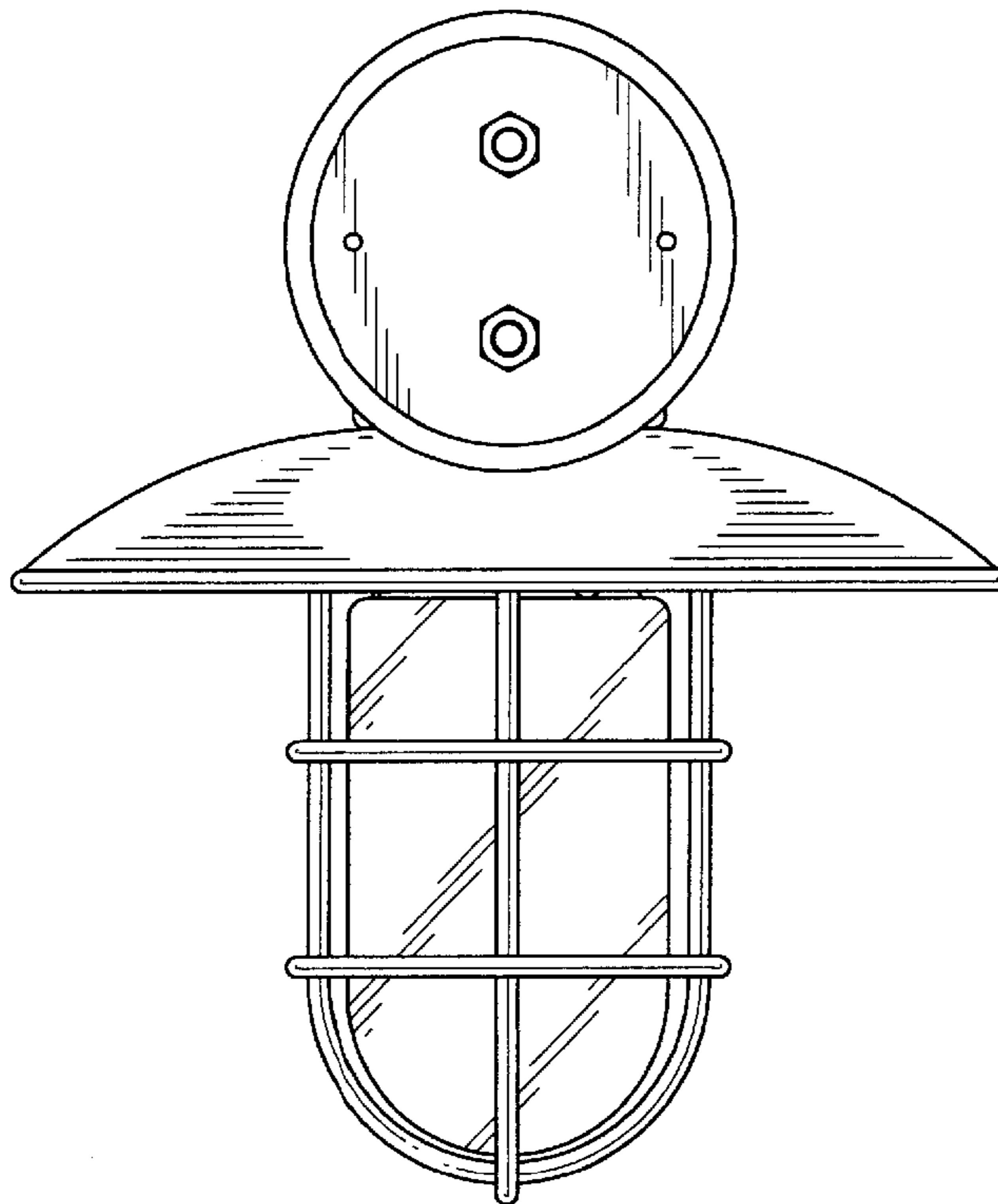


FIG. 3

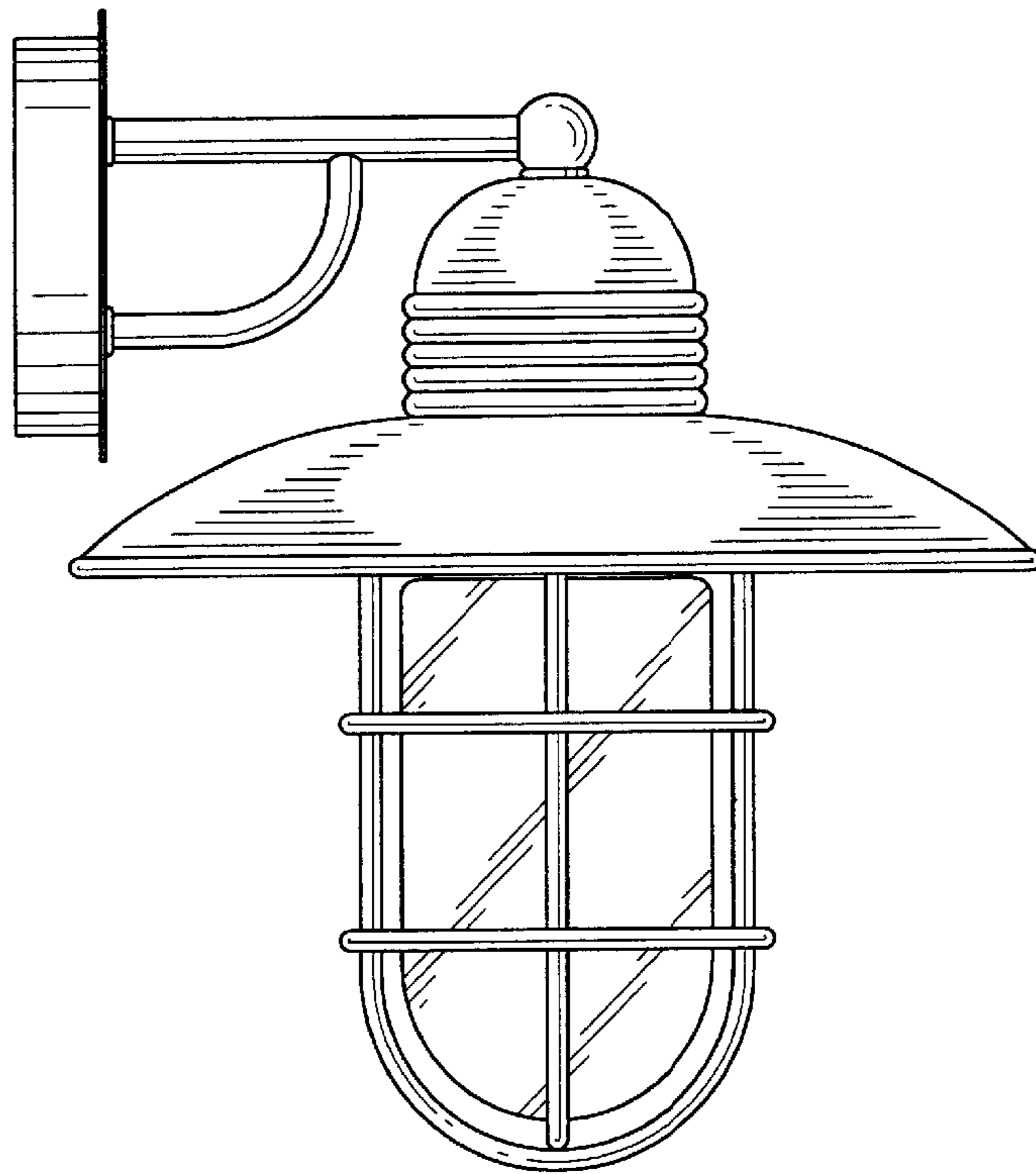


FIG. 4

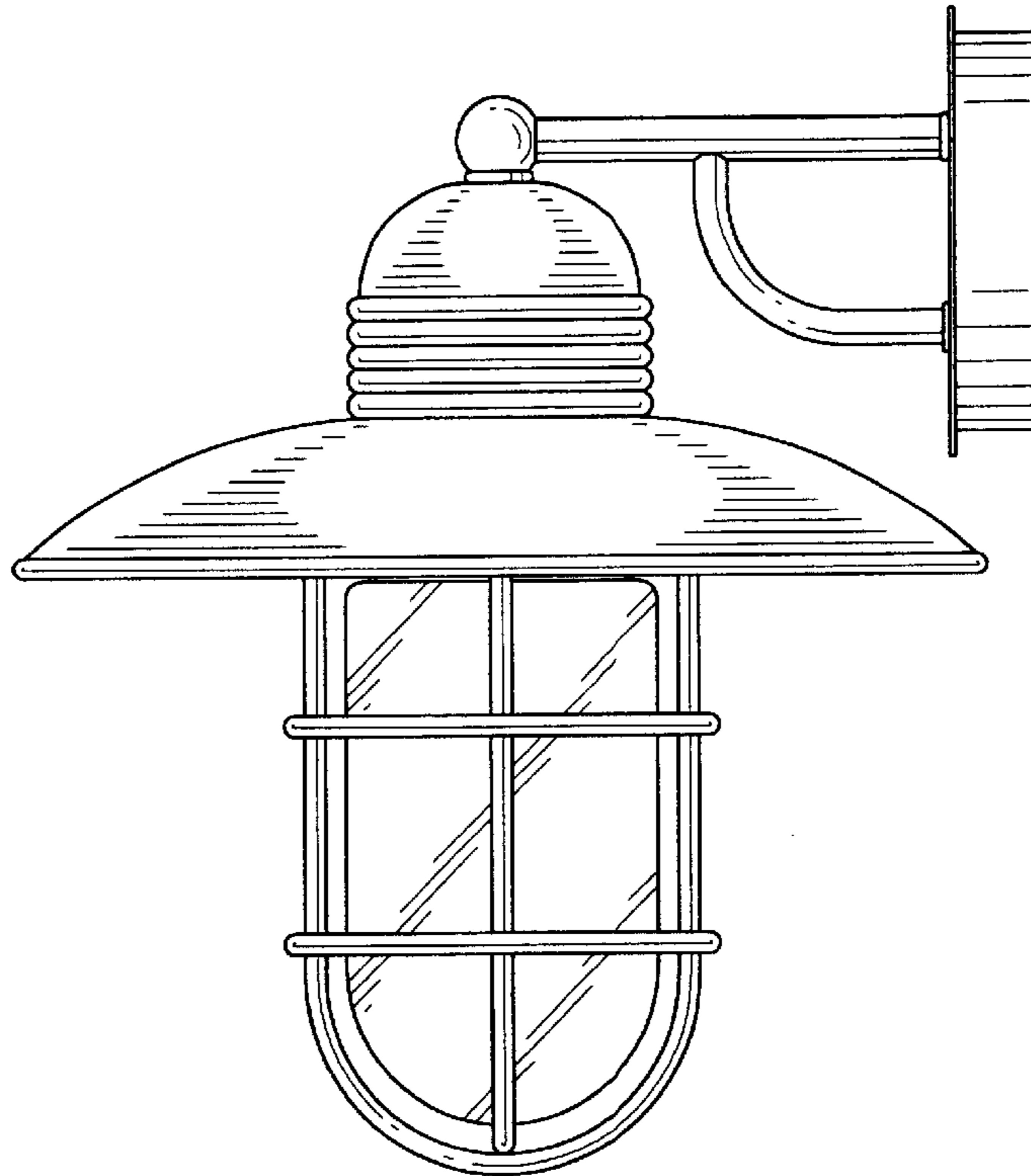


FIG. 5

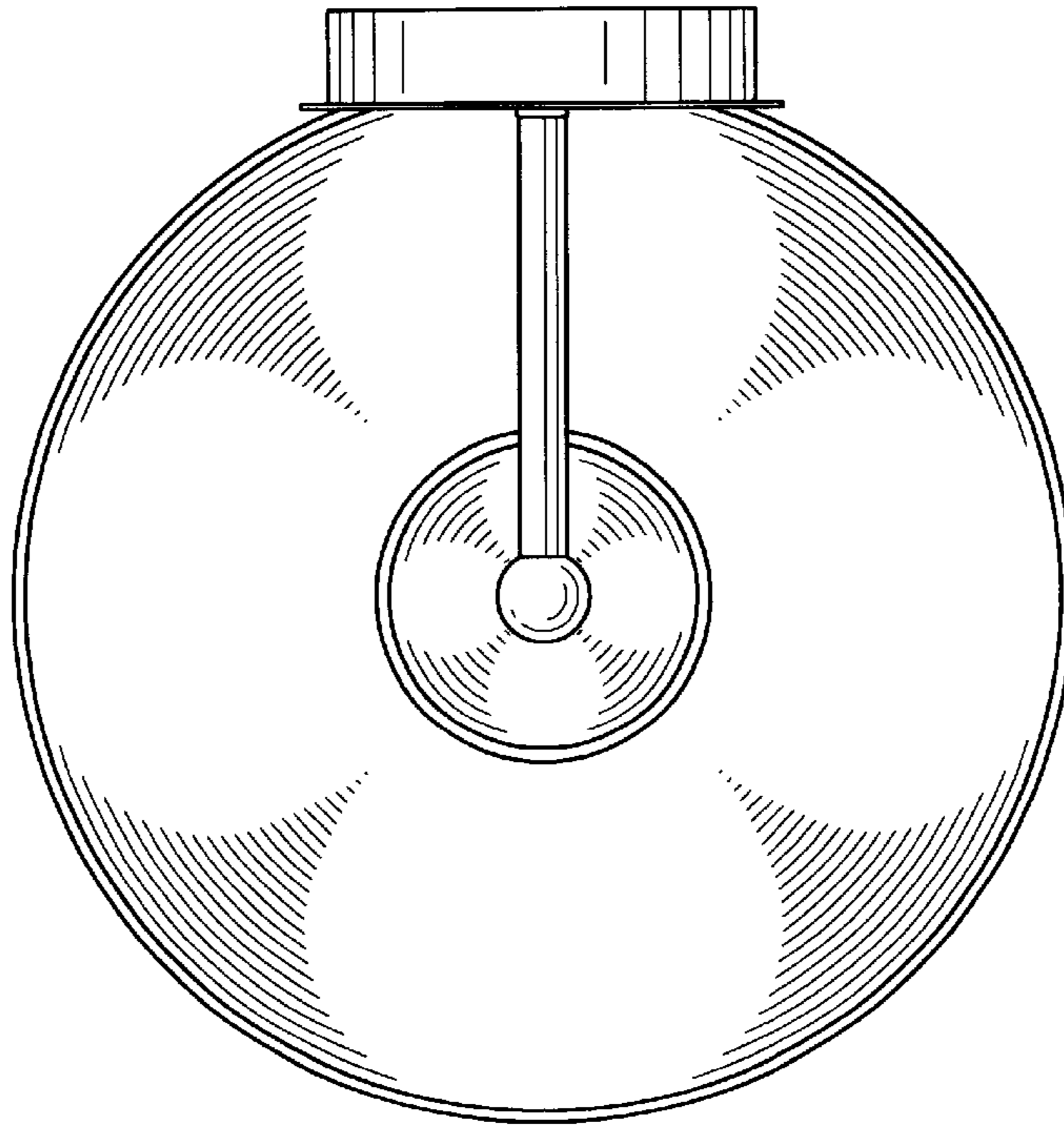


FIG. 6

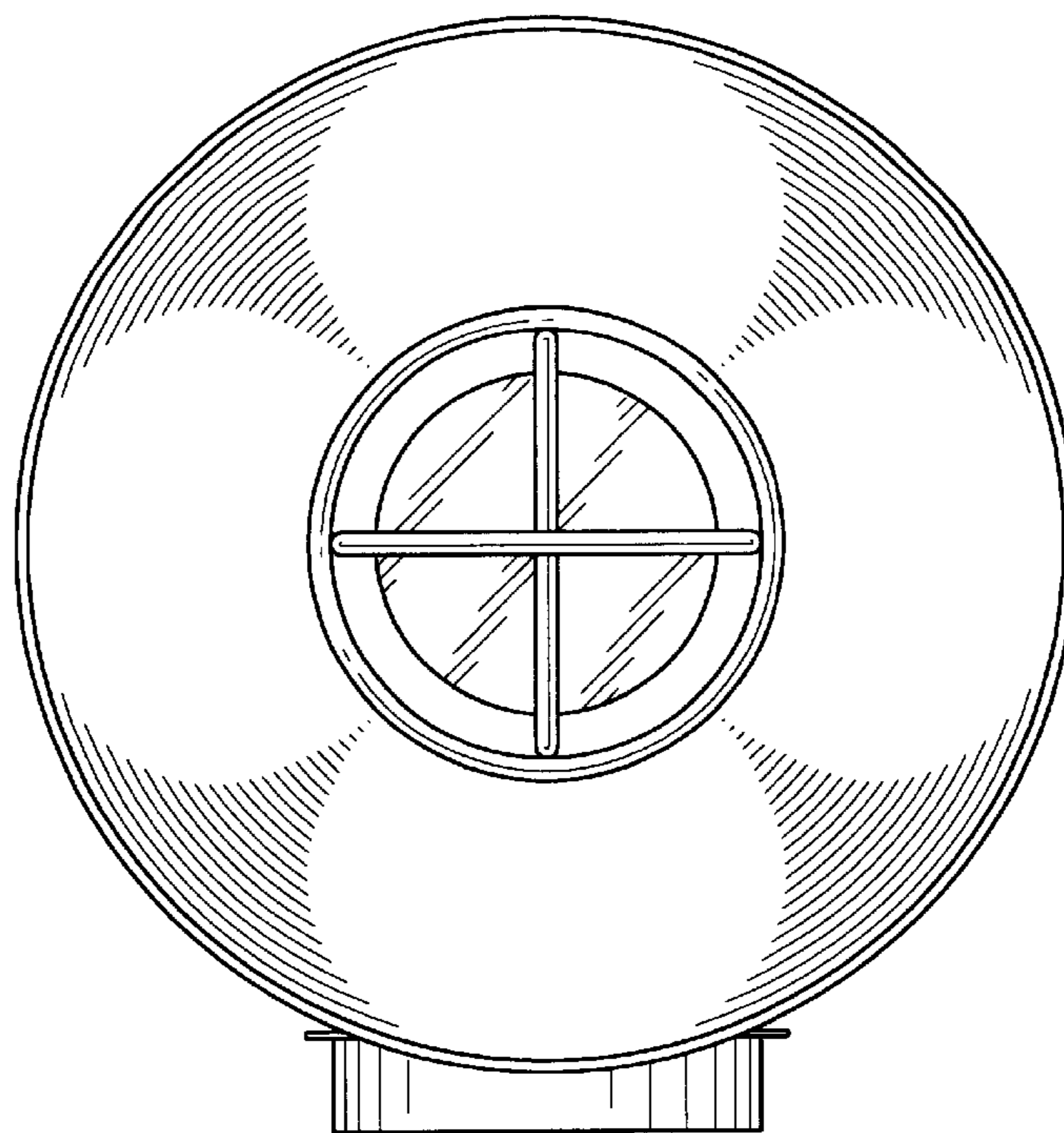


FIG. 7