



US00D488577S

(12) **United States Design Patent**  
**Hsu**

(10) **Patent No.:** **US D488,577 S**

(45) **Date of Patent:** **\*\* Apr. 13, 2004**

(54) **OUTDOOR LAMP**

D427,351 S \* 6/2000 Landefeld ..... D26/67

(76) Inventor: **Kevin Hsu**, Fl. 11, No. 195, Ning Hsia Rd., Taichung (TW)

(\*\*) Term: **14 Years**

(21) Appl. No.: **29/182,020**

(22) Filed: **May 19, 2003**

(51) **LOC (7) Cl.** ..... **26-05**

(52) **U.S. Cl.** ..... **D26/67; D26/72**

(58) **Field of Search** ..... D26/24, 67-73,  
D26/80, 82, 84-92, 128; 362/145, 147,  
153, 153.1, 186, 257, 276, 312, 330, 351,  
354, 358, 361-363, 431-433, 806

(56) **References Cited**

**U.S. PATENT DOCUMENTS**

1,599,721	A	*	9/1926	Roschen	.....	362/257
1,741,693	A	*	12/1929	Gillinder	.....	362/363
1,978,882	A	*	10/1934	Olley	.....	362/311
2,097,187	A	*	10/1937	Hron	.....	362/411
2,749,433	A	*	6/1956	Appelton	.....	362/344
D300,372	S	*	3/1989	O'Dohanue et al.	.....	D26/67
D347,905	S	*	6/1994	Barbour	.....	D26/67
D383,237	S	*	9/1997	Porter	.....	D26/68

**OTHER PUBLICATIONS**

Progress Lighting—Product Catalog 124, © 2000; p. 281; item P5454-44.\*

Sea Gull Lighting Catalog 2001; p. 193; item 6658-98.\*

\* cited by examiner

*Primary Examiner*—Clare E. Heflin

(74) *Attorney, Agent, or Firm*—Alan D. Kamrath; Rider Bennett, LLP

(57) **CLAIM**

The ornamental design for an outdoor lamp, as shown and described.

**DESCRIPTION**

FIG. 1 is a perspective view of an outdoor lamp showing my design;

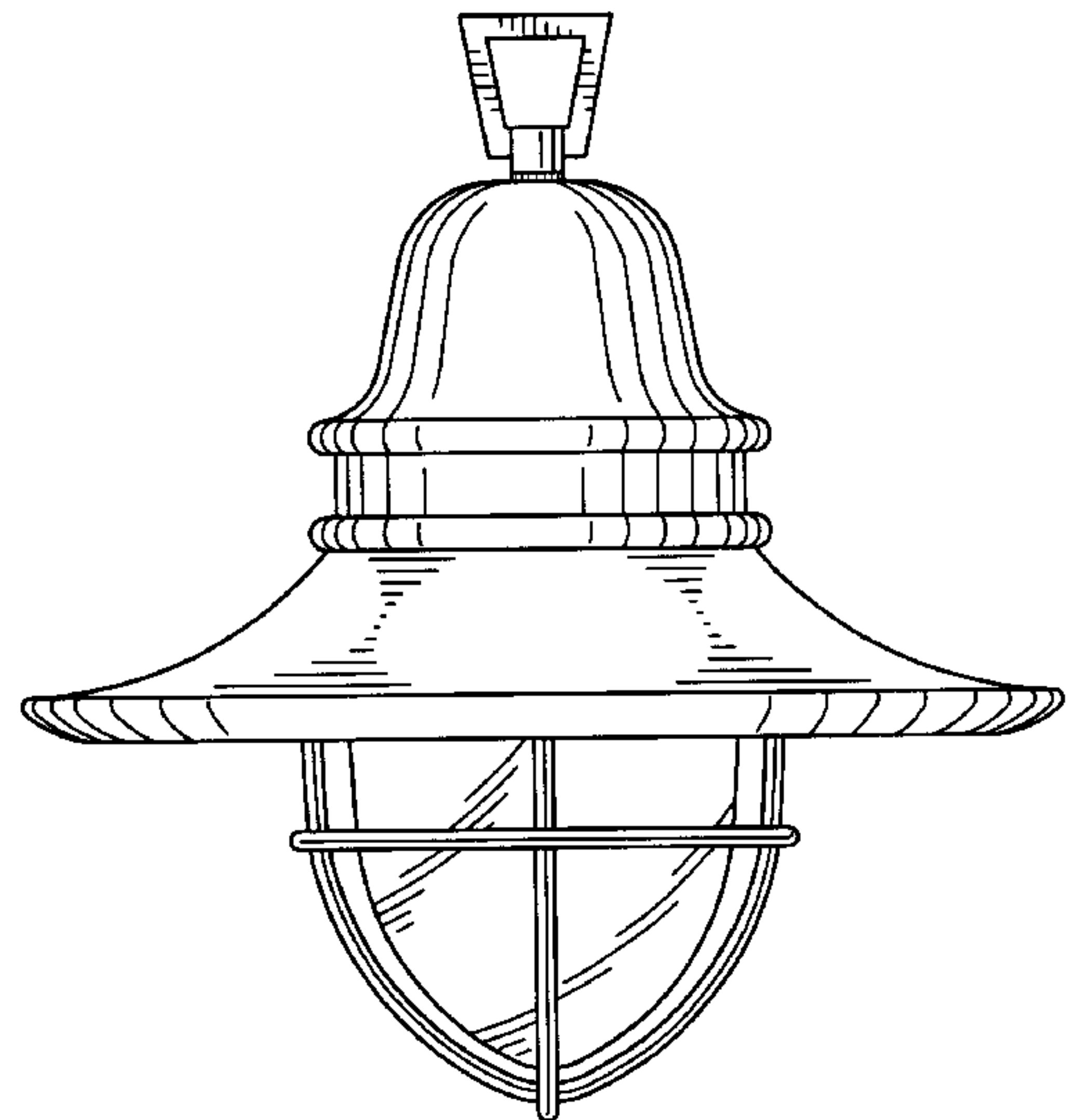
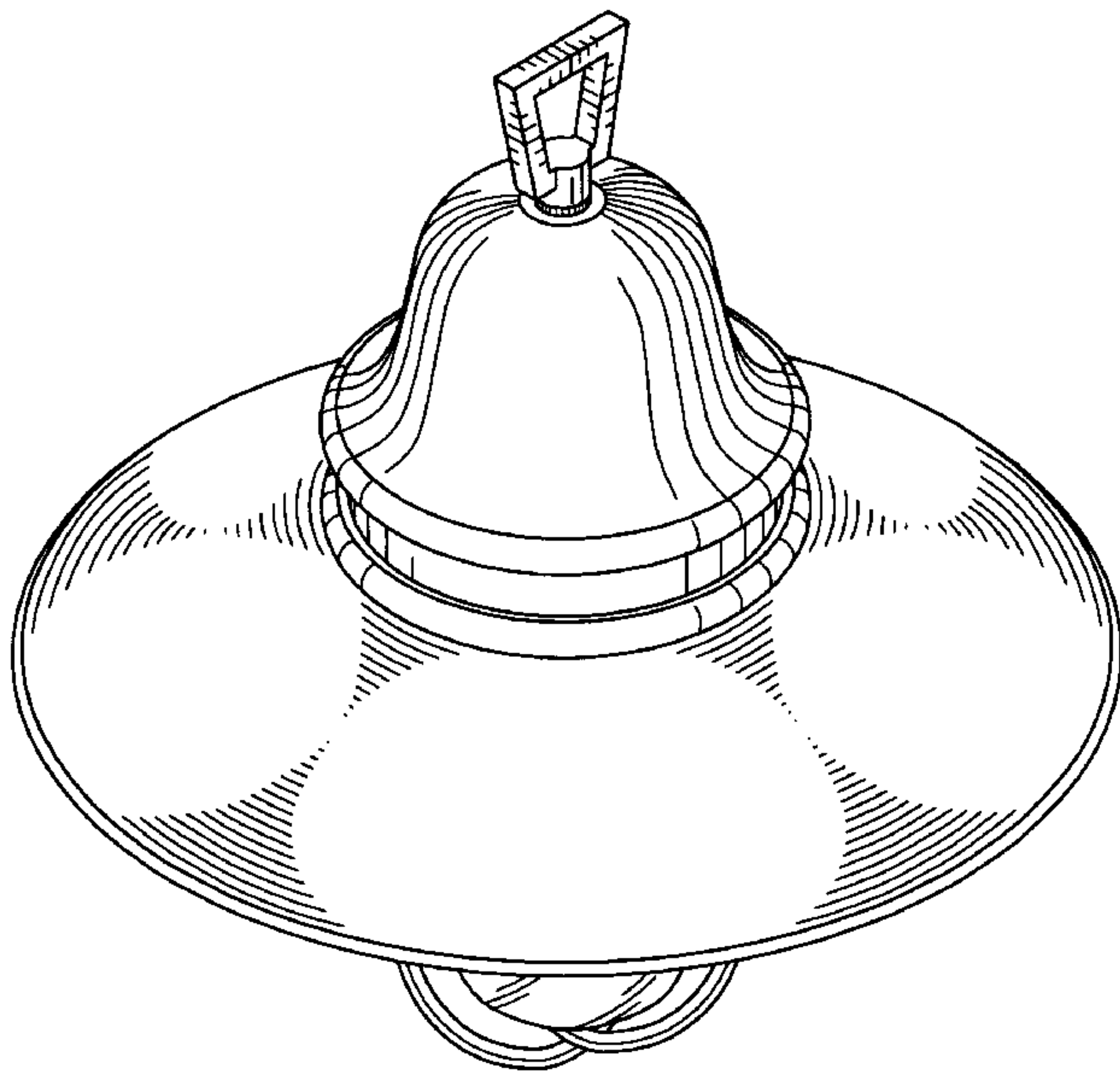
FIG. 2 is a front elevational view thereof, and a rear elevational view is identically the same;

FIG. 3 is a left side elevational view thereof, and a right side elevational view is identically the same;

FIG. 4 is a top plan view thereof; and,

FIG. 5 is a bottom plan view thereof.

**1 Claim, 3 Drawing Sheets**



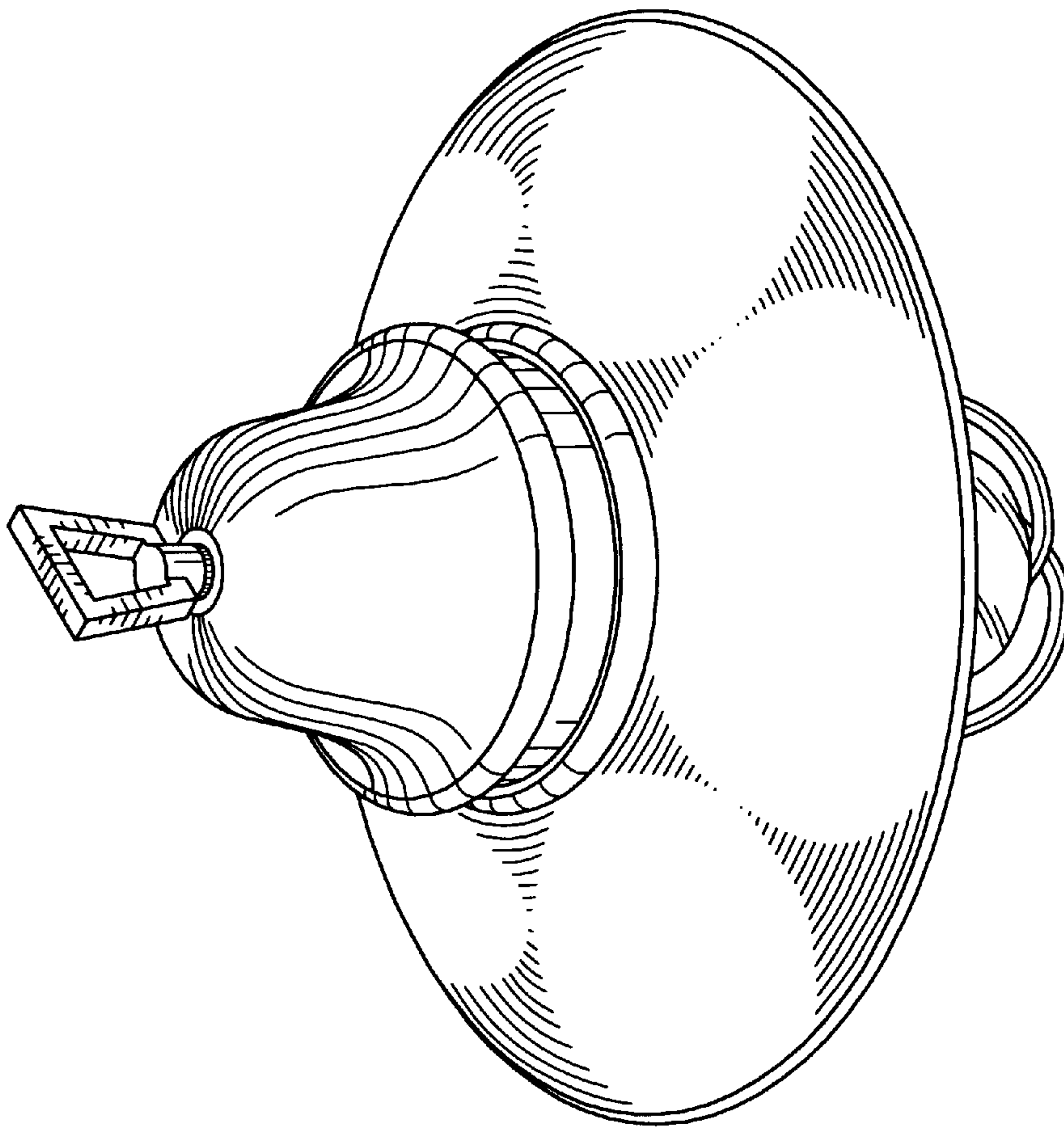


FIG. 1

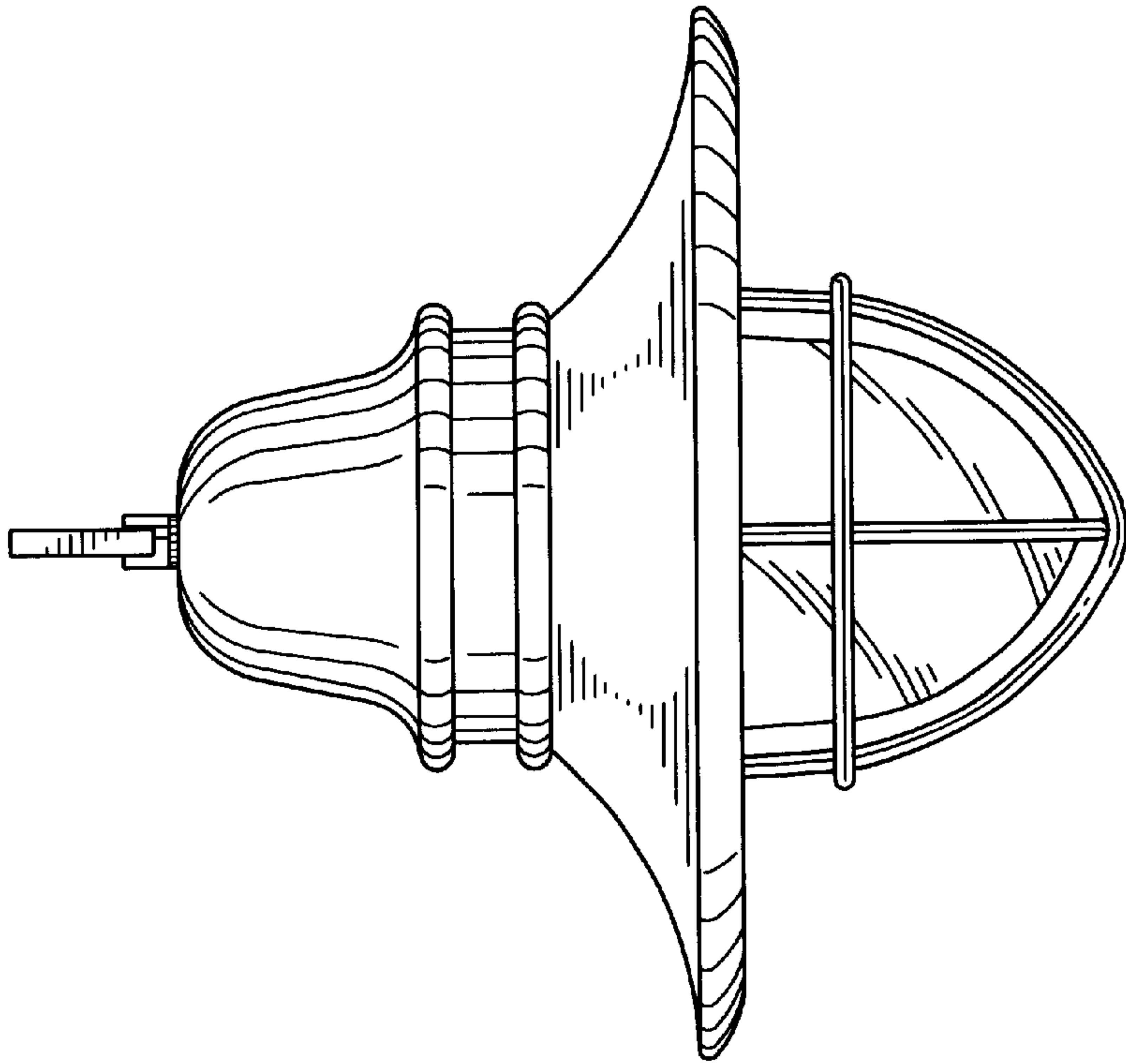


FIG.3

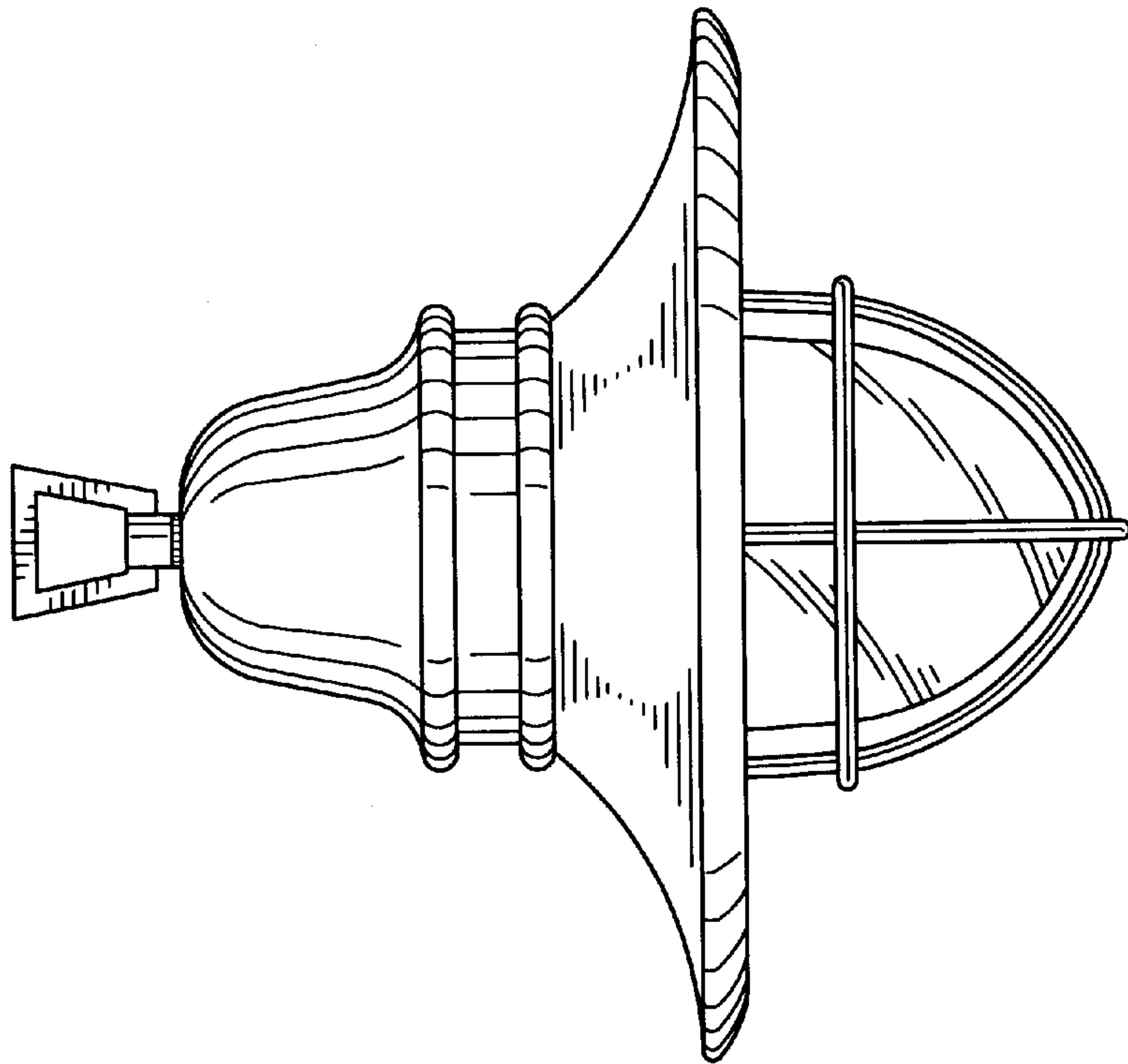


FIG.2

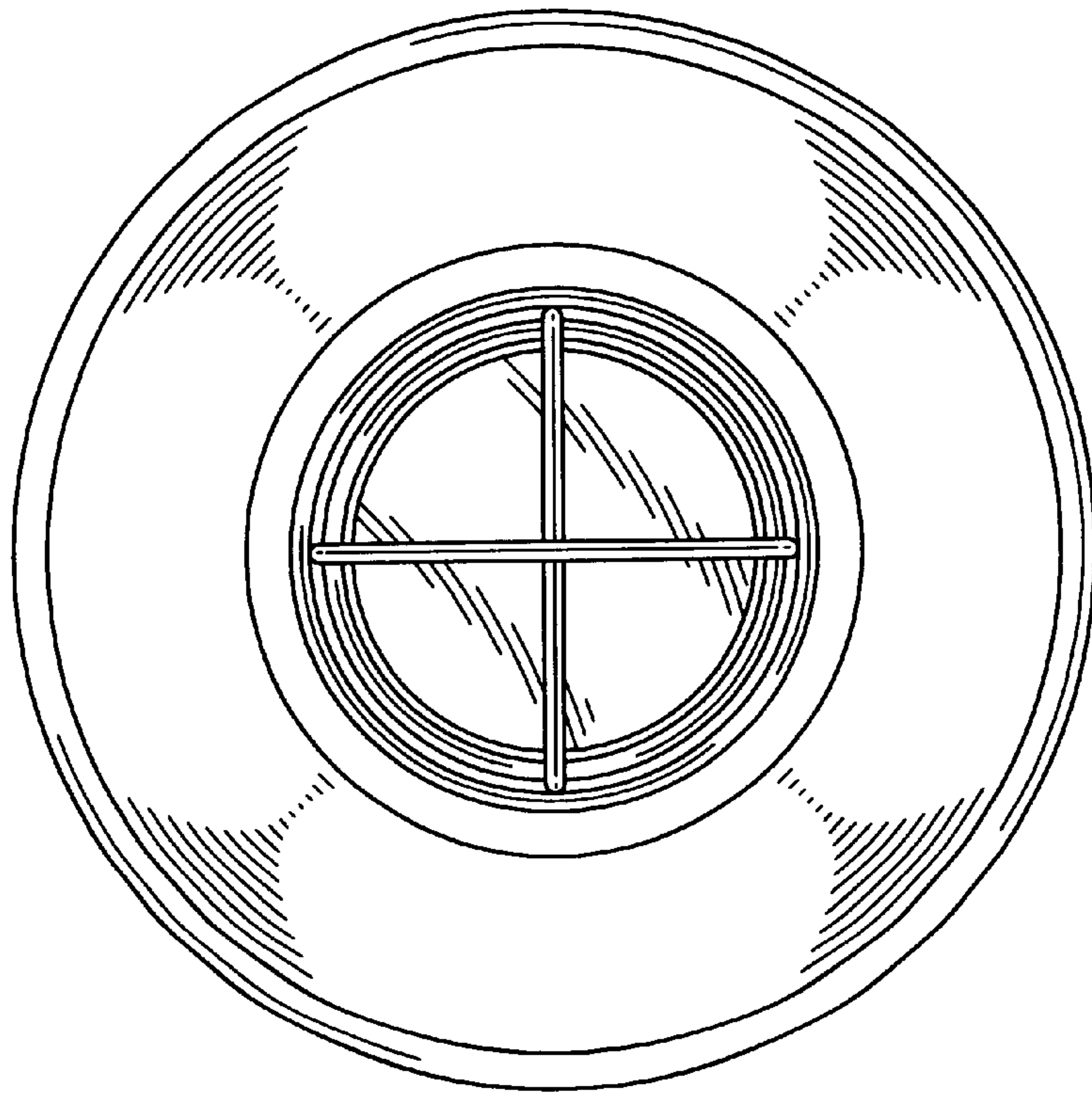


FIG.5

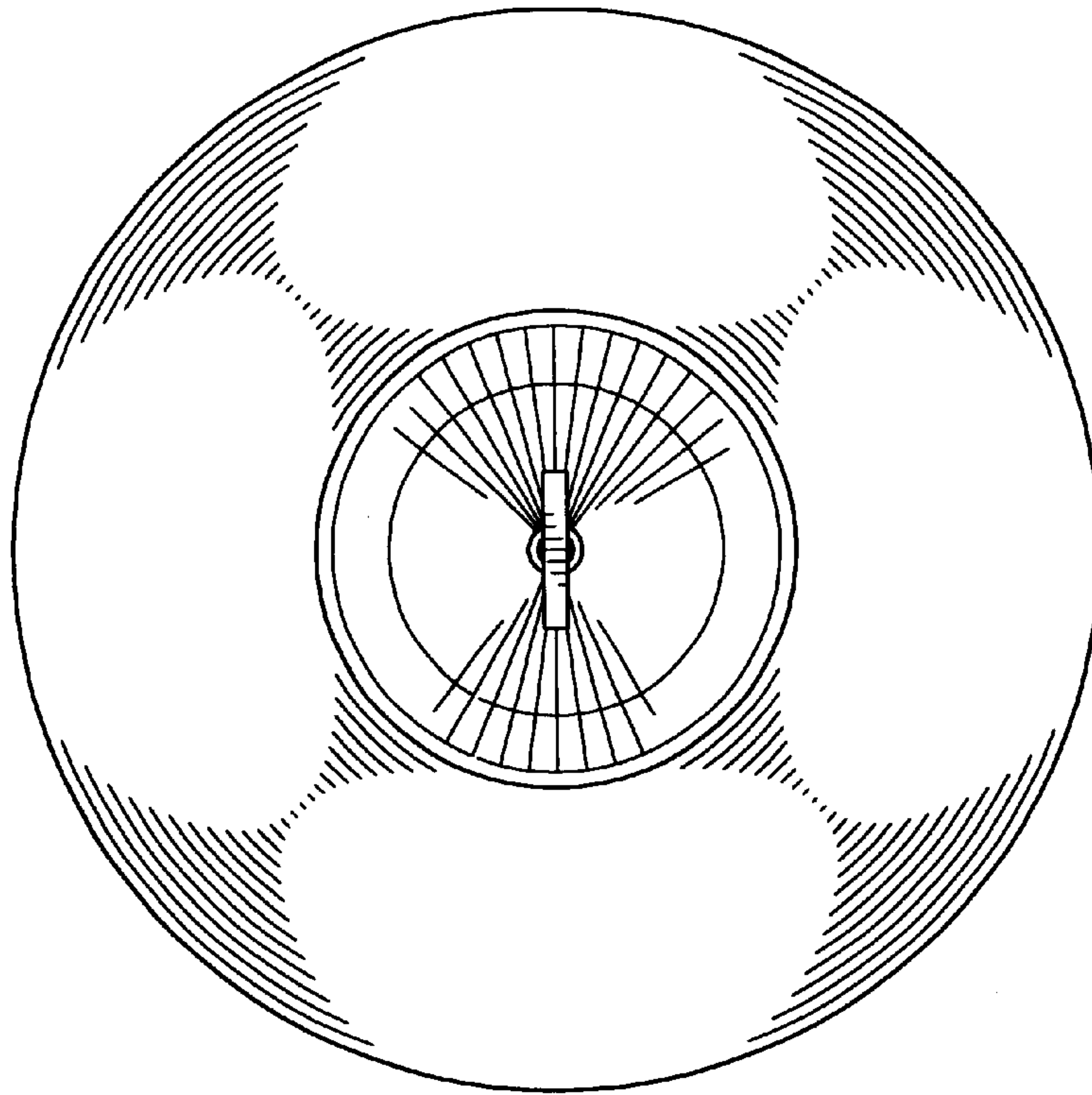


FIG.4