



US00D488576S

(12) **United States Design Patent**
Chen

(10) **Patent No.:** **US D488,576 S**

(45) **Date of Patent:** **** Apr. 13, 2004**

(54) **SOLAR LIGHT**

(75) Inventor: **Chi Gon Chen**, Guang Zhou (CN)

(73) Assignee: **International Development Corporation**, Southlake, TX (US)

(**) Term: **14 Years**

(21) Appl. No.: **29/177,499**

(22) Filed: **Mar. 11, 2003**

(51) **LOC (7) Cl.** **26-05**

(52) **U.S. Cl.** **D26/67**

(58) **Field of Search** D26/67, 68, 72,
D26/80-92, 113, 118, 128, 129; 362/147,
153, 153.1, 159, 363, 368, 367, 404-408,
431, 432

(56) **References Cited**

U.S. PATENT DOCUMENTS

- D214,186 S * 5/1969 Meltzer D26/85
- D309,785 S * 8/1990 Chien D26/67
- D382,662 S * 8/1997 Shalvi D26/68

OTHER PUBLICATIONS

CENS Lighting Feb. 2003; p. 109; fixture in bottom left photo.*

Rockscapes, Inc. Landscape Illumination Catalog; back cover; item #CL-270 "Capistrano Candle" and #CL-260 "Sausalito Candle".*

* cited by examiner

Primary Examiner—Clare E Heflin

(74) *Attorney, Agent, or Firm*—Gardere Wynne Sewell LLP; Kenneth T. Emanuelson

(57) **CLAIM**

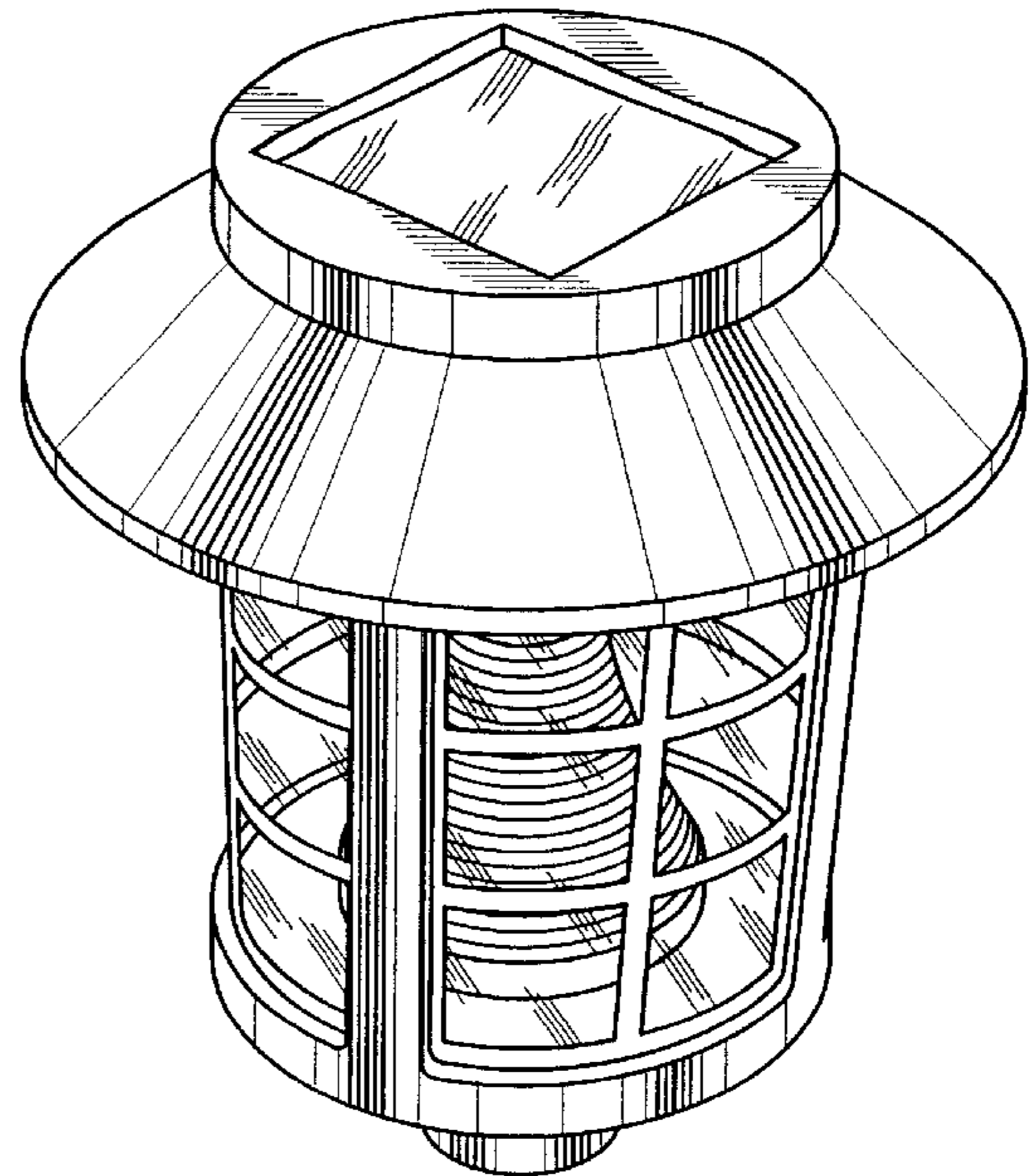
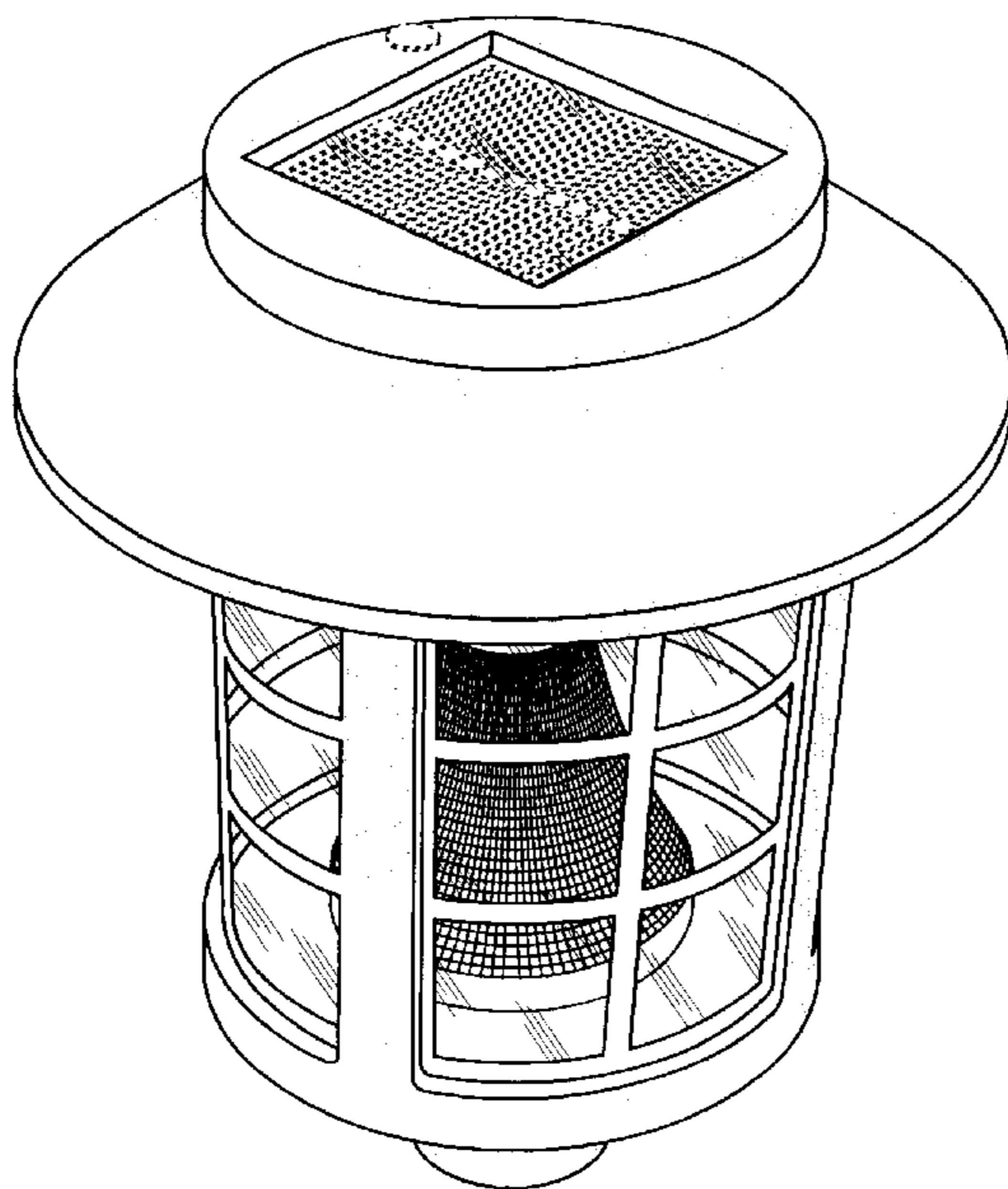
The ornamental design for the solar light, as shown and described.

DESCRIPTION

FIG. 1 is a three-dimensional view of a first embodiment of a solar light showing the new design;
 FIG. 2 is a top view thereof;
 FIG. 3 is a bottom view thereof;
 FIG. 4 is a right side view thereof;
 FIG. 5 is a front view thereof;
 FIG. 6 is a three-dimensional view of a second embodiment of a solar light showing the new design;
 FIG. 7 is a top view thereof;
 FIG. 8 is a bottom view thereof;
 FIG. 9 is a right side view thereof; and,
 FIG. 10 is a front view thereof.

The broken lines shown on the drawings are for illustrative purposes only and form no part of the claimed design.

1 Claim, 4 Drawing Sheets



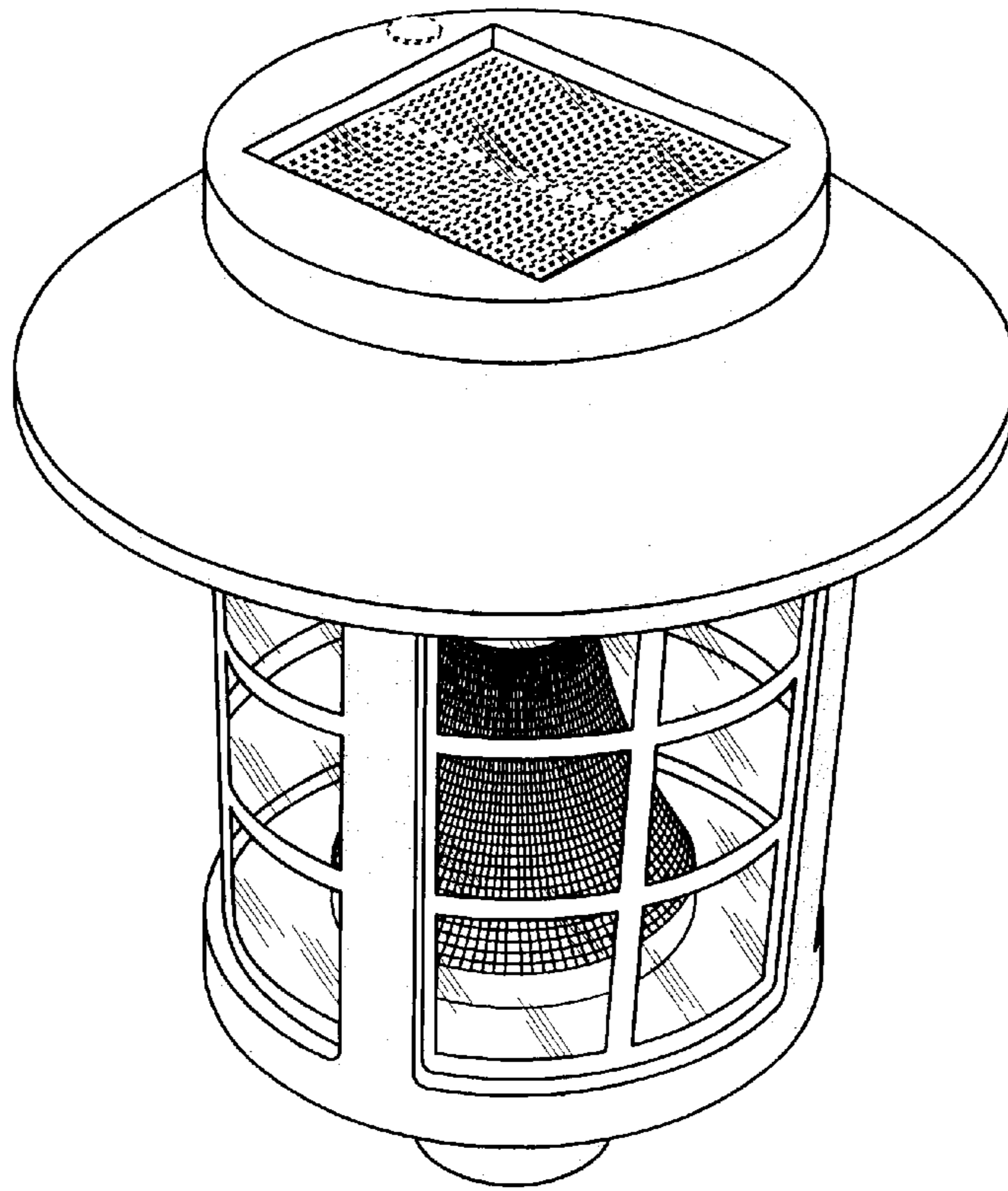


Fig. 1

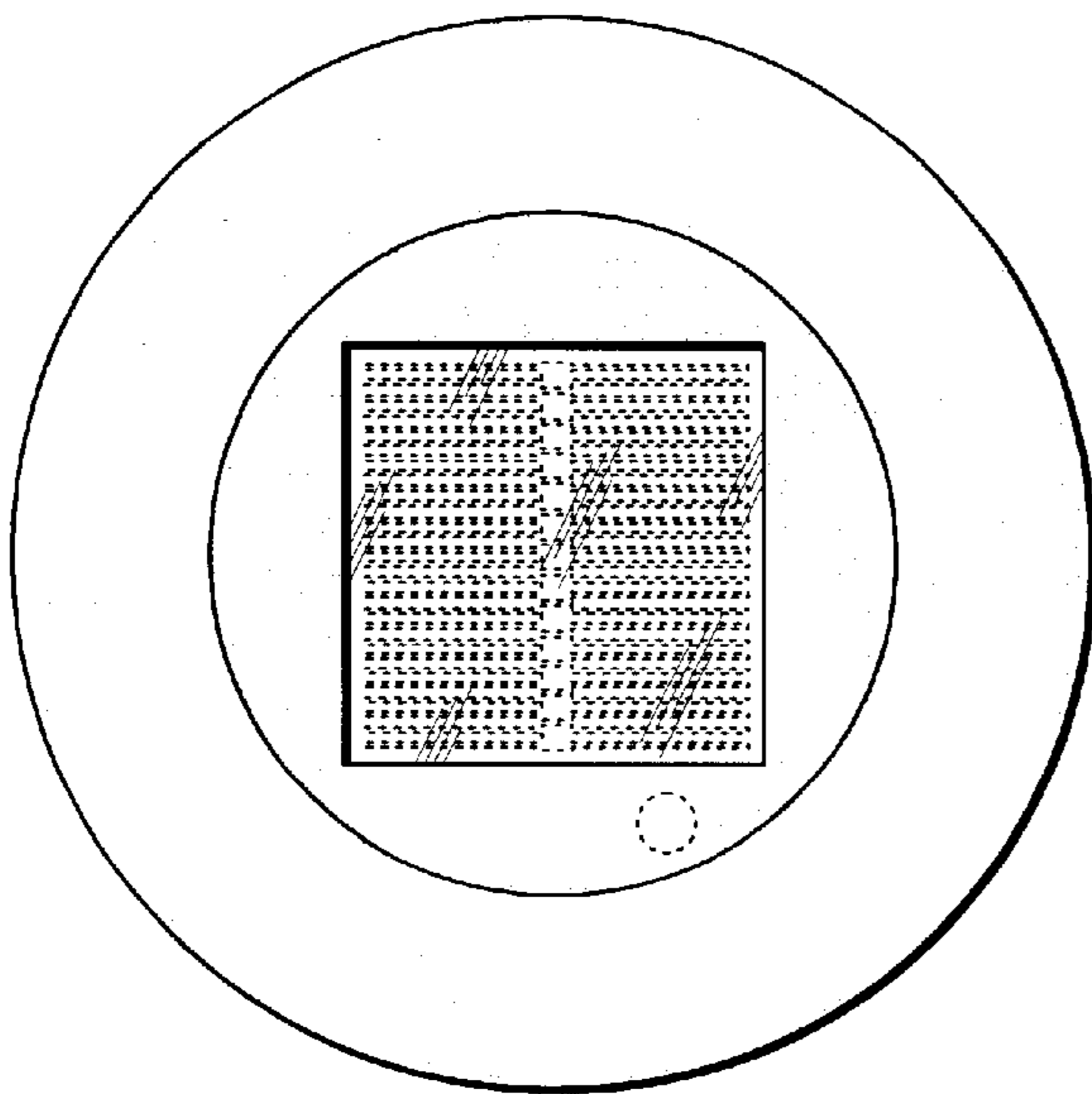


Fig. 2

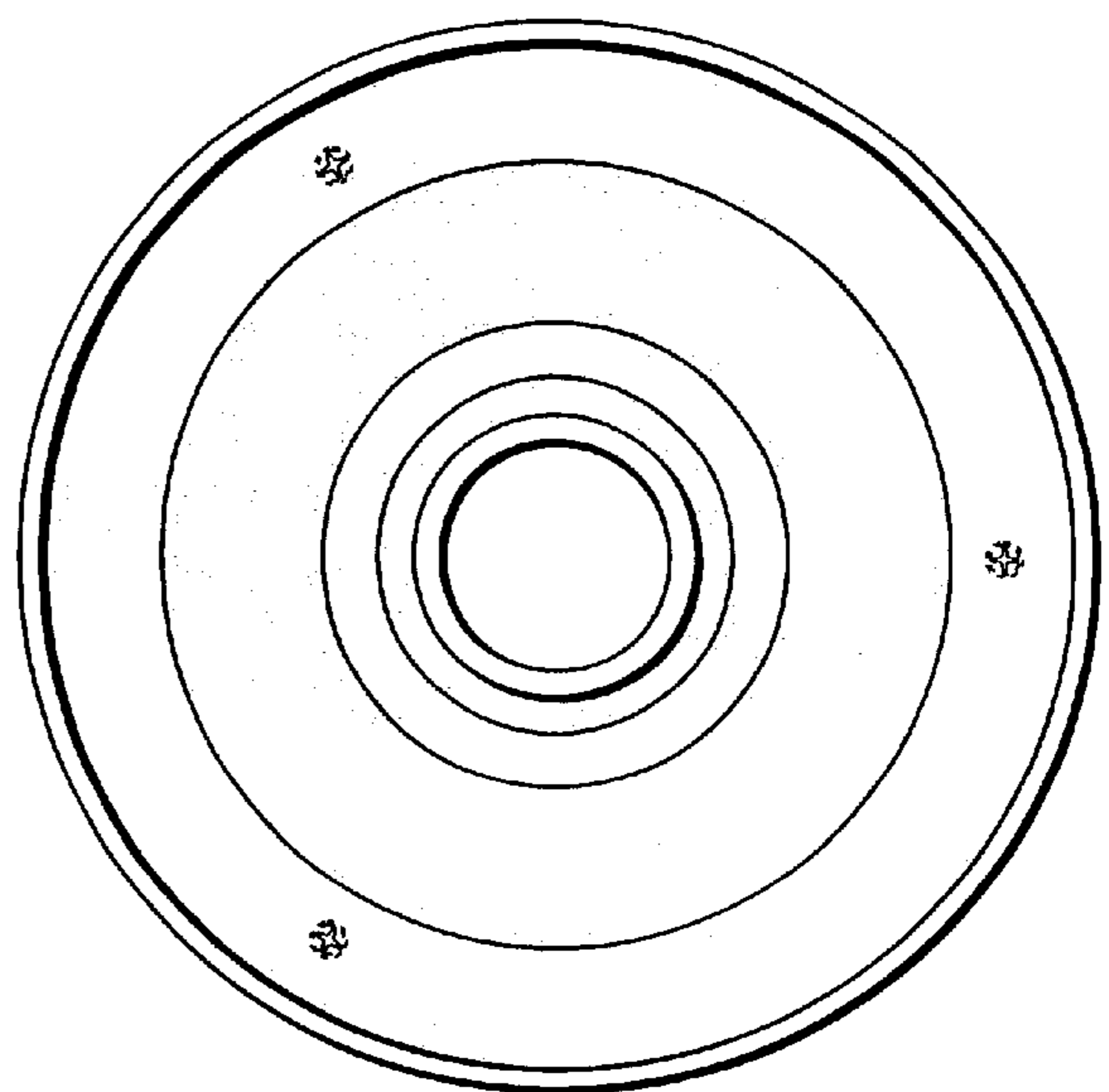


Fig. 3

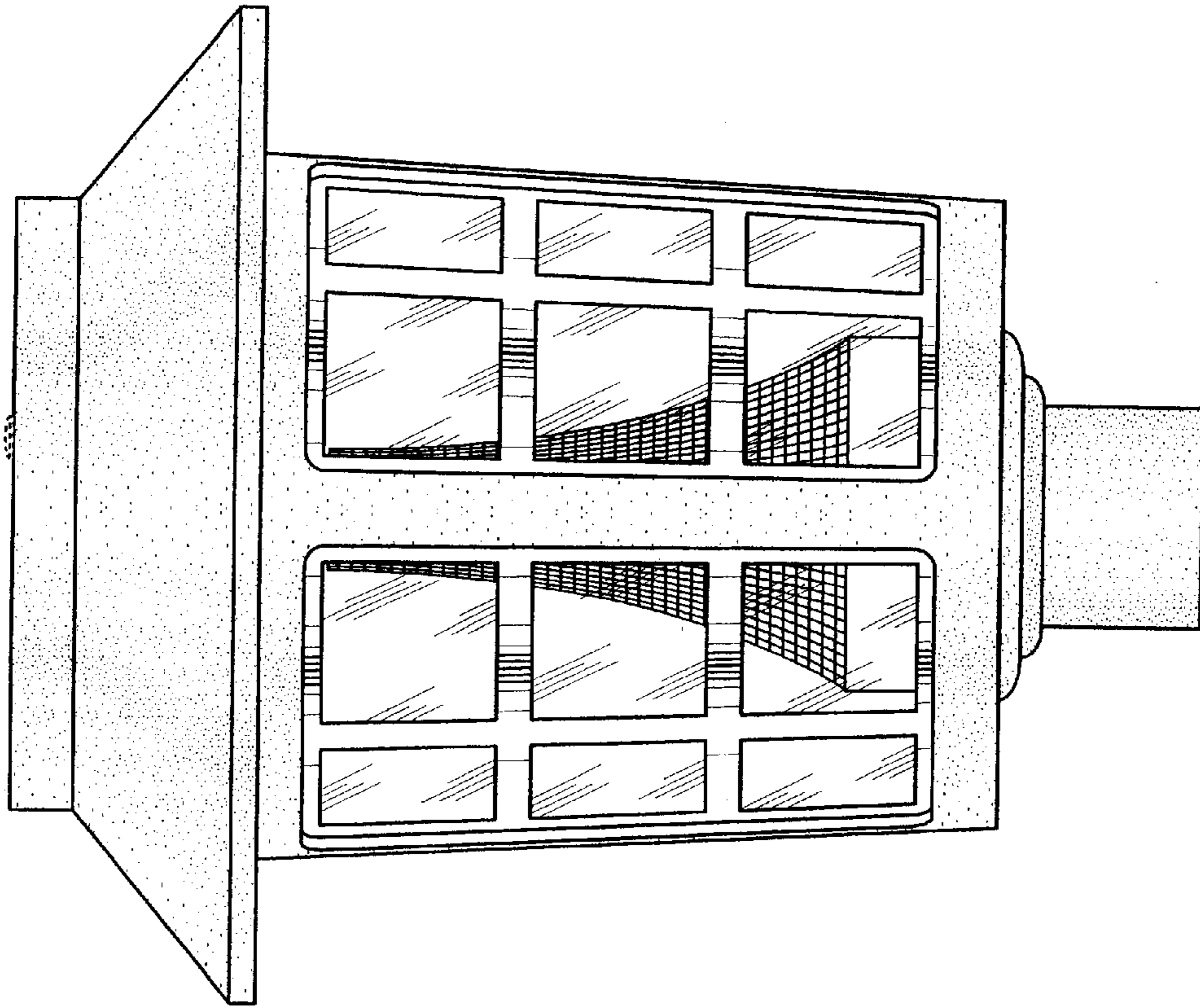


Fig. 5

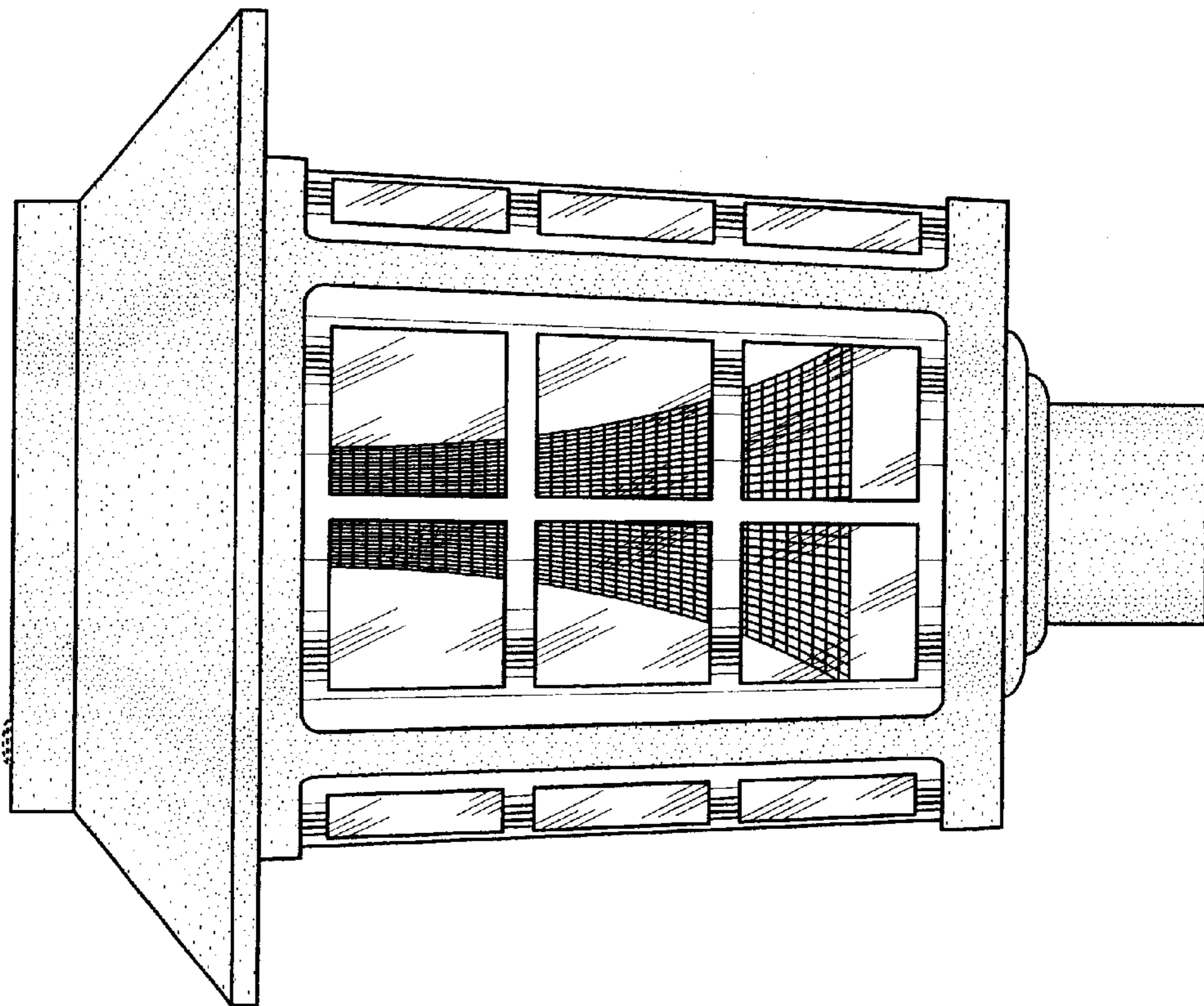


Fig. 4

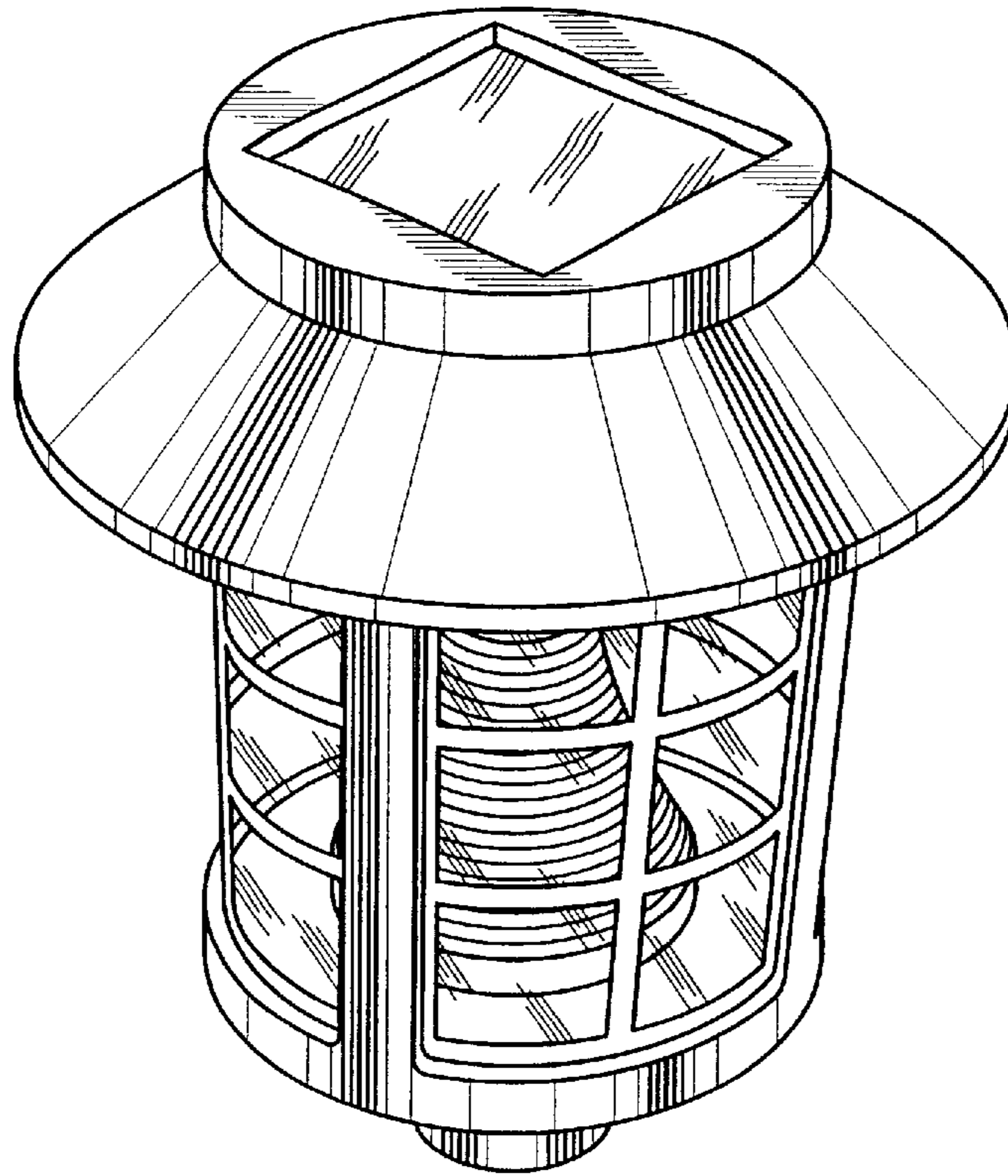


Fig. 6

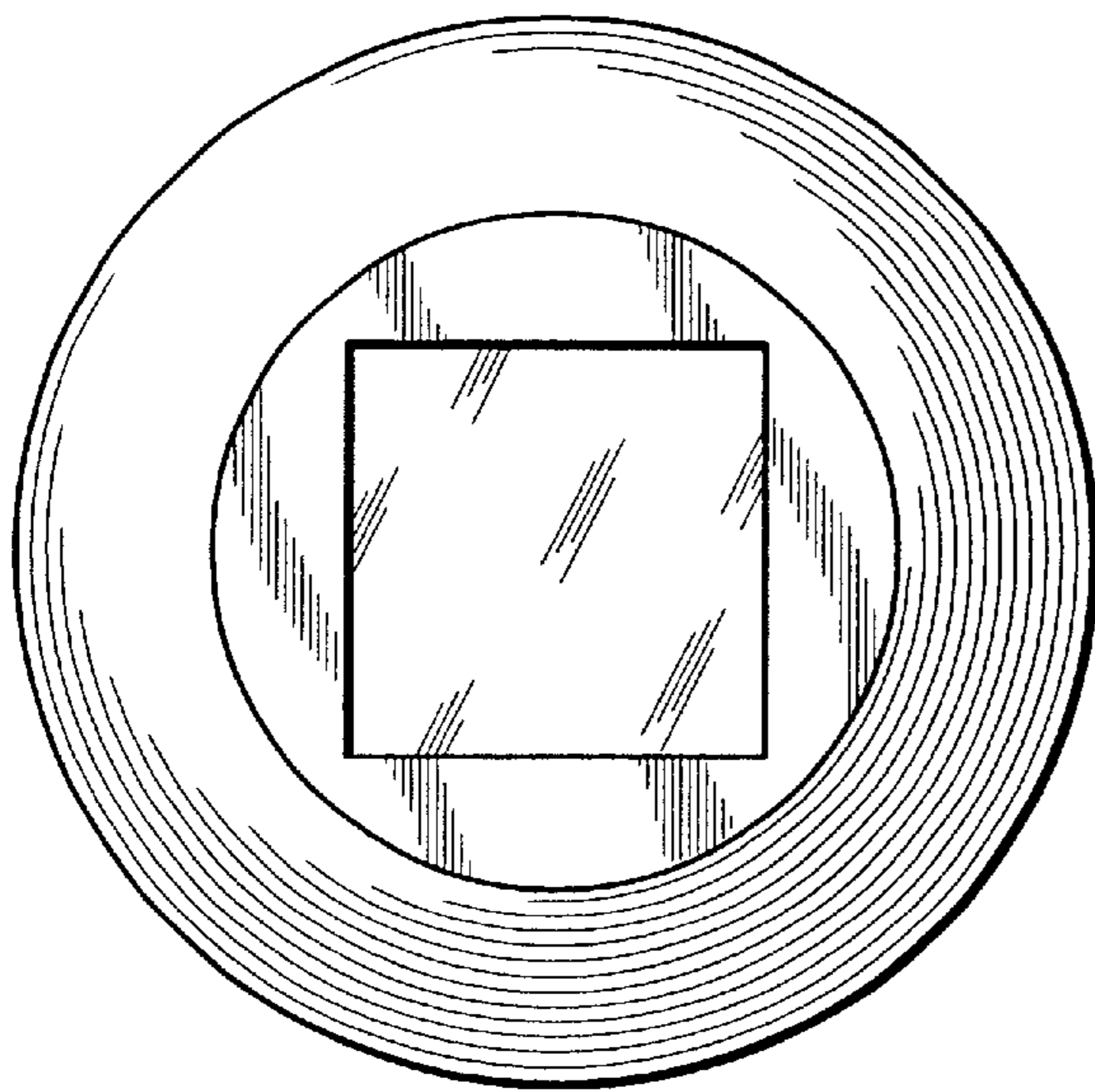


Fig. 7

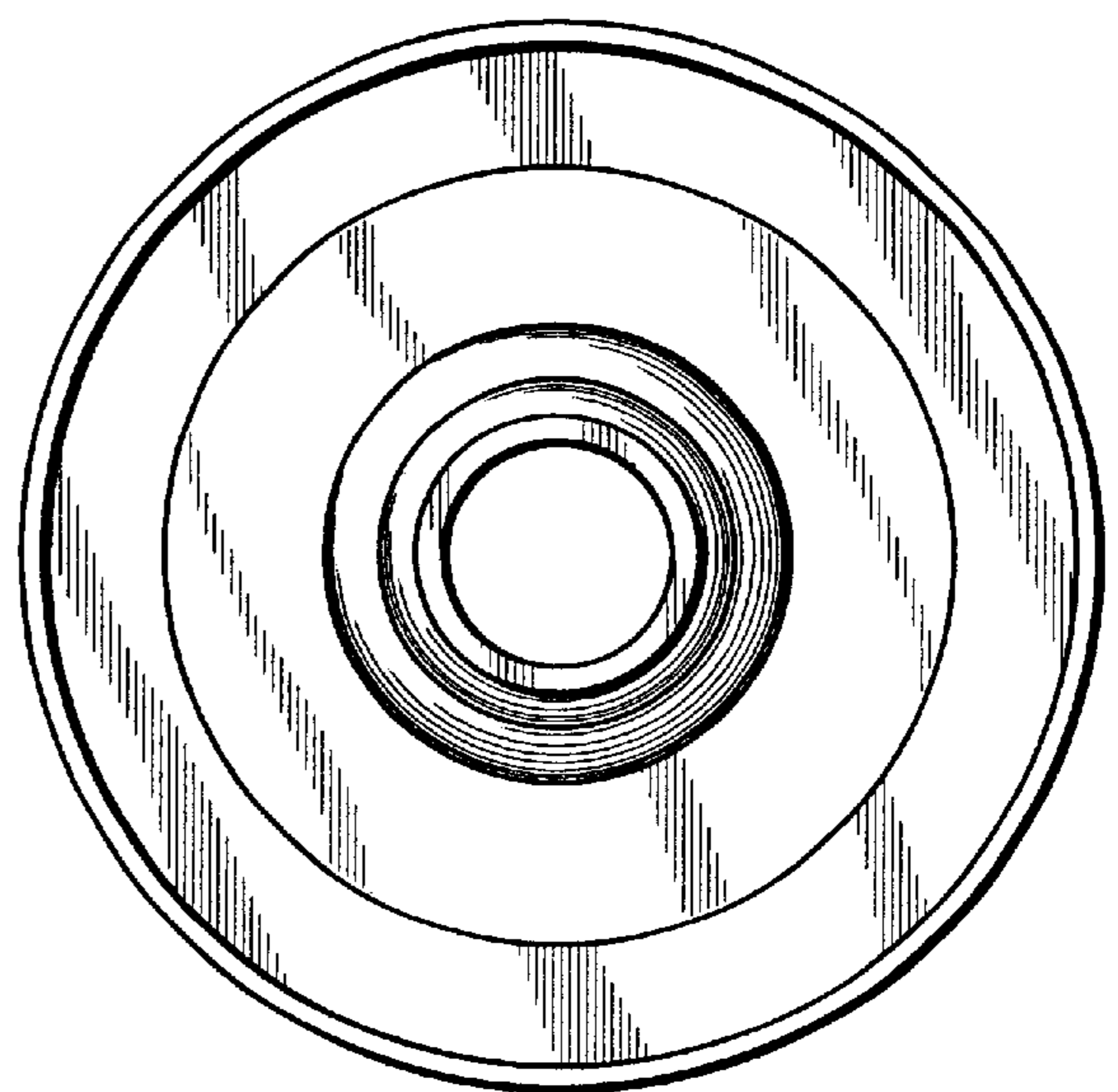


Fig. 8

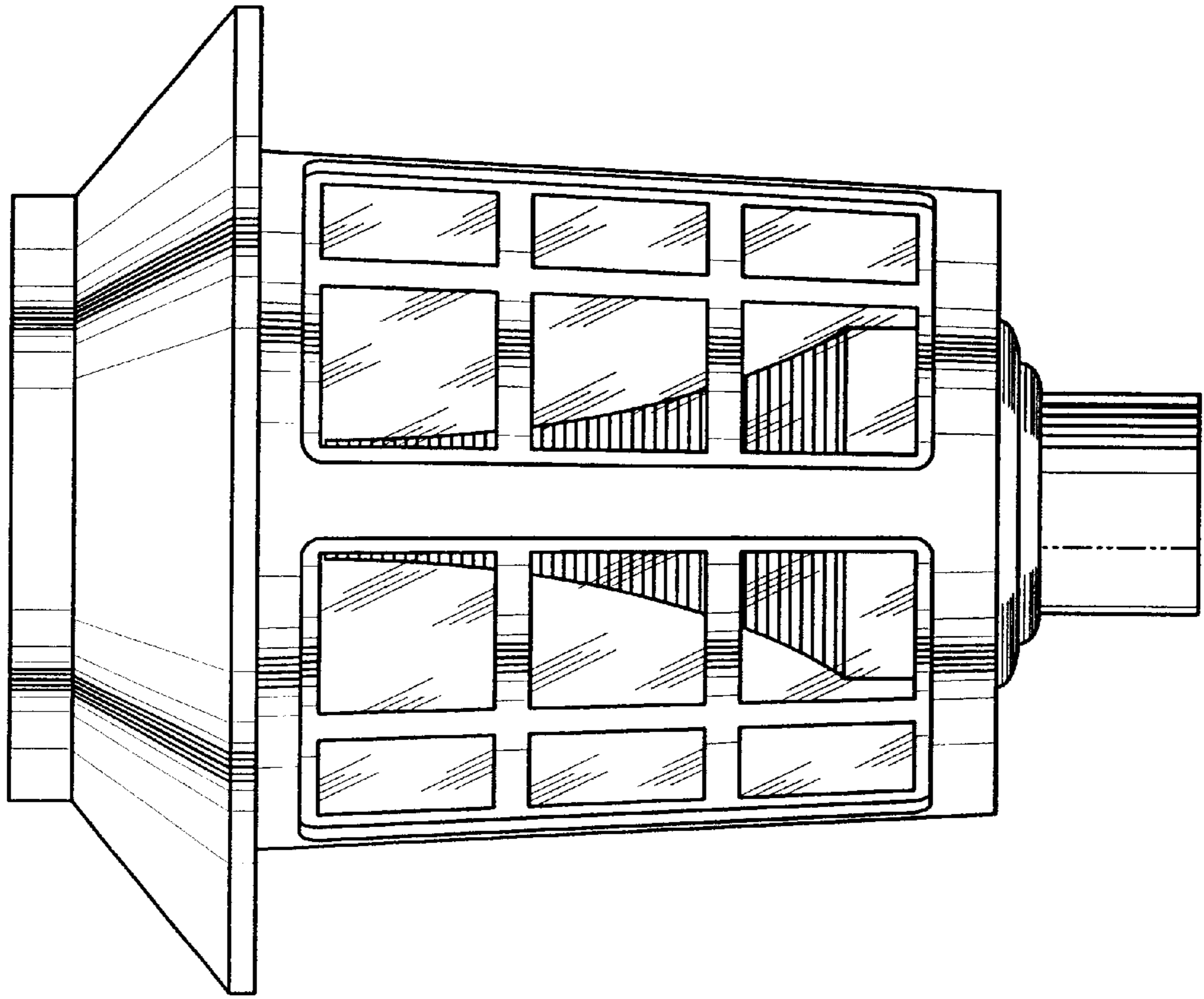


Fig. 10

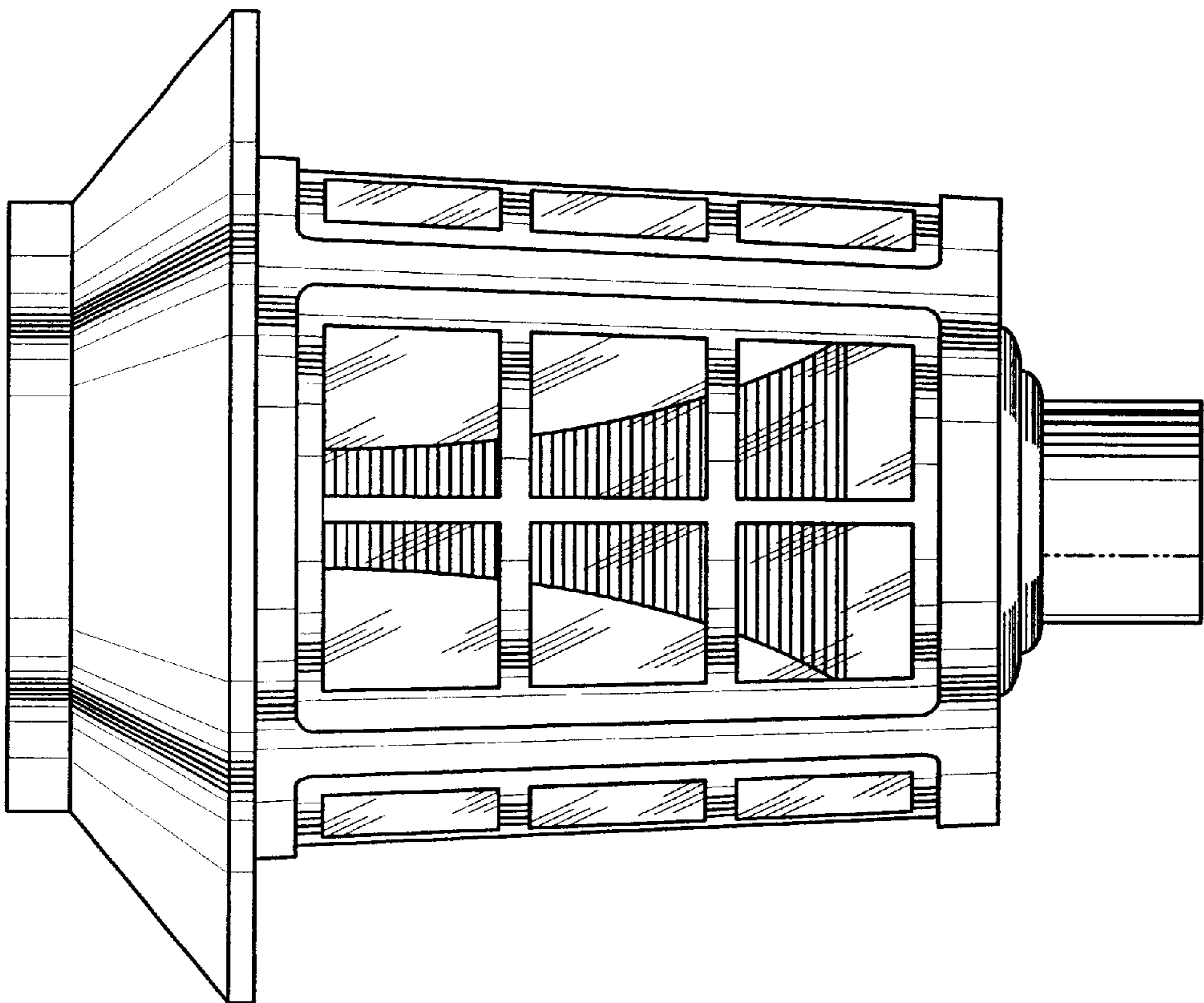


Fig. 9