



US00D488575S

(12) **United States Design Patent**  
**Aguilera**

(10) **Patent No.:** **US D488,575 S**

(45) **Date of Patent:** **\*\* Apr. 13, 2004**

(54) **PORTABLE FIRE HYDRANT LANTERN AND NIGHTLIGHT**

(76) Inventor: **Carlos Aguilera**, P.O. Box 226,  
Madera, CA (US) 93639

(\*\*) Term: **14 Years**

(21) Appl. No.: **29/171,018**

(22) Filed: **Nov. 15, 2002**

(51) **LOC (7) Cl.** ..... **26-02**

(52) **U.S. Cl.** ..... **D26/40**

(58) **Field of Search** ..... D26/37-50; 362/157,  
362/158, 171-174, 183-208

(56) **References Cited**

**U.S. PATENT DOCUMENTS**

4,286,310 A	8/1981	Brainkel et al.	
4,298,915 A	11/1981	Goldfarb et al.	
D328,620 S	8/1992	Maple	
5,379,200 A	1/1995	Echard	
6,040,780 A	3/2000	Lucas	
D429,832 S	* 8/2000	Poon	D26/40
D450,867 S	11/2001	Long et al.	
D468,039 S	* 12/2002	Poon	D26/40
D474,553 S	* 5/2003	Poon	D26/40
D483,507 S	* 12/2003	Krieger et al.	D26/40

\* cited by examiner

*Primary Examiner*—Marcus A. Jackson  
(74) *Attorney, Agent, or Firm*—Mark D. Miller

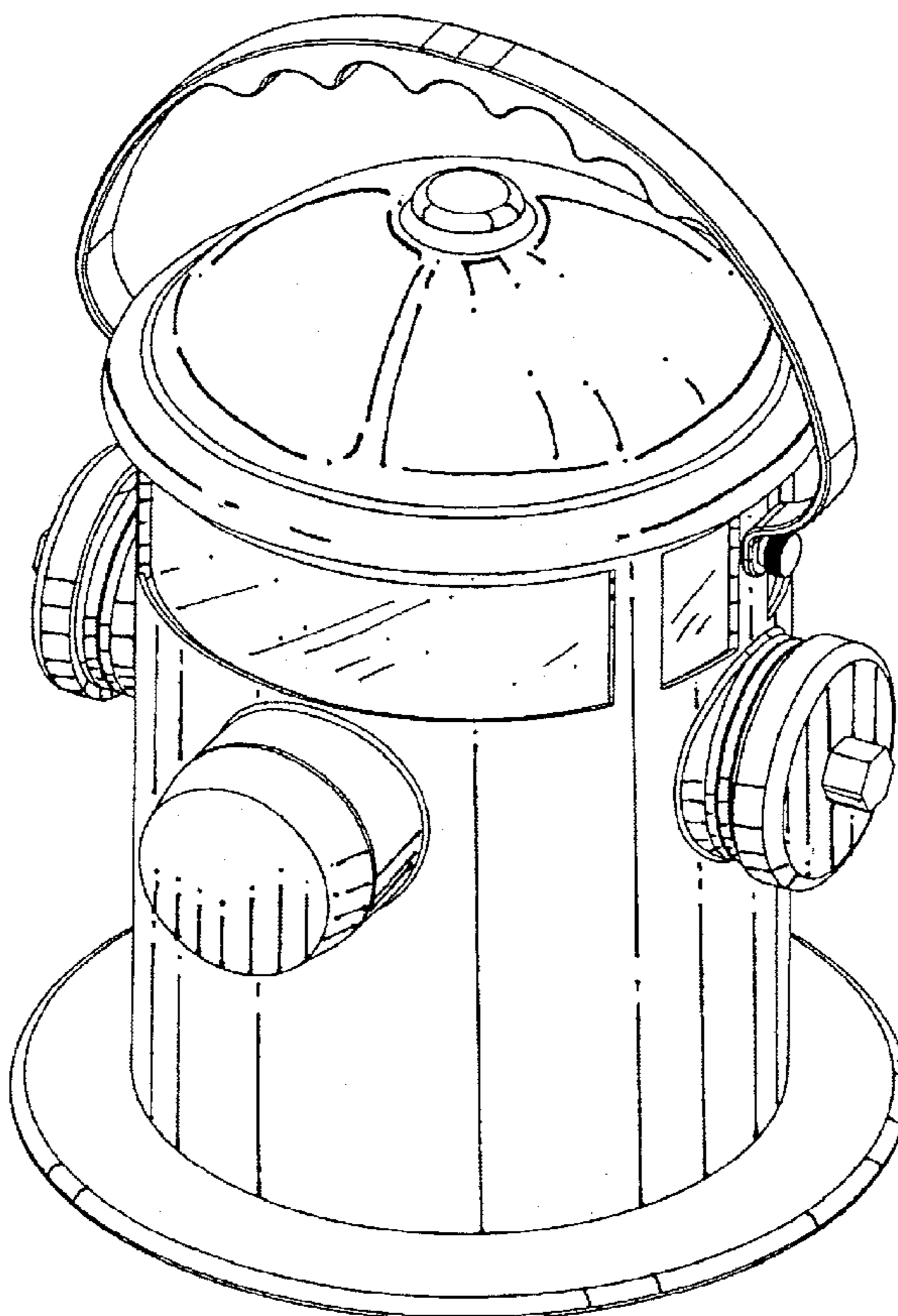
(57) **CLAIM**

I claim the ornamental design for a portable fire hydrant lantern and nightlight, as shown.

**DESCRIPTION**

FIG. 1 is a front perspective view of the portable fire hydrant lantern and nightlight showing my new design;  
 FIG. 2 is a top plan view thereof;  
 FIG. 3 is a bottom plan view thereof;  
 FIG. 4 is a front elevational view thereof;  
 FIG. 5 is a left side elevational view thereof;  
 FIG. 6 is a right side elevational view thereof;  
 FIG. 7 is a rear elevational view thereof;  
 FIG. 8 is a front perspective view of a second embodiment thereof;  
 FIG. 9 is a top plan view of the embodiment of FIG. 8;  
 FIG. 10 is a bottom plan view of the embodiment of FIG. 8;  
 FIG. 11 is a front elevational view of the embodiment of FIG. 8;  
 FIG. 12 is a left side elevational view of the embodiment of FIG. 8;  
 FIG. 13 is a right side elevational view of the embodiment of FIG. 8; and,  
 FIG. 14 is a rear elevational view of the embodiment of FIG. 8.

**1 Claim, 14 Drawing Sheets**



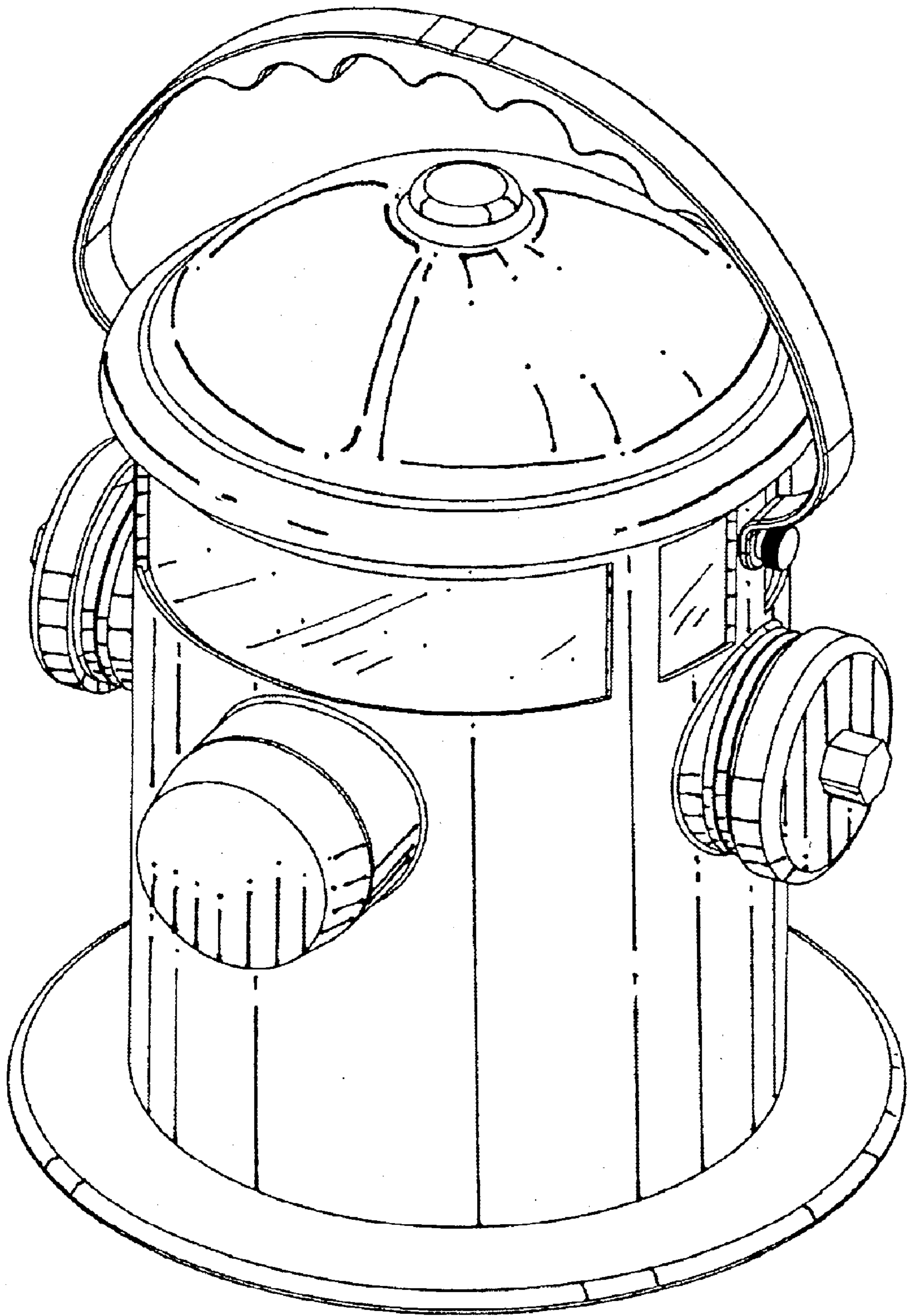


Fig. 1

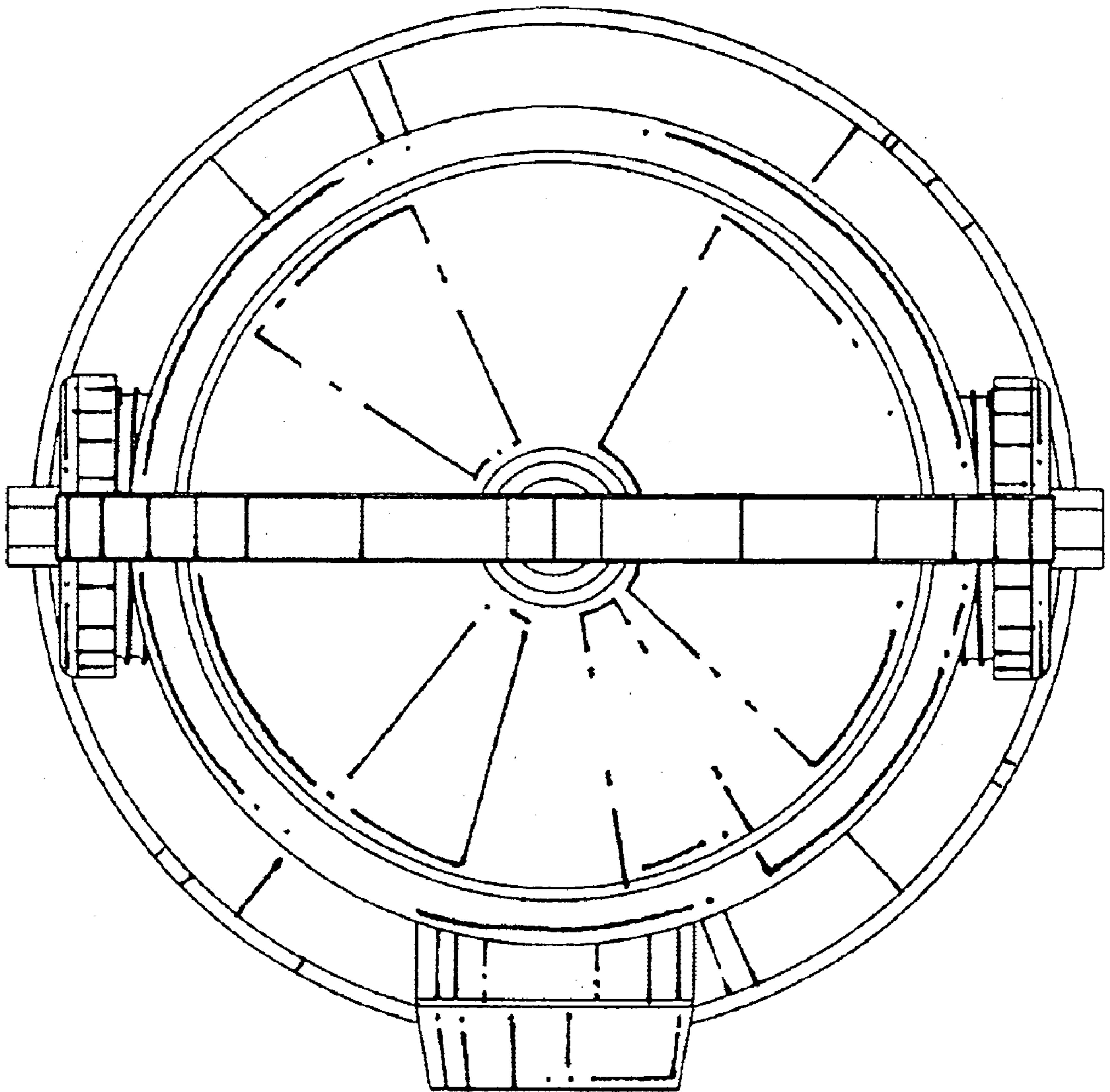


Fig. 2

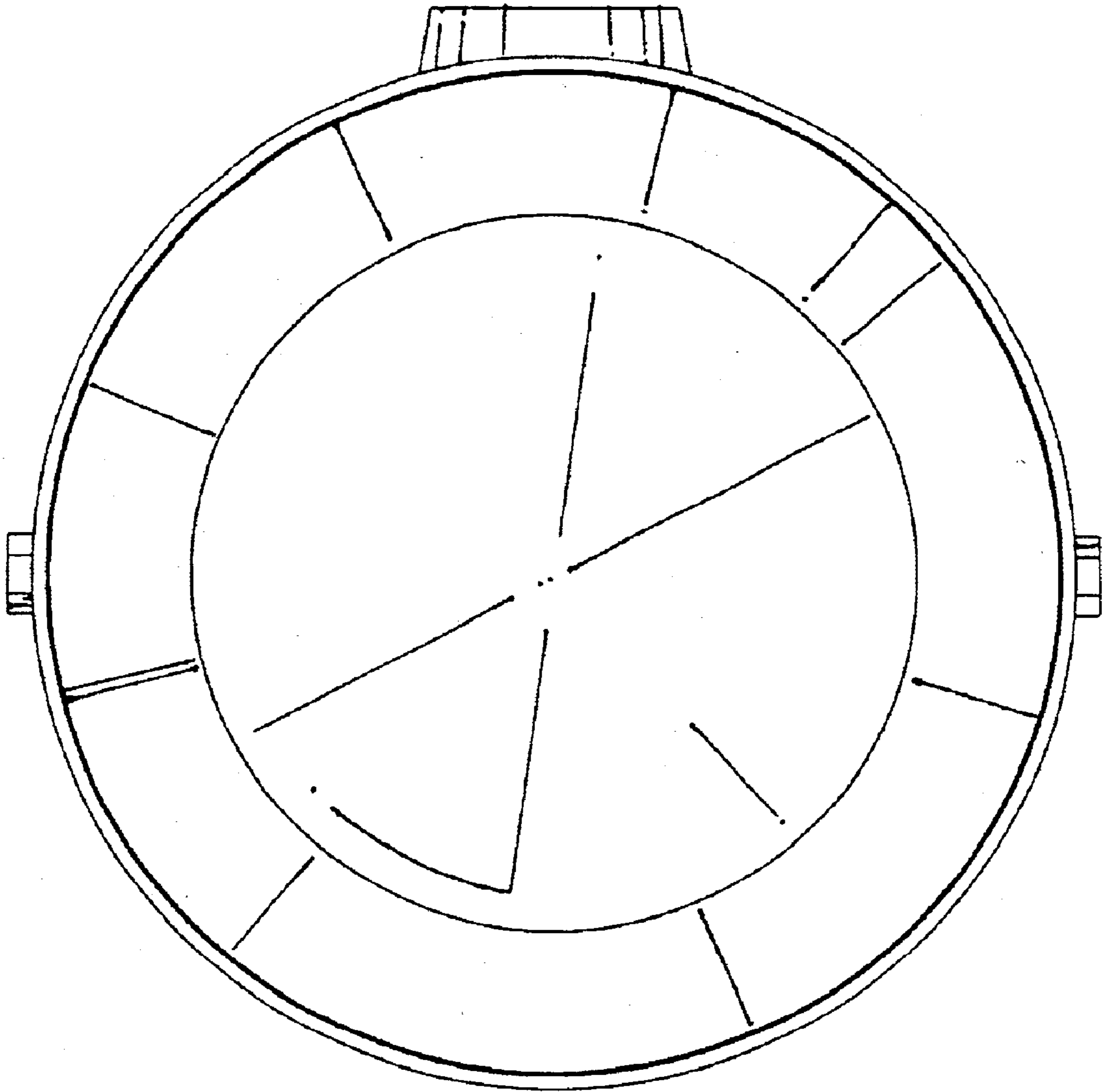


Fig. 3

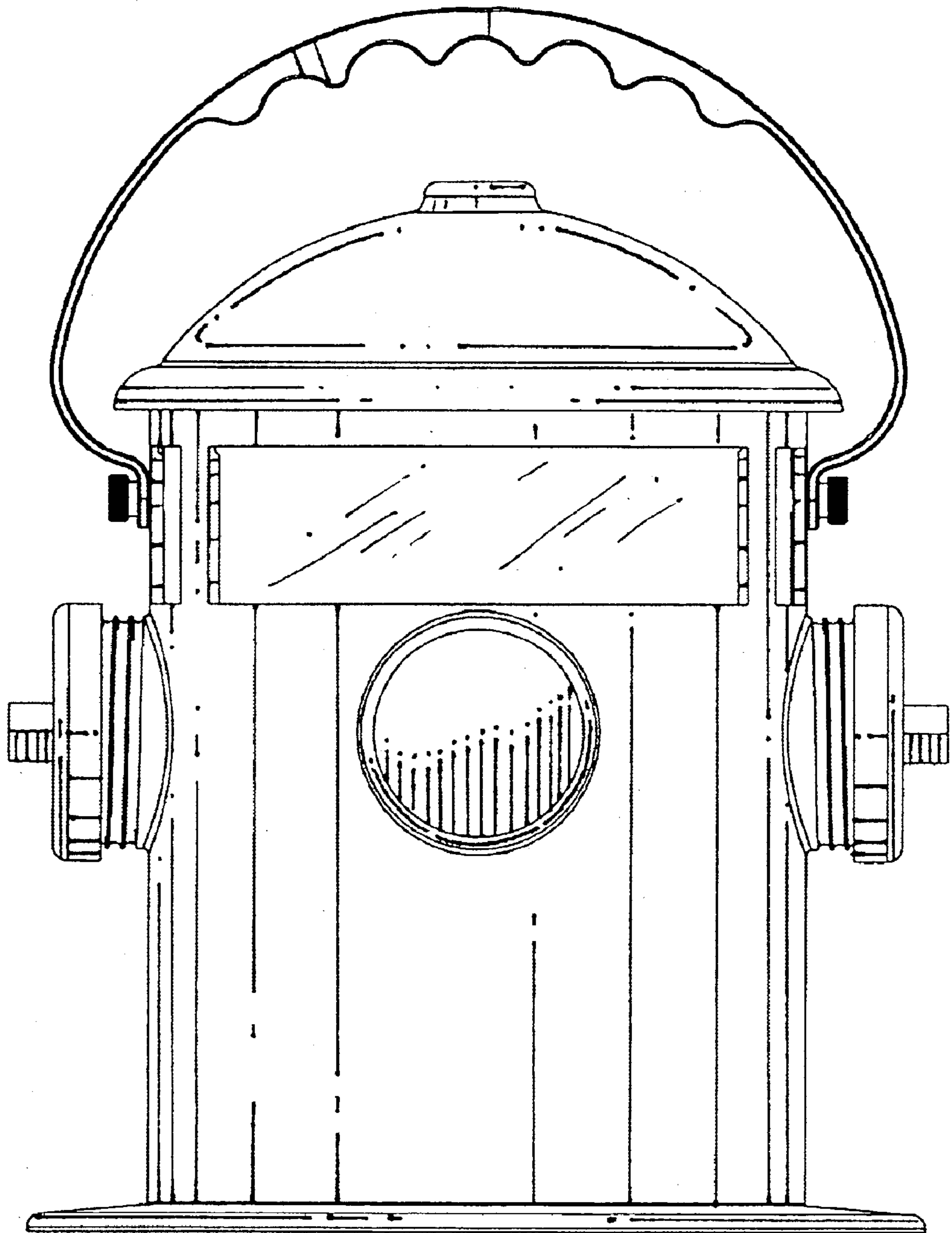


Fig. 4

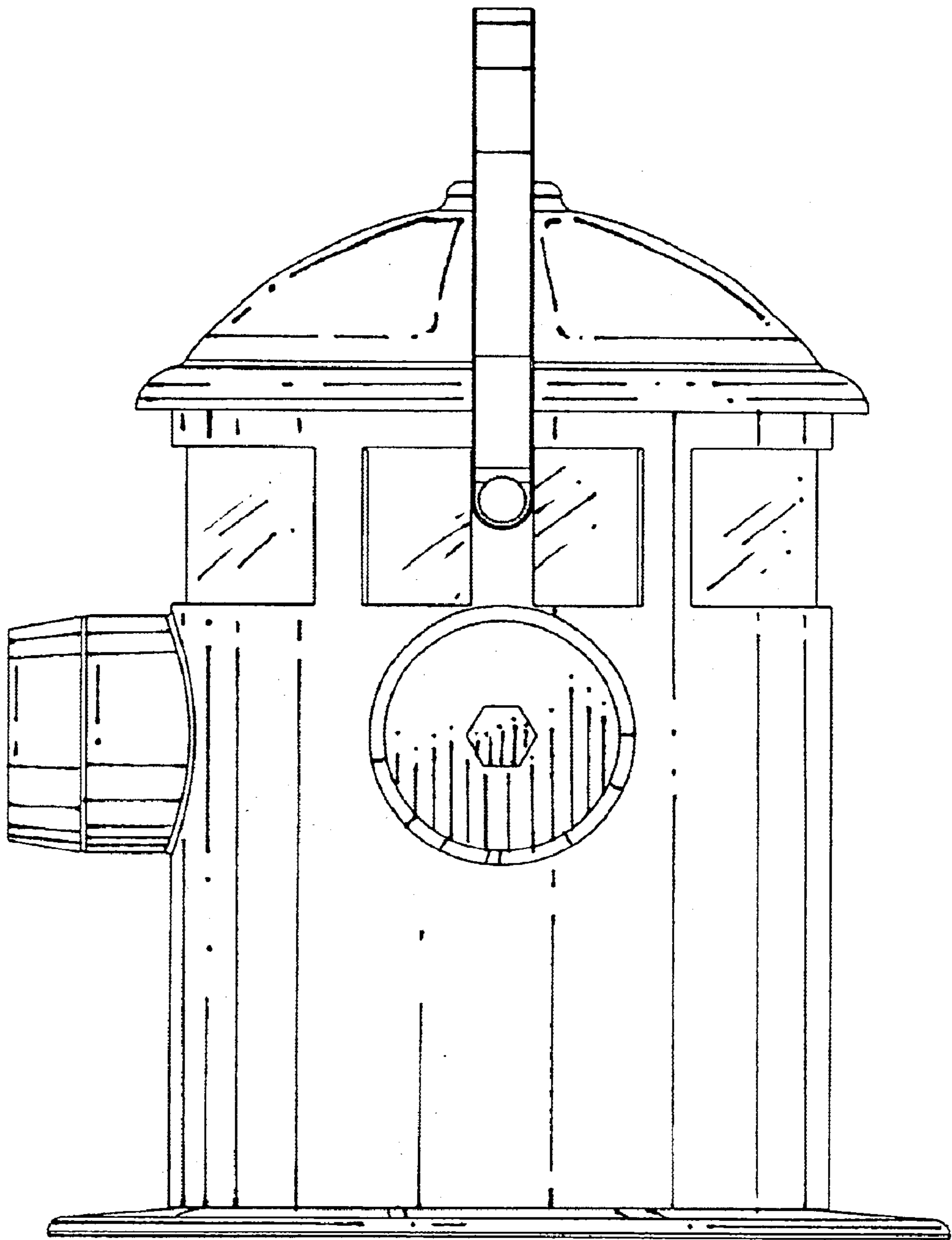


Fig. 5

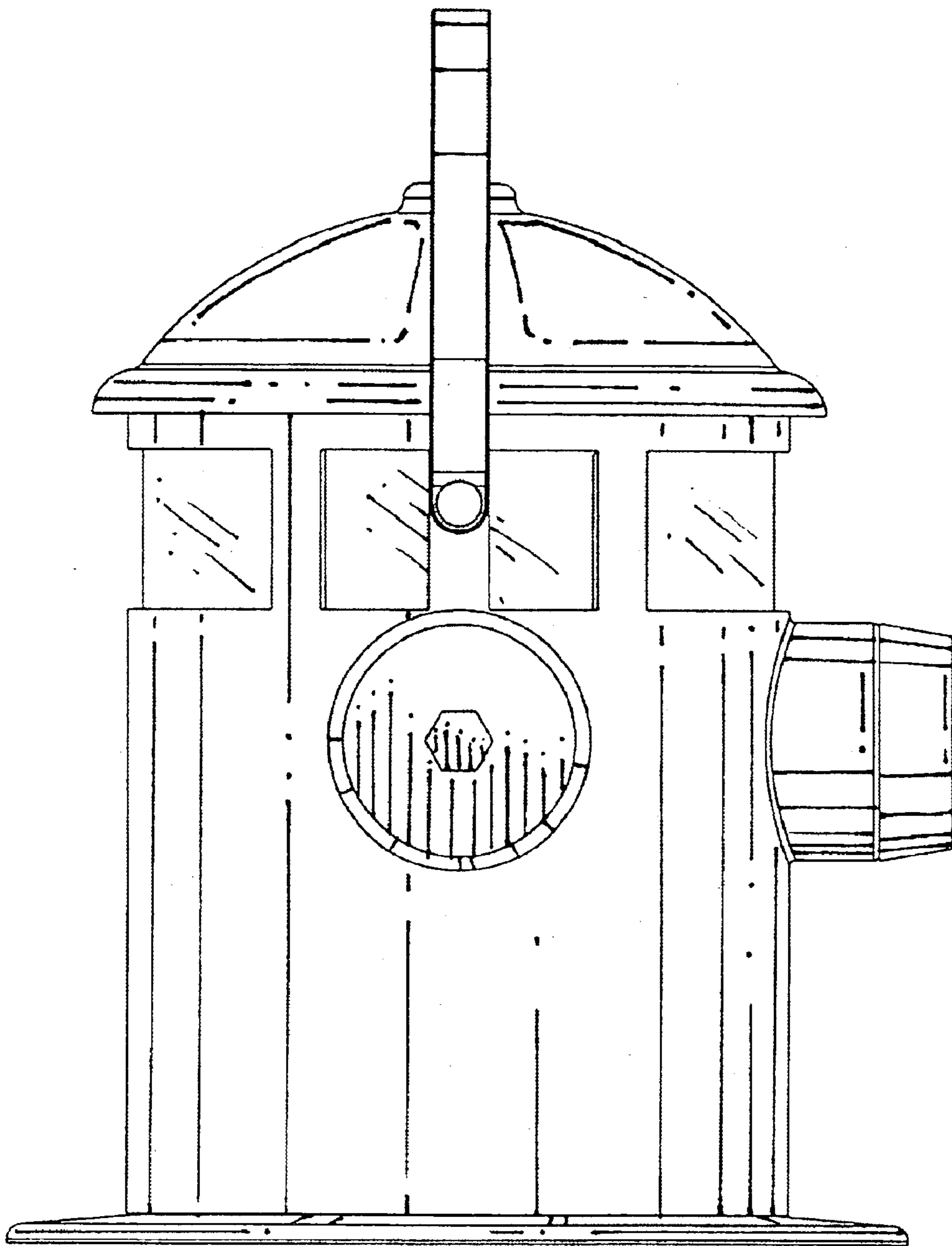


Fig. 6

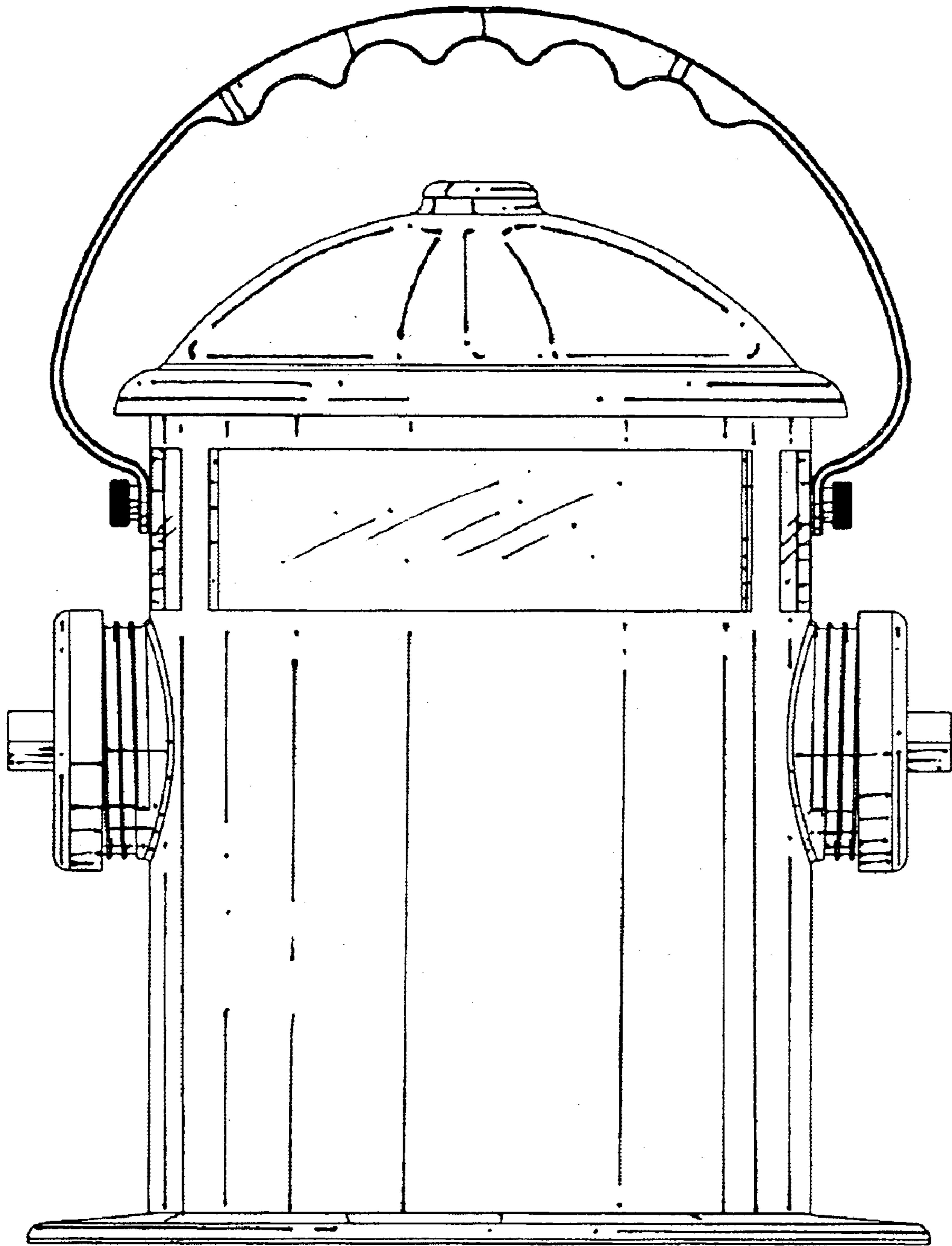


Fig. 7



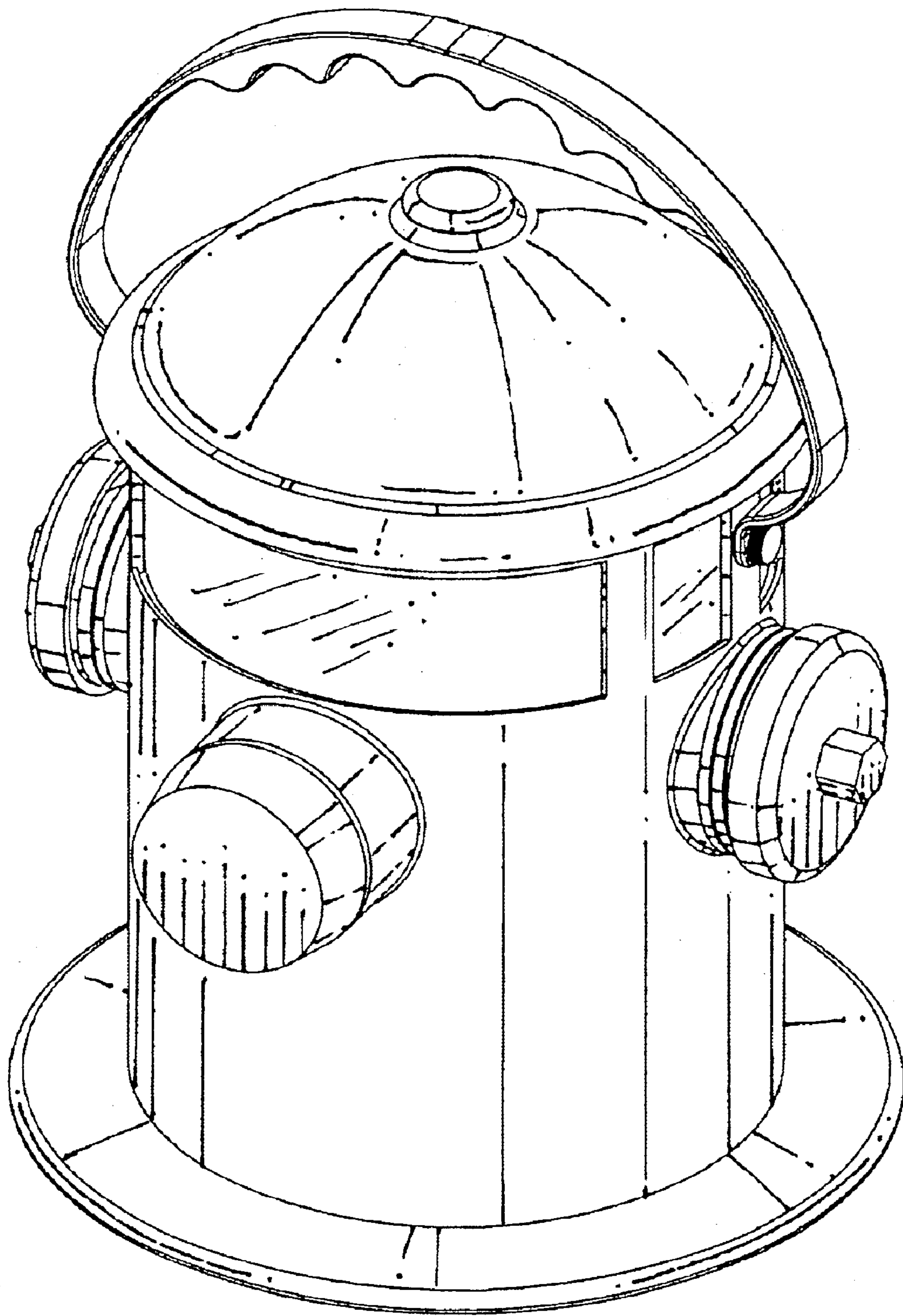


Fig. 8

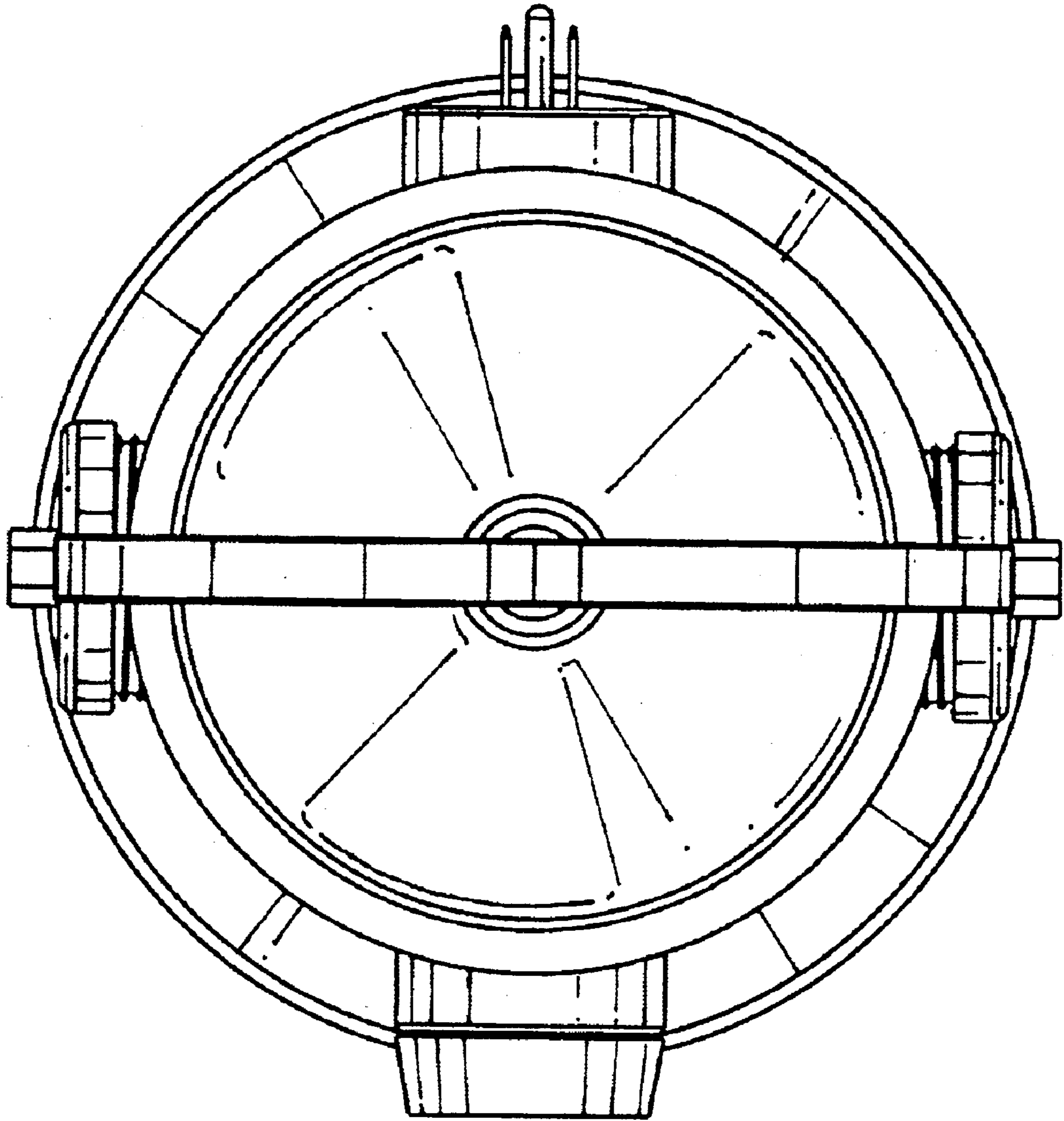


Fig. 9

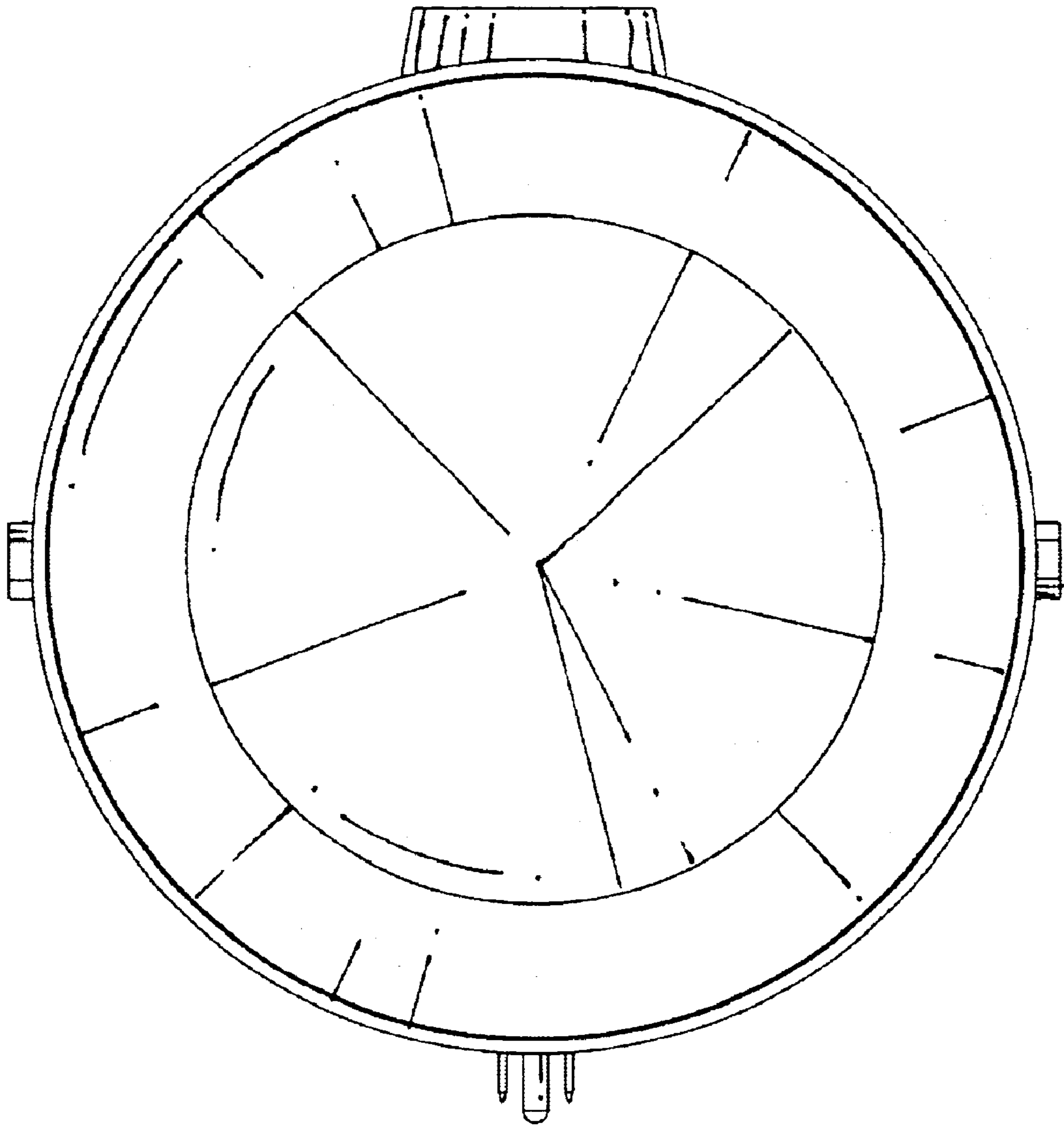


Fig. 10

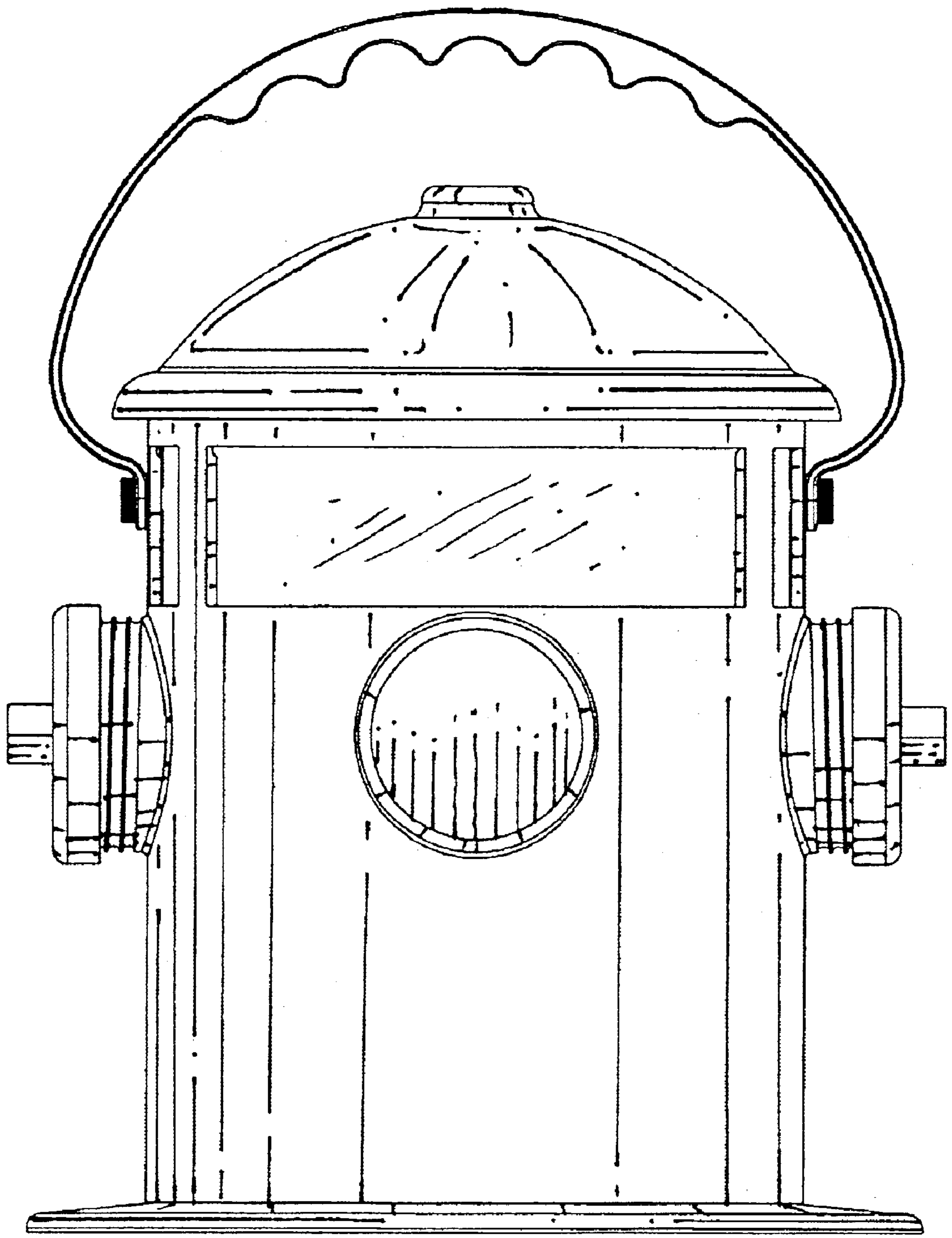


Fig. 11

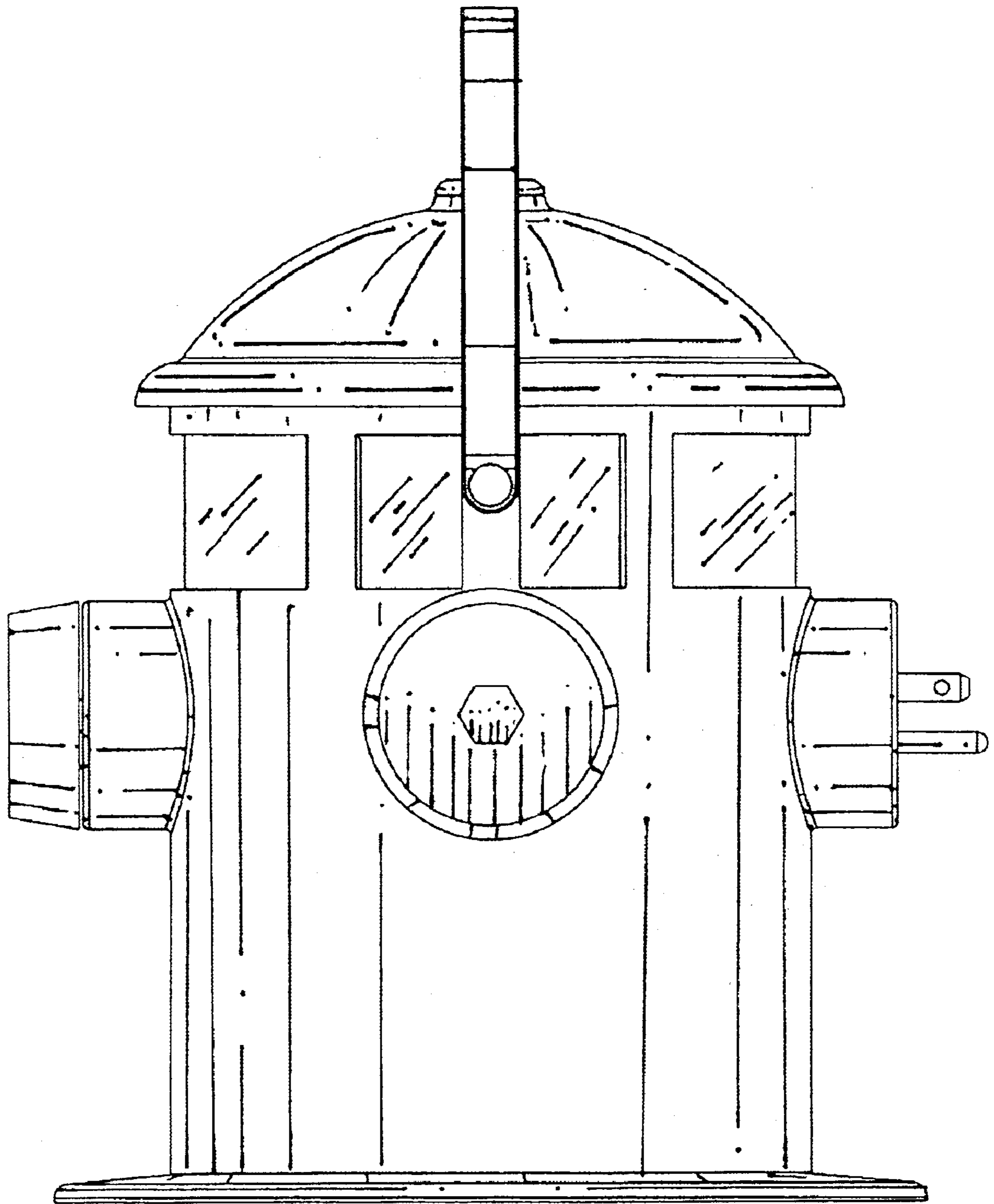


Fig. 12

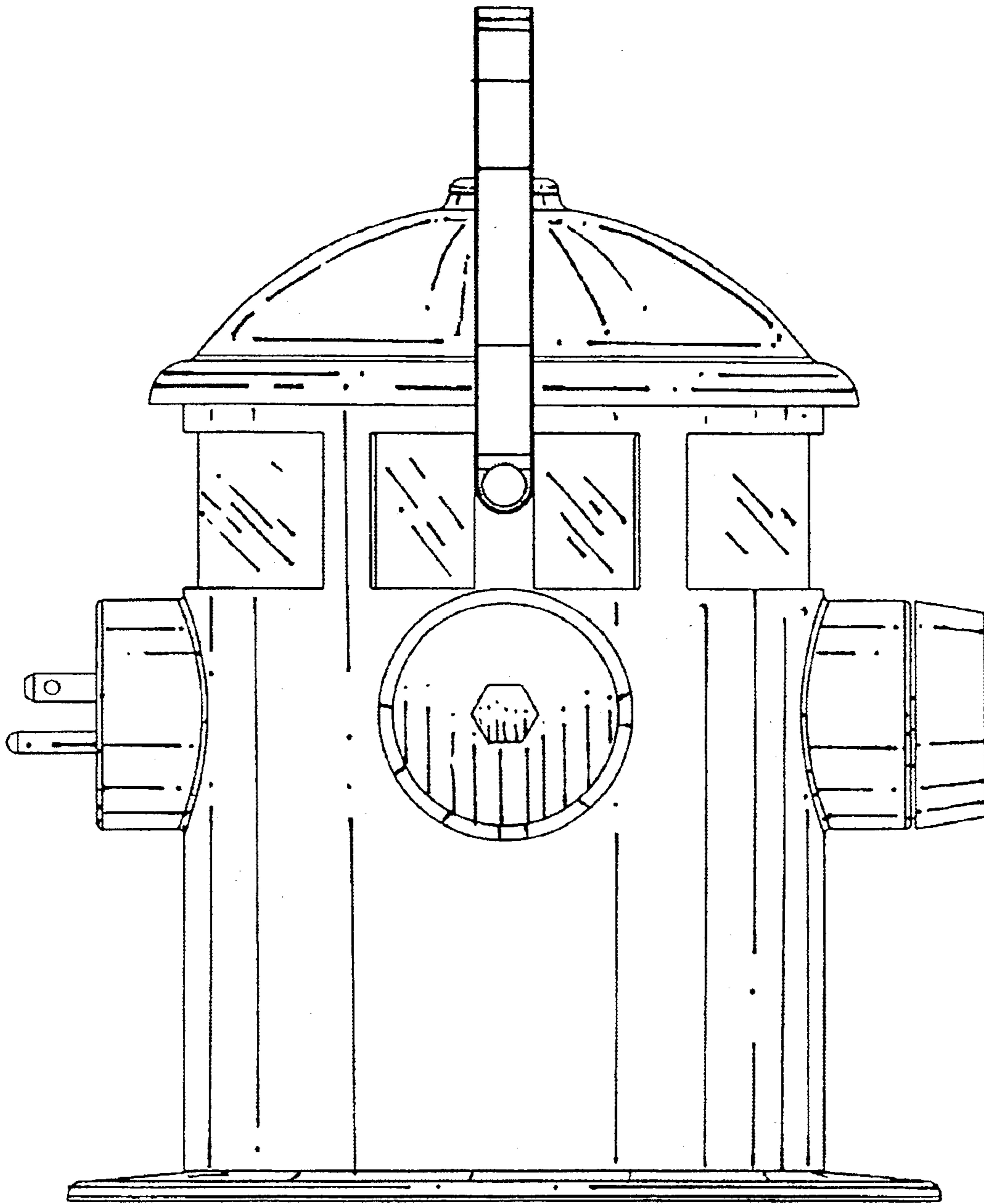


Fig. 13

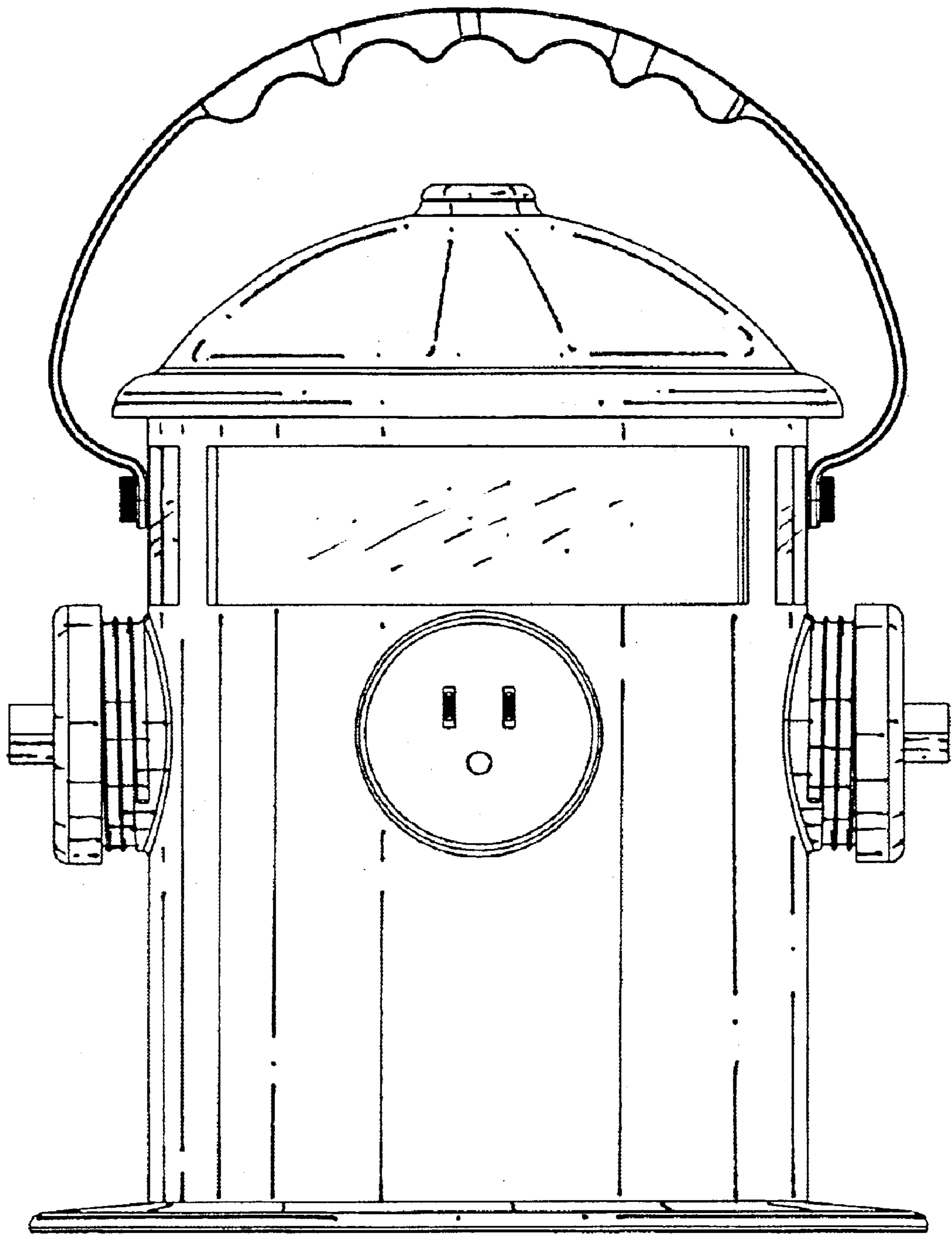


Fig. 14