



US00D488572S

(12) **United States Design Patent**  
**Warren**

(10) **Patent No.:** **US D488,572 S**

(45) **Date of Patent:** **\*\* Apr. 13, 2004**

(54) **LIGHT PANEL FOR TRUCK CAB AND SLEEPER**

(76) **Inventor:** **David Warren**, 1219 S. Meadow St.,  
Richmond, VA (US) 23220

(\*\*) **Term:** **14 Years**

(21) **Appl. No.:** **29/147,650**

(22) **Filed:** **Sep. 5, 2001**

(51) **LOC (7) Cl.** ..... **26-06**

(52) **U.S. Cl.** ..... **D26/28; D12/96**

(58) **Field of Search** ..... **D12/96, 97; D26/28,**  
**D26/34, 138, 36, 155, 139; 362/147, 240,**  
**235, 236, 239, 301, 306, 307-311, 325,**  
**362, 375**

(56) **References Cited**

**U.S. PATENT DOCUMENTS**

D378,433 S	*	3/1997	Jeffries	.....	D26/28
D415,296 S	*	10/1999	Gavin	.....	D26/28
D439,183 S	*	3/2001	Diller, Jr.	.....	D26/28
D445,517 S	*	7/2001	McGill et al.	.....	D26/28

\* cited by examiner

*Primary Examiner*—Melody N. Brown

(74) *Attorney, Agent, or Firm*—John H. Thomas, P.C.

(57) **CLAIM**

The ornamental design for a light panel for truck cab and sleeper, as shown and described.

**DESCRIPTION**

FIG. 1 is a perspective view of a light panel for truck cab and sleeper shown as it would be mounted on a sleeper cab.

FIG. 2 is a side elevation view of the light panel including apertures shown in broken lines illustrating one alternative embodiment of how lights may be fitted onto the claimed light panel.

FIG. 3 is a left elevation, side view of the light panel.

FIG. 4 is a right elevation, side view of the light panel.

FIG. 5 is top view of the light panel.

FIG. 6 is a bottom view of the light panel.

FIG. 7 is a perspective view of a portion of a truck cab and sleeper shown in broken lines and the claimed a truck cab light panel shown as it would be mounted on a truck cab.

FIG. 8 is a front elevation view of the light panel for truck cab and sleeper including apertures shown in broken lines illustrating one alternative embodiment of how lights may be fitted onto the claimed light panel.

FIG. 9 is a side elevation view of the light panel.

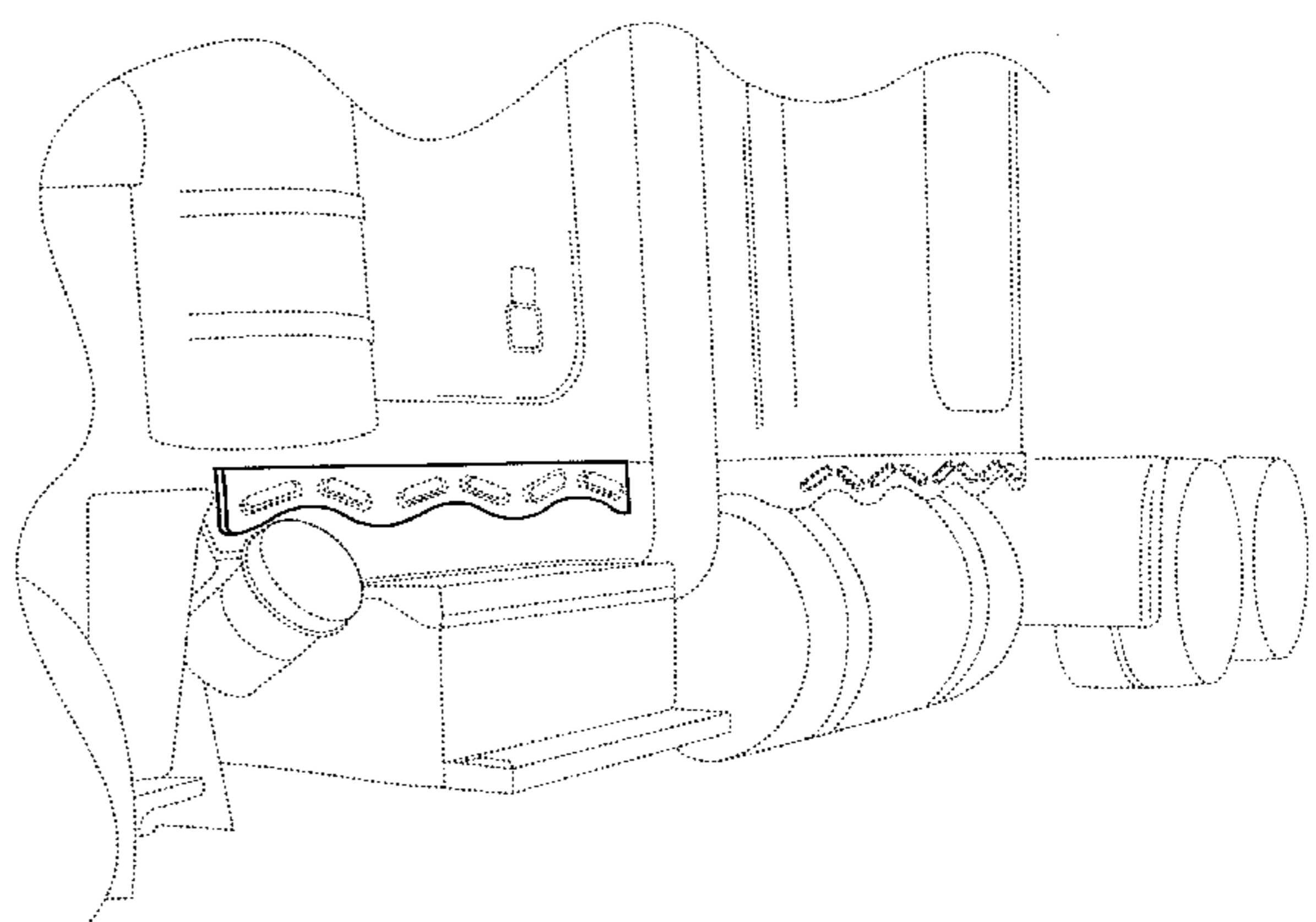
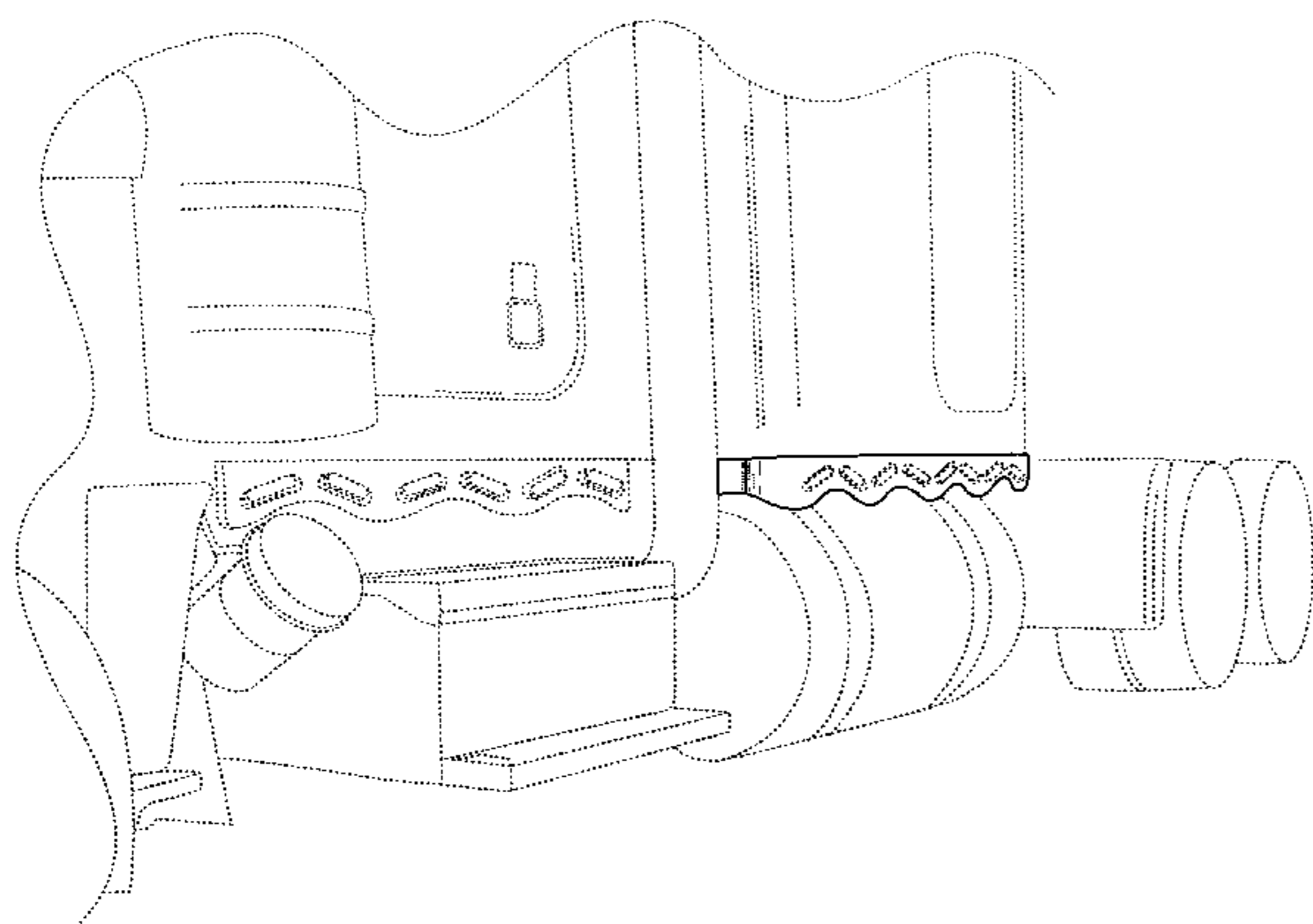
FIG. 10 is a top view of the light panel; and,

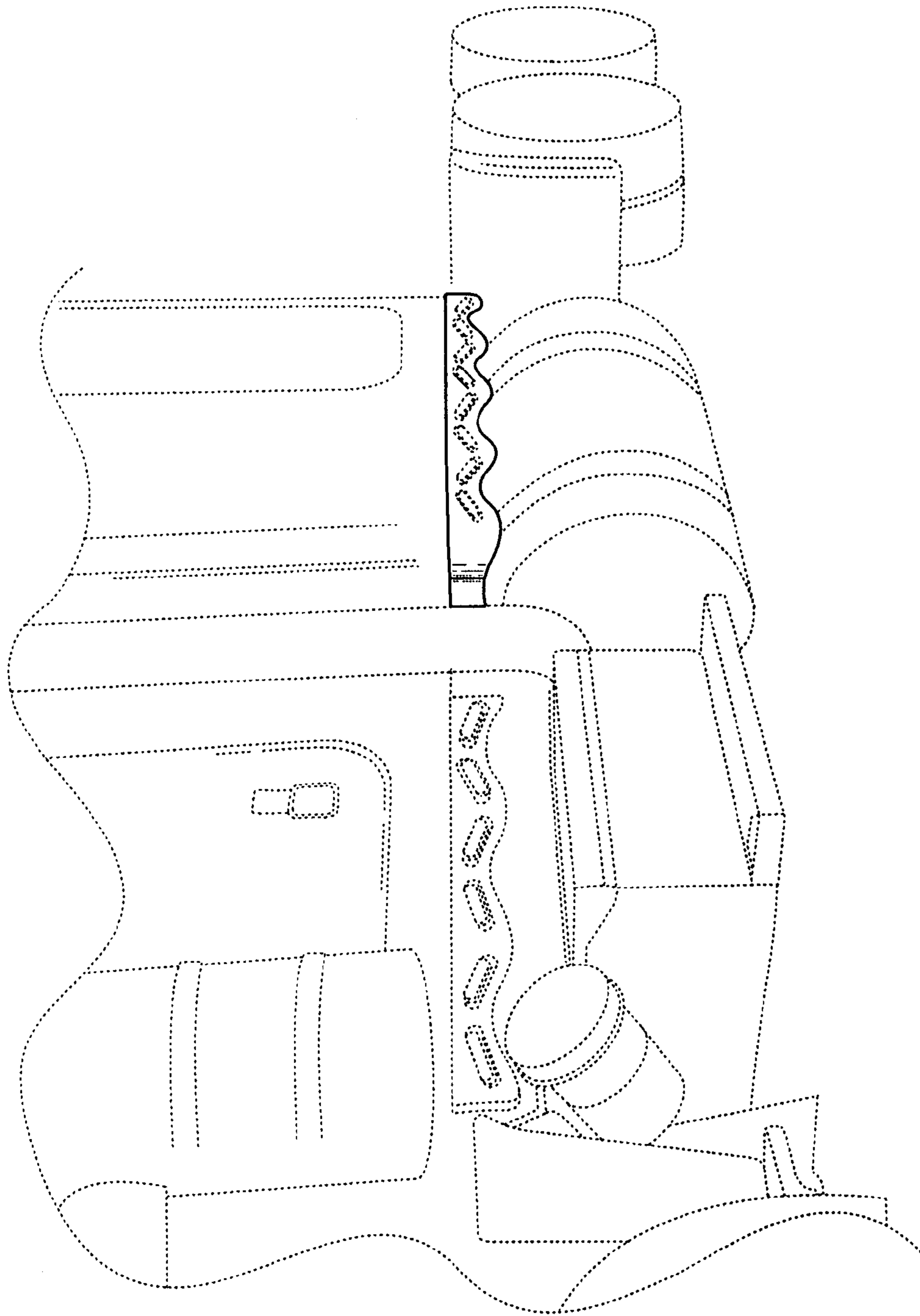
FIG. 11 is a bottom view of the light panel.

The environmental, perspective views (FIGS. 1 and 7) of the panels of the present invention display, in broken lines, an example of lights that can be mounted on the panels. The remaining FIGS. 2-6 and 8-11 display, in broken lines, the apertures into which any desired lights may be mounted. In other words, FIGS. 2-6 and 8-11 display the panels alone with no lights mounted therein.

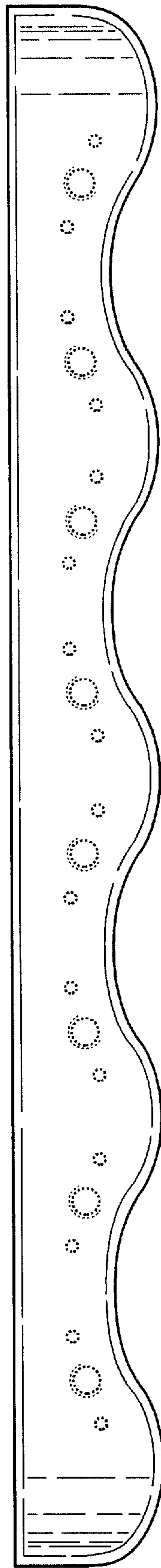
The portions of the truck cab and lights shown in broken lines are for illustrative purposes only and form no part of the claimed design.

**1 Claim, 10 Drawing Sheets**

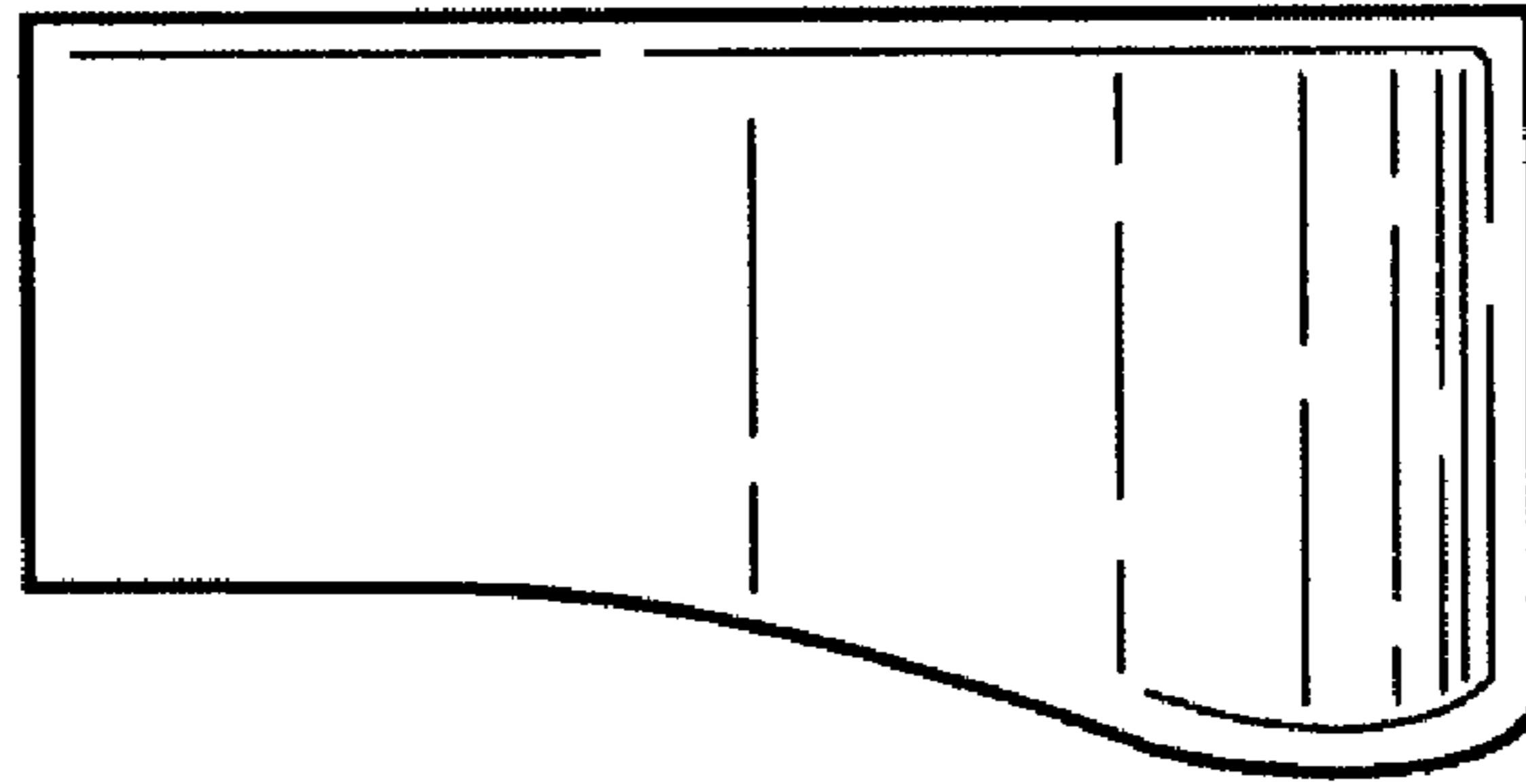




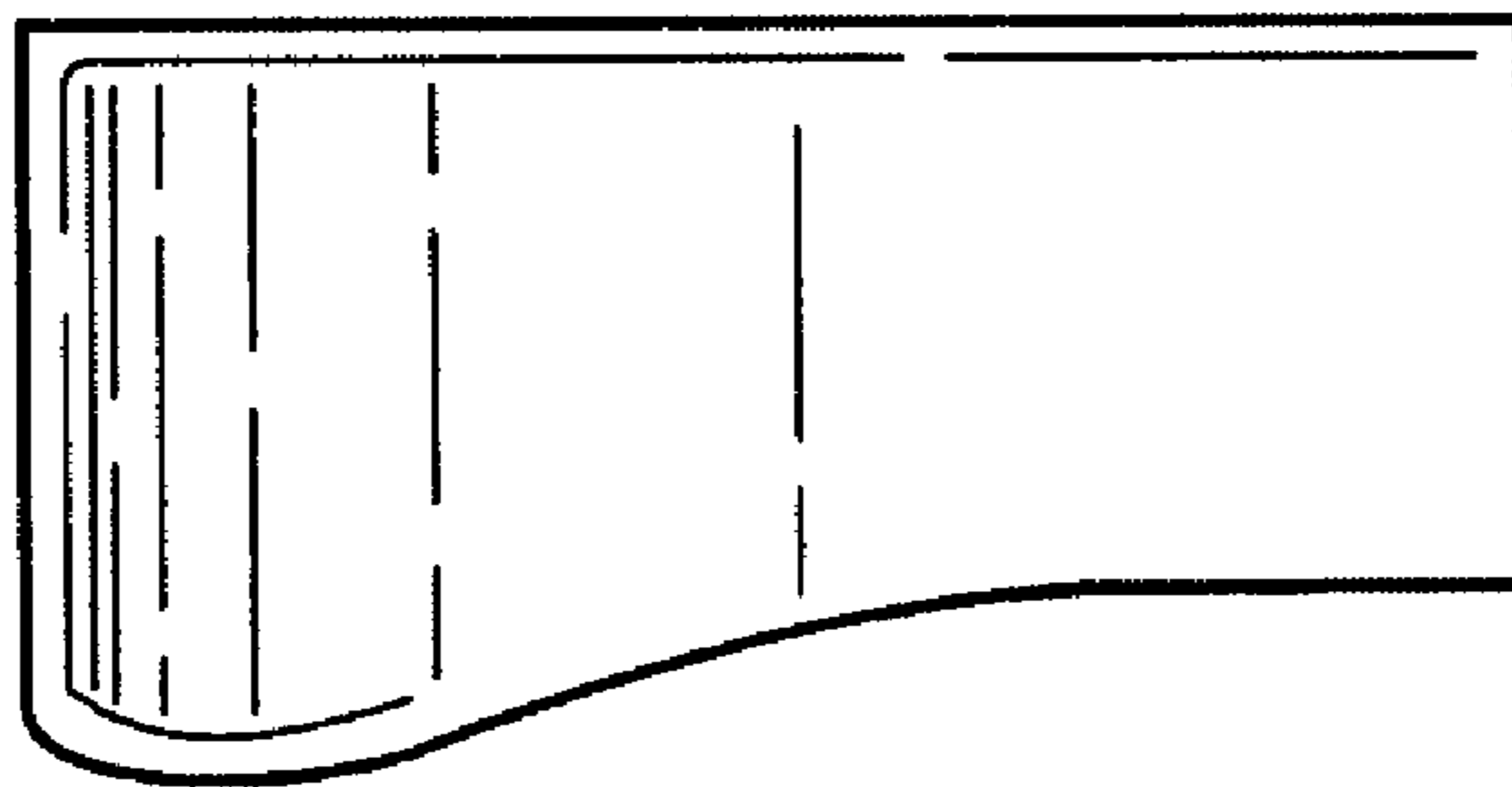
**FIG. 1**



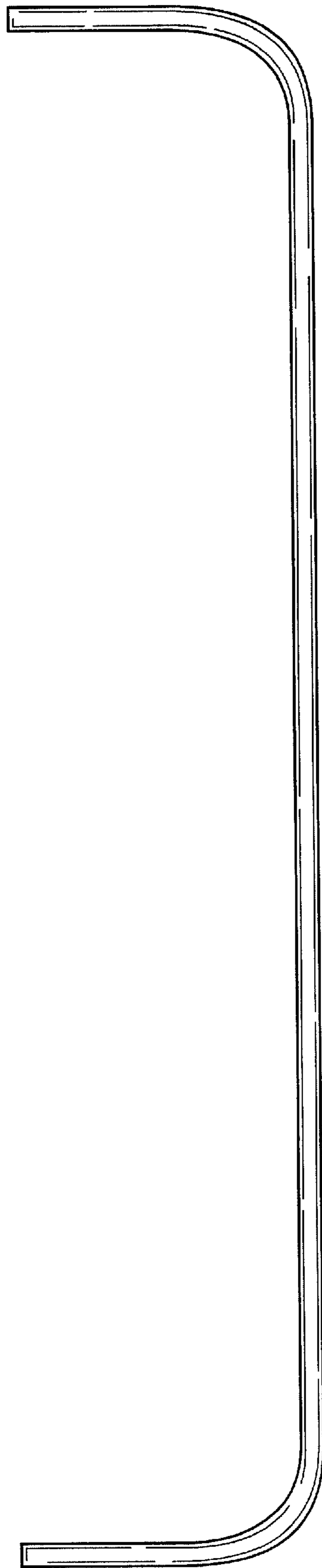
**FIG. 2**



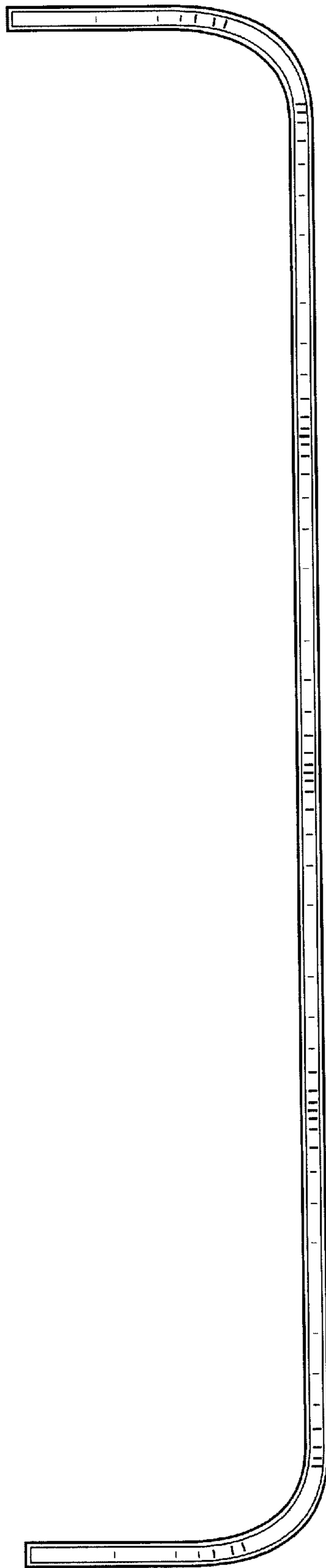
**FIG. 3**



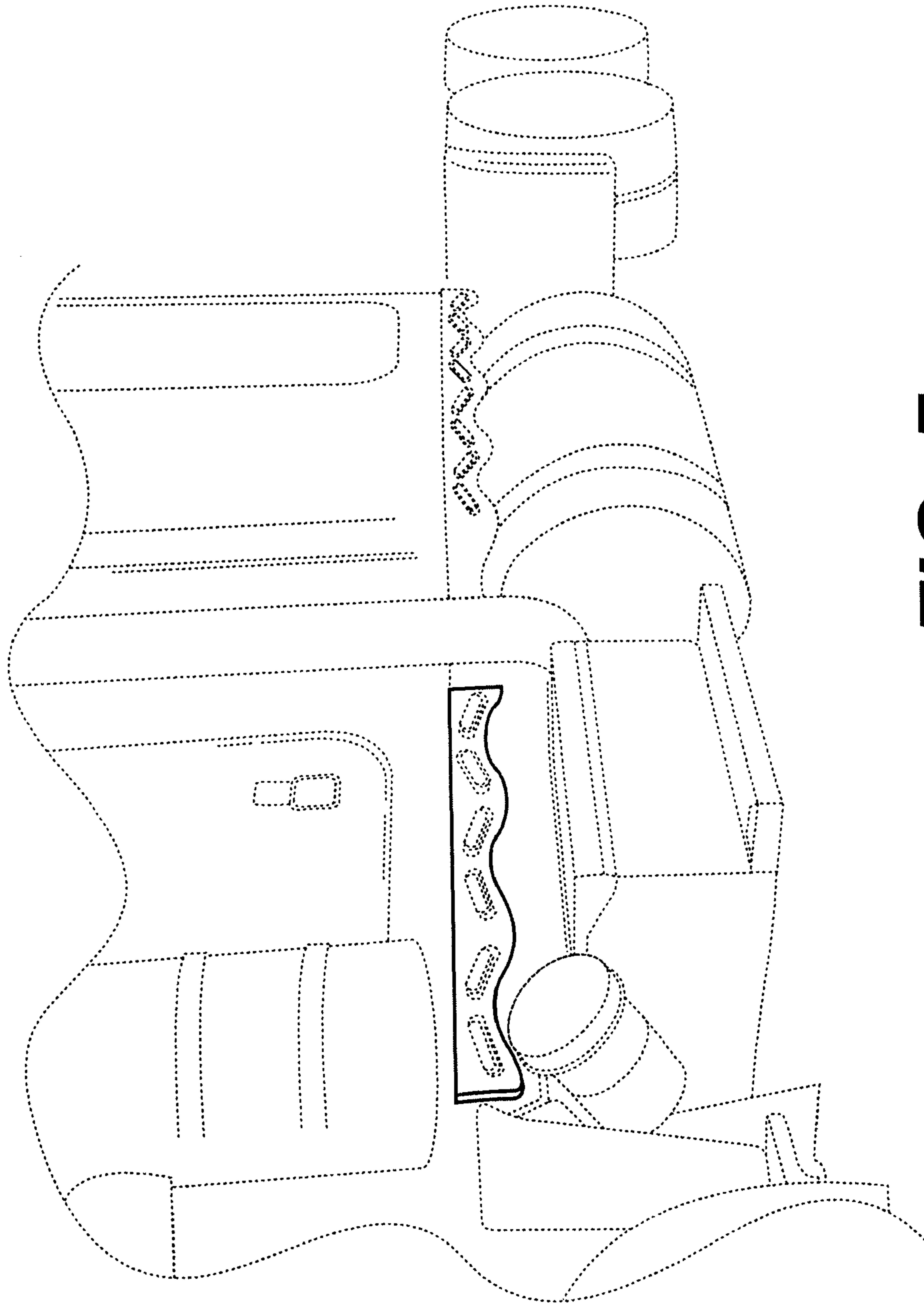
**FIG. 4**



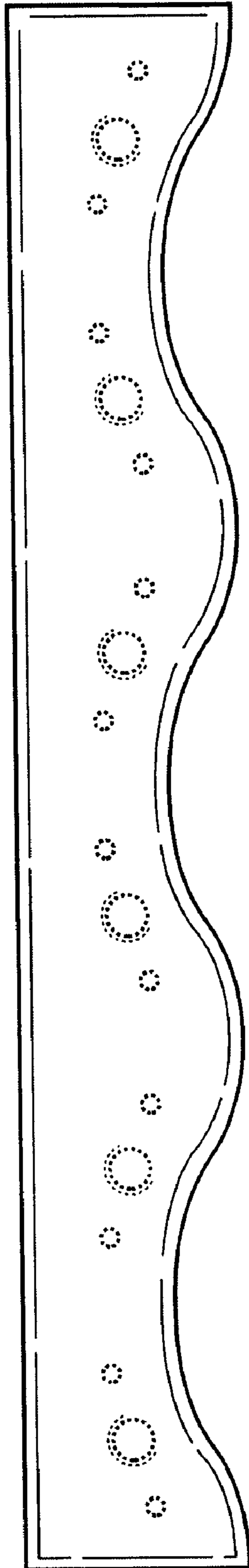
**FIG. 5**



**FIG. 6**



**FIG. 7**



**FIG. 8**





***FIG. 9***



**FIG. 10**



**FIG. 11**