



US00D488564S

(12) **United States Design Patent**
Hagen

(10) **Patent No.:** **US D488,564 S**

(45) **Date of Patent:** **** Apr. 13, 2004**

(54) **APPARATUS FOR SURFACE TREATMENT OF WOOD AND METAL ARTICLES**

DESCRIPTION

(75) Inventor: **Daniel J. Hagen**, Cottage Grove, MN (US)

(73) Assignee: **Timesavers, Inc.**, Minneapolis, MN (US)

(**) Term: **14 Years**

(21) Appl. No.: **29/179,886**

(22) Filed: **Apr. 15, 2003**

(51) **LOC (7) Cl.** **25-04**

(52) **U.S. Cl.** **D25/67**

(58) **Field of Search** D25/67; D15/124; 182/224, 181.1; 144/286.1, 286.5

(56) **References Cited**

U.S. PATENT DOCUMENTS

D212,197 S	*	9/1968	Rohde	D25/67
D229,957 S		1/1974	Schuster	D37/1 A
4,105,091 A	*	8/1978	Mahan	182/181.1
D292,099 S		9/1987	Miller	D15/124
D299,033 S		12/1988	Steele	D15/124
RE33,324 E		9/1990	Edwards	305/35 R
D328,355 S	*	7/1992	Librach	D25/67
D342,078 S		12/1993	De brey	D15/124
D349,121 S		7/1994	Holley	D15/125
5,868,185 A		2/1999	Poling	144/286.5
D433,427 S		11/2000	Donovan	D15/124
6,298,946 B1		10/2001	Yemini	182/153

* cited by examiner

Primary Examiner—Doris Clark

(74) *Attorney, Agent, or Firm*—Gray, Plant, Mooty, Mooty & Bennett, P.A.

(57) **CLAIM**

I claim the ornamental design for an apparatus for surface treatment of wood and metal articles, as shown and described.

FIG. 1 is a perspective view of a first embodiment of the invention;

FIG. 2 is a front elevation view of the embodiment illustrated in FIG. 1;

FIG. 3 is a back elevation view of the embodiment illustrated in FIG. 1;

FIG. 4 is a left side elevation view of the embodiment illustrated in FIG. 1;

FIG. 5 is a right side elevation view of the embodiment illustrated in FIG. 1;

FIG. 6 is a top plan view of the embodiment illustrated in FIG. 1;

FIG. 7 is a bottom plan view of the embodiment illustrated in FIG. 1;

FIG. 8 is a perspective view of a second embodiment of the invention;

FIG. 9 is a front elevation view of the embodiment illustrated in FIG. 8;

FIG. 10 is a back elevation view of the embodiment illustrated in FIG. 8;

FIG. 11 is a left side elevation view of the embodiment illustrated in FIG. 8;

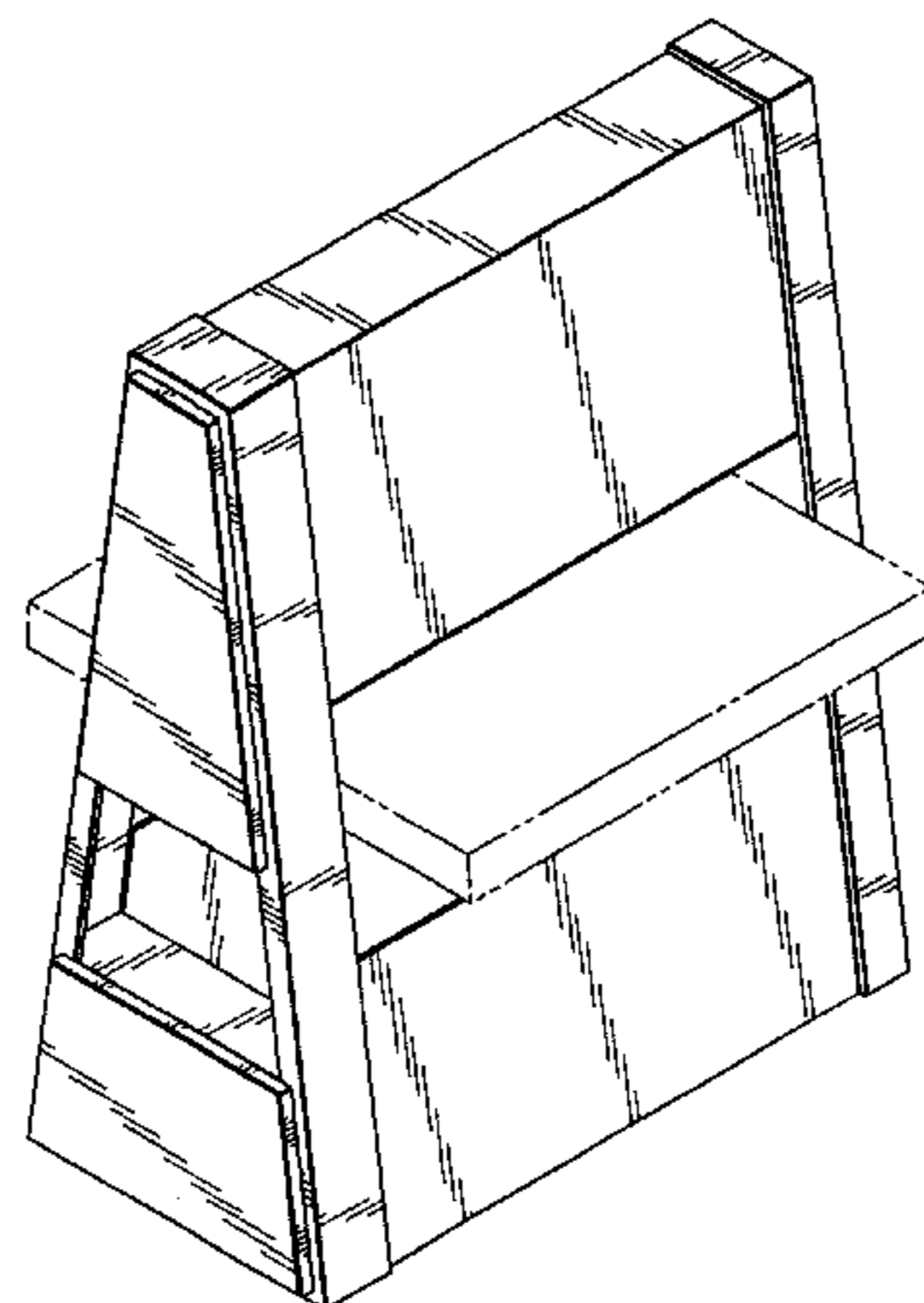
FIG. 12 is a right side elevation view of the embodiment illustrated in FIG. 8;

FIG. 13 is a top plan view of the embodiment illustrated in FIG. 8; and,

FIG. 14 is a bottom plan view of the embodiment illustrated in FIG. 8.

The shading lines are for illustrative purposes only, and form no part of the claimed design. Portions of the apparatus for surface treatment of wood and metal articles shown in dashed lines are for illustrative purposes only, and form no part of the claimed design.

1 Claim, 6 Drawing Sheets



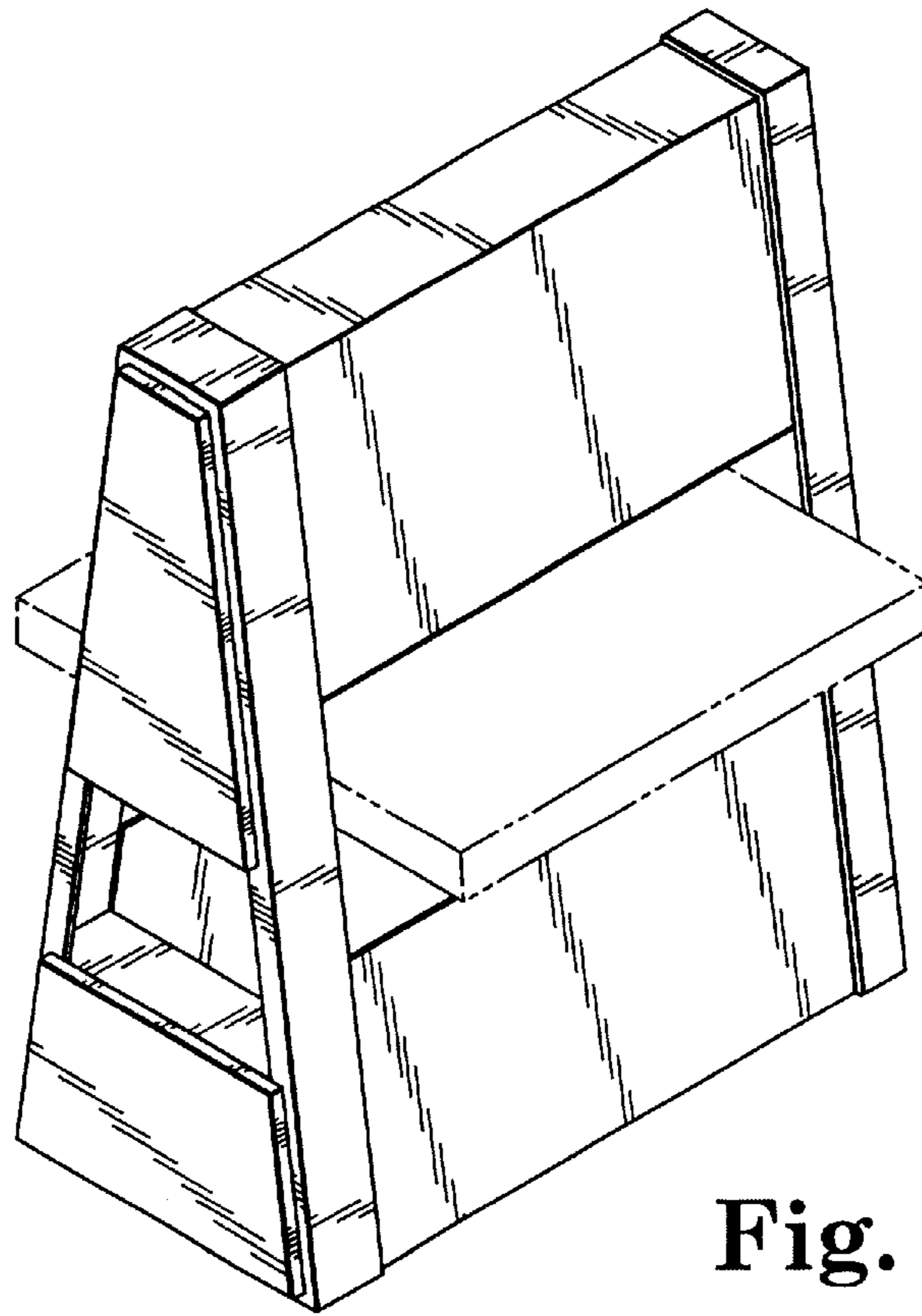


Fig. 1

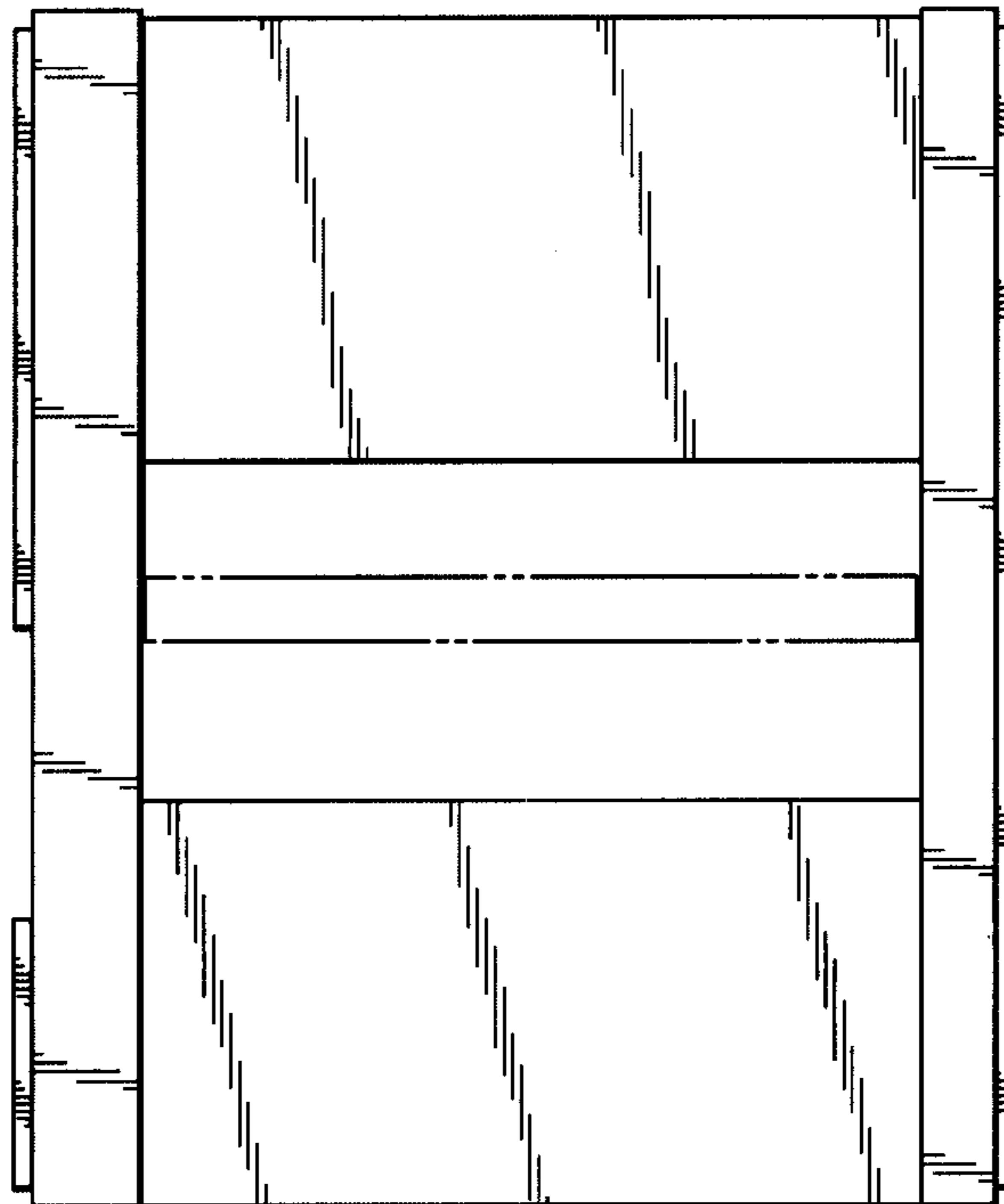


Fig. 2

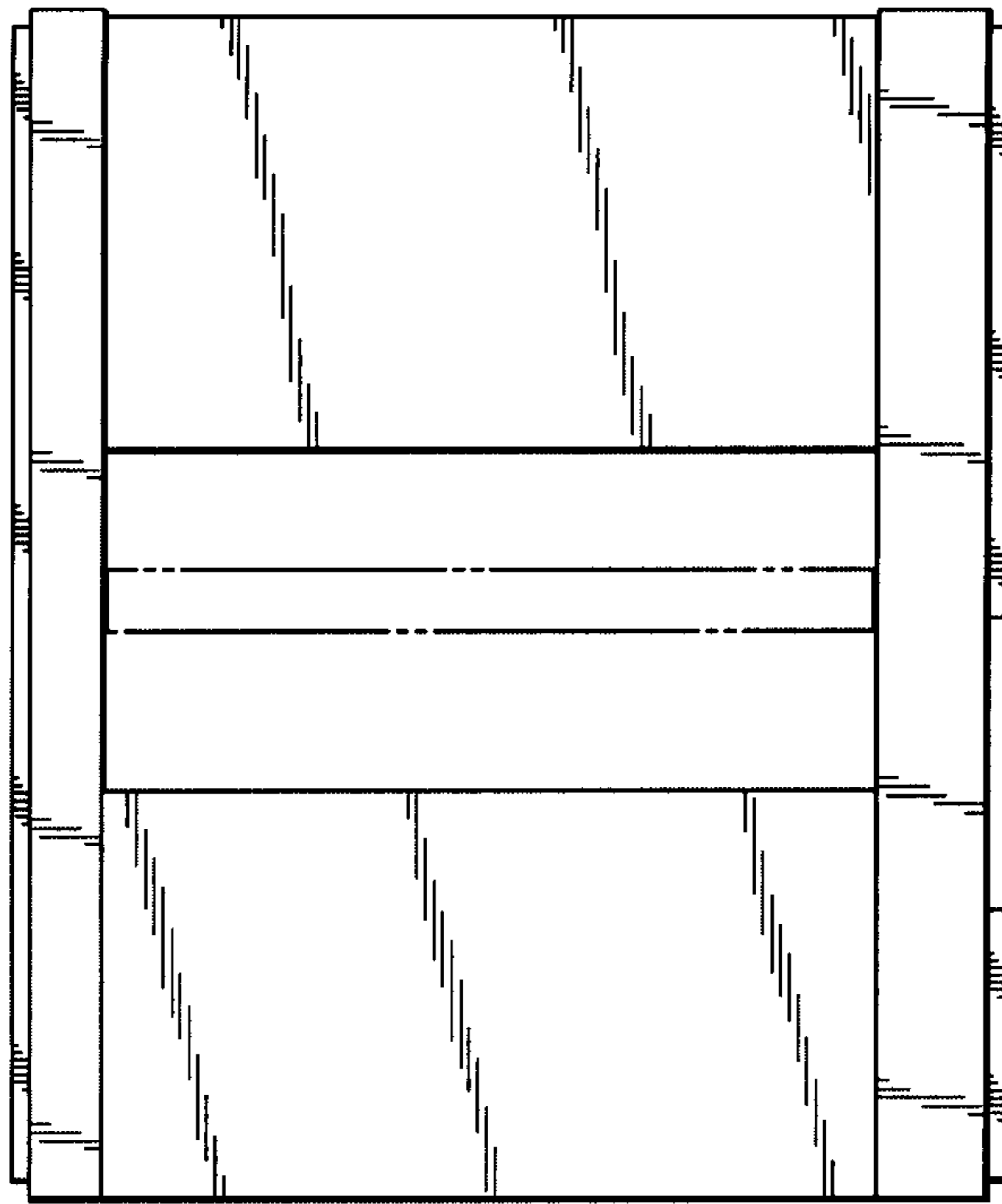


Fig. 3

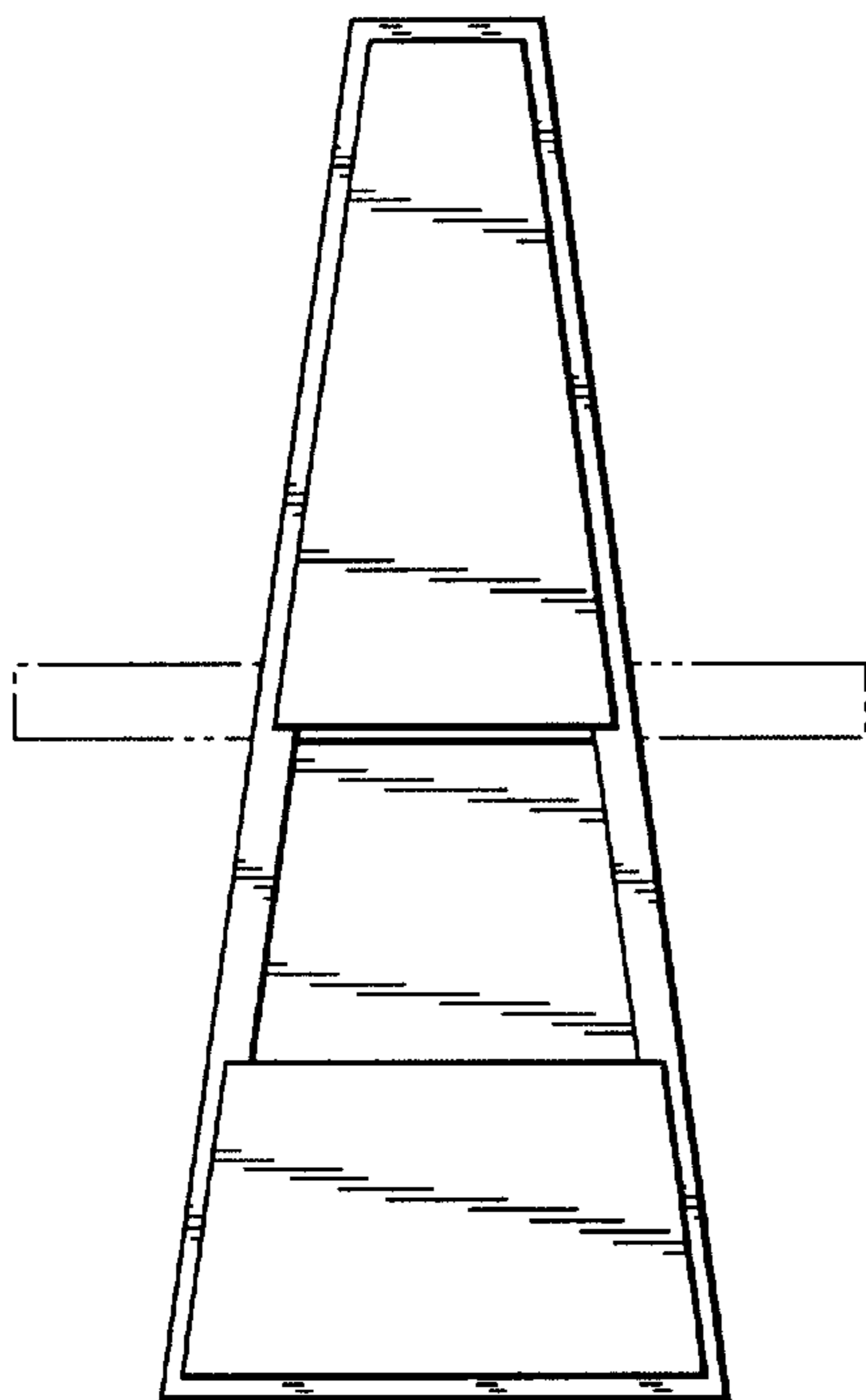


Fig. 4

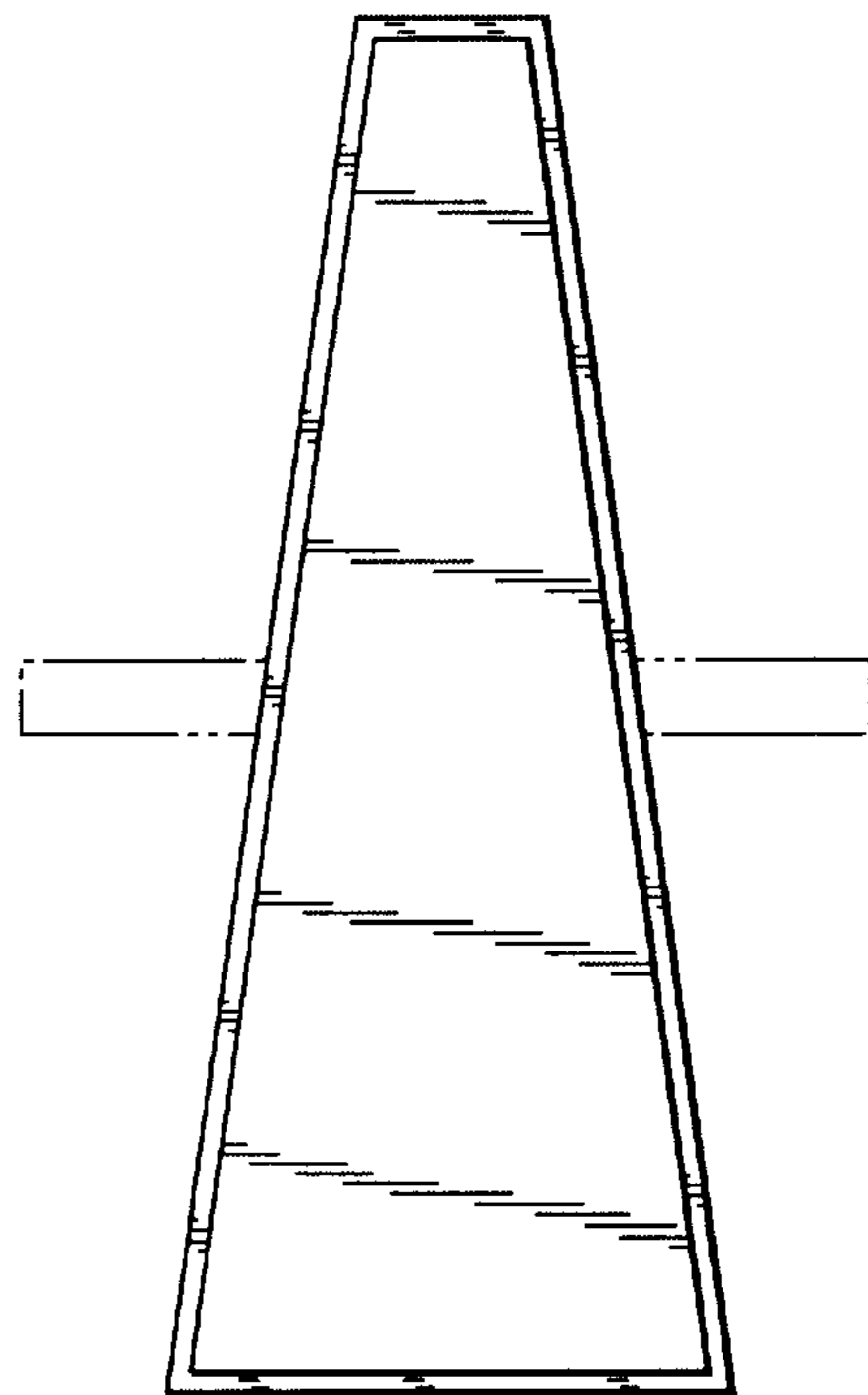


Fig. 5

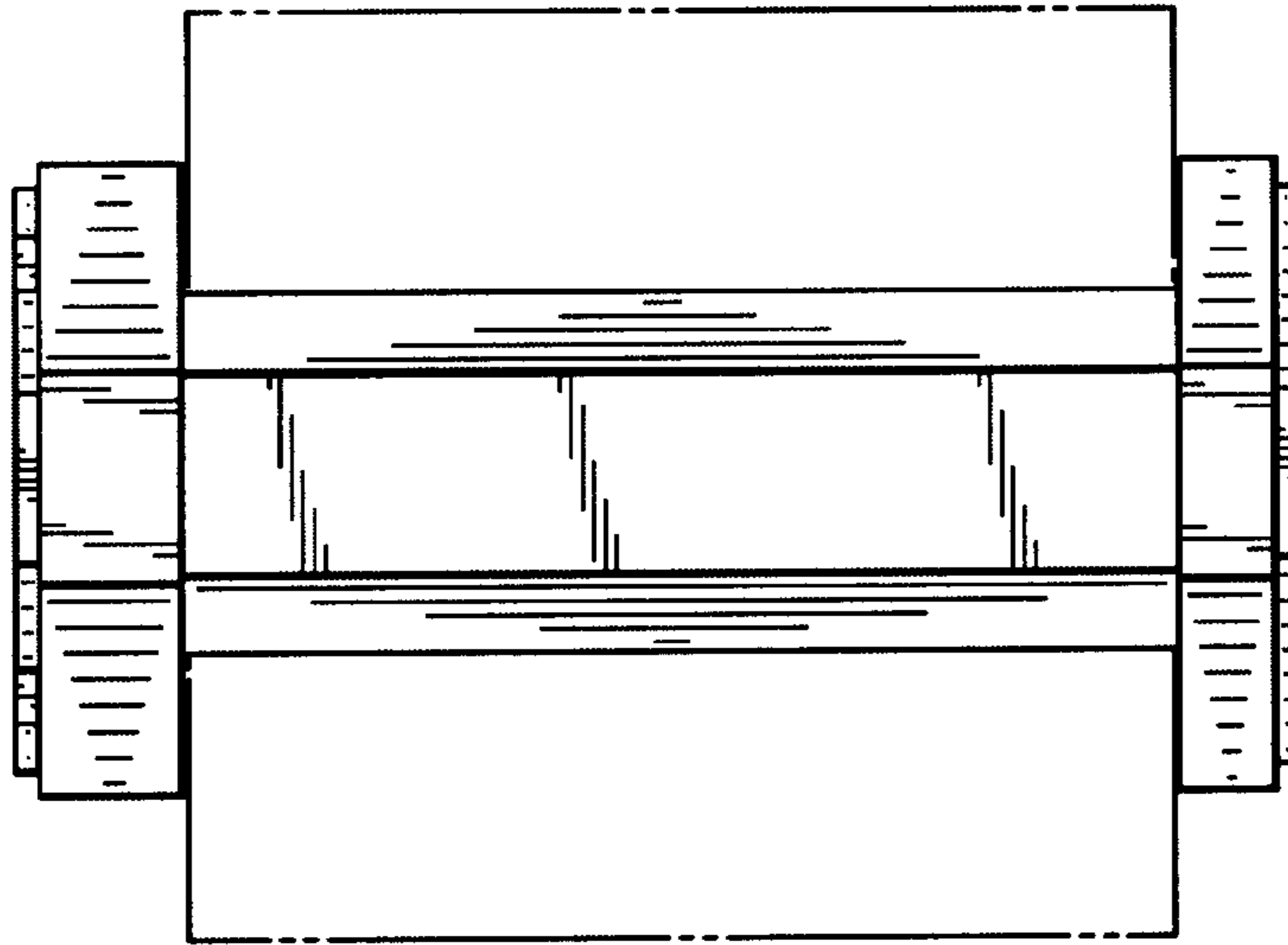


Fig. 6

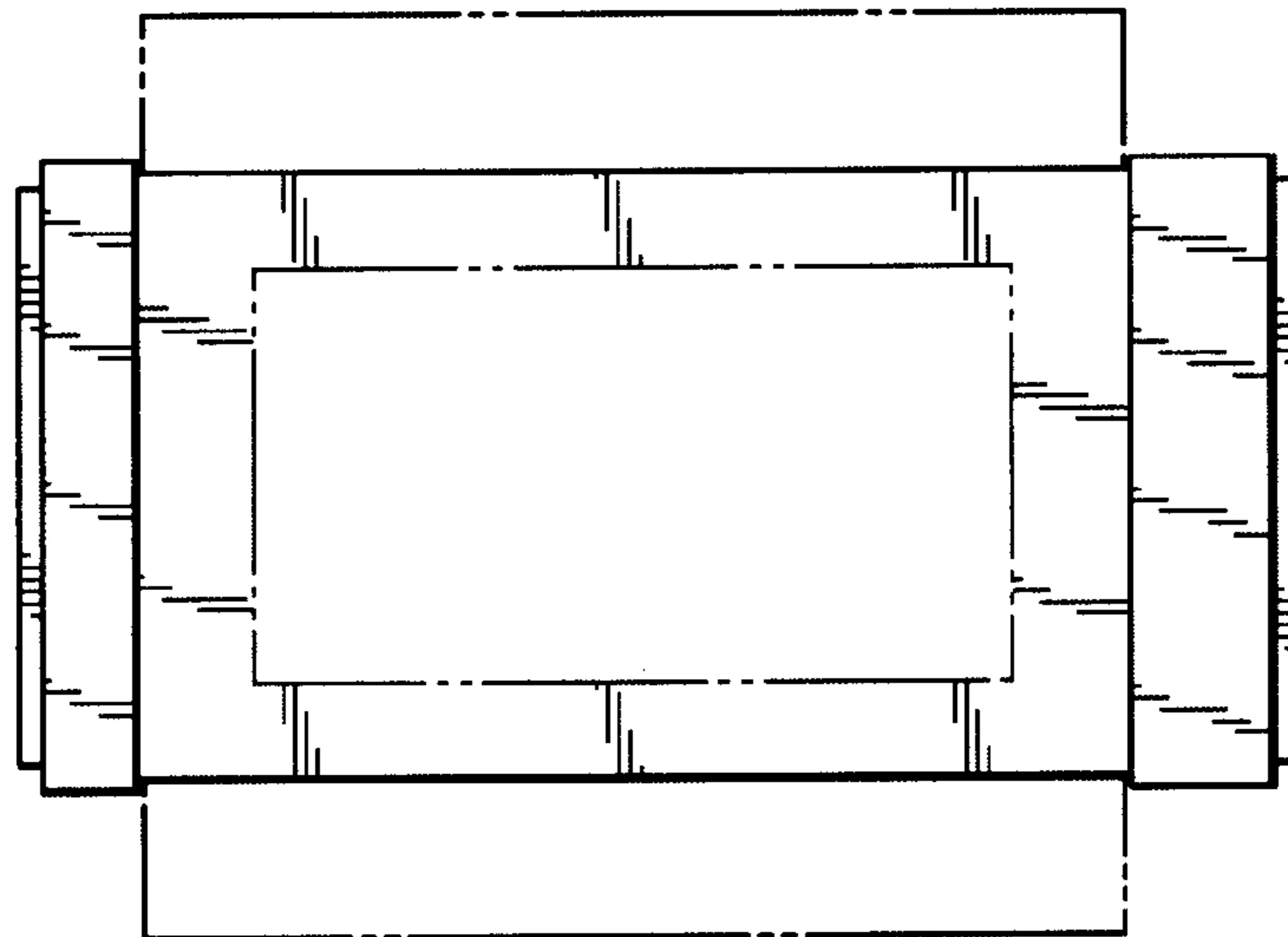


Fig. 7

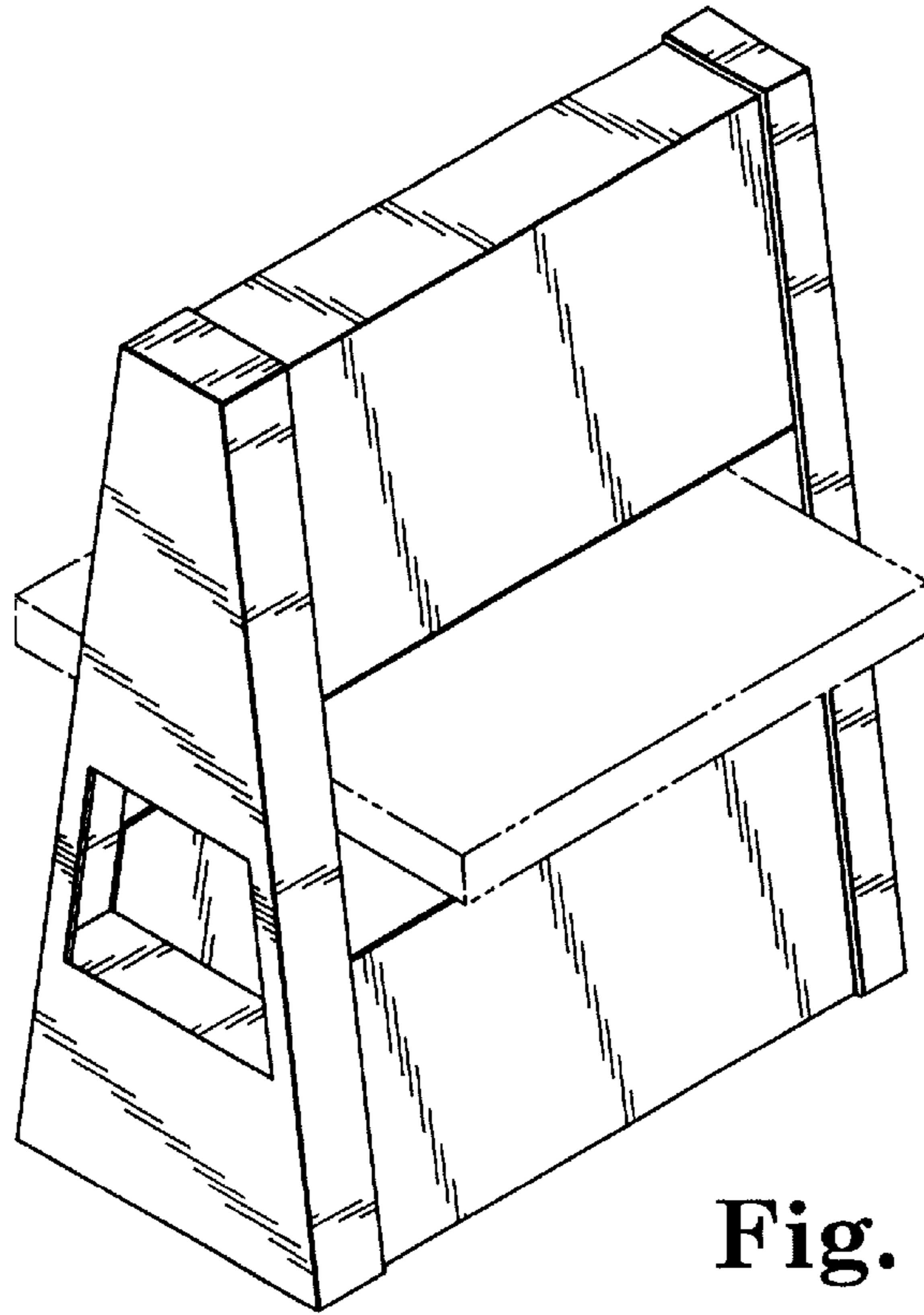


Fig. 8

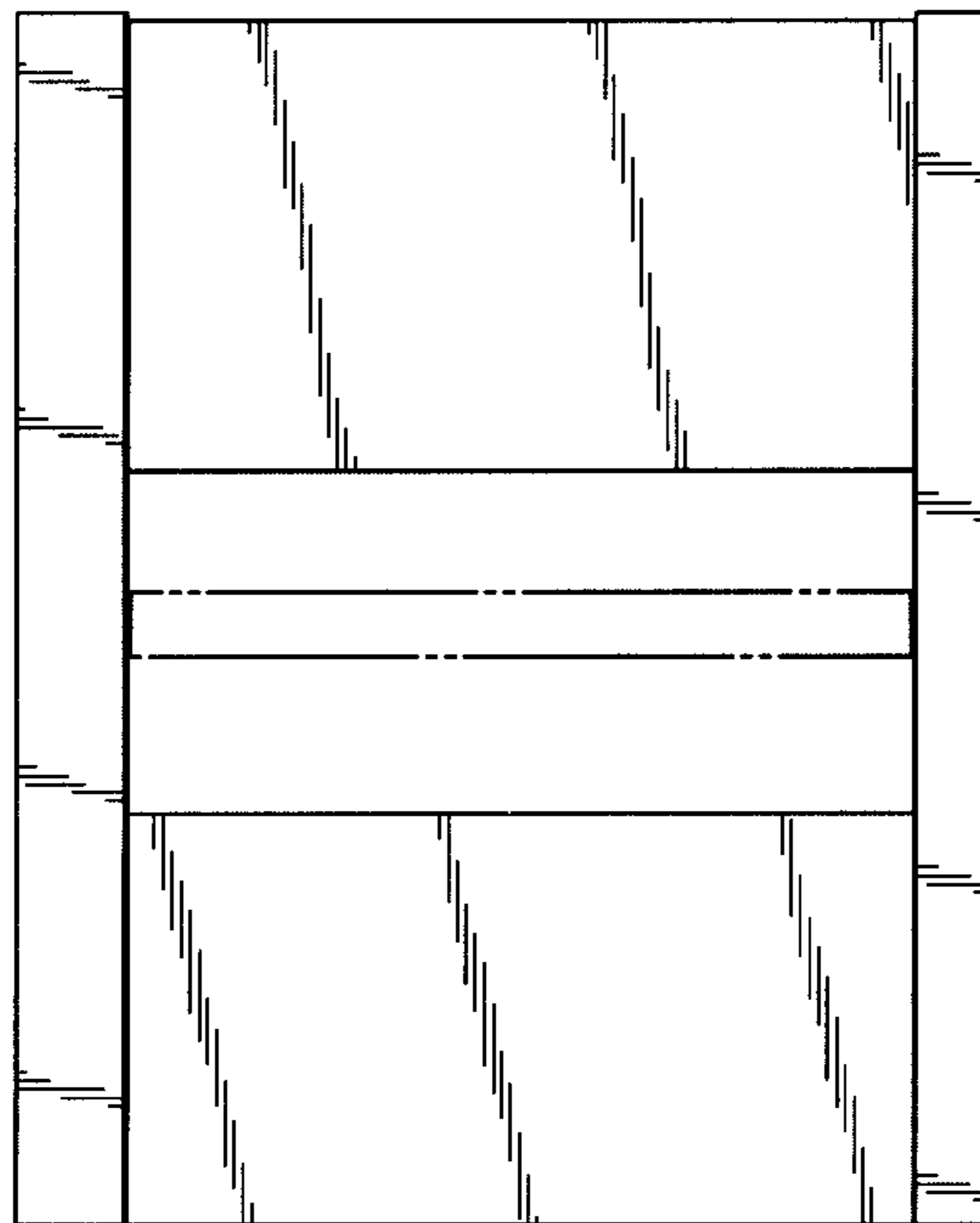


Fig. 9

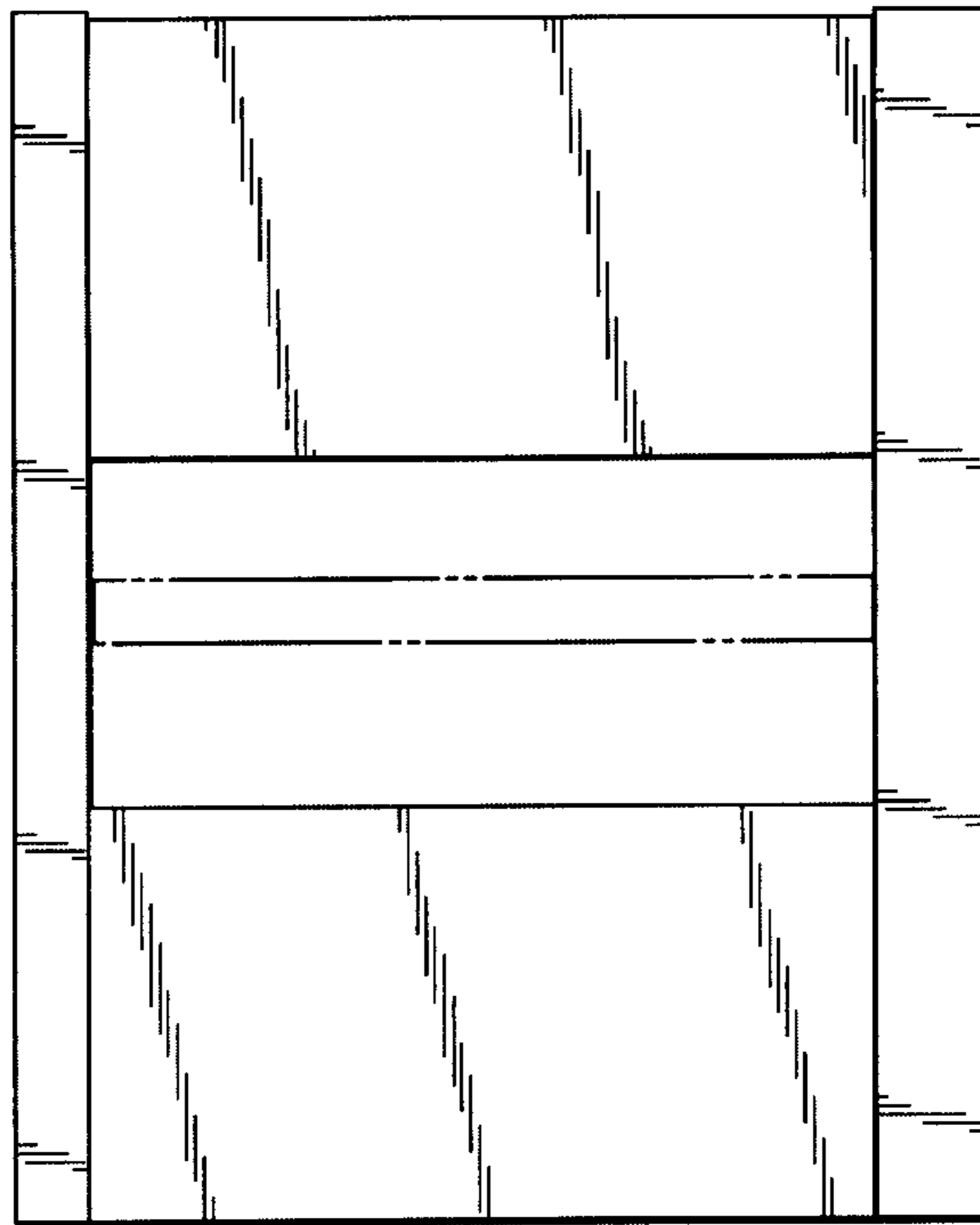


Fig. 10

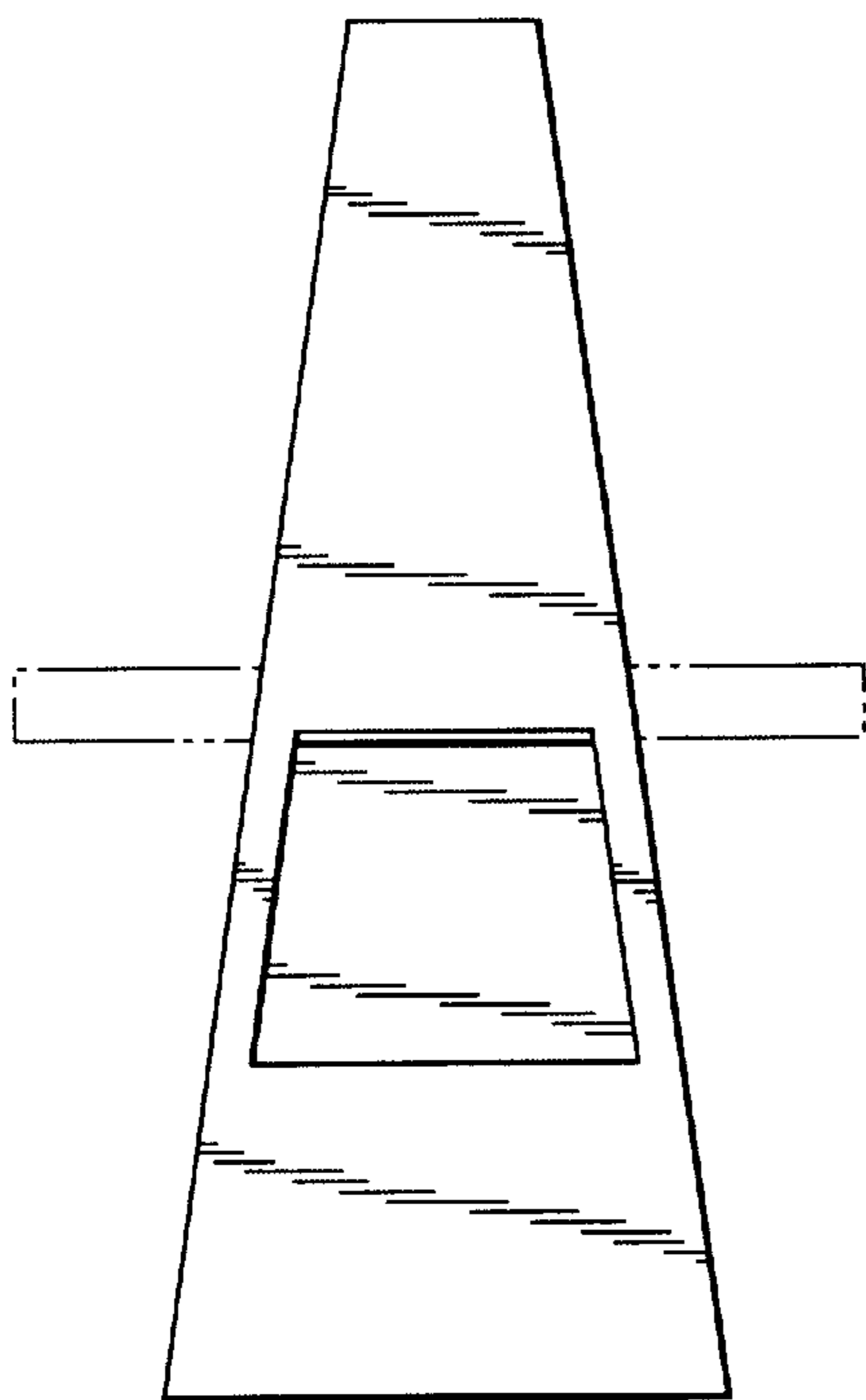


Fig. 11

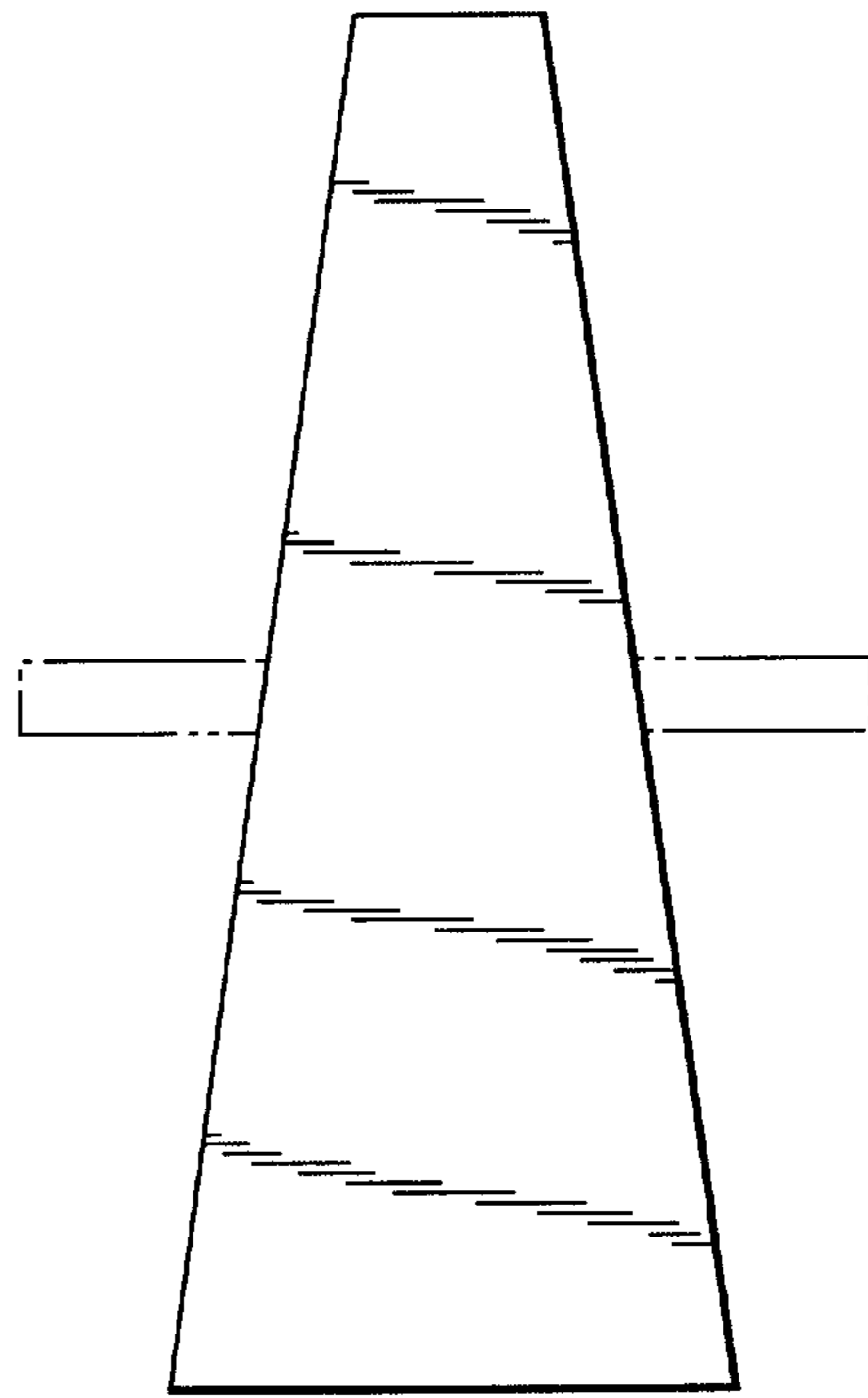


Fig. 12

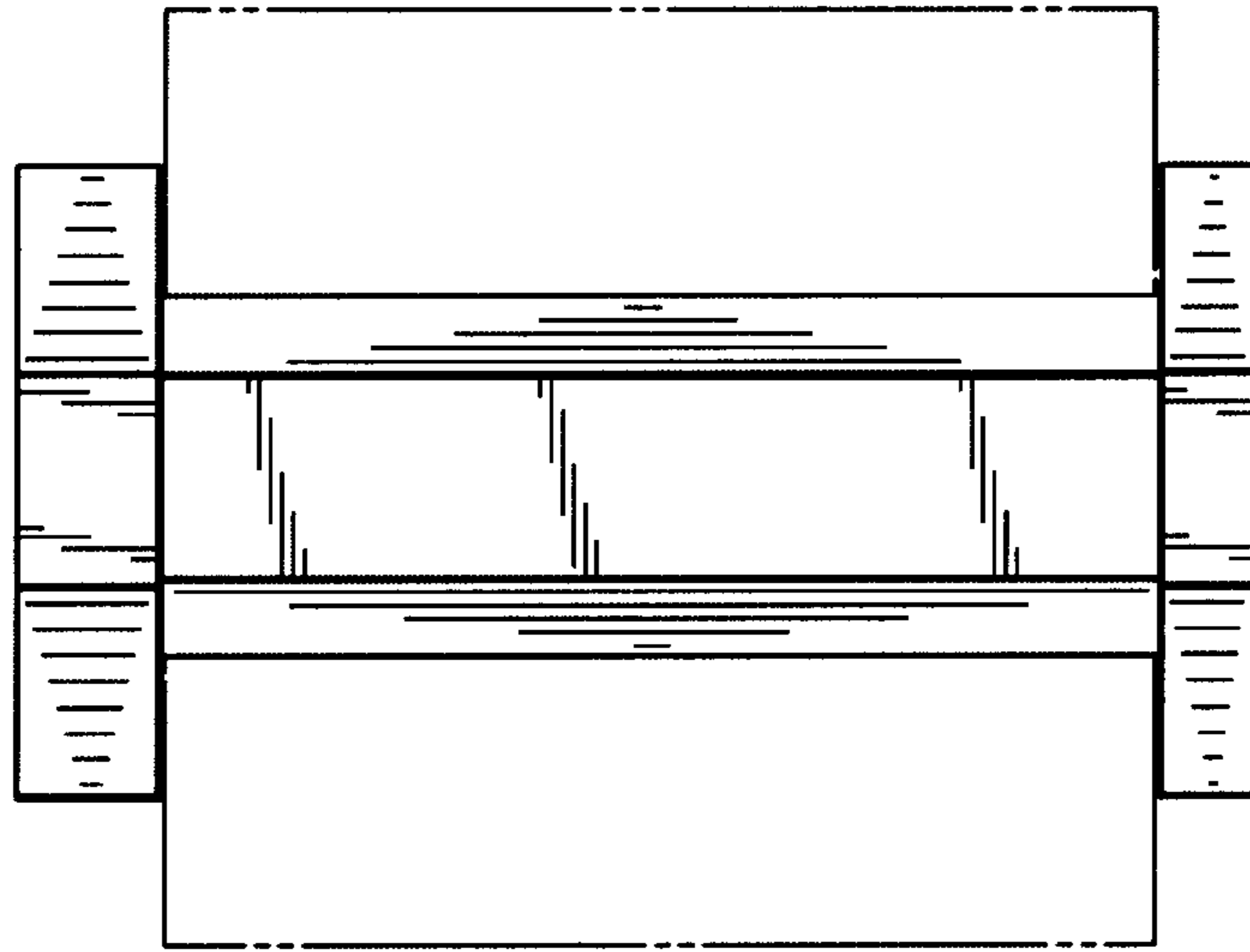


Fig. 13

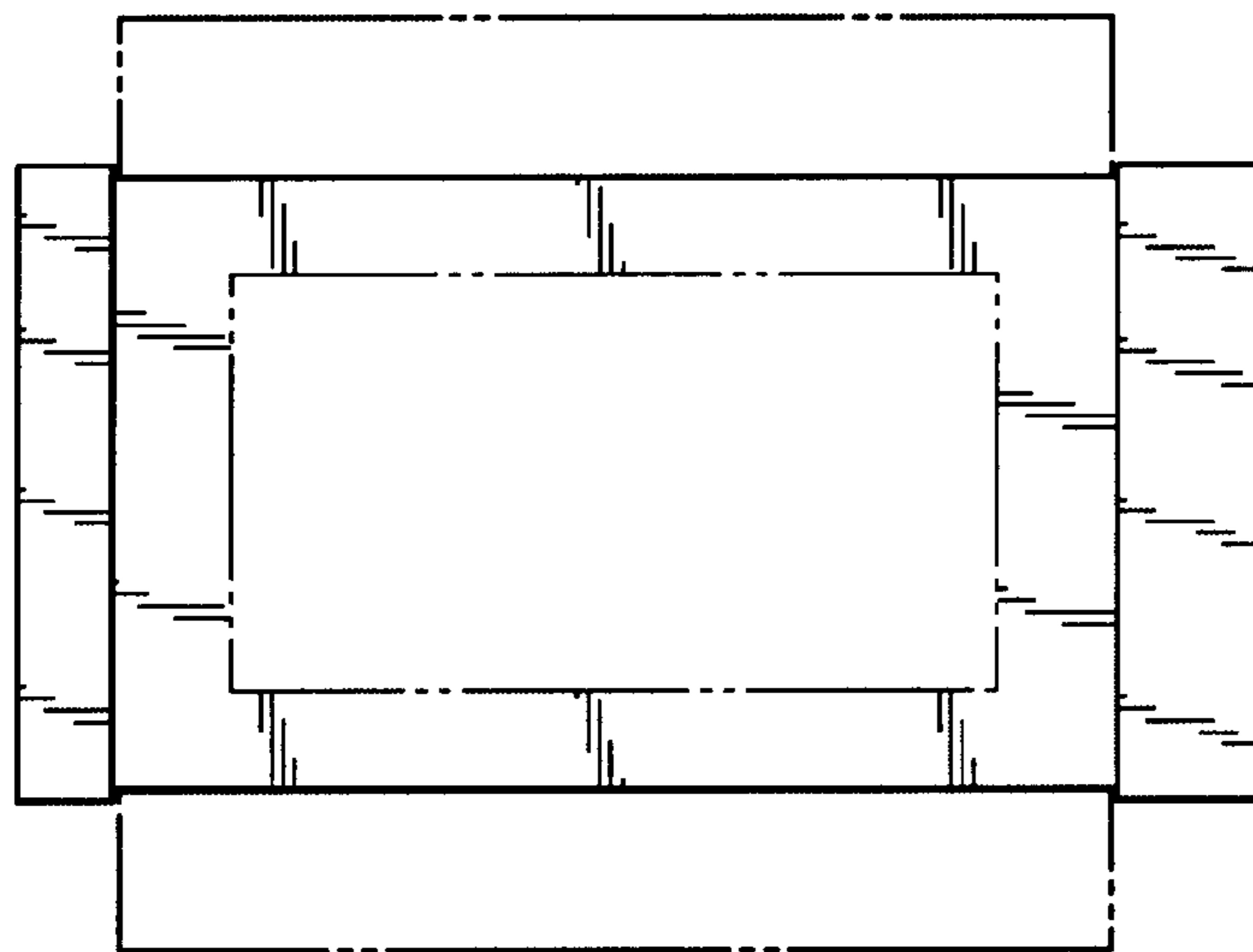


Fig. 14