



US00D488558S

(12) **United States Design Patent**  
**Hall**

(10) **Patent No.:** **US D488,558 S**

(45) **Date of Patent:** **\*\* Apr. 13, 2004**

(54) **DRAINAGE CANISTER**

(75) Inventor: **Colin Hall**, Poole (GB)

(73) Assignee: **KCI Licensing, Inc.**, San Antonio, TX (US)

(\*\*) Term: **14 Years**

(21) Appl. No.: **29/176,790**

(22) Filed: **Feb. 27, 2003**

(51) **LOC (7) Cl.** ..... **24-01**

(52) **U.S. Cl.** ..... **D24/108**

(58) **Field of Search** ..... D24/107, 108;  
604/317, 318, 319, 320, 322, 324

(56) **References Cited**

**U.S. PATENT DOCUMENTS**

4,747,843	A	*	5/1988	Felix et al.	.....	604/318
5,507,734	A	*	4/1996	Everett et al.	.....	604/320
5,960,837	A	*	10/1999	Cude	.....	141/65
D426,881	S	*	6/2000	Valerio et al.	.....	D24/108

6,338,728	B1	*	1/2002	Valerio et al.	.....	604/317
D469,175	S	*	1/2003	Hall et al.	.....	D24/108
D478,659	S	*	8/2003	Hall et al.	.....	D24/108
D479,744	S	*	9/2003	Mallett et al.	.....	D24/108

\* cited by examiner

*Primary Examiner*—Stella Reid

(74) *Attorney, Agent, or Firm*—Nadeem Bridi

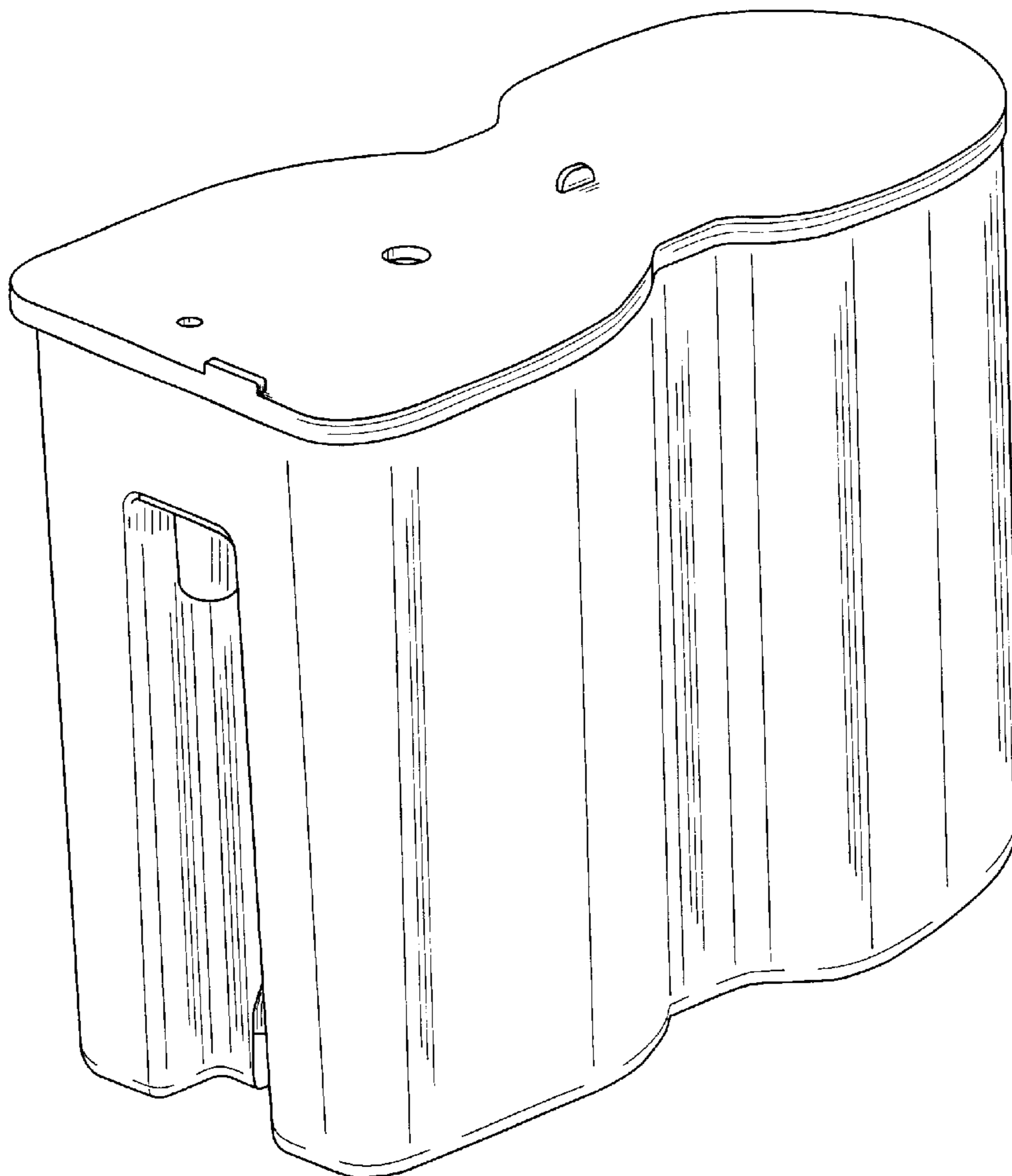
(57) **CLAIM**

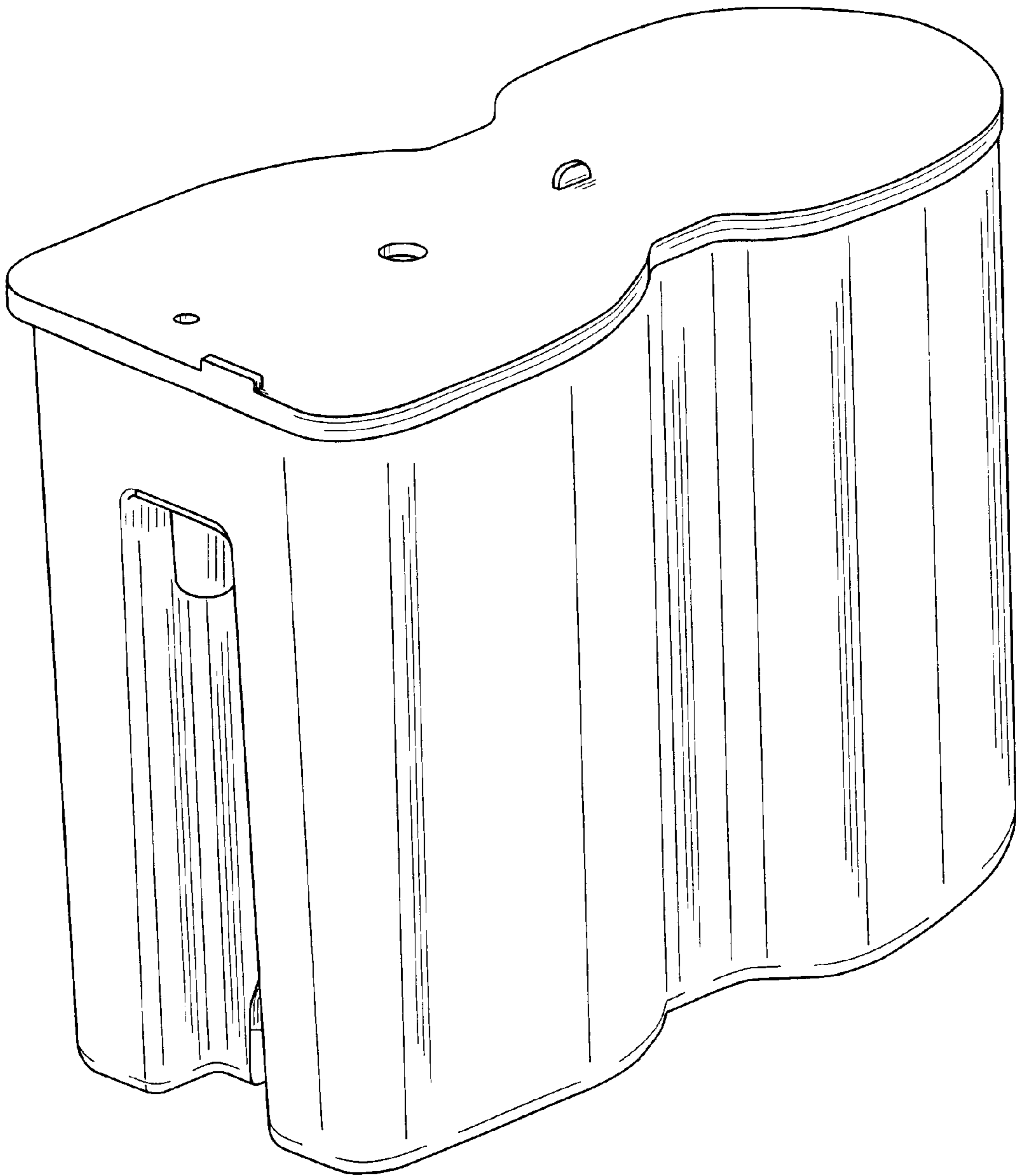
The ornamental design for a drainage canister, as shown and described.

**DESCRIPTION**

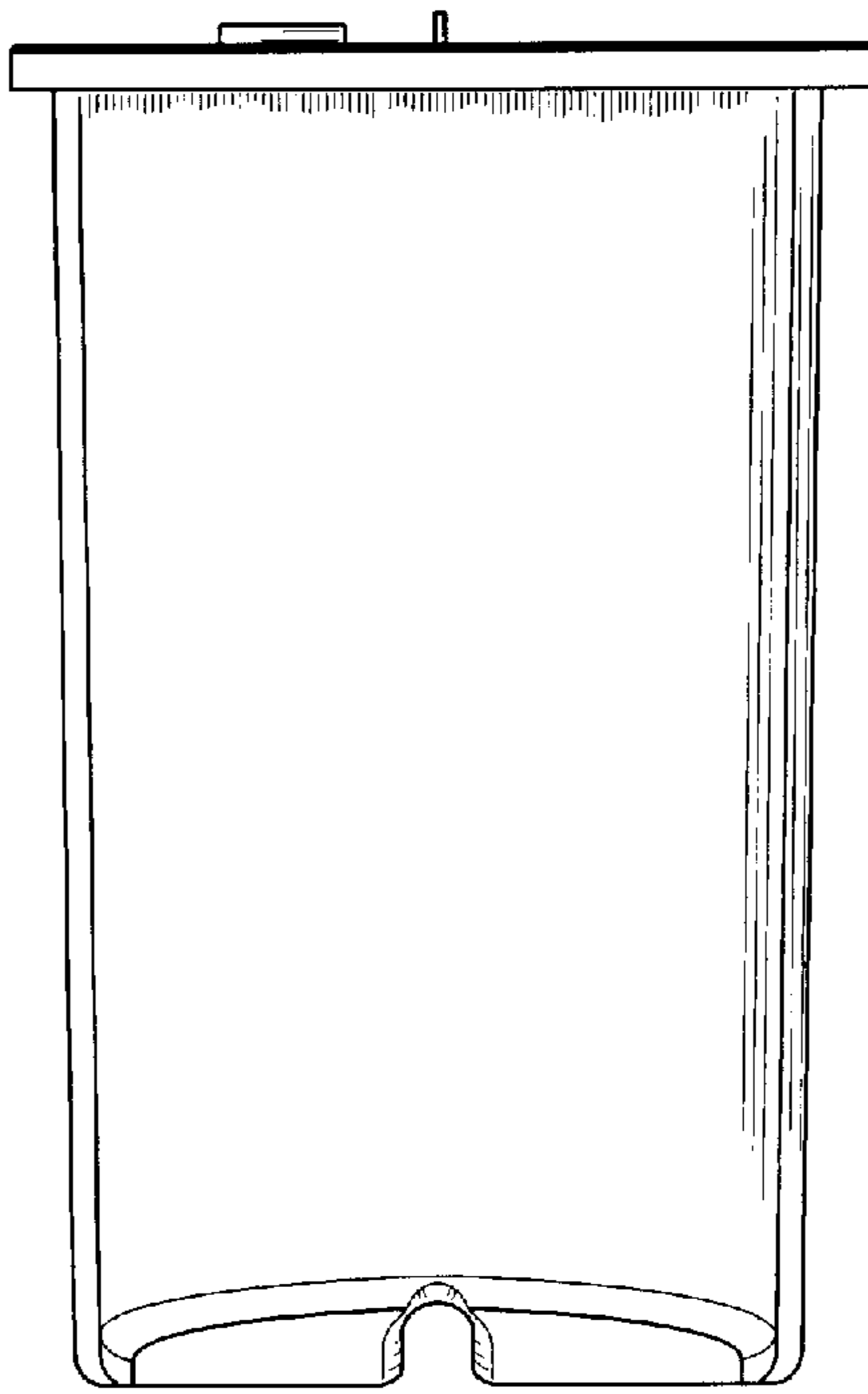
FIG. 1 is a perspective view of a drainage canister, showing my new design;  
 FIG. 2 is a front elevational view thereof;  
 FIG. 3 is a rear elevational view thereof;  
 FIG. 4 is a left side elevational view thereof;  
 FIG. 5 is a right side elevational view thereof;  
 FIG. 6 is a top plan view thereof; and,  
 FIG. 7 is a bottom plan view thereof.

**1 Claim, 4 Drawing Sheets**

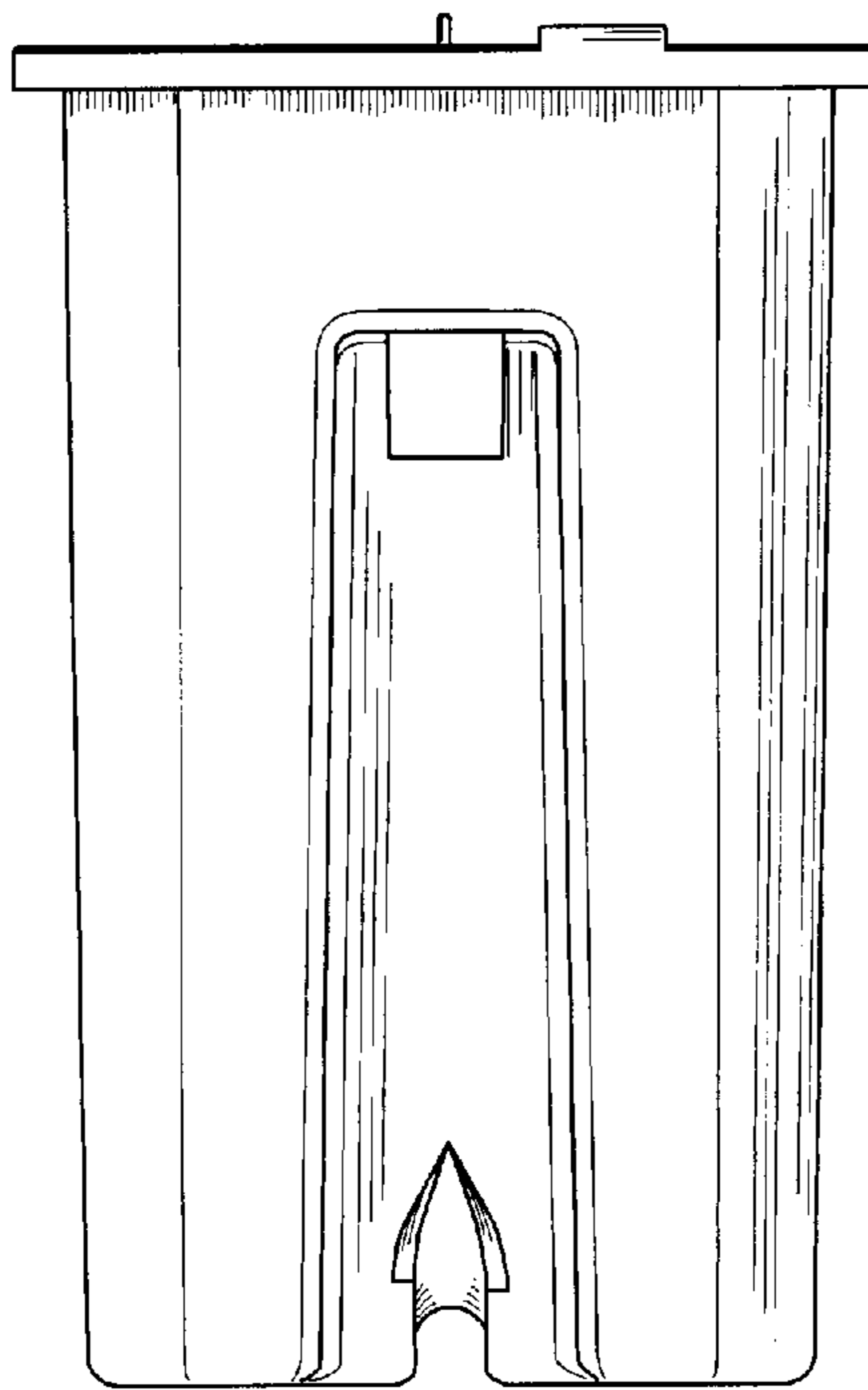




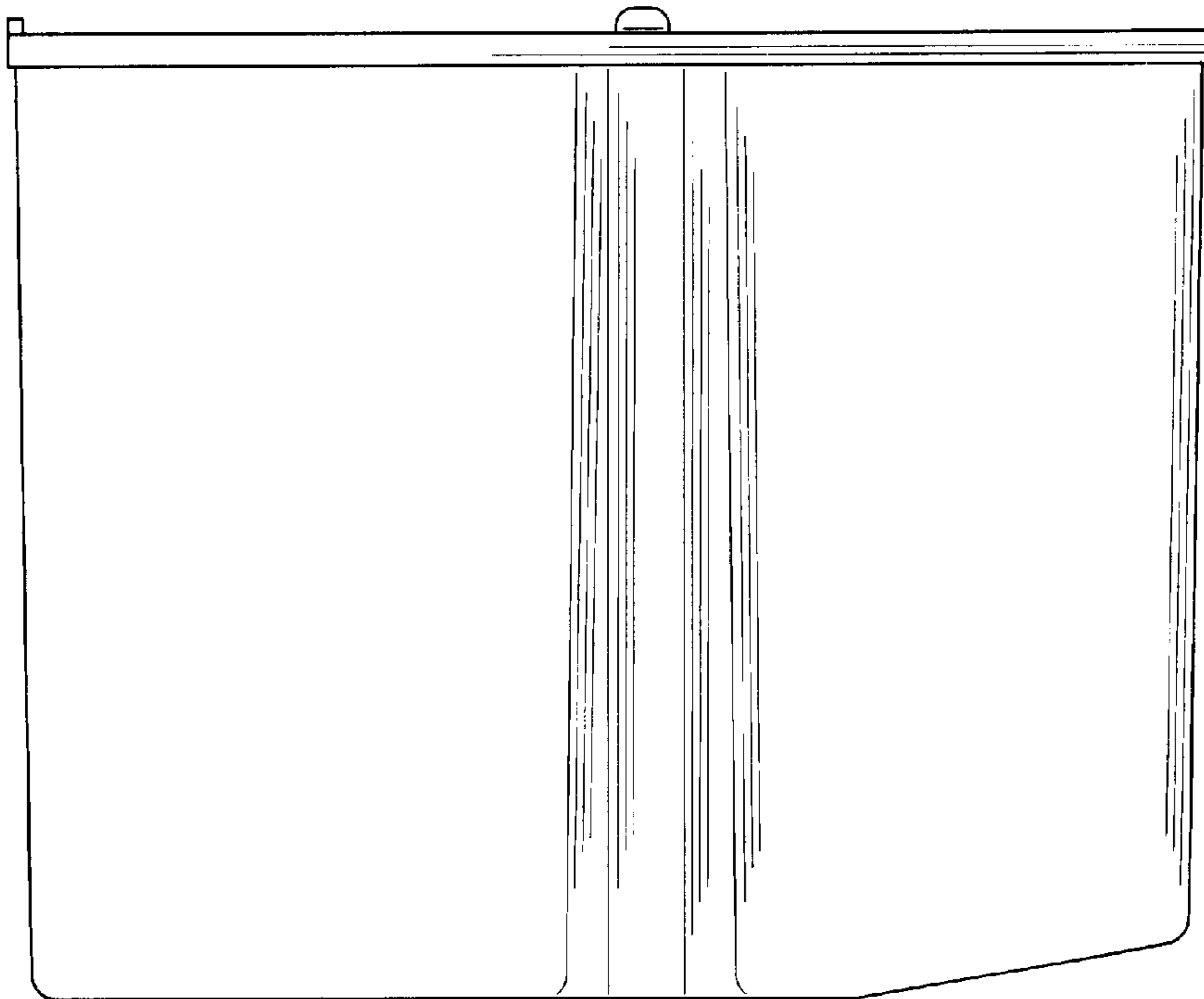
**FIG. 1**



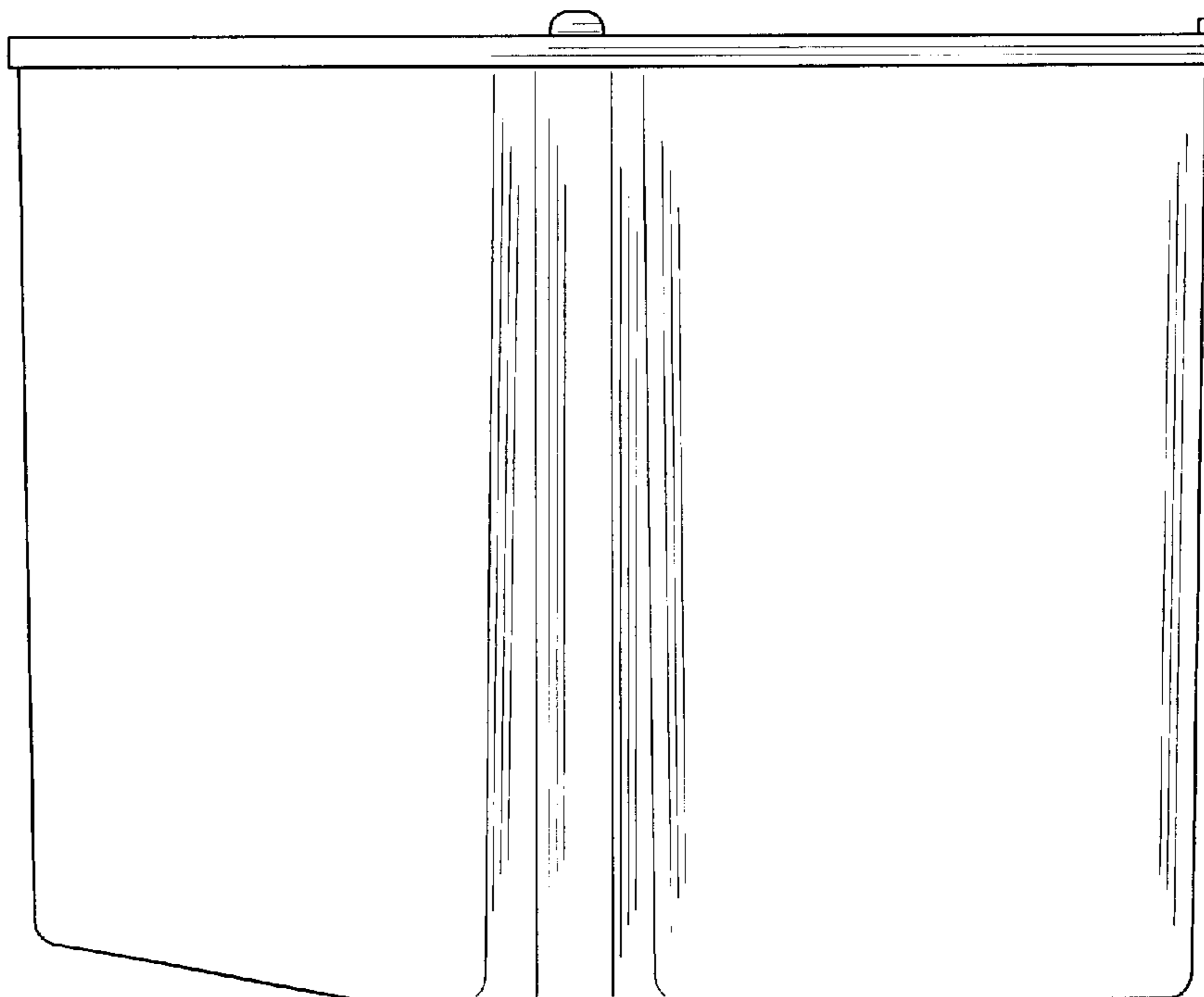
**FIG. 2**



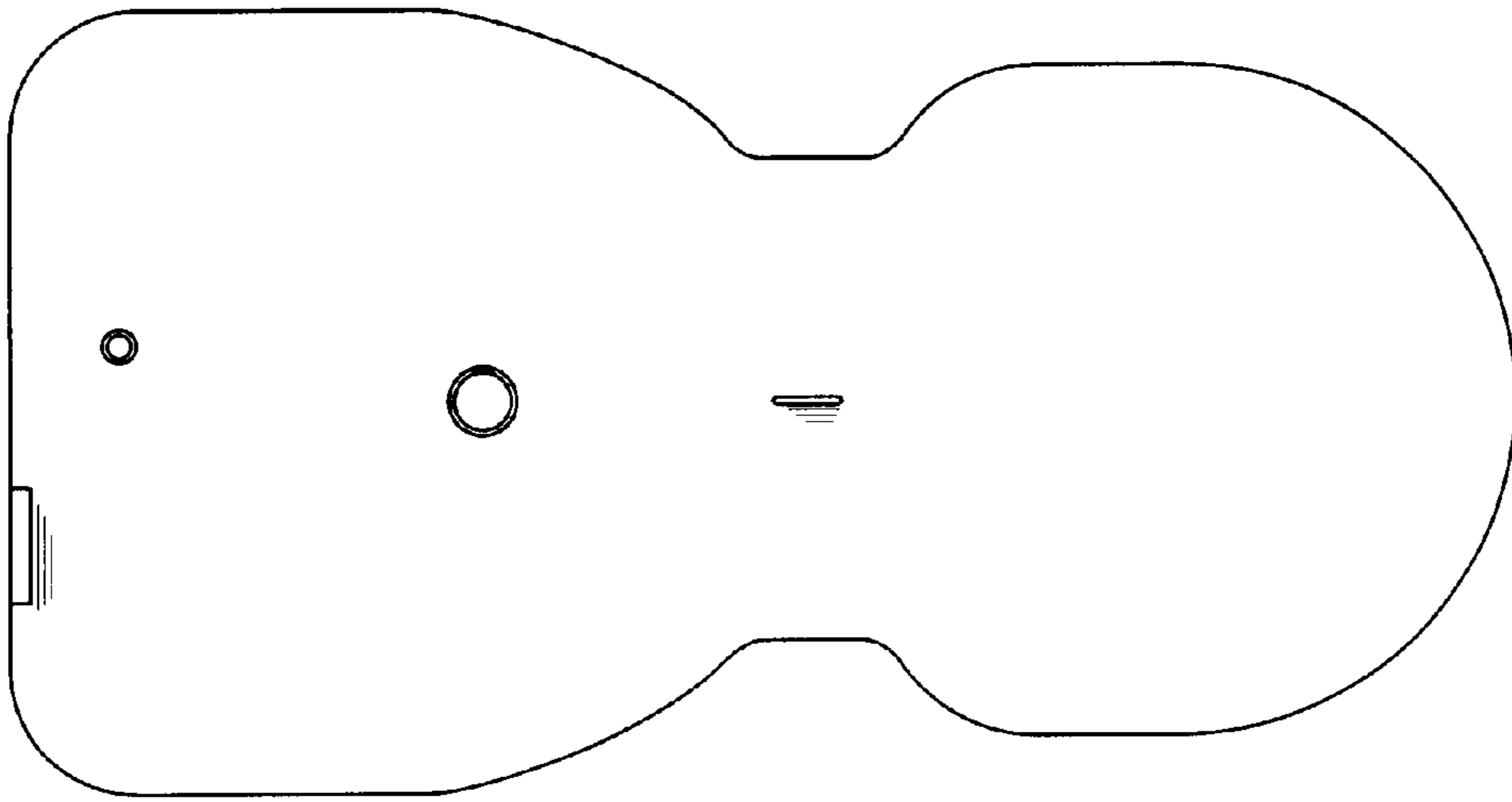
**FIG. 3**



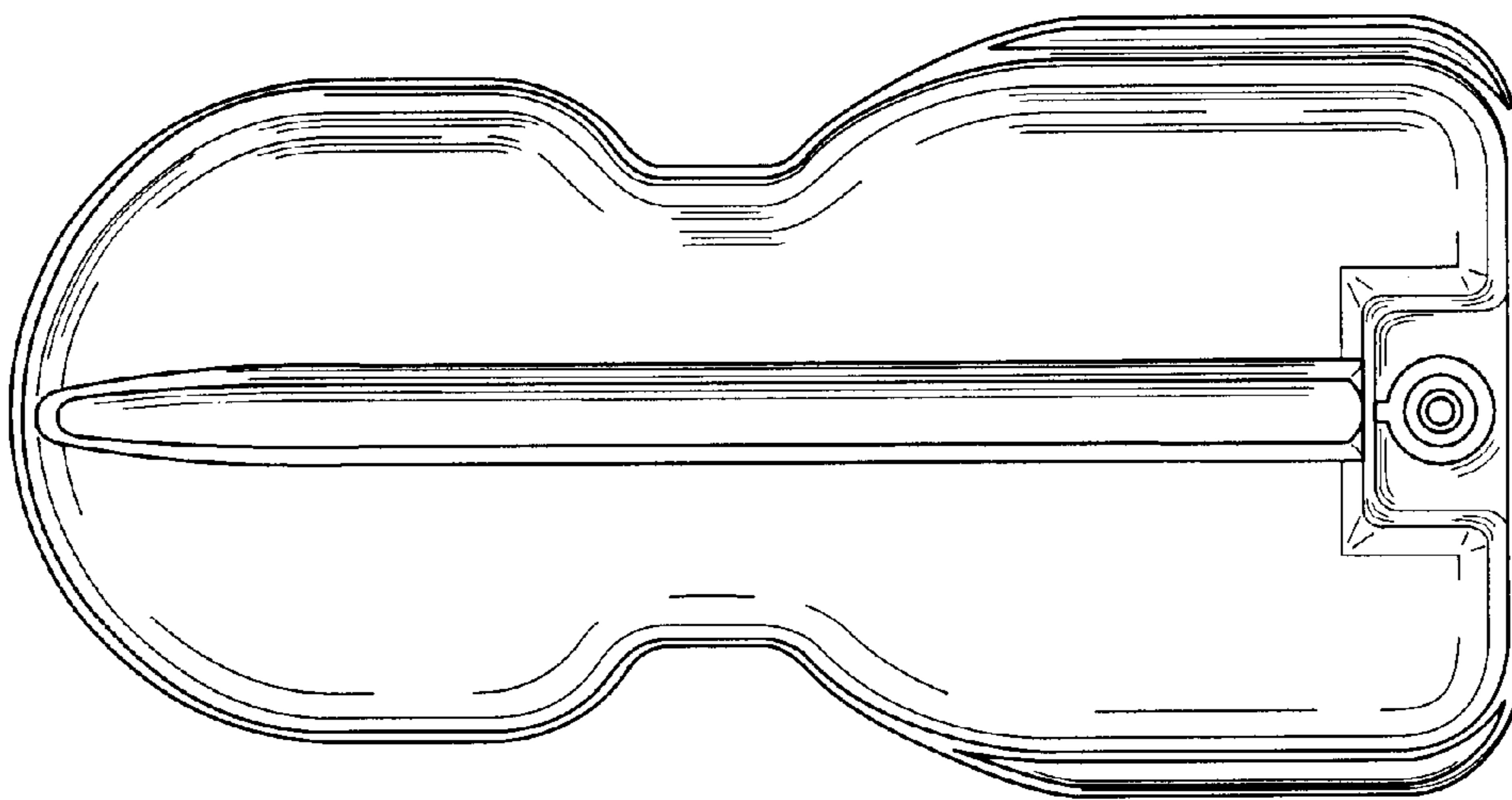
**FIG. 4**



**FIG. 5**



**FIG. 6**



**FIG. 7**