



US00D488555S

(12) **United States Design Patent**
Huang

(10) **Patent No.:** **US D488,555 S**

(45) **Date of Patent:** **** Apr. 13, 2004**

(54) **CEILING FAN MOTOR HOUSING**

(75) Inventor: **Hsiao-ching Huang**, Memphis, TN
(US)

(73) Assignee: **Hunter Fan Company**, Memphis, TN
(US)

(**) Term: **14 Years**

(21) Appl. No.: **29/186,009**

(22) Filed: **Jul. 8, 2003**

(51) **LOC (7) Cl.** **23-04**

(52) **U.S. Cl.** **D23/411**

(58) **Field of Search** D23/377, 379,
D23/385, 411, 413; 416/5

(56) **References Cited**

U.S. PATENT DOCUMENTS

D478,974 S * 8/2003 Hidalgo D23/377

OTHER PUBLICATIONS

Casablanca Fan Company 2001 Product Catalog p. 22,
(Brescia), p. 27, (Bella), p. 35 (Bel Air/Bel Air Halo), p. 36
(Metropolitan), and p. 38 (Capistrano).

Hunter Fan Company, Hunter Prestige 2003 Brochure, p. 15,
(Palais Jardin), p. 21, (Marseille), p. 25, (28133), p. 33,
(28183), and p. 48, (21967).

Sonica Catalog p. 29 and 30 Conqueror 44000 Series 52" 5
Blades and Sundowner 45000 Series 52" 5 Blades.

* cited by examiner

Primary Examiner—Lisa Lichtenstein

(74) *Attorney, Agent, or Firm*—Baker Donelson

(57) **CLAIM**

The ornamental design for a ceiling fan motor housing, as
shown and described.

DESCRIPTION

FIG. 1 is a perspective view of a ceiling fan motor housing
showing my new design.

FIG. 2 is a front view thereof, the rear view, right side view
and left side view being the same thereof.

FIG. 3 is a top view thereof; and,

FIG. 4 is a bottom view thereof.

The phantom lines are to indicate environment only and are
not intended to form a part of the claimed design.

1 Claim, 2 Drawing Sheets

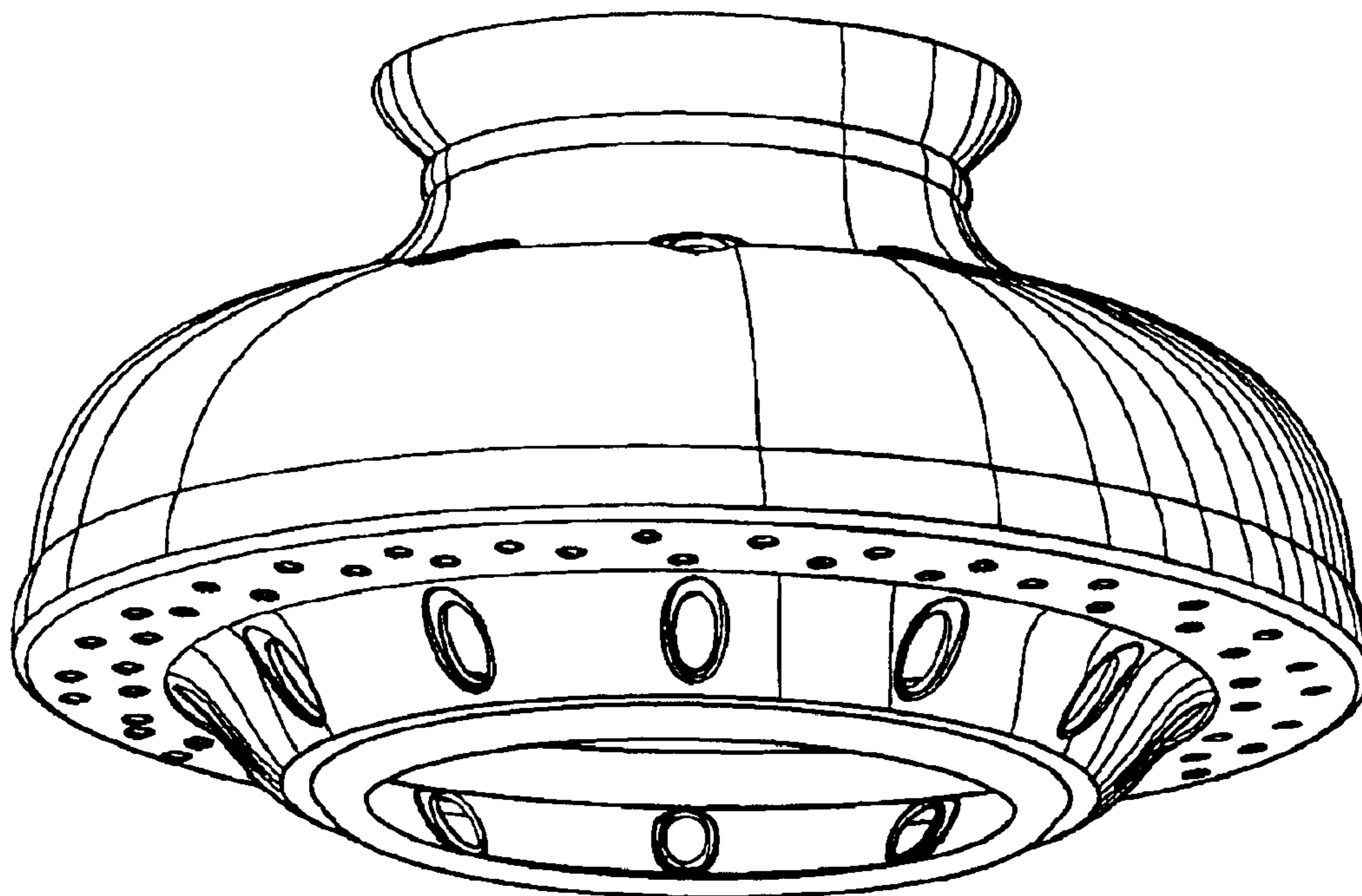


Fig. 1

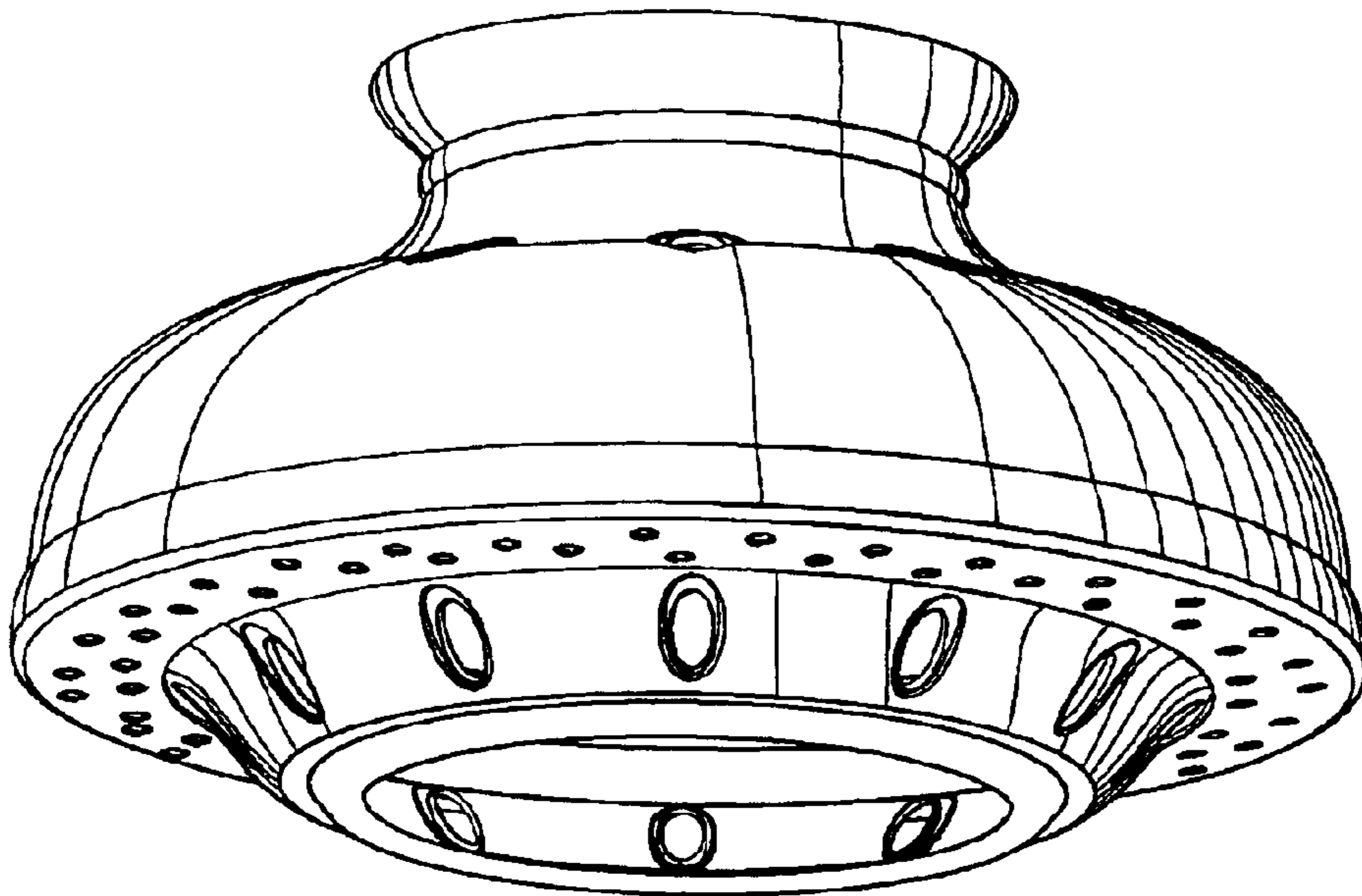


Fig. 2

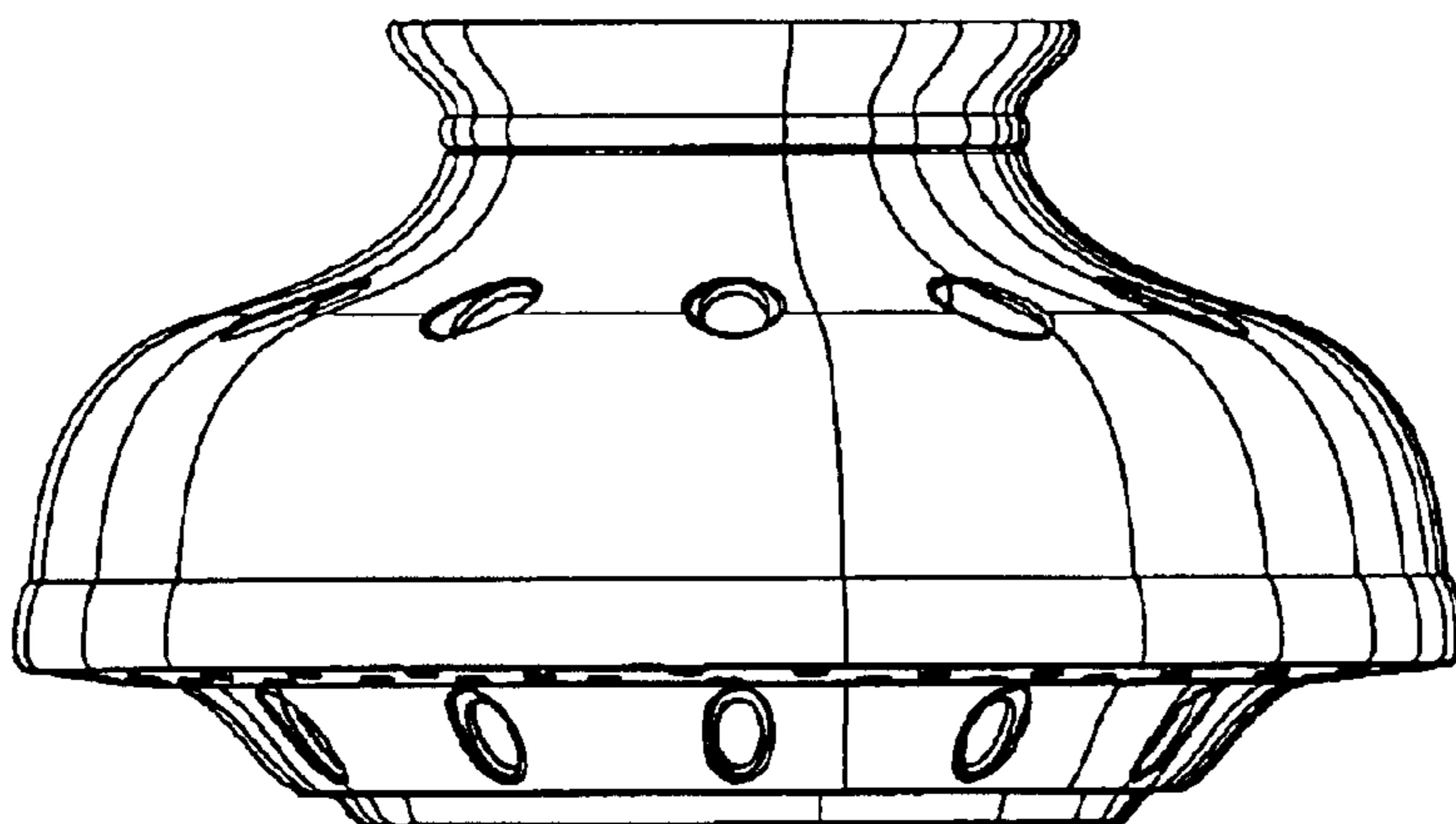


Fig. 3

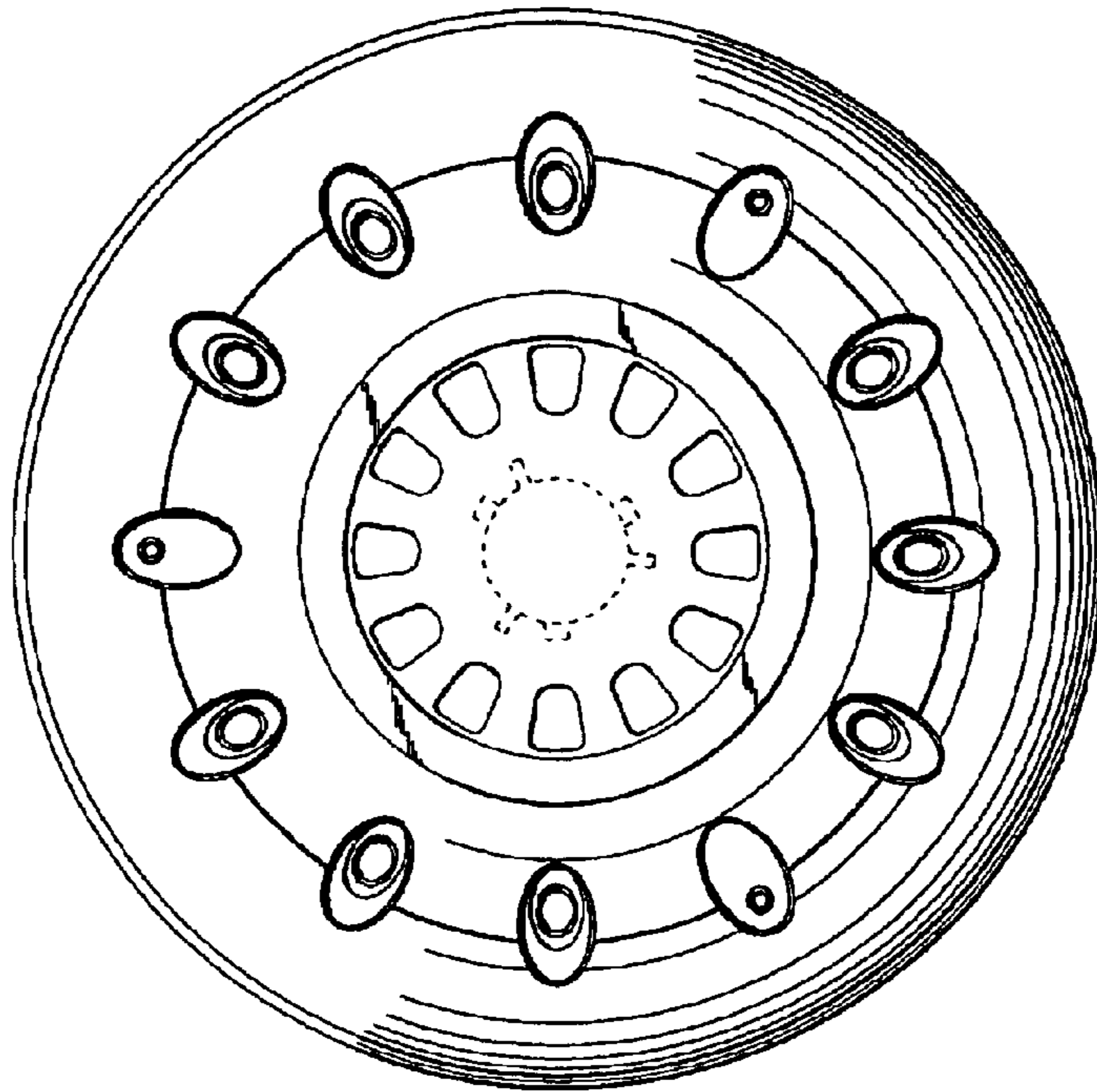


Fig. 4

