



US00D488553S

(12) **United States Design Patent**
Dery

(10) **Patent No.:** **US D488,553 S**

(45) **Date of Patent:** **** Apr. 13, 2004**

(54) **RACK FOR HOLDING FIREWOOD**

(75) Inventor: **Richard G. Dery**, North Smithfield, RI (US)

(73) Assignee: **Hearth & Stone, Inc.**, North Smithfield, RI (US)

(**) Term: **14 Years**

(21) Appl. No.: **29/167,817**

(22) Filed: **Sep. 20, 2002**

(51) **LOC (7) Cl.** **23-99**

(52) **U.S. Cl.** **D23/410**

(58) **Field of Search** D23/398, 403, D23/410, 499; 126/500; 16/DIG. 11

(56) **References Cited**

U.S. PATENT DOCUMENTS

D260,231 S * 8/1981 DeMuro D23/410
D416,322 S * 11/1999 Suher D23/410

* cited by examiner

Primary Examiner—Louis S. Zarfes
Assistant Examiner—Robert A Delehanty
(74) *Attorney, Agent, or Firm*—Barlow, Josephs & Holmes, Ltd.

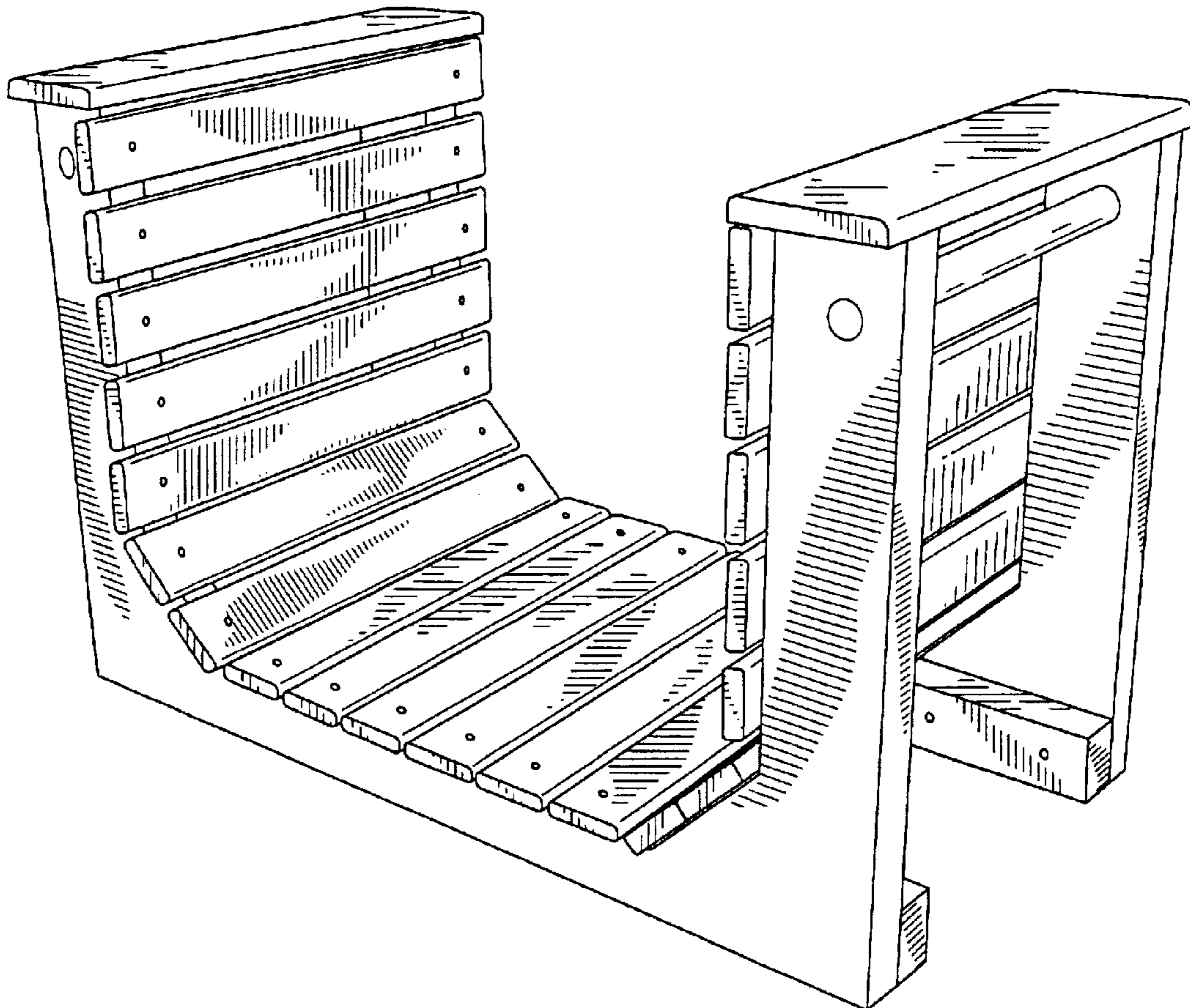
(57) **CLAIM**

The ornamental design for a rack for holding firewood, as shown.

DESCRIPTION

FIG. 1 is a front perspective view of the rack for holding firewood showing my new design;
FIG. 2 is a top view thereof;
FIG. 3 is a bottom view thereof;
FIG. 4 is a left elevational view thereof;
FIG. 5 is a right elevational view thereof;
FIG. 6 is a front view thereof; and,
FIG. 7 is a rear view thereof.

1 Claim, 7 Drawing Sheets



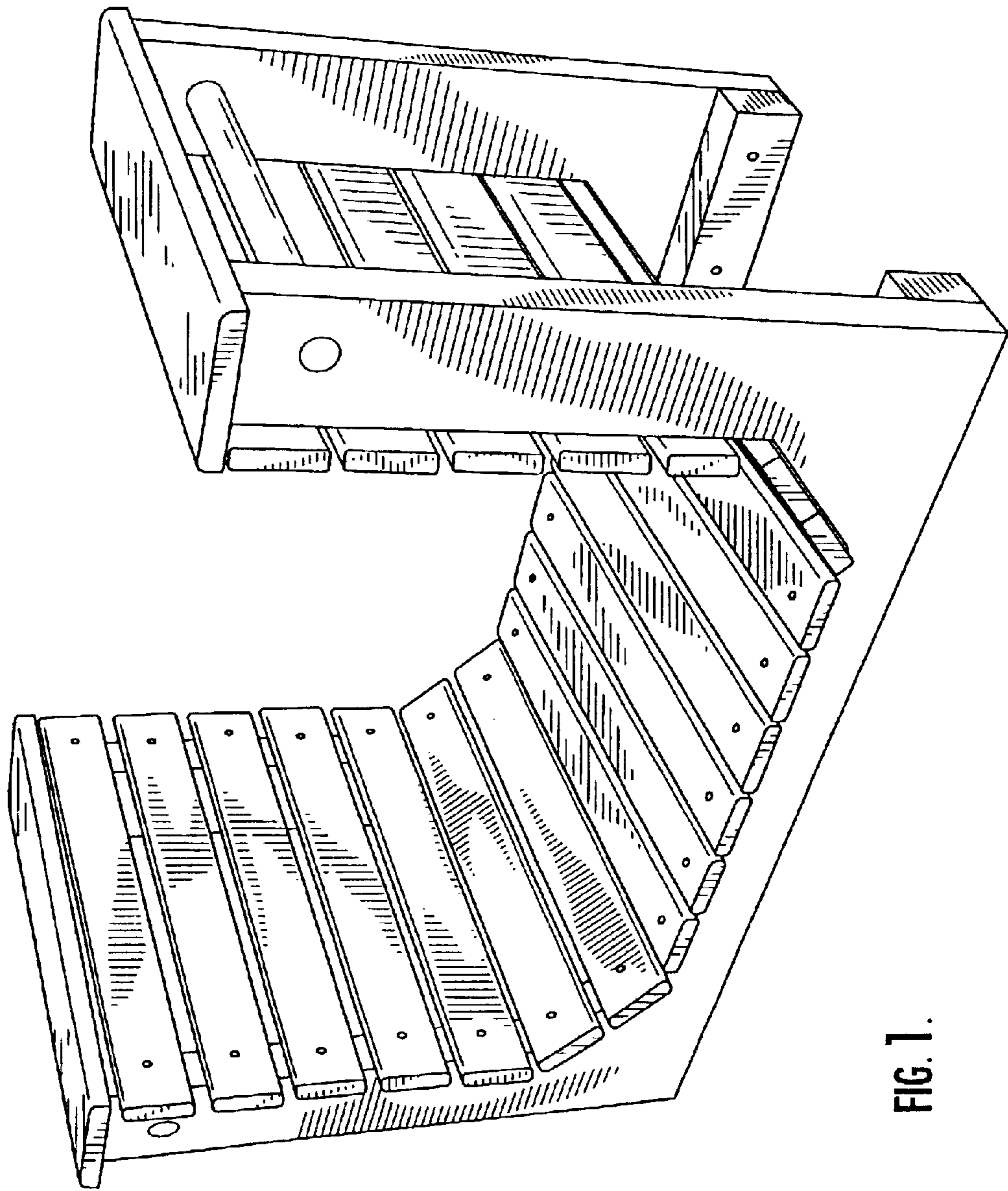


FIG. 1.

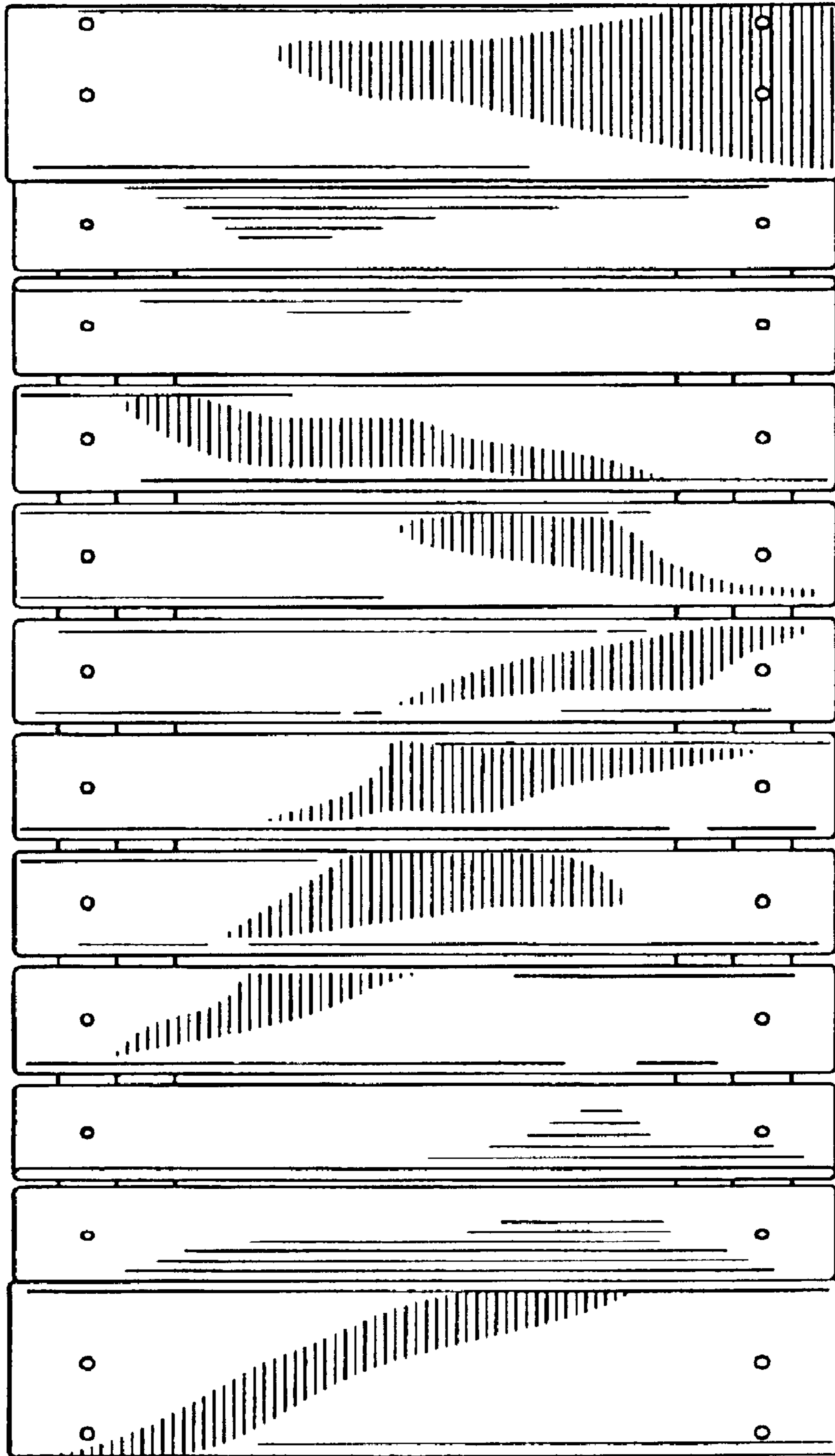


FIG. 2.

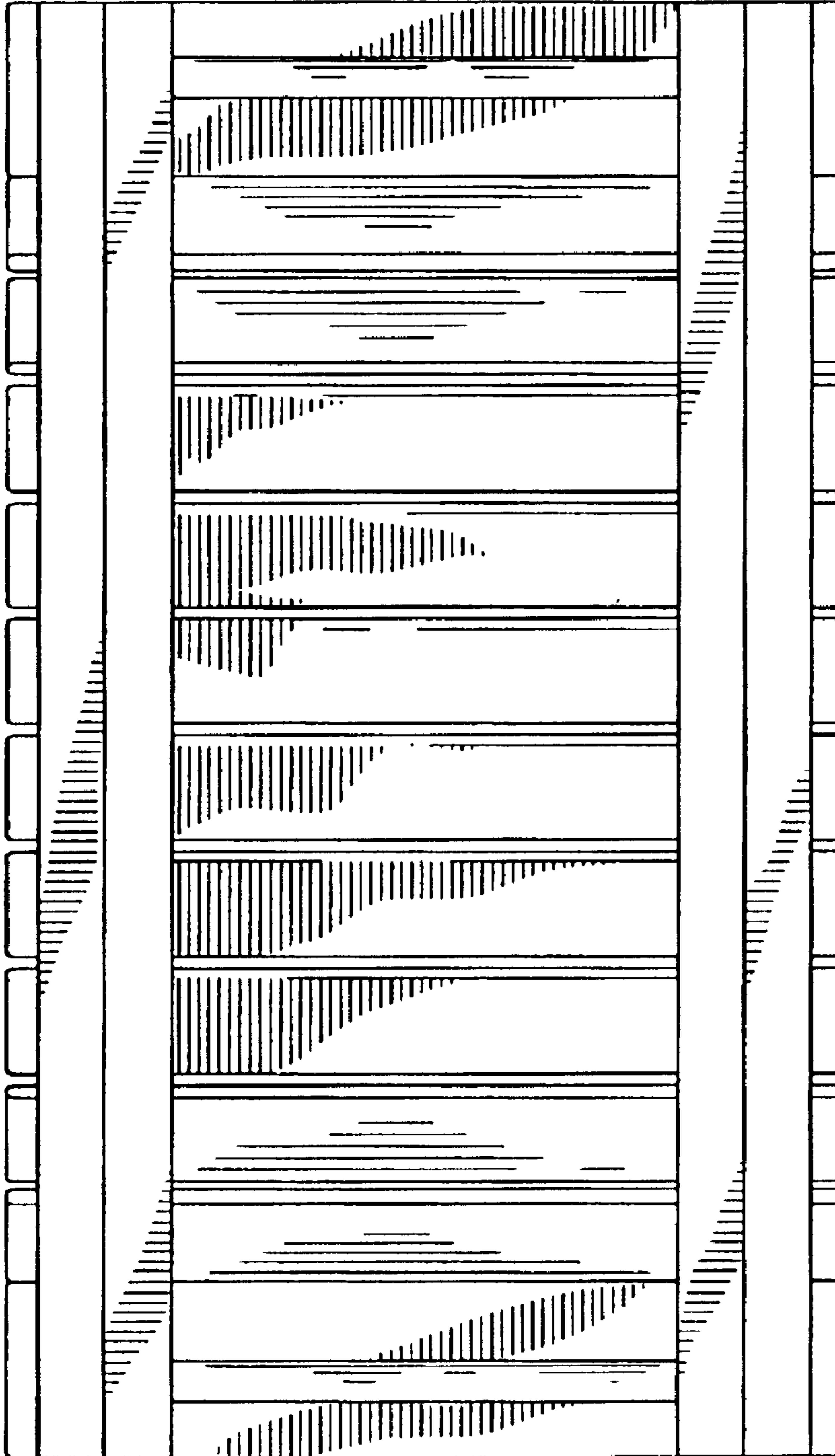


FIG. 3.

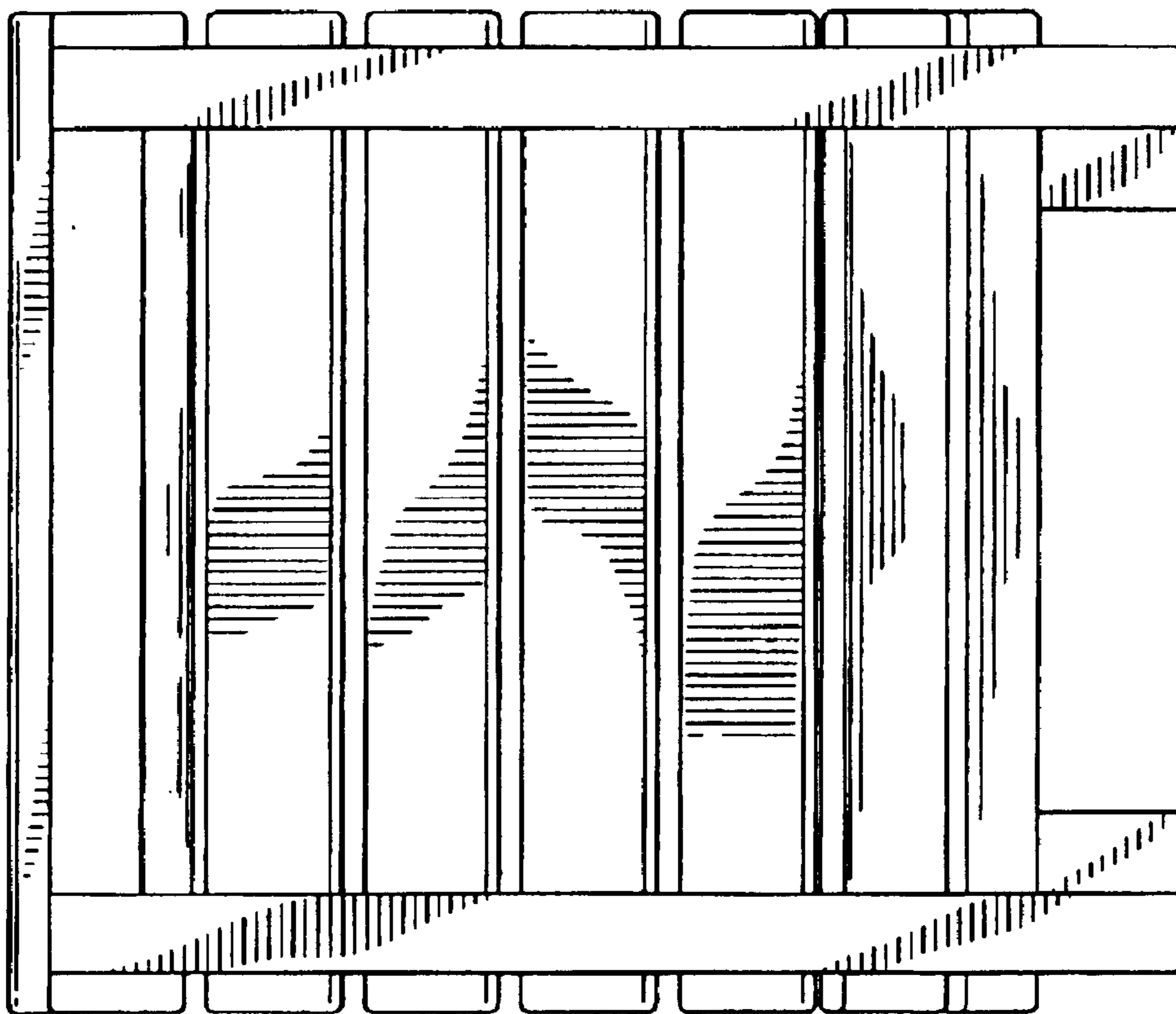


FIG. 4.

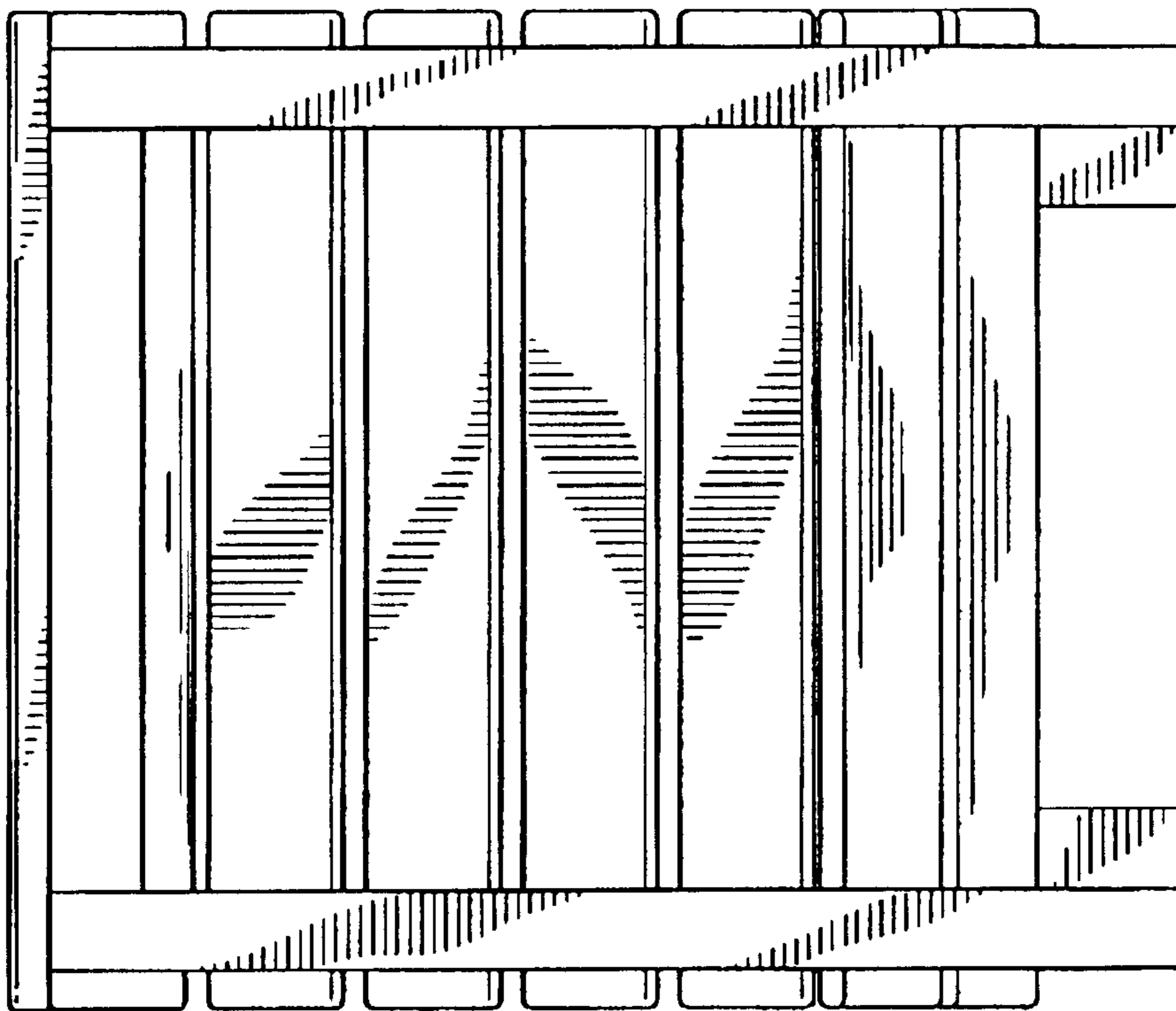


FIG. 5.

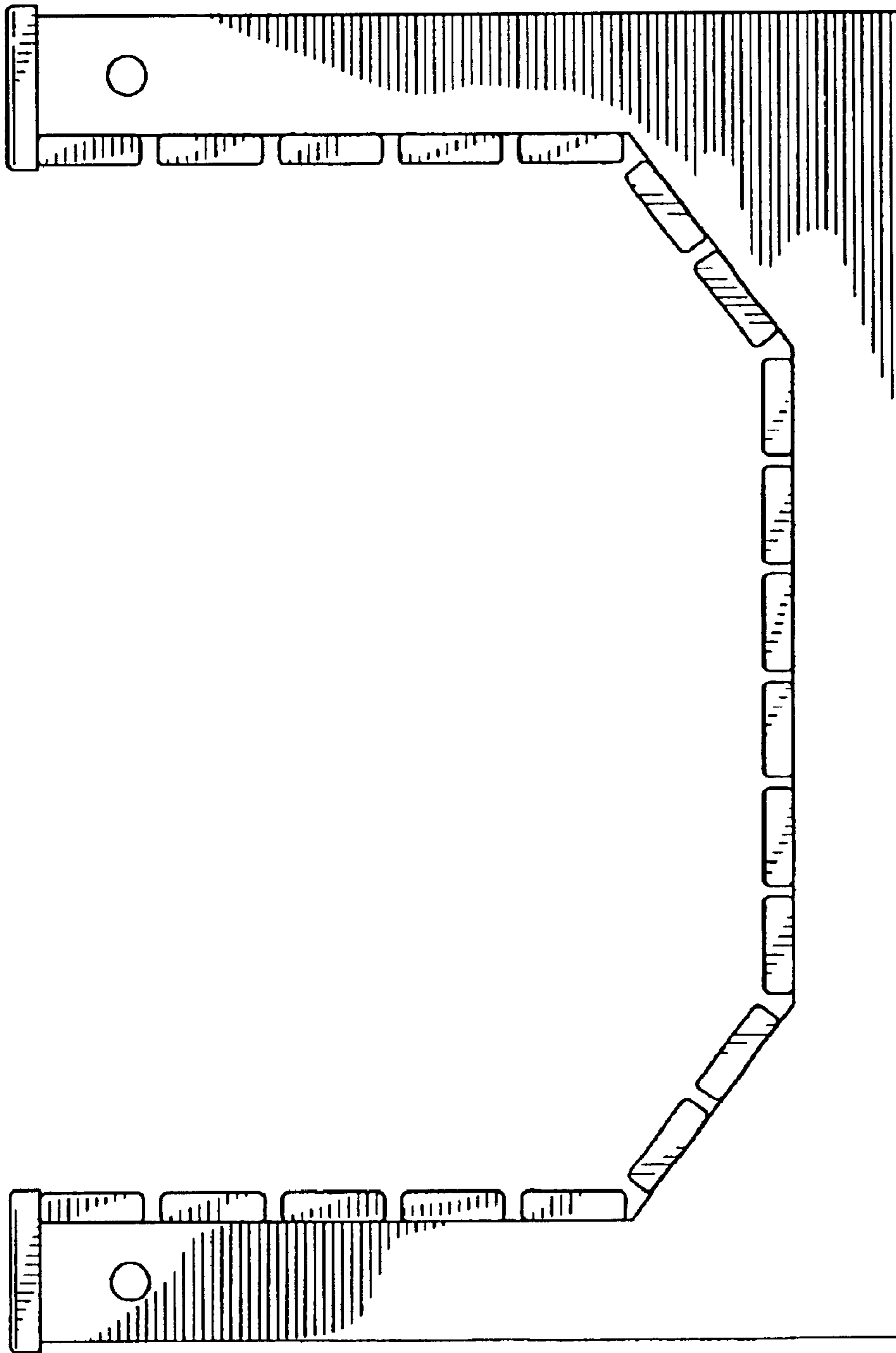


FIG. 6.

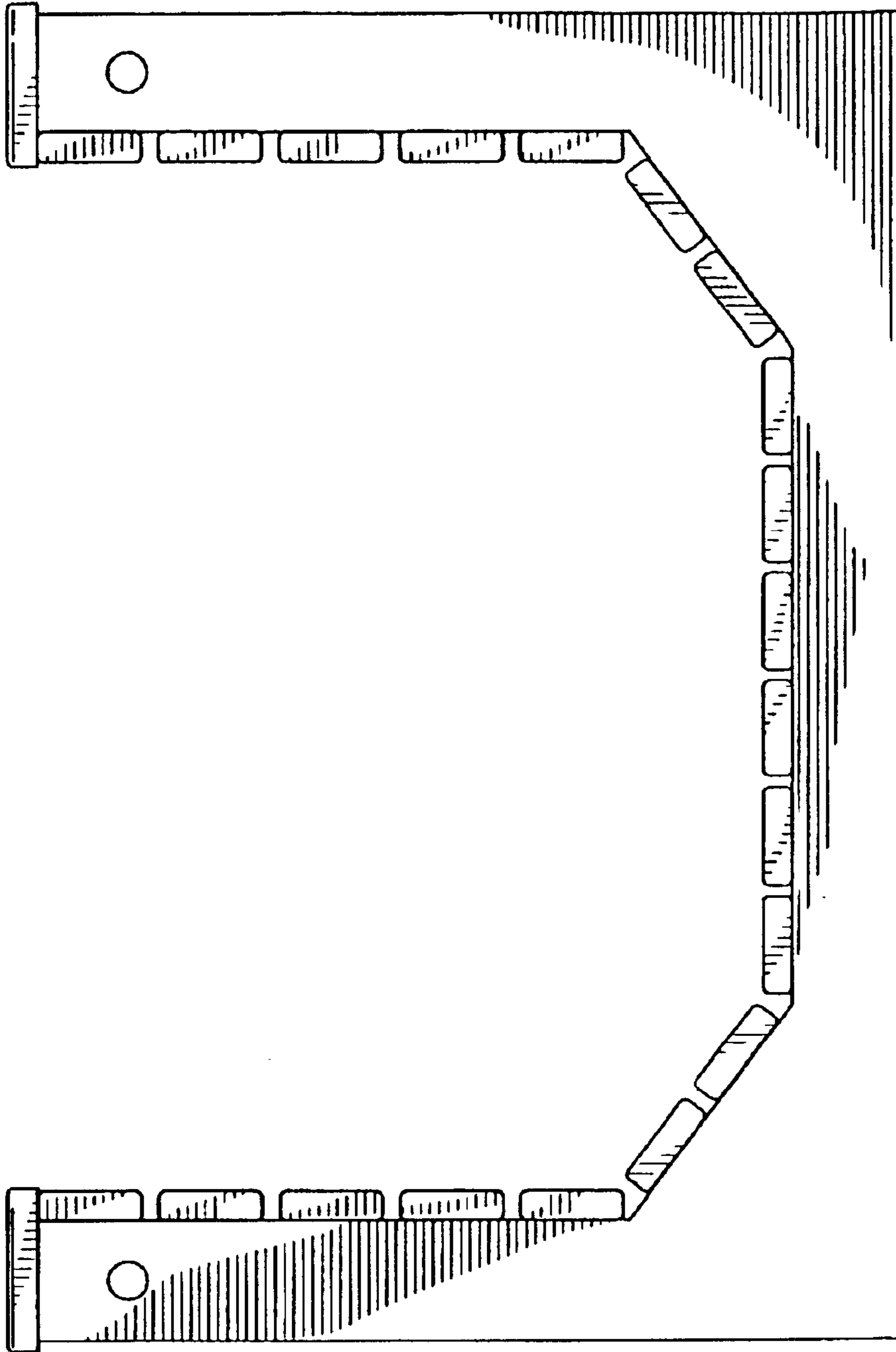


FIG. 7.