



US00D488551S

(12) **United States Design Patent**  
**Shapiro**

(10) **Patent No.:** **US D488,551 S**

(45) **Date of Patent:** **\*\* Apr. 13, 2004**

(54) **PEDESTAL TOWER FAN**

*Primary Examiner*—Lisa Lichtenstein

(74) *Attorney, Agent, or Firm*—RatnerPrestia

(75) **Inventor:** **Barry Shapiro**, Doylestown, PA (US)

(73) **Assignee:** **Lasko Holdings, Inc.**, Wilmington, DE (US)

(57) **CLAIM**

(\*\*) **Term:** **14 Years**

The ornamental design for a pedestal tower fan, as shown and described.

(21) **Appl. No.:** **29/185,358**

**DESCRIPTION**

(22) **Filed:** **Jun. 26, 2003**

(51) **LOC (7) Cl.** ..... **23-04**

FIG. 1 is a right side front perspective view of a fan showing my new design;

(52) **U.S. Cl.** ..... **D23/378**

FIG. 2 is a right side rear perspective view thereof;

(58) **Field of Search** ..... D23/378, 381,  
D23/370, 411; 416/347 R, 346 R

FIG. 3 is a front elevation view thereof;

FIG. 4 is a side elevation view thereof, the opposite side being a mirror image of that shown;

(56) **References Cited**

FIG. 5 is a rear elevation view thereof; and,

**U.S. PATENT DOCUMENTS**

FIG. 6 is a top elevation view thereof.

D322,669 S \* 12/1991 Yamamoto et al. .... D23/378

The broken line showing of environmental structure in FIGS. 1–6 is for illustrative purposes only and forms no part of the claimed design.

D389,567 S \* 1/1998 Gudefin ..... D23/378

D423,093 S \* 4/2000 Fok ..... D23/378

D479,593 S \* 9/2003 Fok ..... D23/378

\* cited by examiner

**1 Claim, 6 Drawing Sheets**

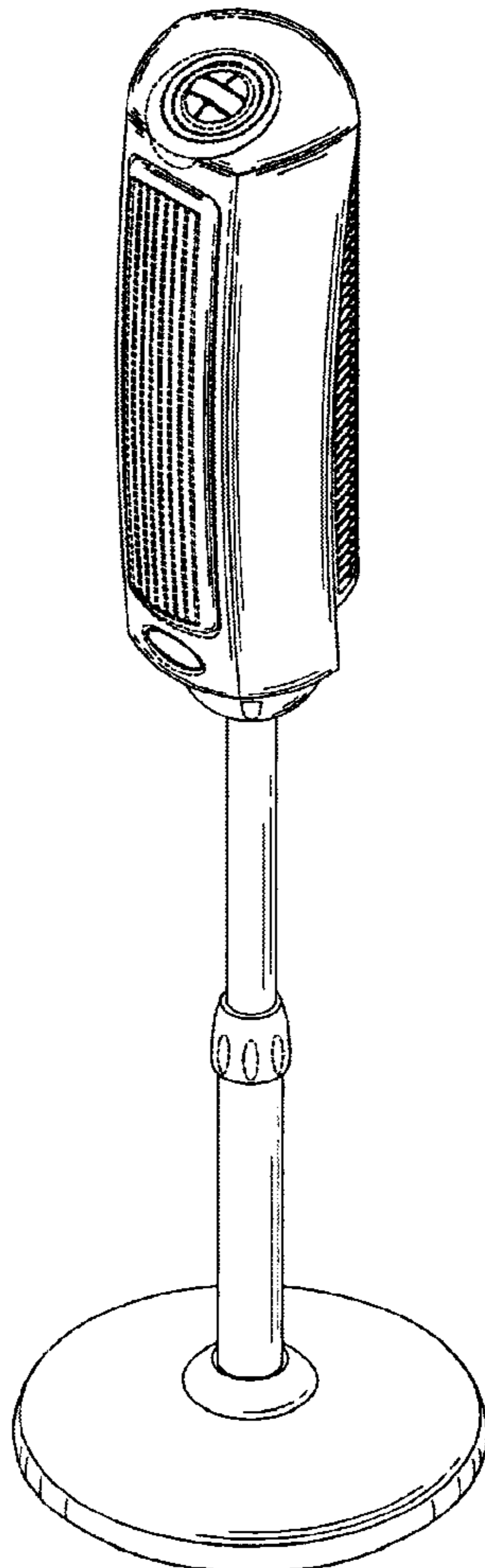
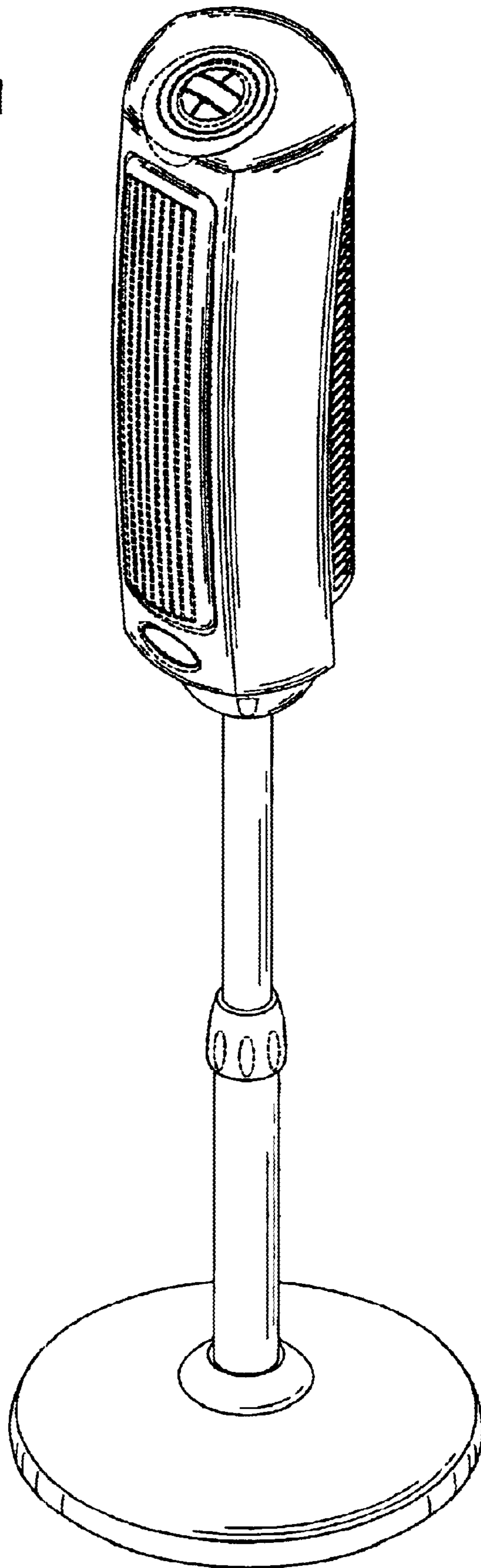


FIG. 1



**FIG. 2**

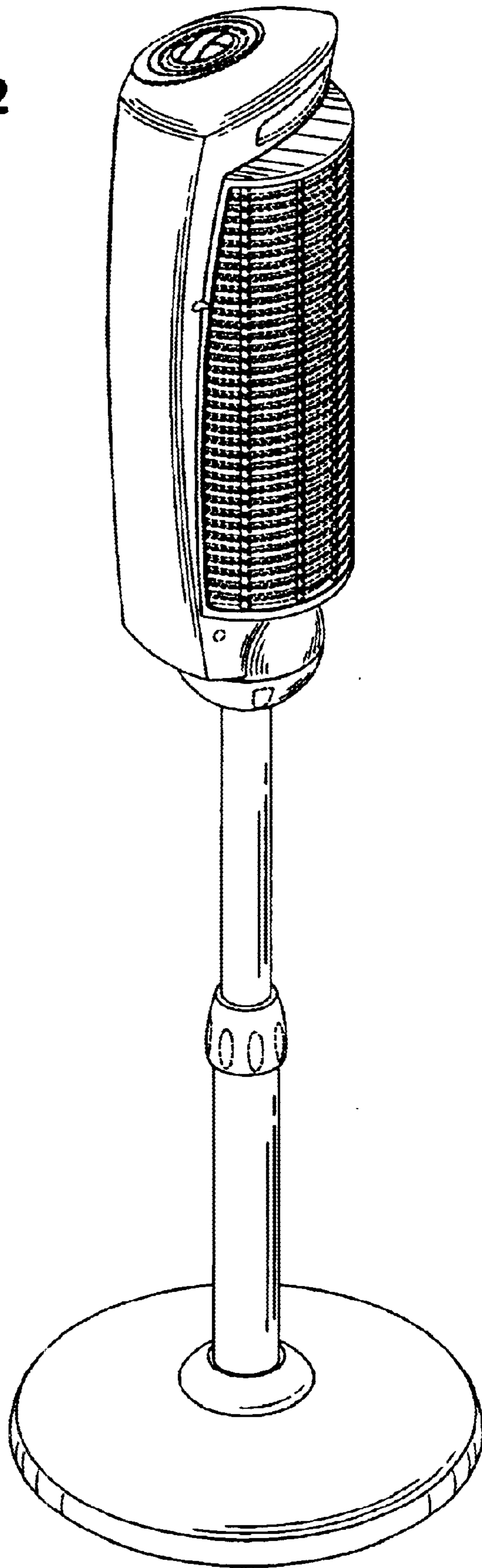


FIG. 3

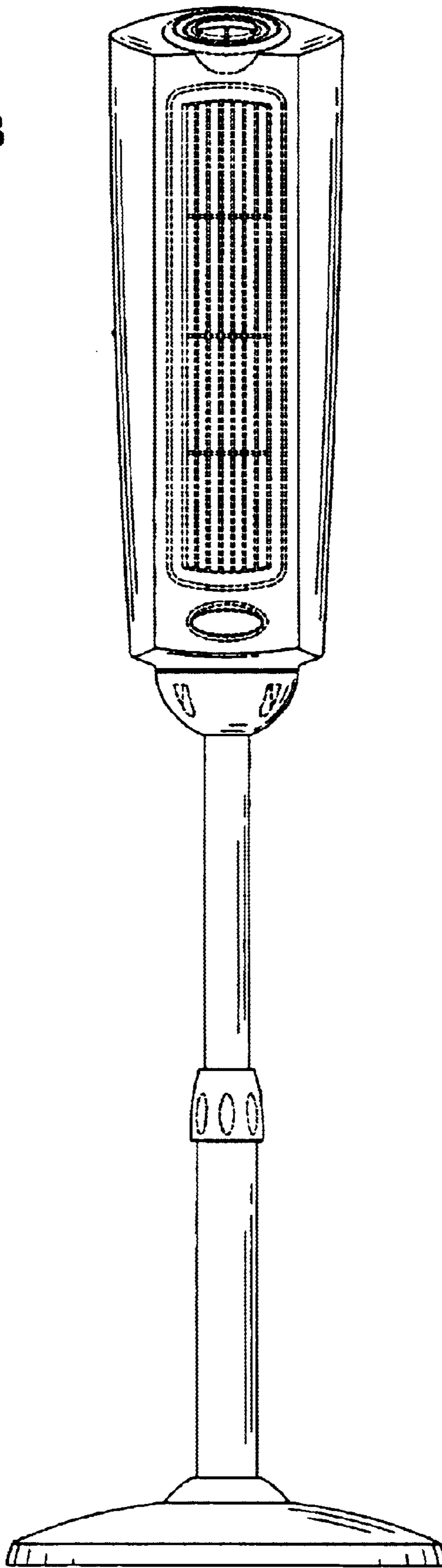


FIG. 4

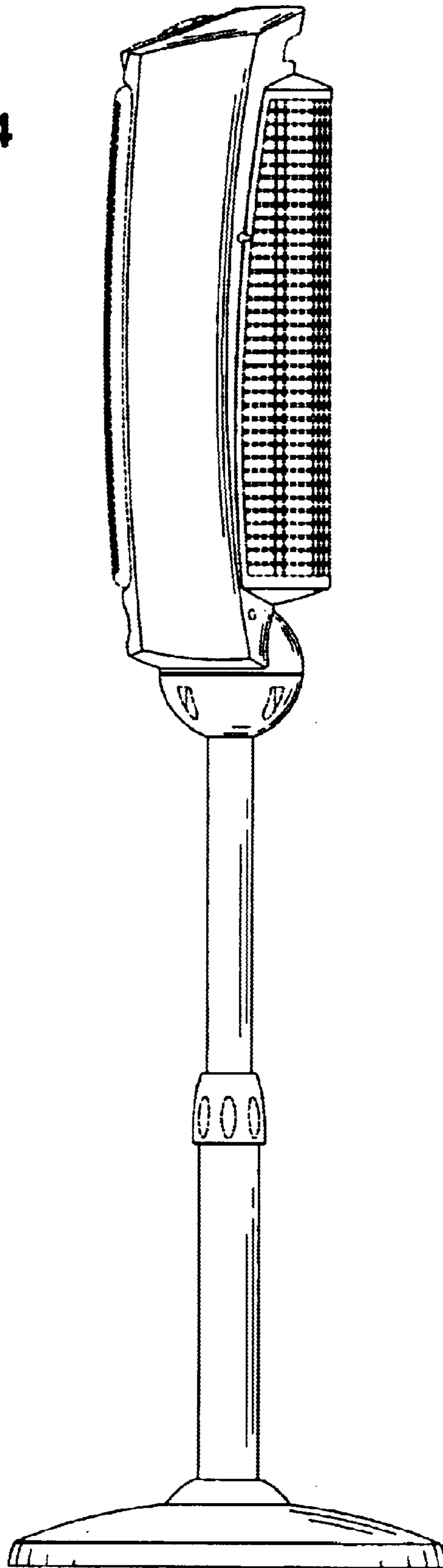
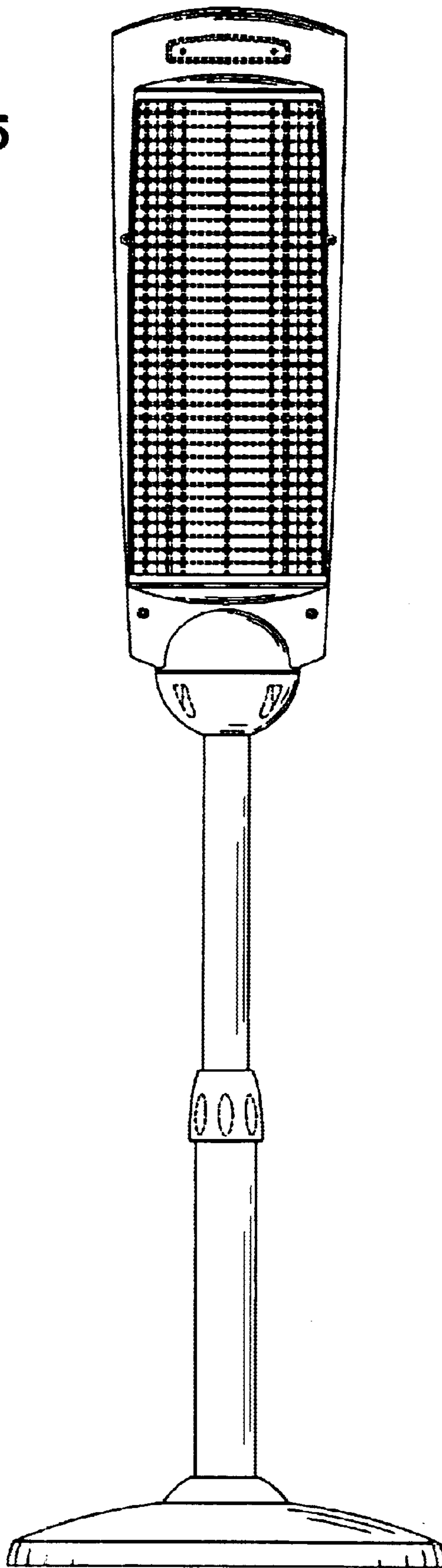
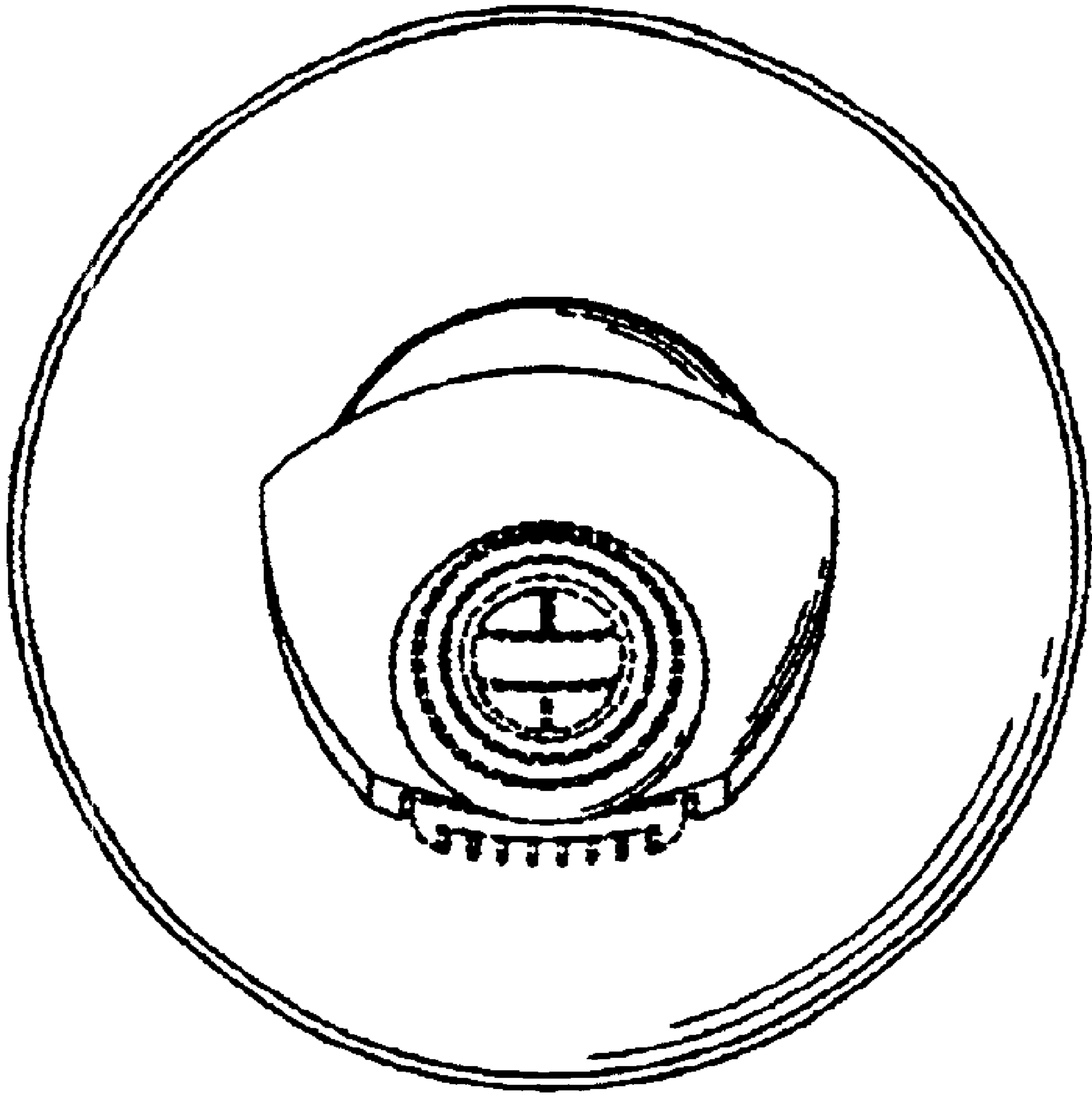


FIG. 5





**FIG. 6**