



US00D488547S

(12) **United States Design Patent**  
**McKenna**

(10) **Patent No.:** **US D488,547 S**

(45) **Date of Patent:** **\*\* Apr. 13, 2004**

(54) **DEODORIZING APPARATUS**

(75) Inventor: **Patrick L. McKenna**, Goshen, IN (US)

(73) Assignee: **Sports-O-Zone USA, LLC**, Goshen, IN (US)

(\*\*) Term: **14 Years**

(21) Appl. No.: **29/180,975**

(22) Filed: **May 2, 2003**

(51) **LOC (7) Cl.** ..... **23-04**

(52) **U.S. Cl.** ..... **D23/366**

(58) **Field of Search** ..... **D23/366-369;**  
**422/122; 239/34, 55-60; 261/DIG. 65**

(56) **References Cited**

**U.S. PATENT DOCUMENTS**

D363,772 S \* 10/1995 Kopp et al. .... D23/366

D456,887 S \* 5/2002 Zlotnik ..... D23/366

\* cited by examiner

*Primary Examiner*—Lisa Lichtenstein

(74) *Attorney, Agent, or Firm*—Woodard, Emhardt, Moriarty, McNett & Henry LLP

(57) **CLAIM**

The ornamental design for a deodorizing apparatus, as shown and described.

**DESCRIPTION**

FIG. 1 is a perspective view of the deodorizing apparatus of the present invention.

FIG. 2 is a front elevation.

FIG. 3 is a side elevation taken from the left side as viewed in FIG. 2.

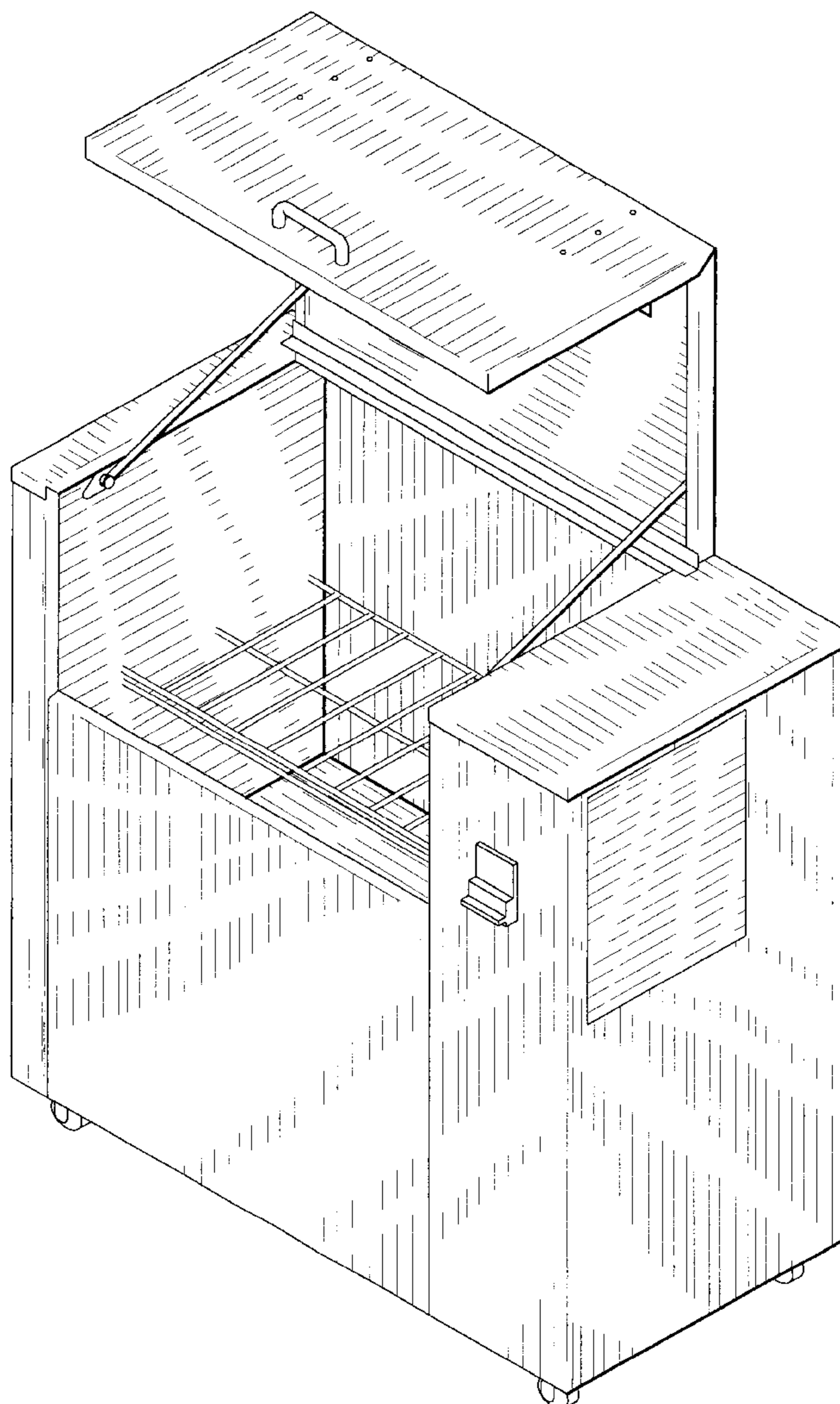
FIG. 4 is a side elevation taken from the right side as viewed in FIG. 2.

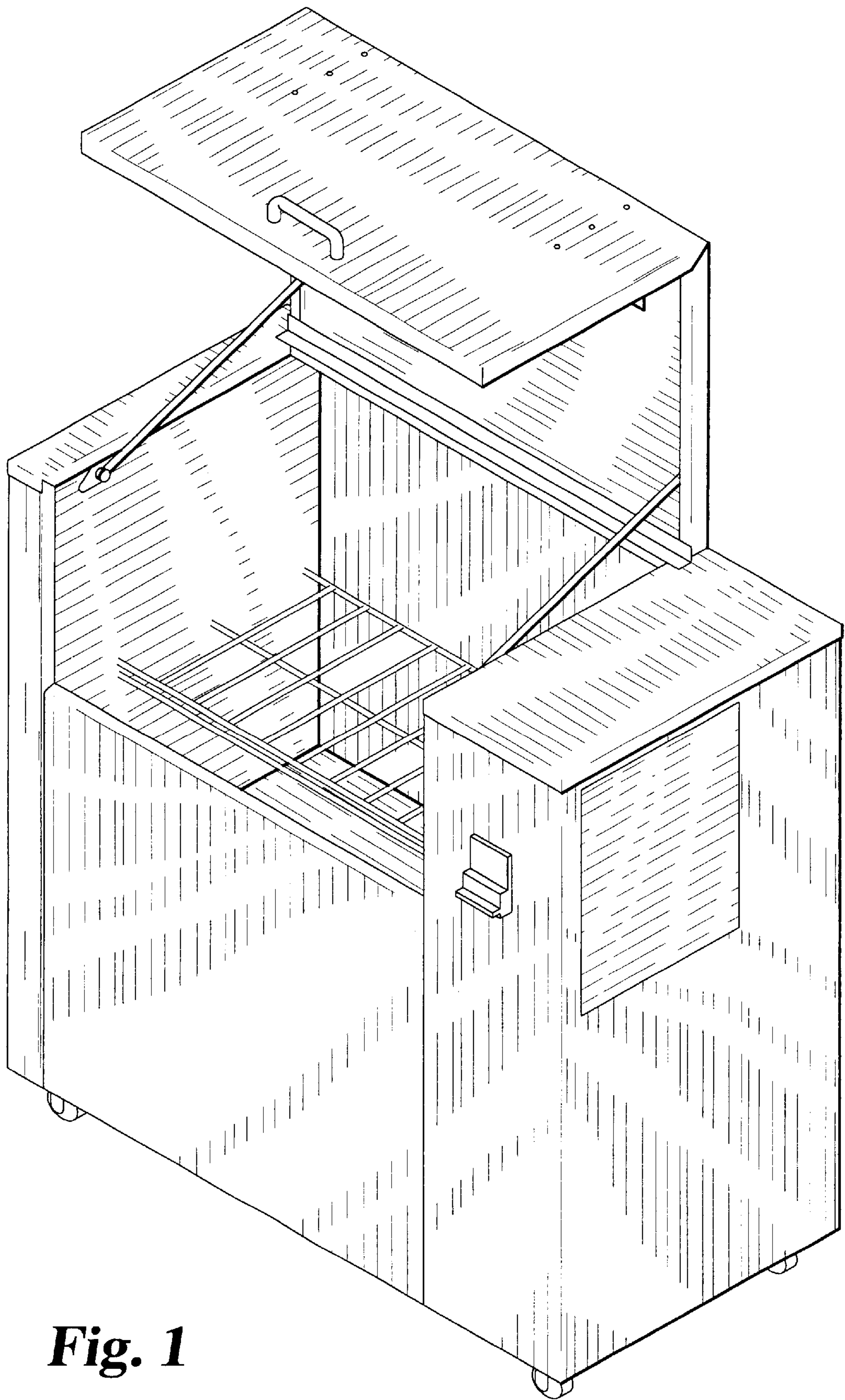
FIG. 5 is a rear elevation.

FIG. 6 is a top plan view; and,

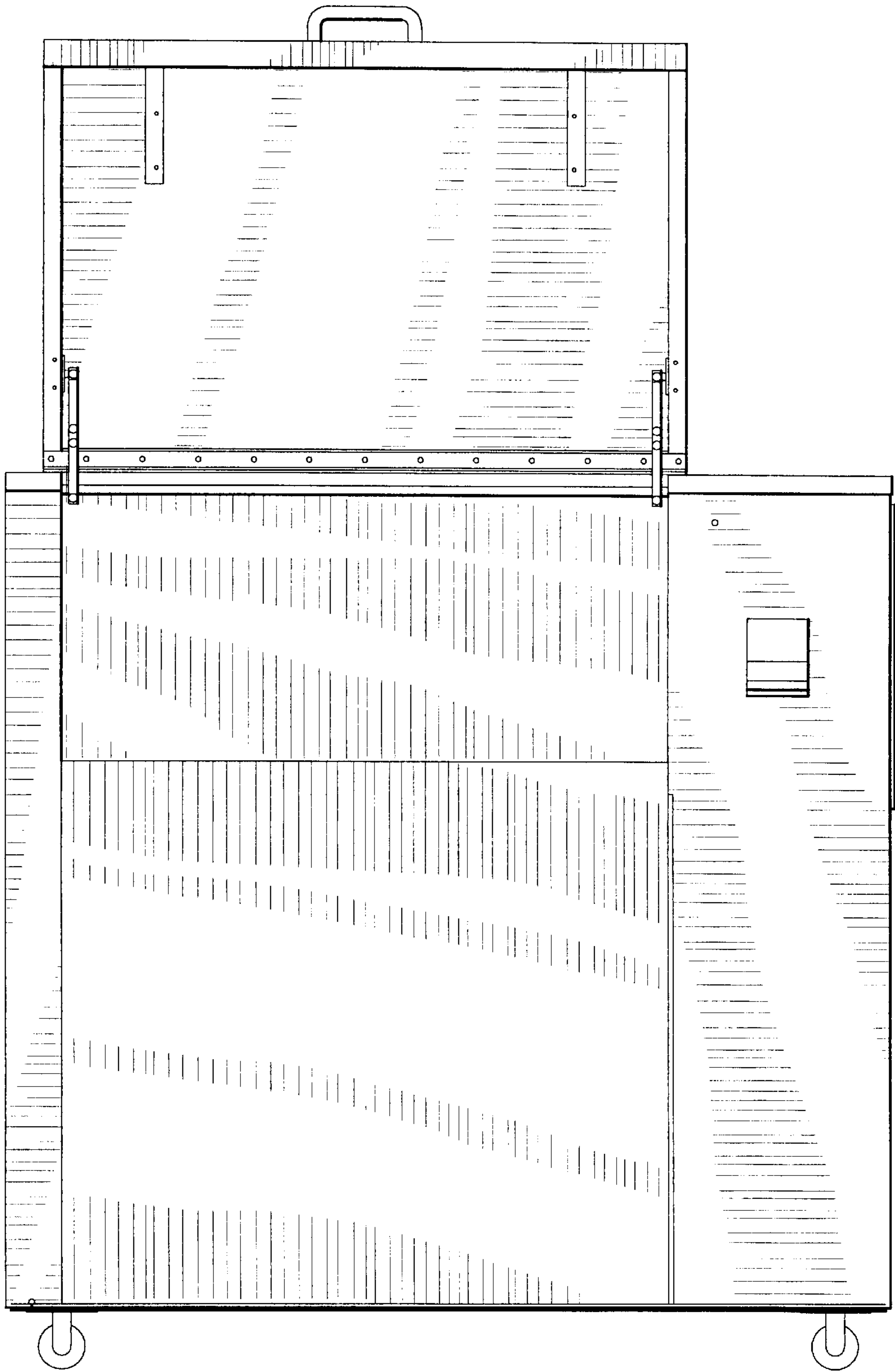
FIG. 7 is a bottom plan view.

**1 Claim, 7 Drawing Sheets**

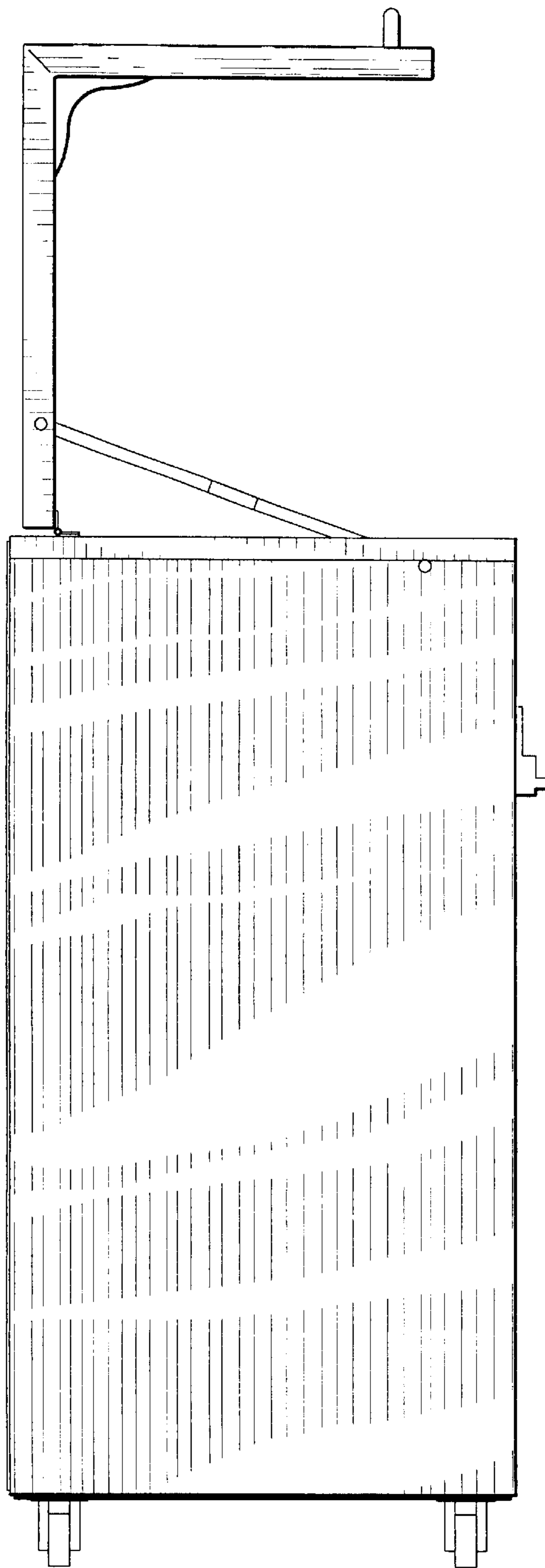




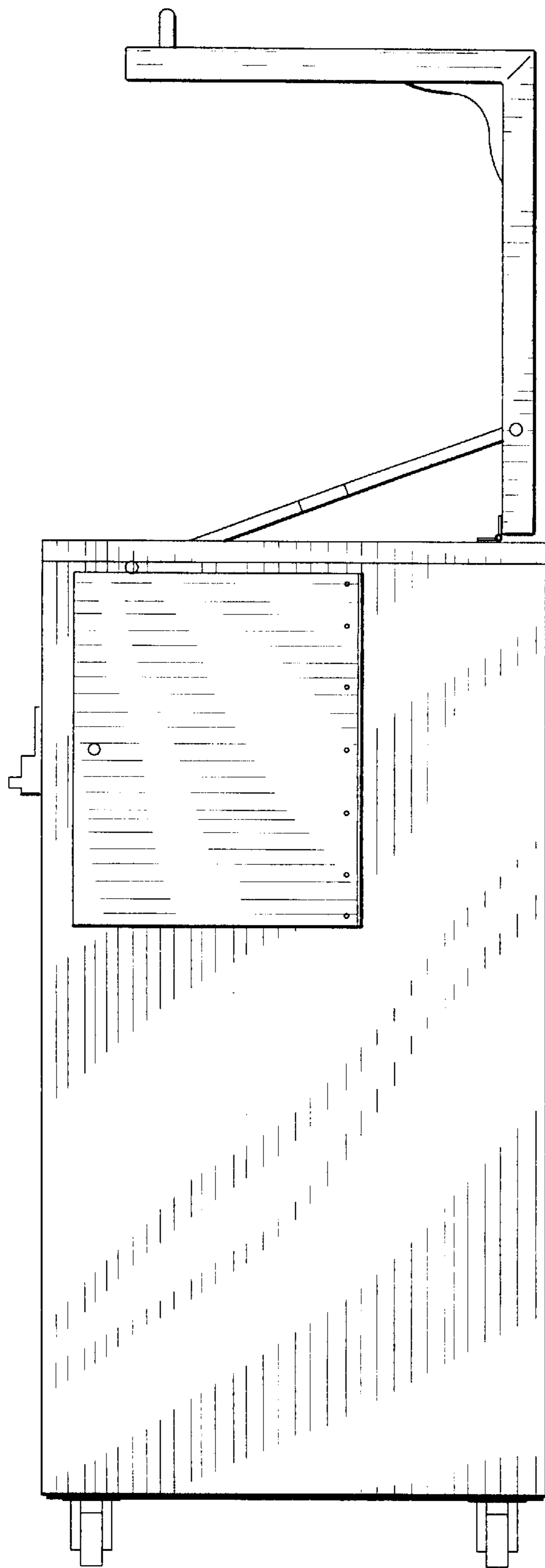
**Fig. 1**



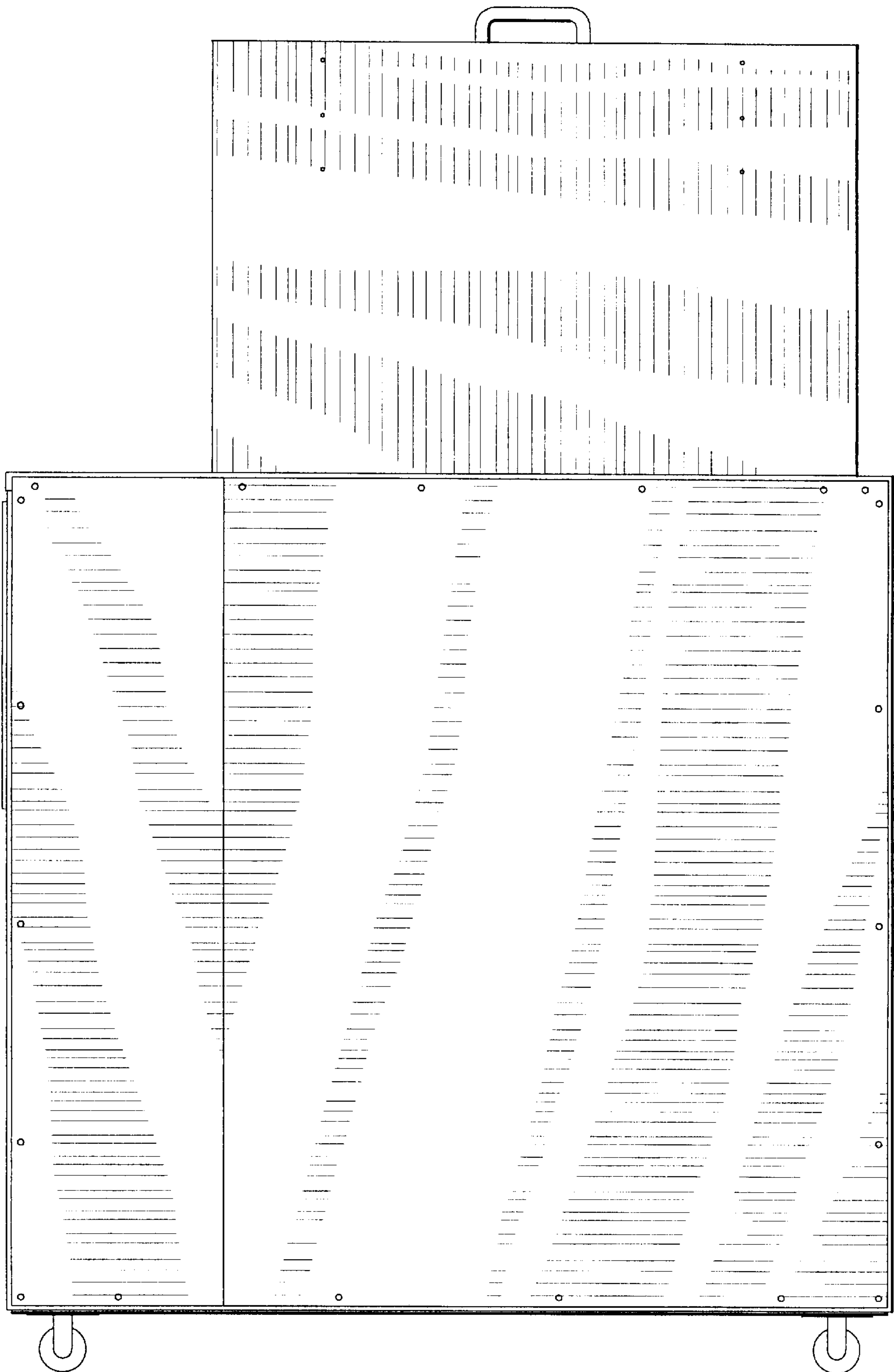
**Fig. 2**



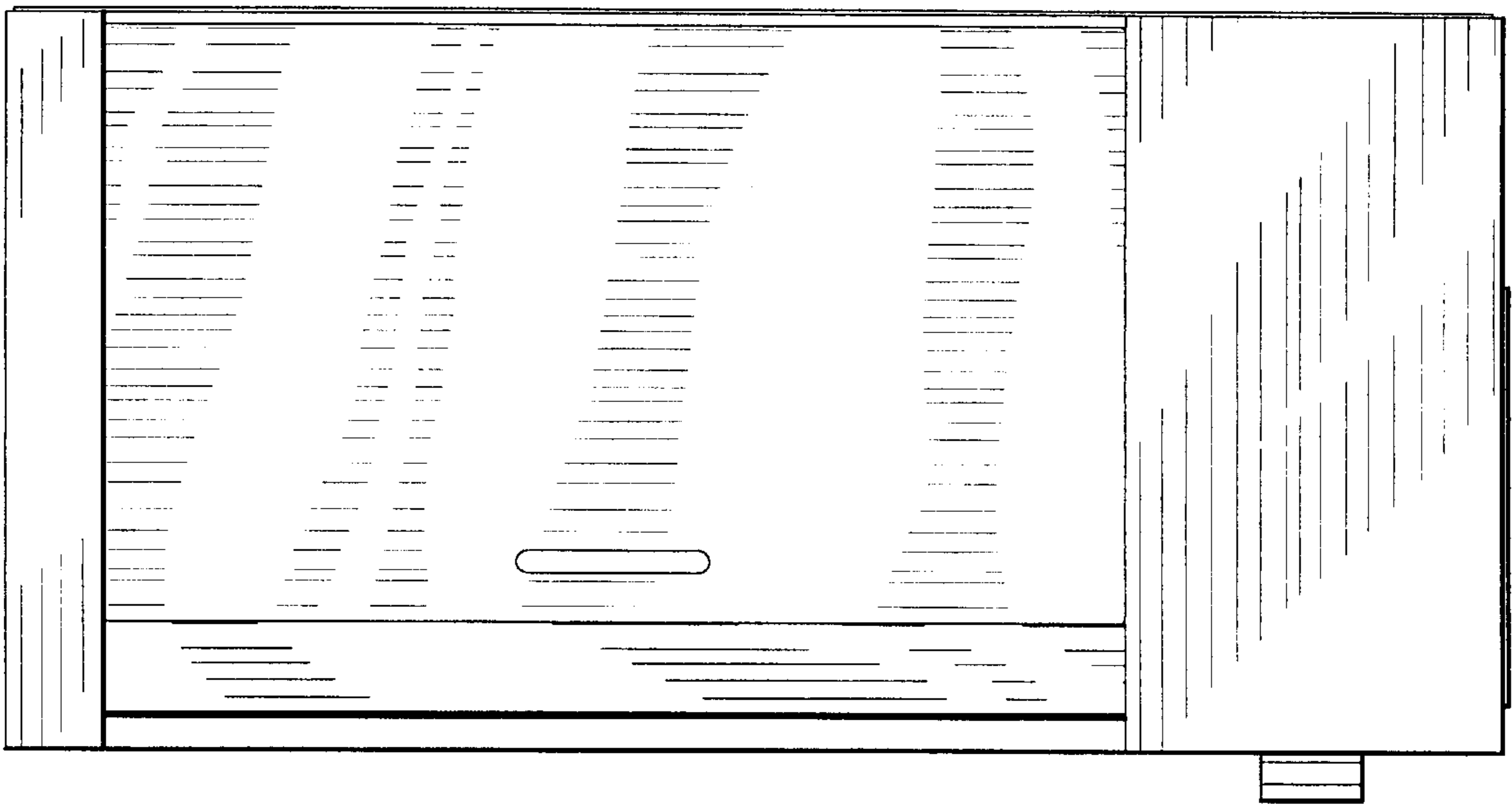
**Fig. 3**



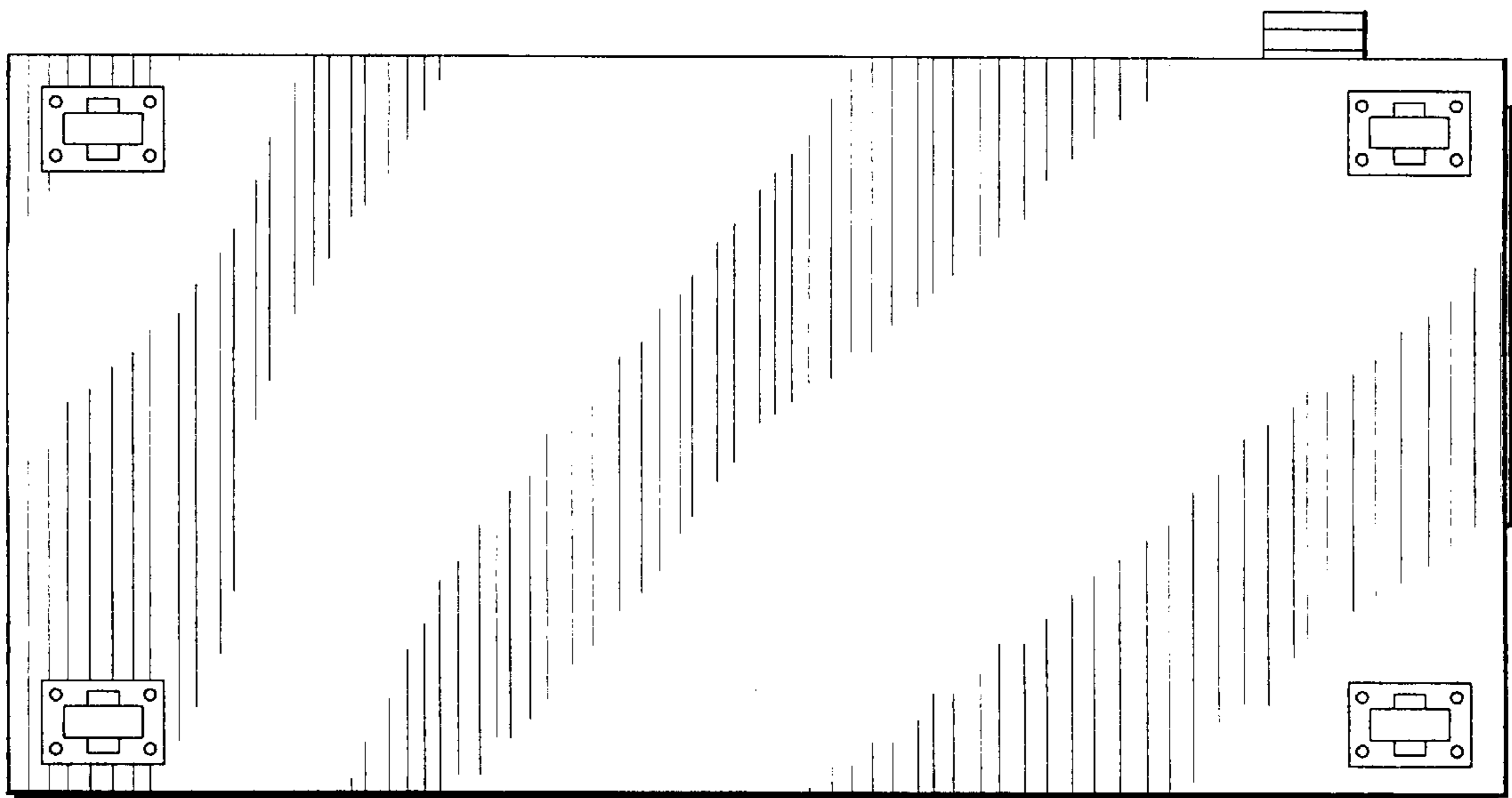
**Fig. 4**



**Fig. 5**



**Fig. 6**



**Fig. 7**