



US00D488545S

(12) **United States Design Patent**
Takamatu

(10) **Patent No.:** **US D488,545 S**

(45) **Date of Patent:** **** Apr. 13, 2004**

(54) **PIPE**

D475,439 S * 6/2003 Lin D23/266

(76) Inventor: **Tutomu Takamatu**, 1749-12,
Yazuka-machi, Soka-shi, Saitama-ken
(JP)

* cited by examiner

(**) Term: **14 Years**

Primary Examiner—Robin V. Taylor
(74) *Attorney, Agent, or Firm*—Wenderoth, Lind & Ponack,
L.L.P.

(21) Appl. No.: **29/180,697**

(57) **CLAIM**

(22) Filed: **Apr. 30, 2003**

The ornamental design for pipe, as shown.

(51) **LOC (7) Cl.** **23-01**

DESCRIPTION

(52) **U.S. Cl.** **D23/266**

FIG. 1 is a perspective view taken from the top, front and left side of a pipe showing my new design;
FIG. 2 is a front elevational view thereof;
FIG. 3 is a top plan view thereof;
FIG. 4 is a bottom plan view thereof;
FIG. 5 is a right side elevational view thereof; the left side being a mirror image; and,
FIG. 6 is a sectional view taken along lines A—A of FIG. 2.

(58) **Field of Search** D23/266; 138/118.1,
138/118; 285/124.1, 124.5

(56) **References Cited**

U.S. PATENT DOCUMENTS

2,798,745	A	*	7/1957	Nelson	285/148.13
3,004,330	A	*	10/1961	Wilkins	29/890.053
D375,600	S	*	11/1996	Hirano et al.	D34/27
D443,041	S	*	5/2001	Uhlenkott	D23/266

1 Claim, 2 Drawing Sheets

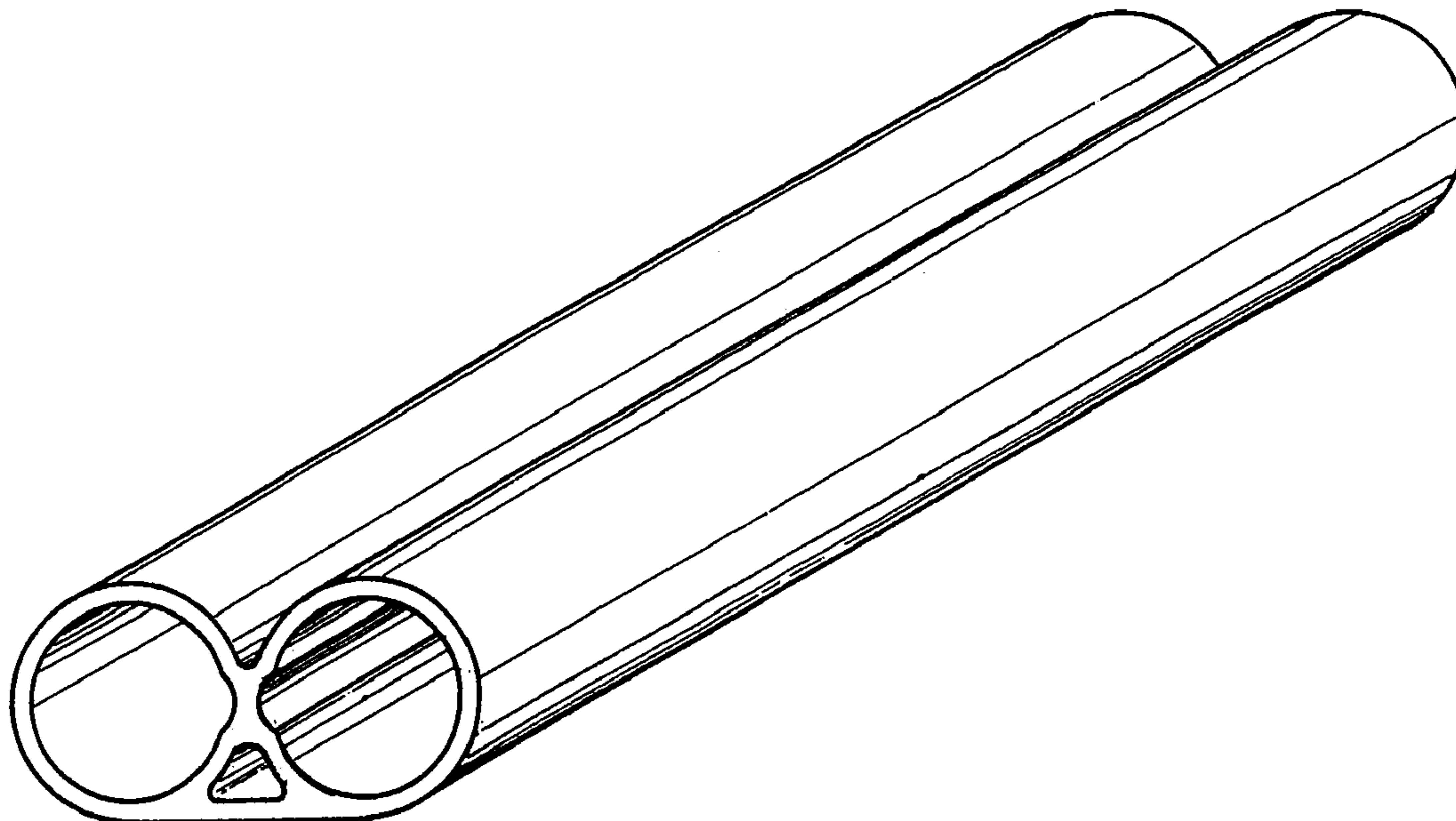


FIG. 1

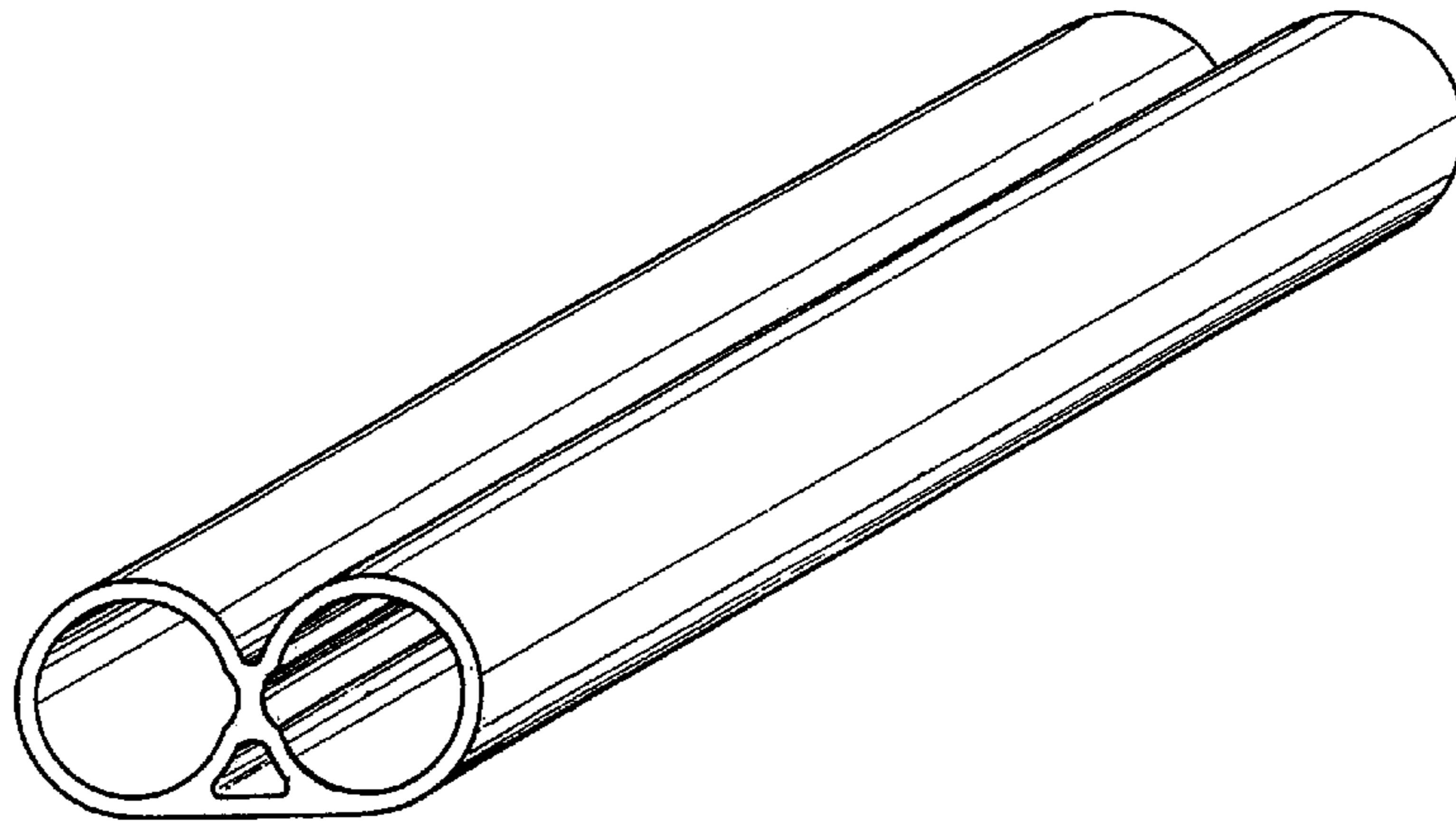


FIG. 2

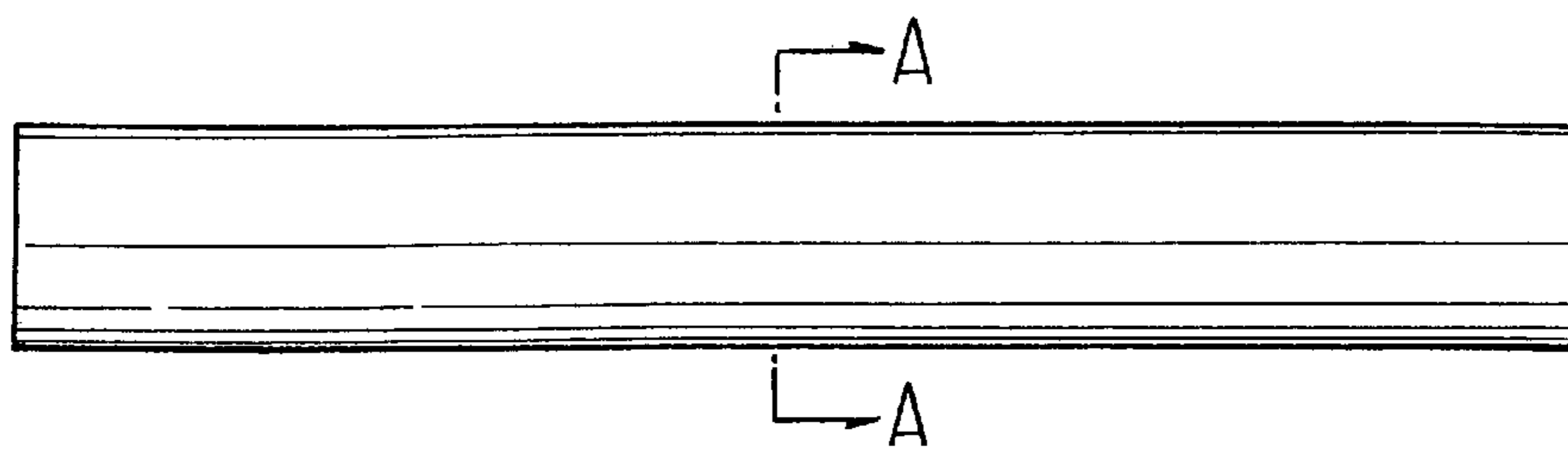


FIG. 3

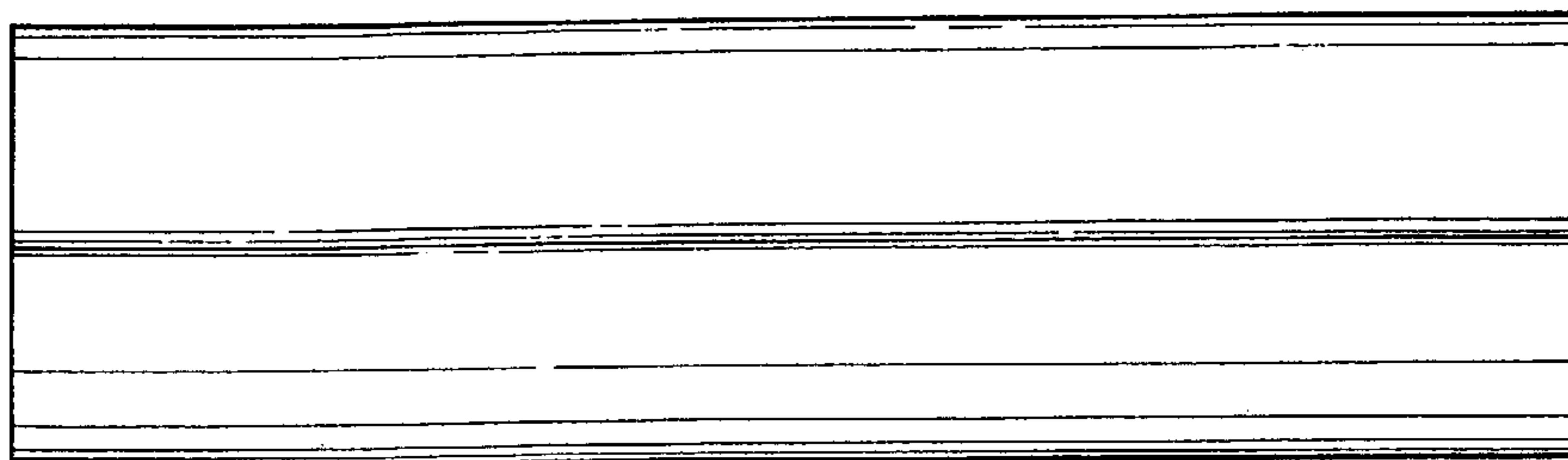


FIG. 4

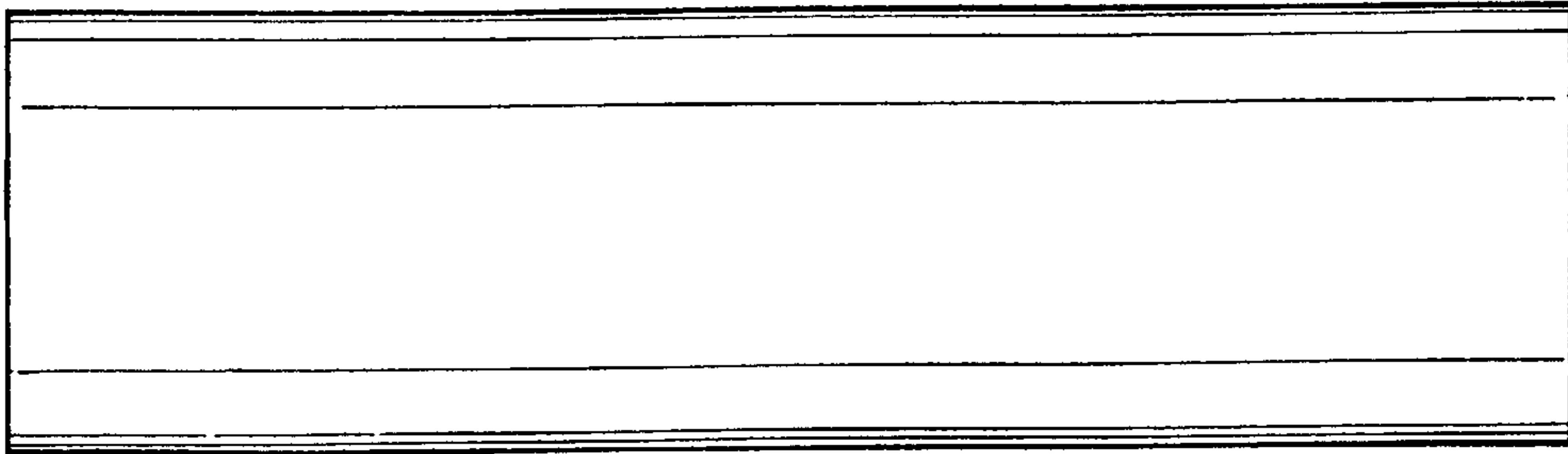


FIG. 5

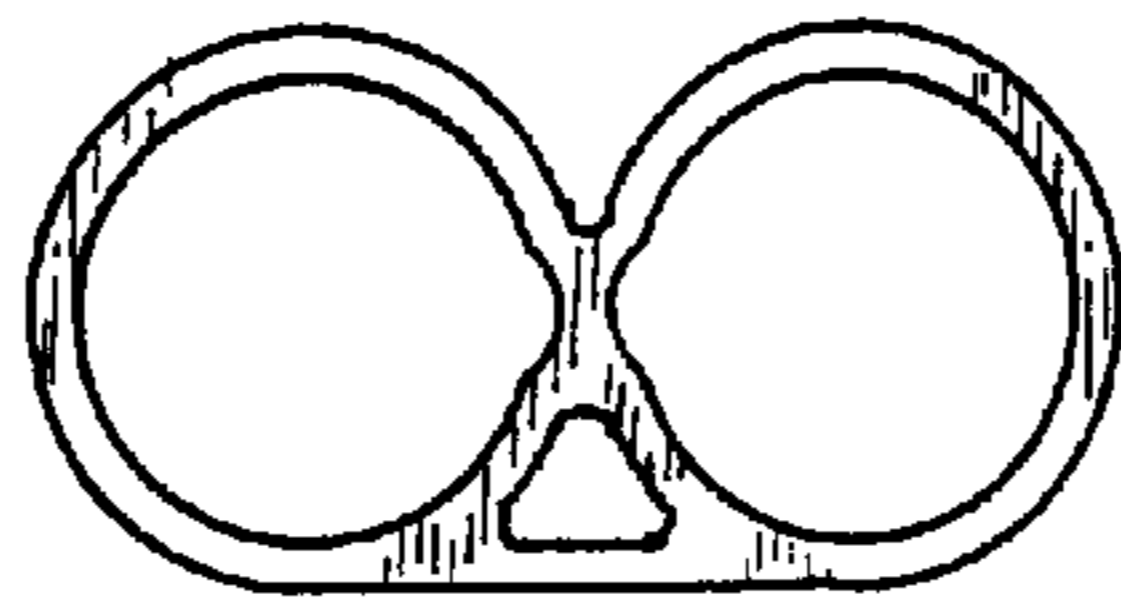


FIG. 6

