



US00D488543S

(12) **United States Design Patent**
Fulcher et al.

(10) **Patent No.:** **US D488,543 S**

(45) **Date of Patent:** **** Apr. 13, 2004**

(54) **MANIFOLD FOR SELECTIVELY
DISPERSING MULTIPLE FLUID STREAMS**

(75) **Inventors:** **Robert A. Fulcher**, Grand Junction,
CO (US); **Allan E. Beavers**, Grand
Junction, CO (US)

(73) **Assignee:** **MITI Manufacturing Co., Inc.**, Grand
Junction, CO (US)

(**) **Term:** **14 Years**

(21) **Appl. No.:** **29/180,806**

(22) **Filed:** **Apr. 29, 2003**

(51) **LOC (7) Cl.** **23-01**

(52) **U.S. Cl.** **D23/259; D23/213**

(58) **Field of Search** **D23/213, 259;**
239/565, 566, 550, 547

(56) **References Cited**

U.S. PATENT DOCUMENTS

D416,074 S	*	11/1999	Mogg	D23/214
D441,049 S	*	4/2001	Cavanaugh	D23/213
D453,953 S	*	2/2002	Pearl	D23/213
D465,259 S	*	11/2002	Pearl et al.	D23/213

OTHER PUBLICATIONS

Miti Manufacturing Website, http://www.mitico.com/decon_manifold1_.htm, Multi Manifold, Apr. 8, 2001.

* cited by examiner

Primary Examiner—Robin V. Taylor

(74) *Attorney, Agent, or Firm*—Sheridan Ross P.C.

(57) **CLAIM**

The ornamental design for a manifold for selectively dispersing multiple fluid streams, as shown and described.

DESCRIPTION

FIG. 1 is a perspective view of a manifold for selectively dispersing multiple fluid streams, the broken lines showing environment for illustrative purposes only and forming no part of the claimed design;

FIG. 2 is a left elevation view of the invention shown in FIG. 1;

FIG. 3 is a right elevation view of the invention shown in FIG. 1;

FIG. 4 is a front elevation view of the invention shown in FIG. 1;

FIG. 5 is a rear elevation view of the invention shown in FIG. 1;

FIG. 6 is a top plan view of the invention shown in FIG. 1;

FIG. 7 is a bottom plan view of the invention shown in FIG. 1;

FIG. 8 is a perspective view of an alternate embodiment of the invention shown in FIG. 1, the only distinction being the omission of three ports for selectively dispersing fluid streams, the broken lines showing environment for illustrative purposes only and forming no part of the claimed design;

FIG. 9 is a left elevation view of the invention shown in FIG. 8;

FIG. 10 is a right elevation view of the invention shown in FIG. 8;

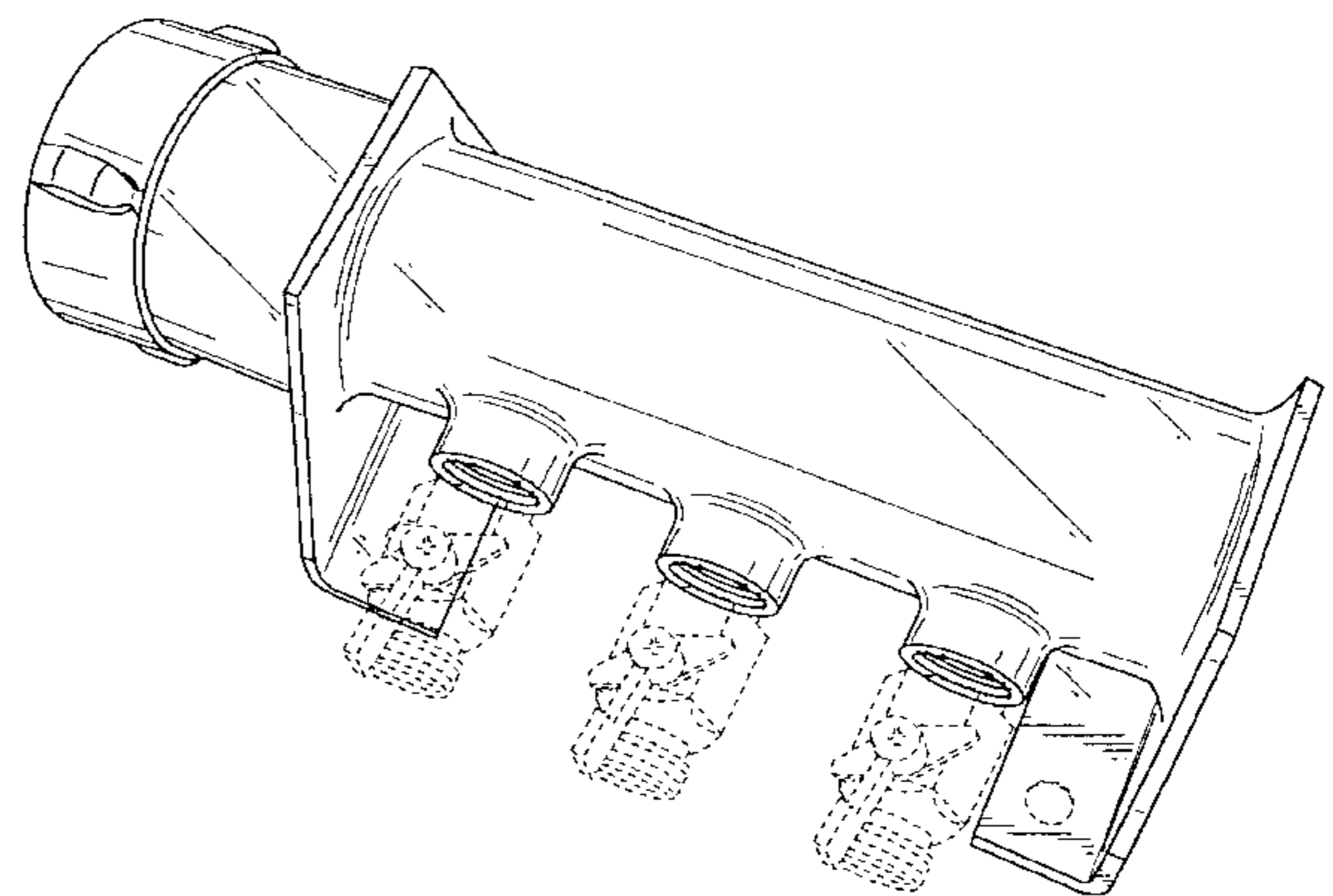
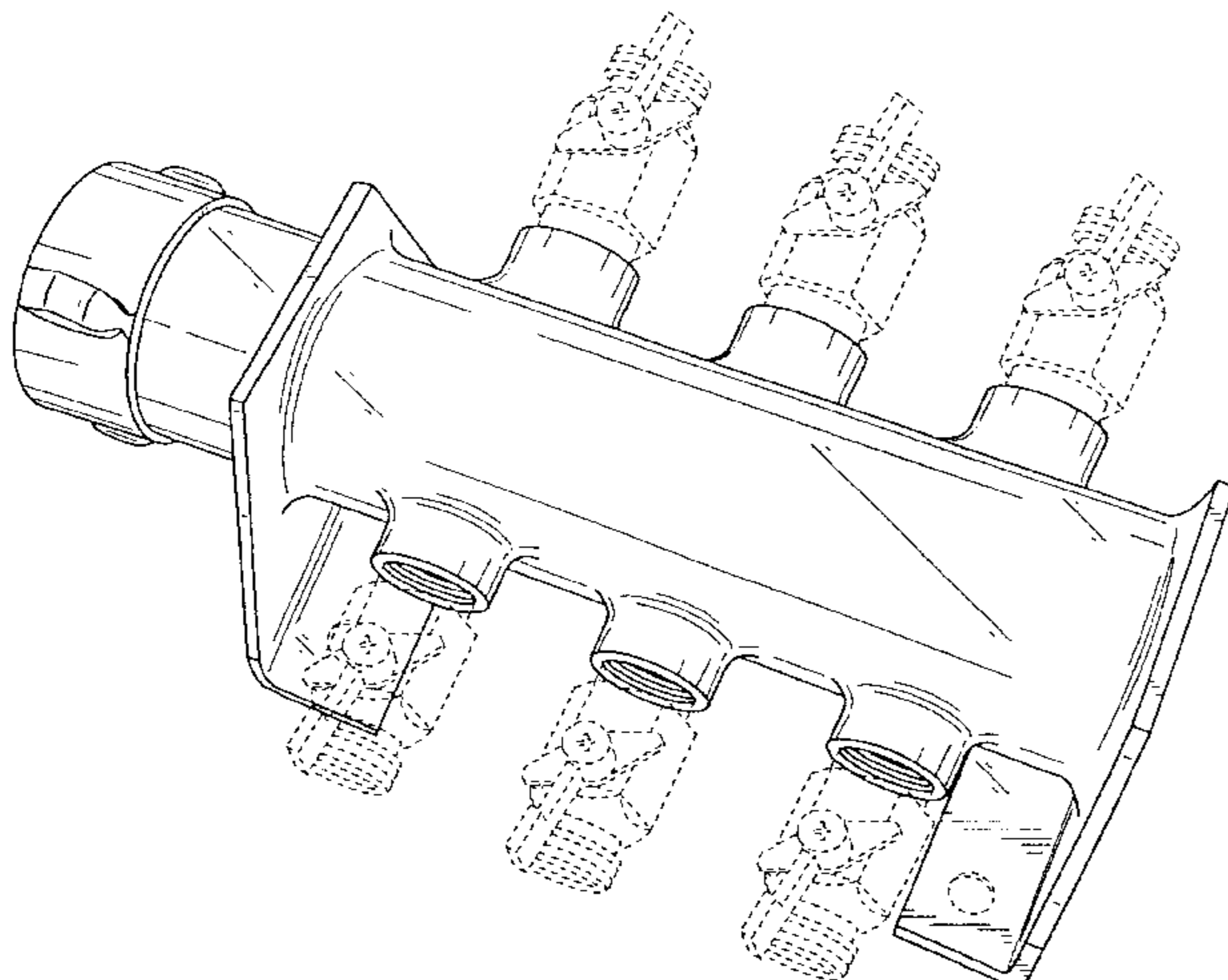
FIG. 11 is a front elevation view of the invention shown in FIG. 8;

FIG. 12 is a rear elevation view of the invention shown in FIG. 8;

FIG. 13 is a top plan view of the invention shown in FIG. 8; and,

FIG. 14 is a bottom plan view of the invention shown in FIG. 8.

1 Claim, 8 Drawing Sheets



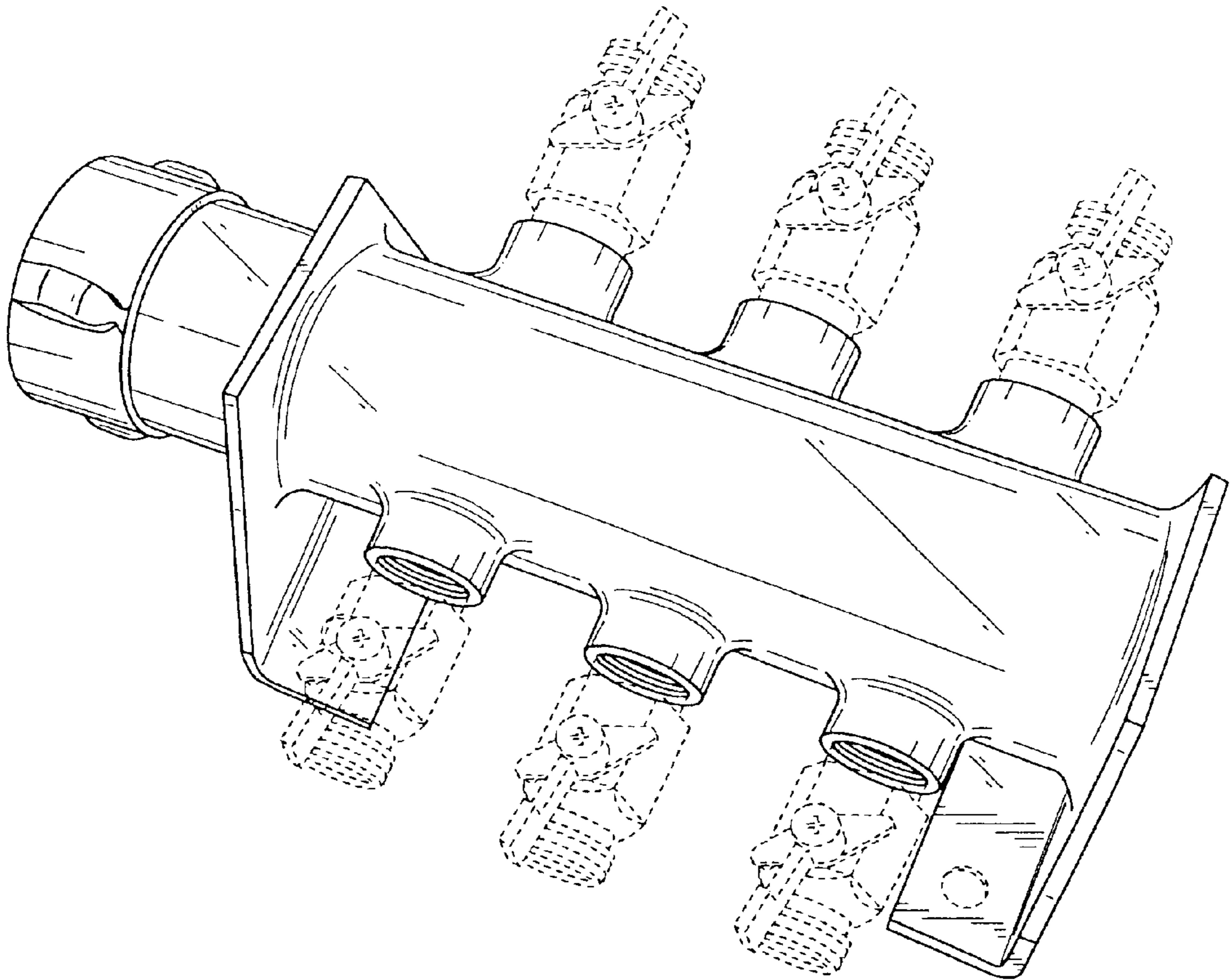


FIG. 1

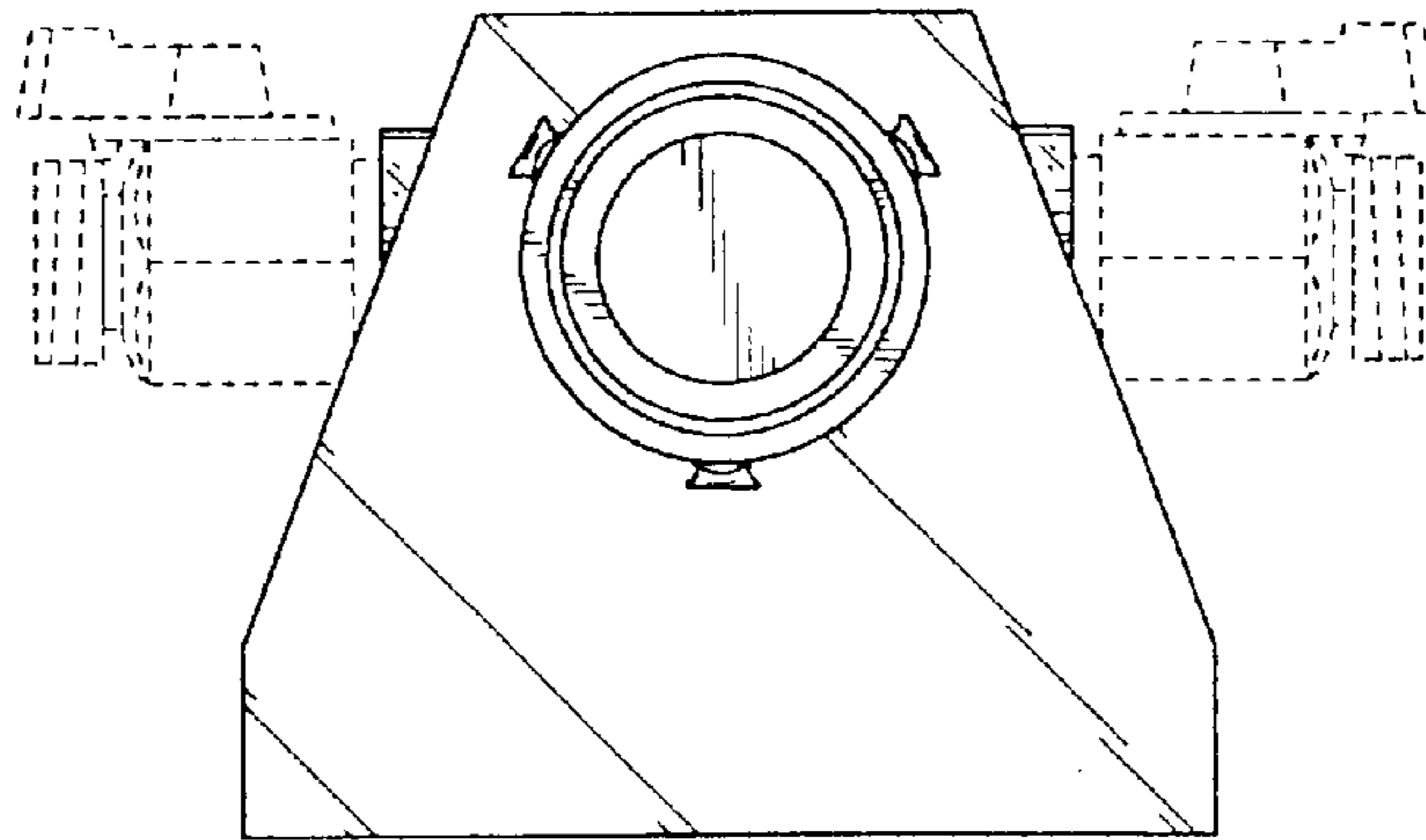


FIG. 2

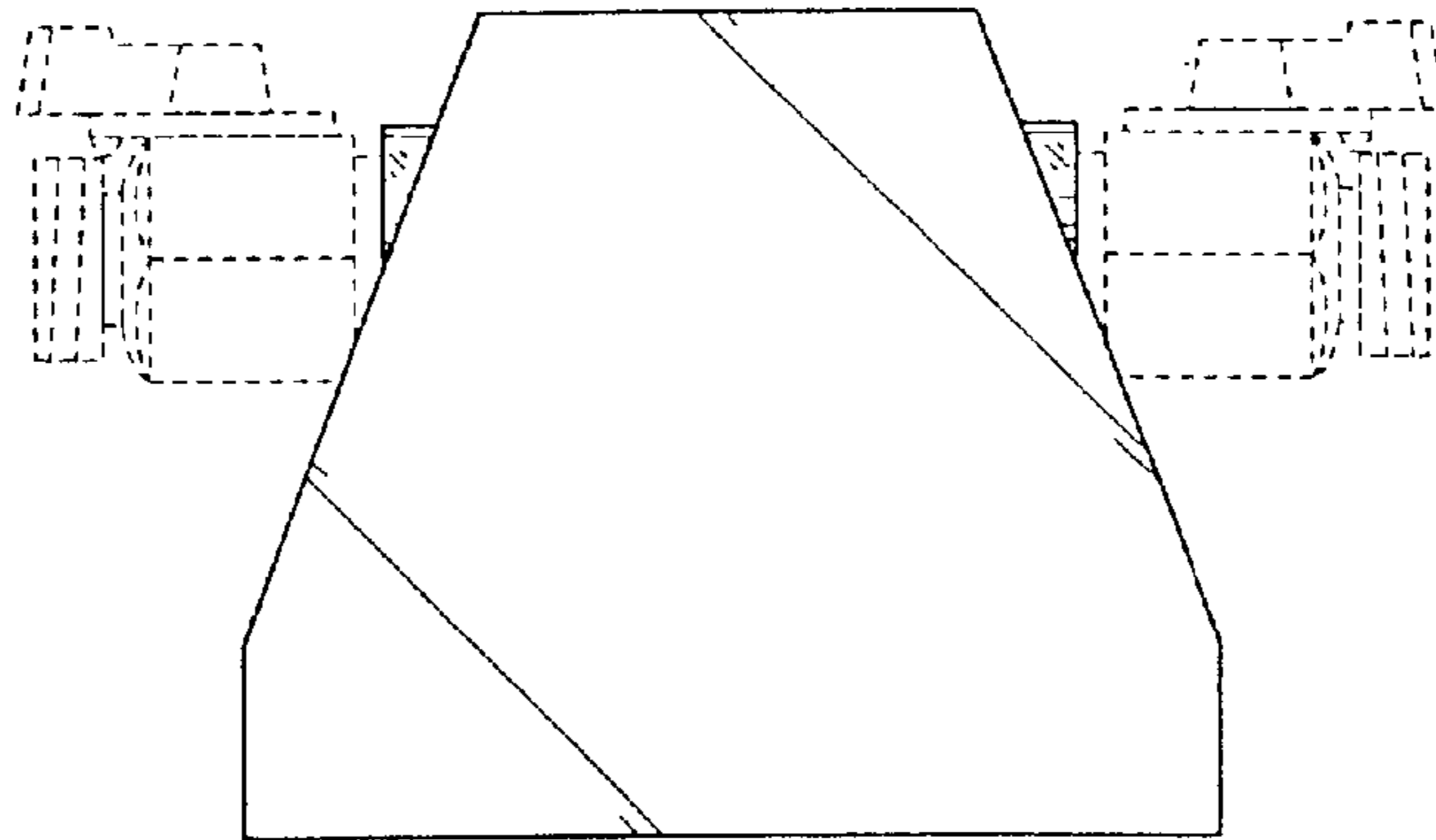


FIG. 3

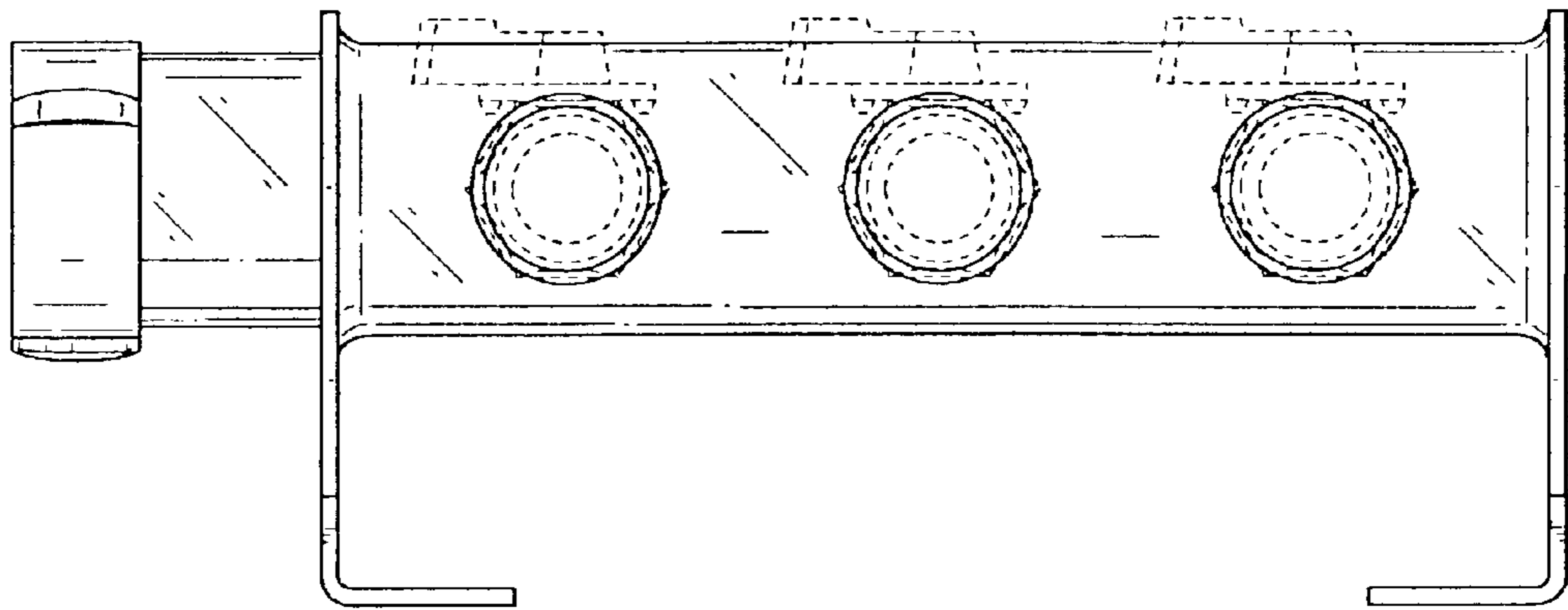


FIG. 4

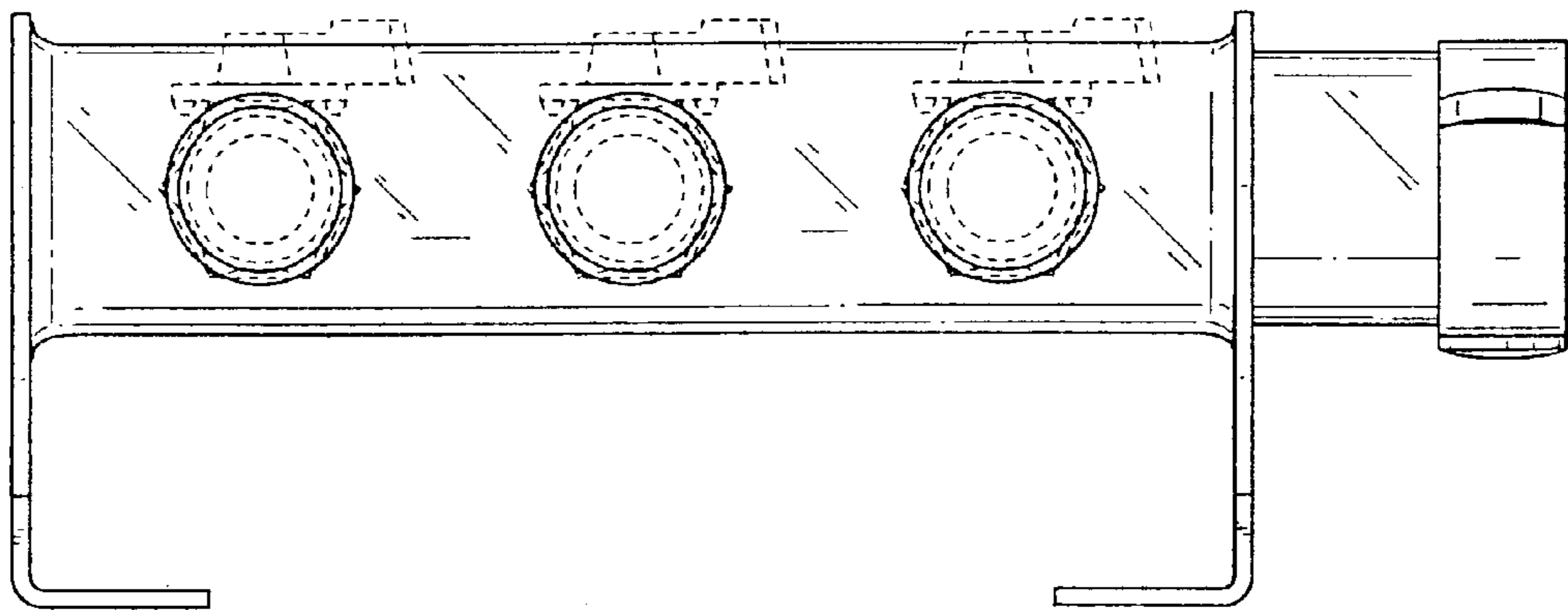


FIG. 5

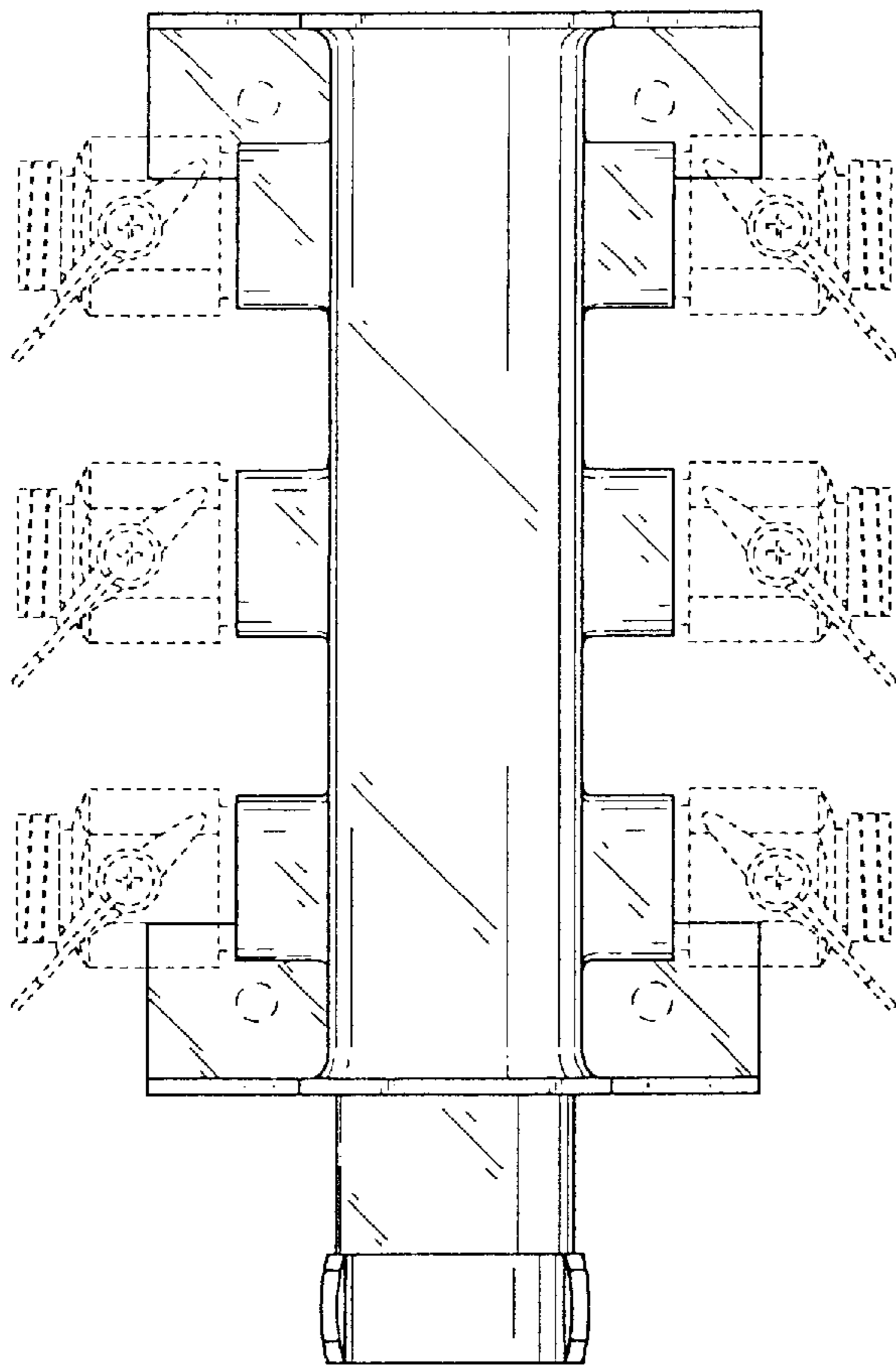


FIG. 6

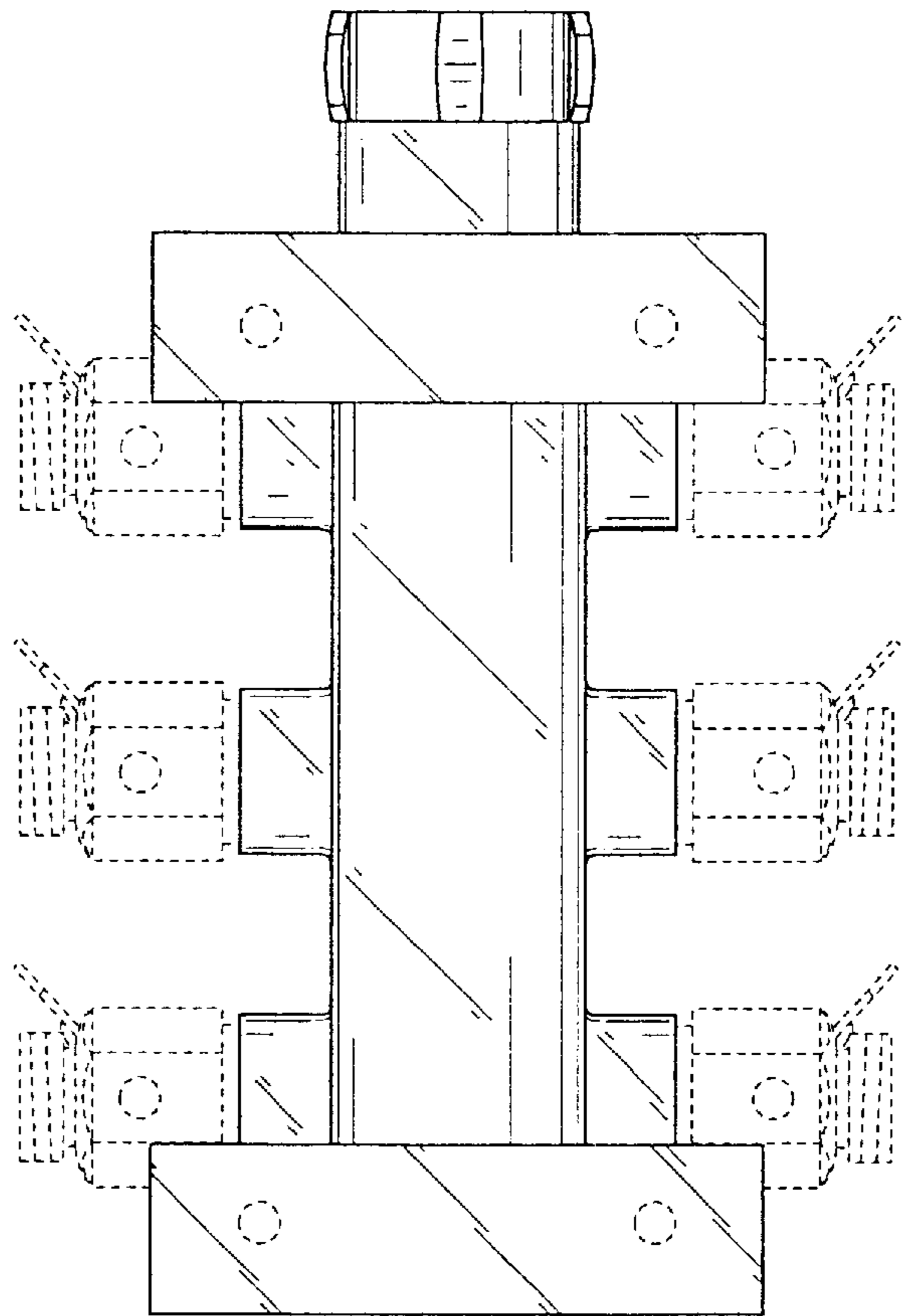


FIG. 7

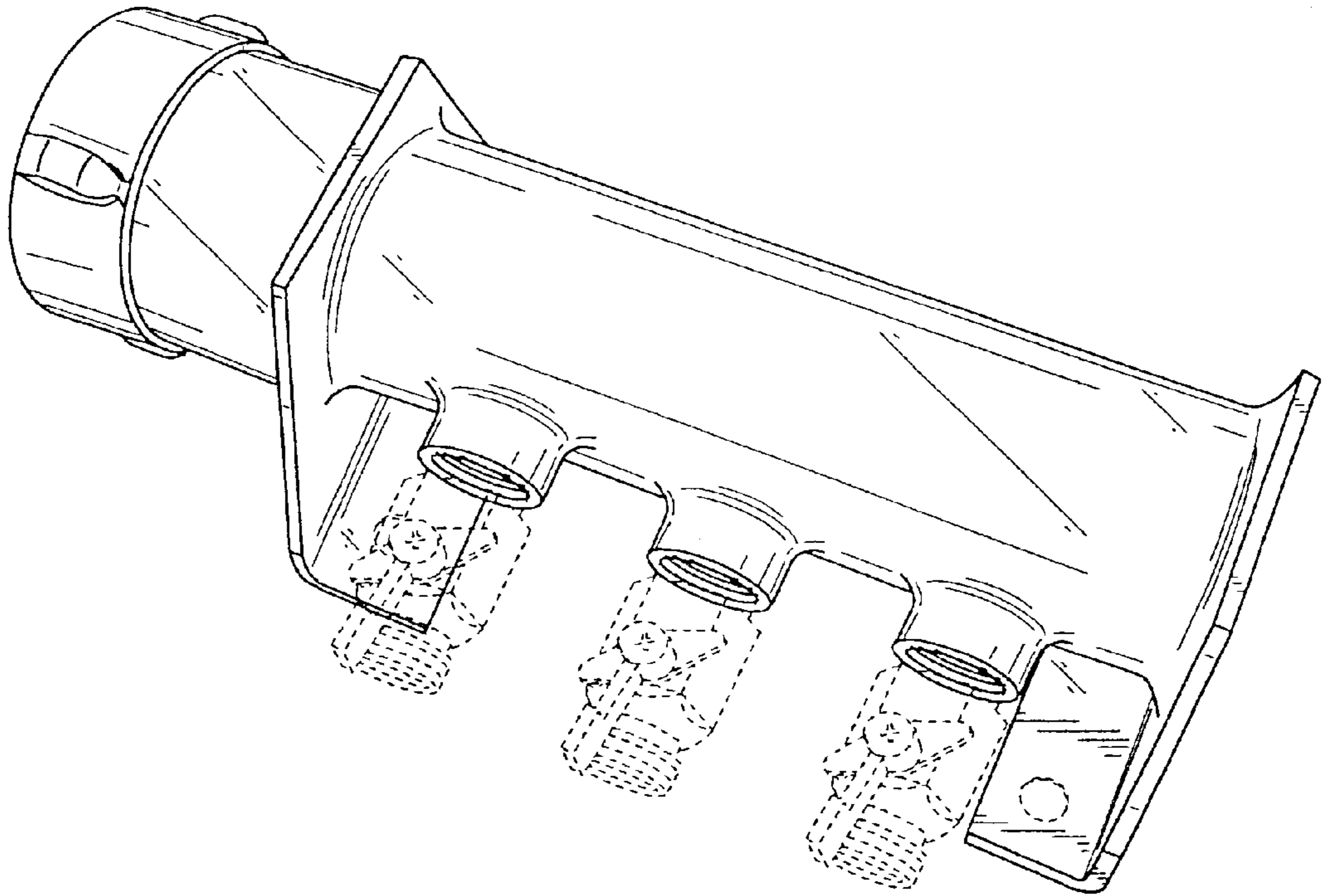


FIG.8

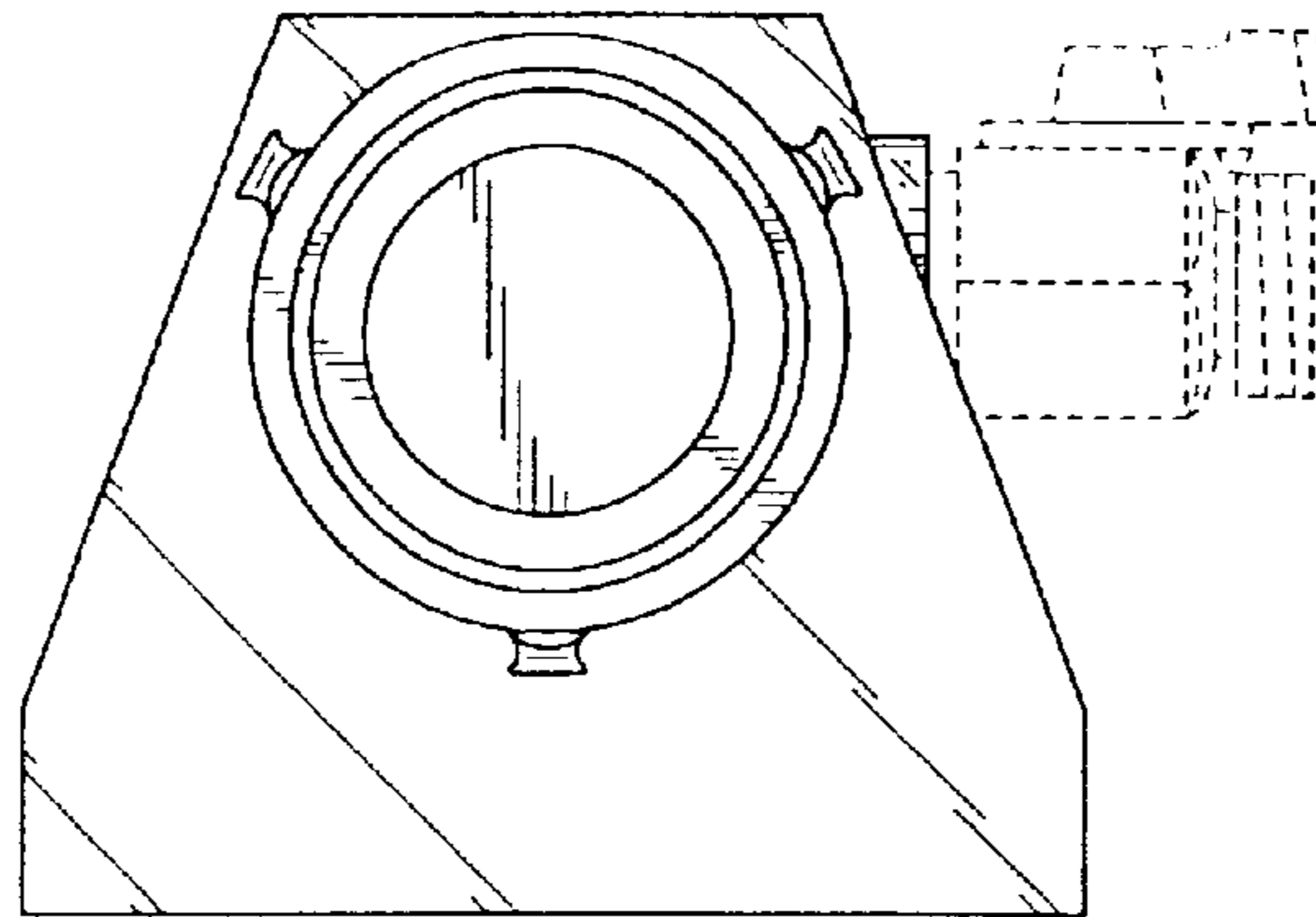


FIG. 9

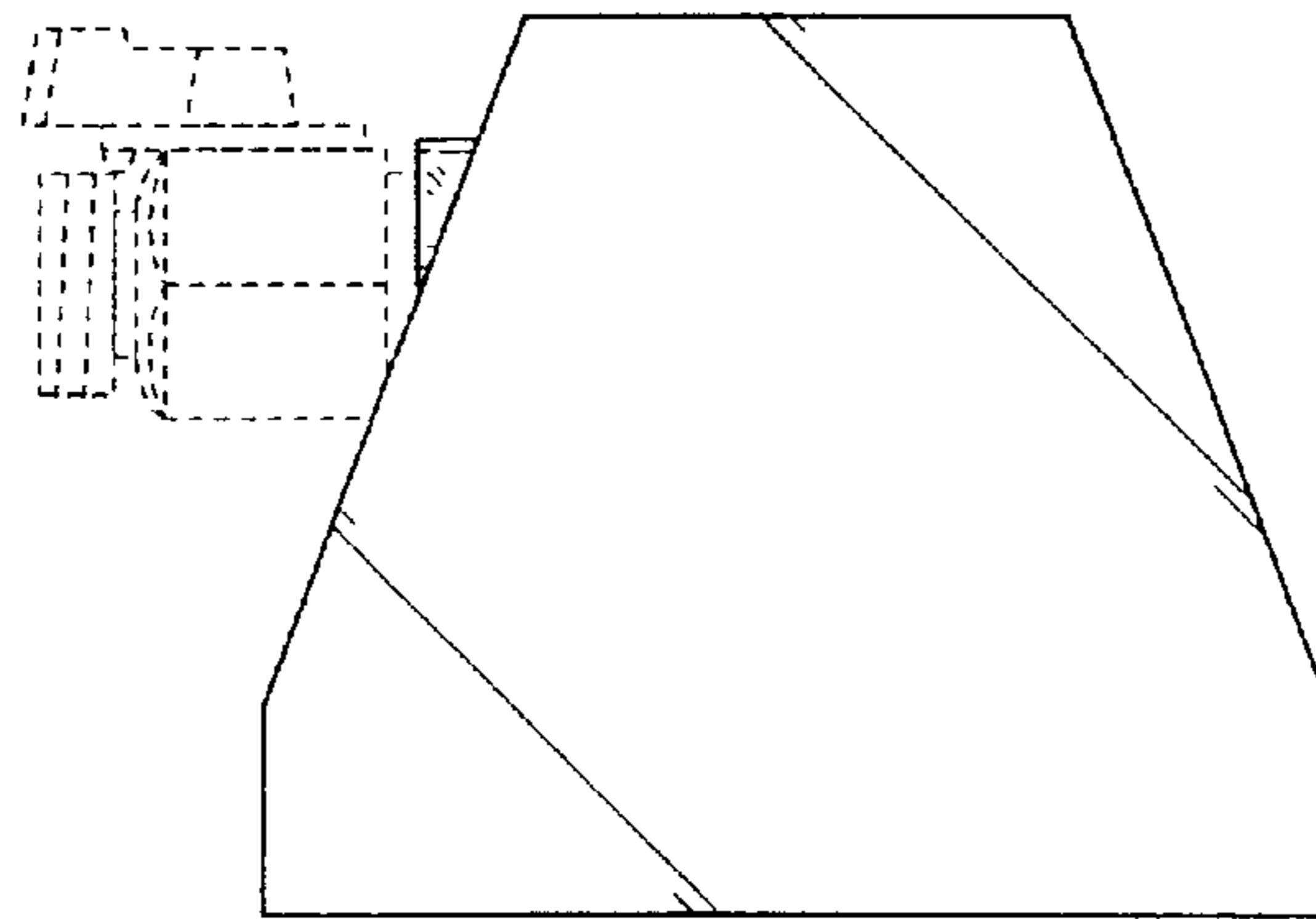


FIG. 10

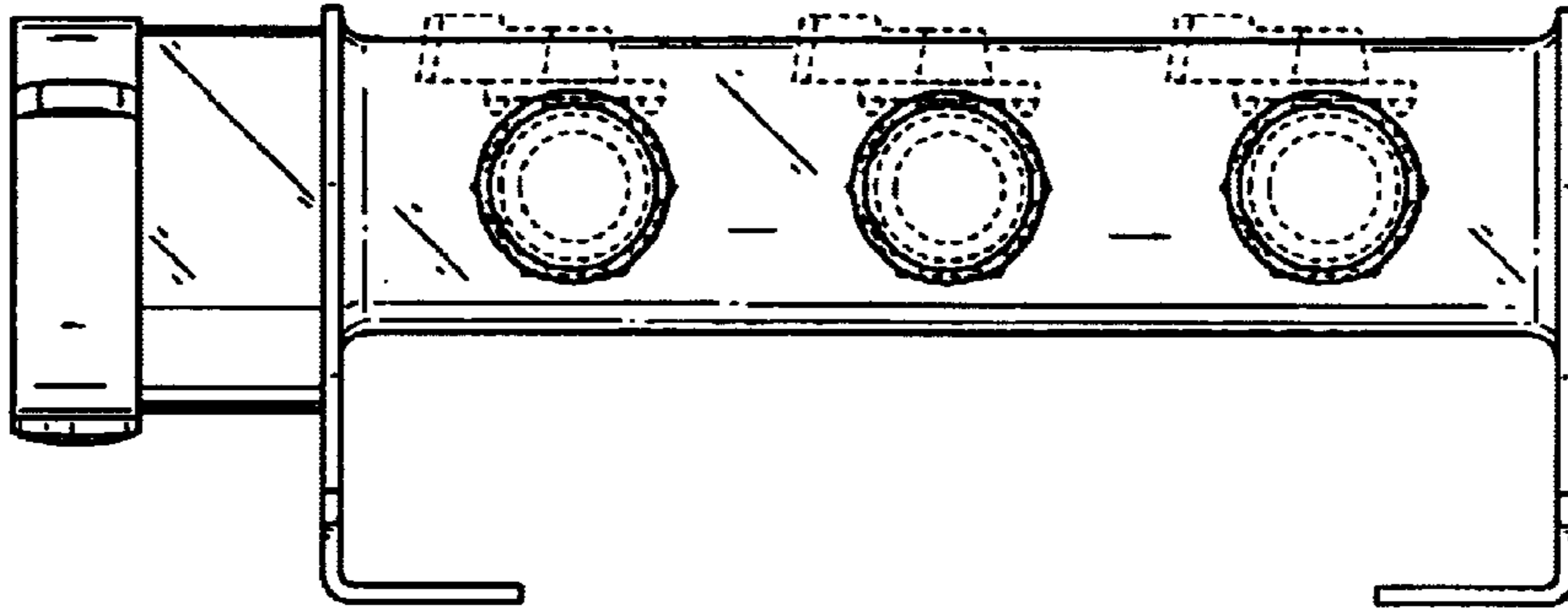


FIG.11

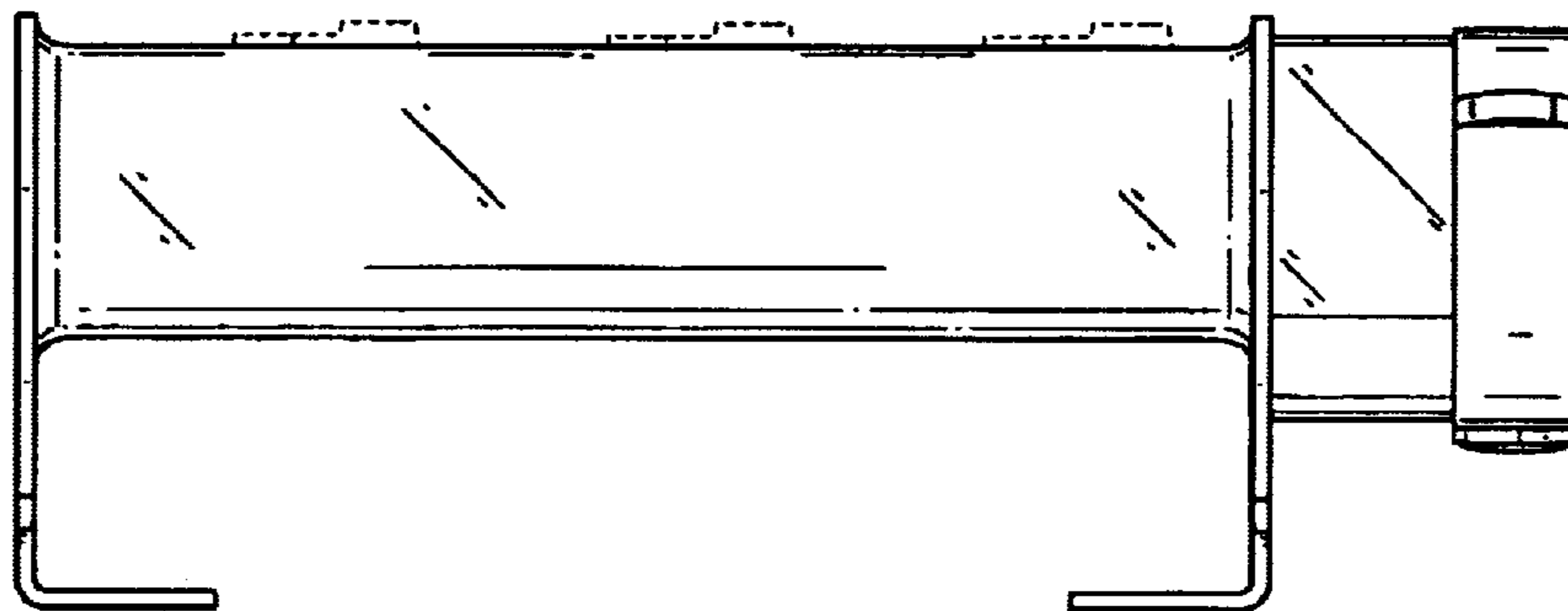


FIG.12

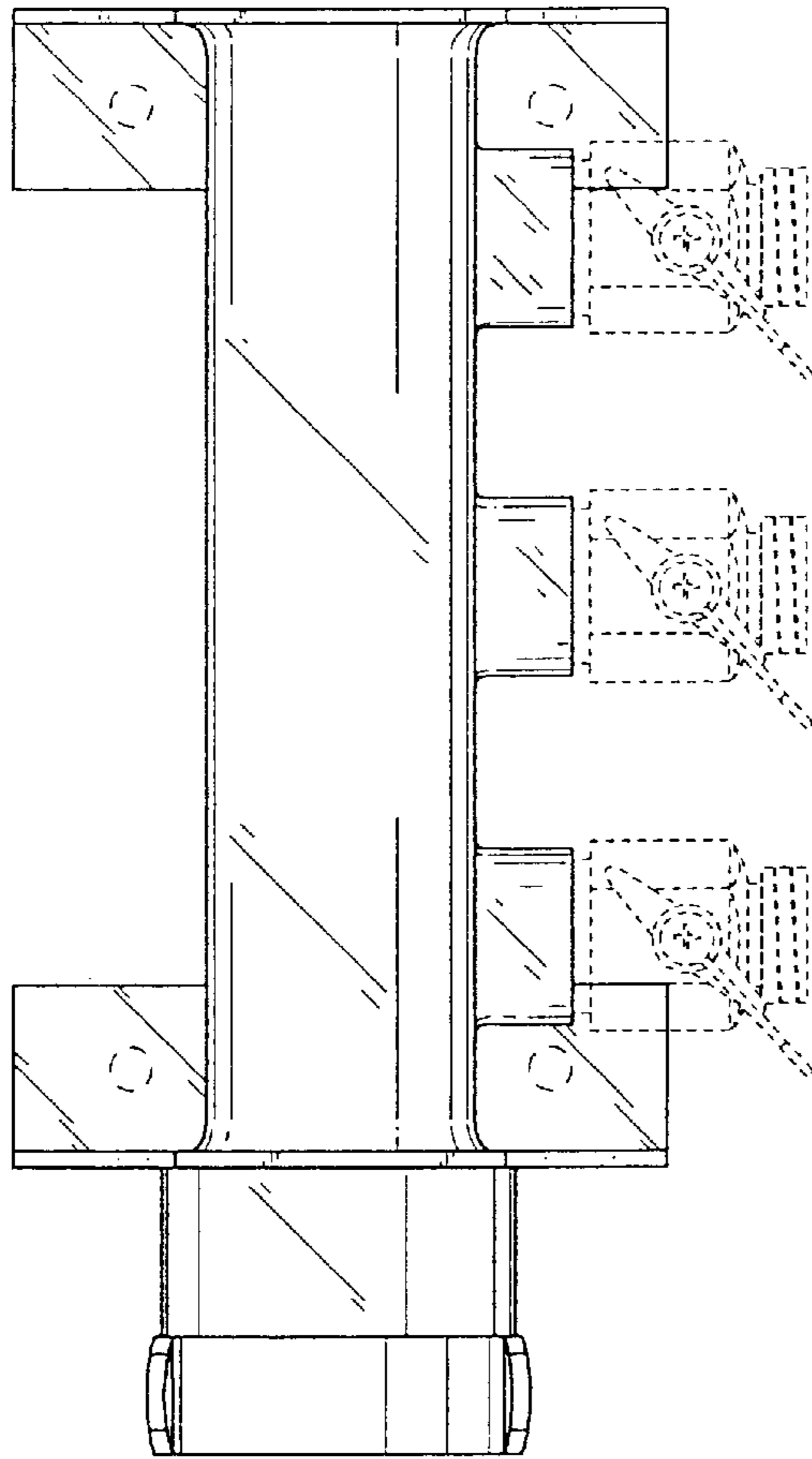


FIG. 13

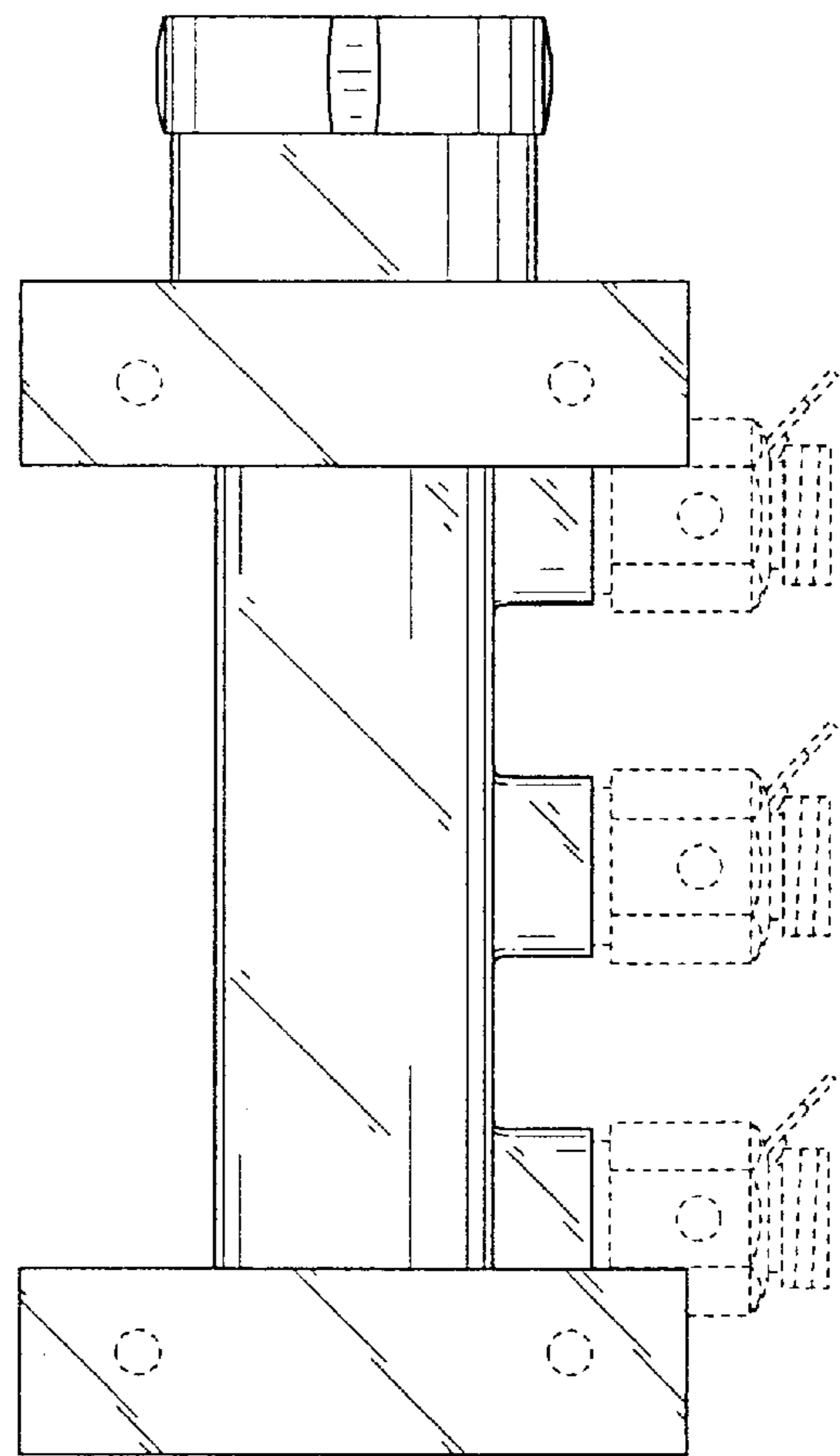


FIG. 14