



US00D488538S

(12) **United States Design Patent**  
**Graves et al.**

(10) **Patent No.:** **US D488,538 S**

(45) **Date of Patent:** **\*\* Apr. 13, 2004**

(54) **LAVATORY FAUCET ASSEMBLY**

(75) Inventors: **Michael Graves**, Princeton, NJ (US);  
**Donald Strum**, Princeton, NJ (US);  
**William Harrington**, Princeton, NJ  
(US); **Scott Doty**, Cranbury, NJ (US)

(73) Assignee: **Masco Corporation of Indiana**,  
Indianapolis, IN (US)

(\*\*) Term: **14 Years**

(21) Appl. No.: **29/185,339**

(22) Filed: **Jun. 26, 2003**

(51) **LOC (7) Cl.** ..... **23-01**

(52) **U.S. Cl.** ..... **D23/241; D23/238**

(58) **Field of Search** ..... **D23/238-257;**  
**4/675-678; 137/801**

(56) **References Cited**

**U.S. PATENT DOCUMENTS**

D363,975 S \* 11/1995 Doughty et al. .... D23/241  
D404,802 S \* 1/1999 Delker ..... D23/252

\* cited by examiner

*Primary Examiner*—Louis S. Zarfaz

*Assistant Examiner*—Gregory Andoll

(74) *Attorney, Agent, or Firm*—Kwadjo Adusei-Poku;  
Lloyd D. Doigan

(57) **CLAIM**

The ornamental design for a lavatory faucet assembly, as shown and described.

**DESCRIPTION**

FIG. 1 is a front perspective view of a lavatory faucet assembly showing our new design;

FIG. 2 is a rear perspective view thereof;

FIG. 3 is a left side view thereof;

FIG. 4 is a top plan elevational view thereof;

FIG. 5 is a front elevational view thereof;

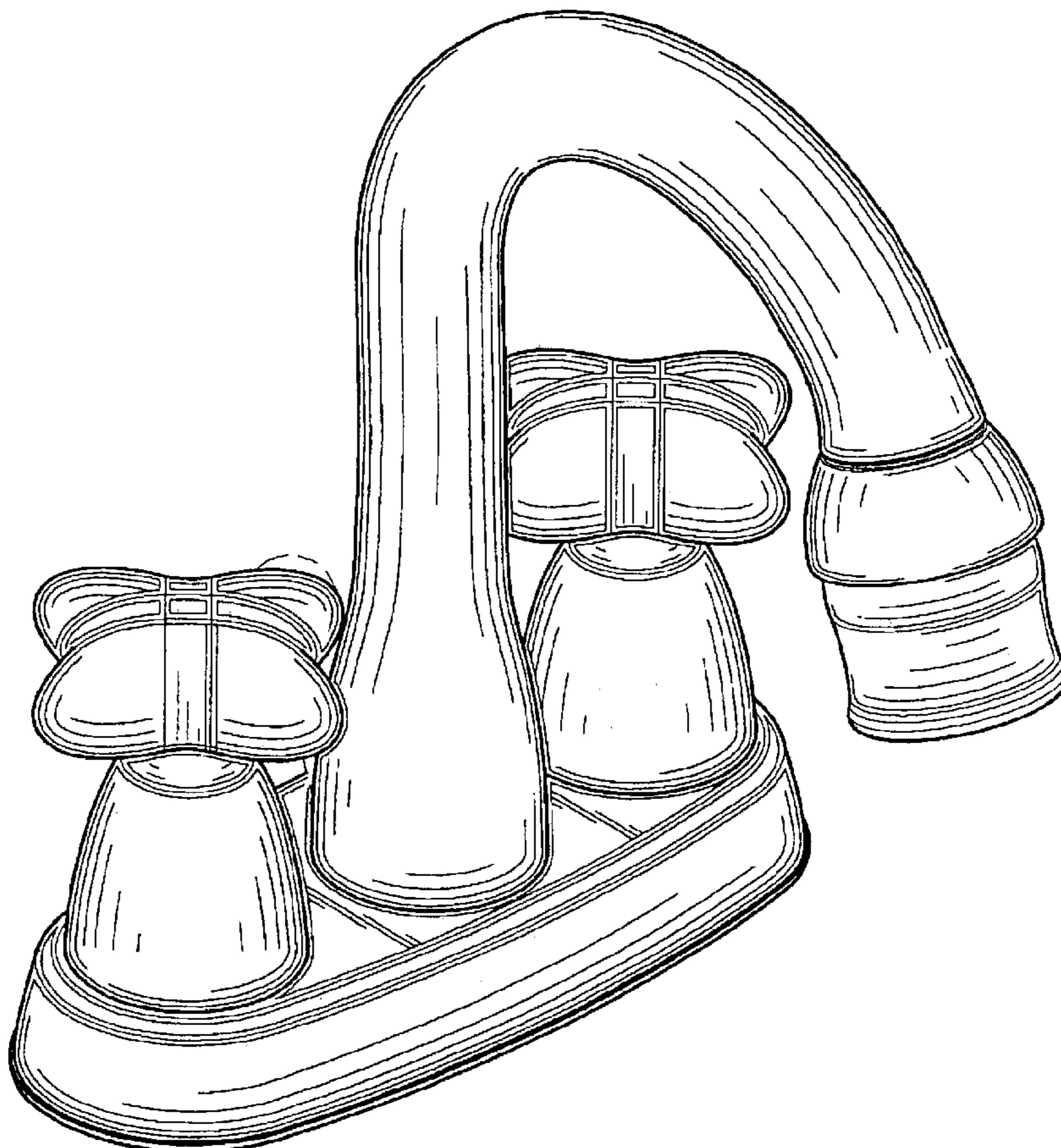
FIG. 6 is a right side elevational view thereof;

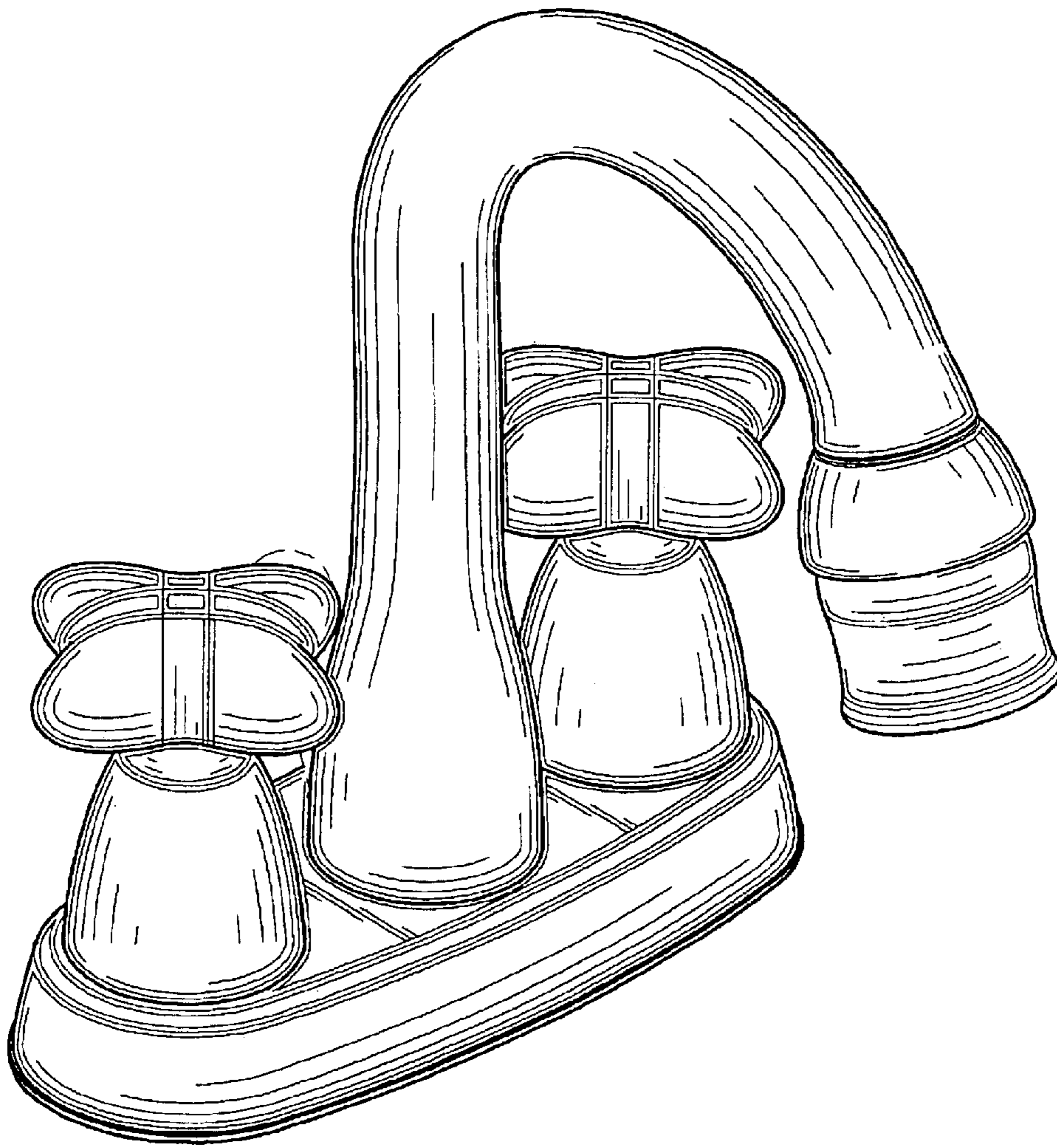
FIG. 7 is a rear elevational view thereof; and,

FIG. 8 is a bottom plan view thereof.

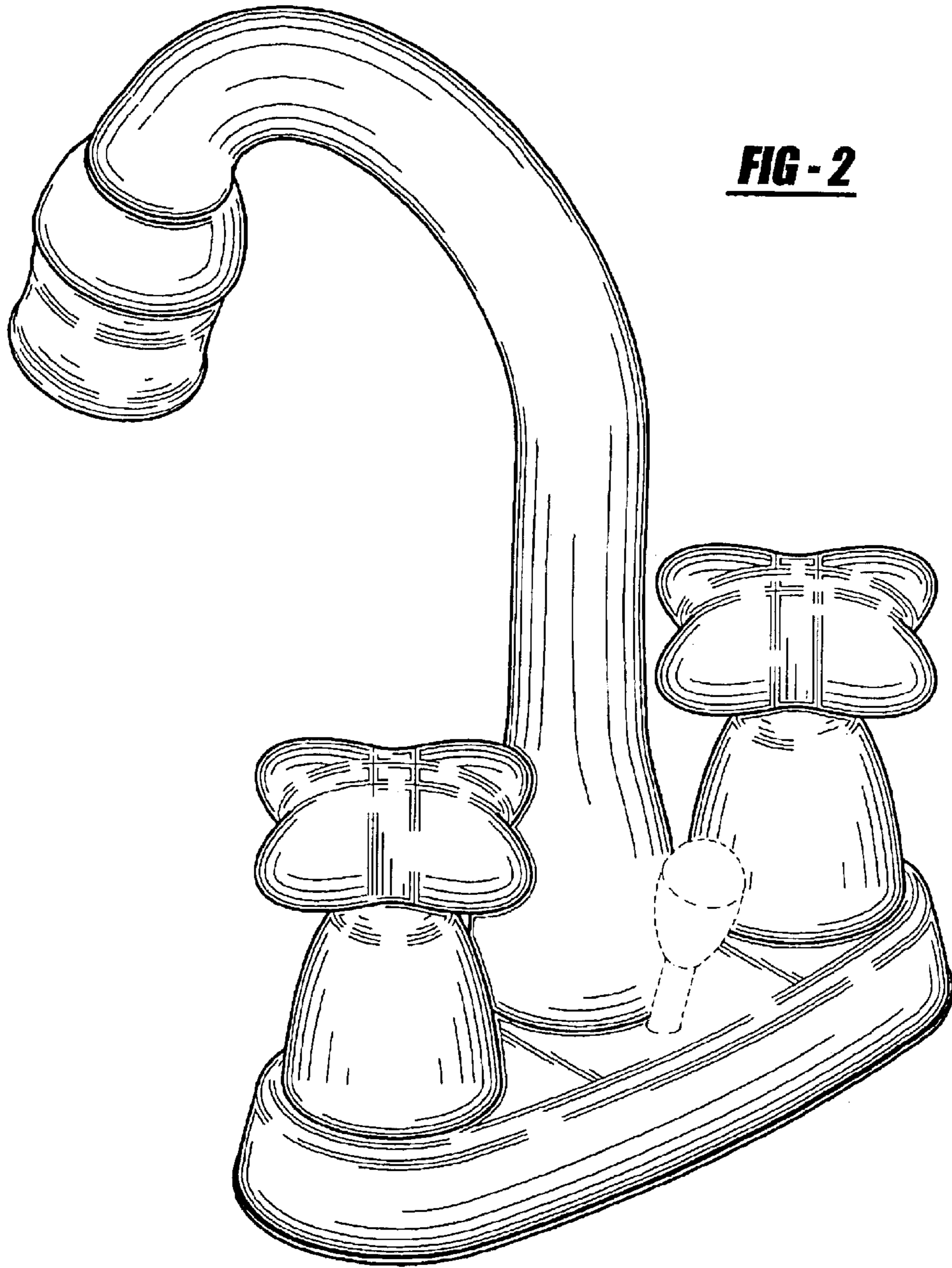
The broken lines in the Figures are for illustrative purposes only and form no part of the claimed design.

**1 Claim, 8 Drawing Sheets**

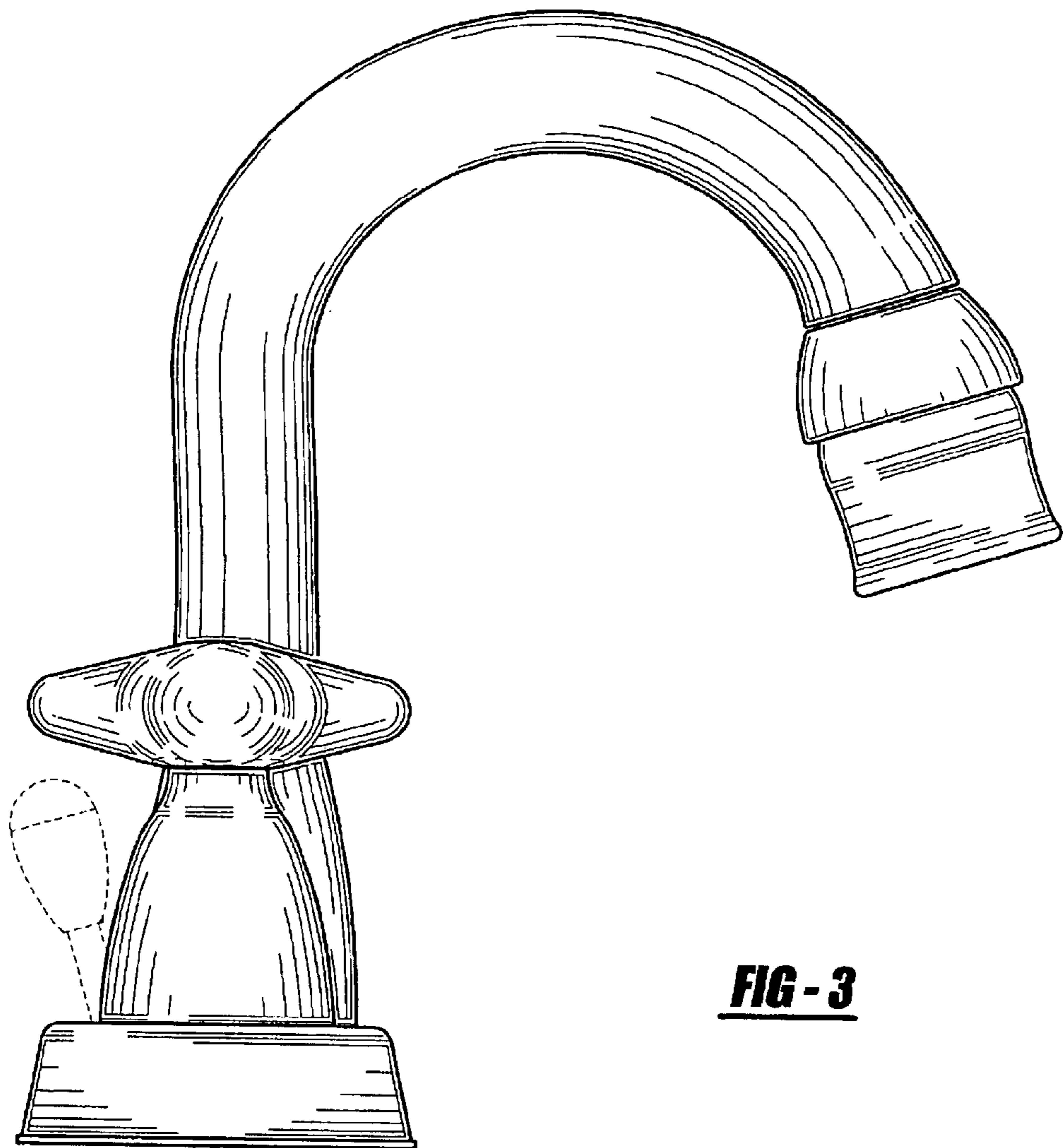




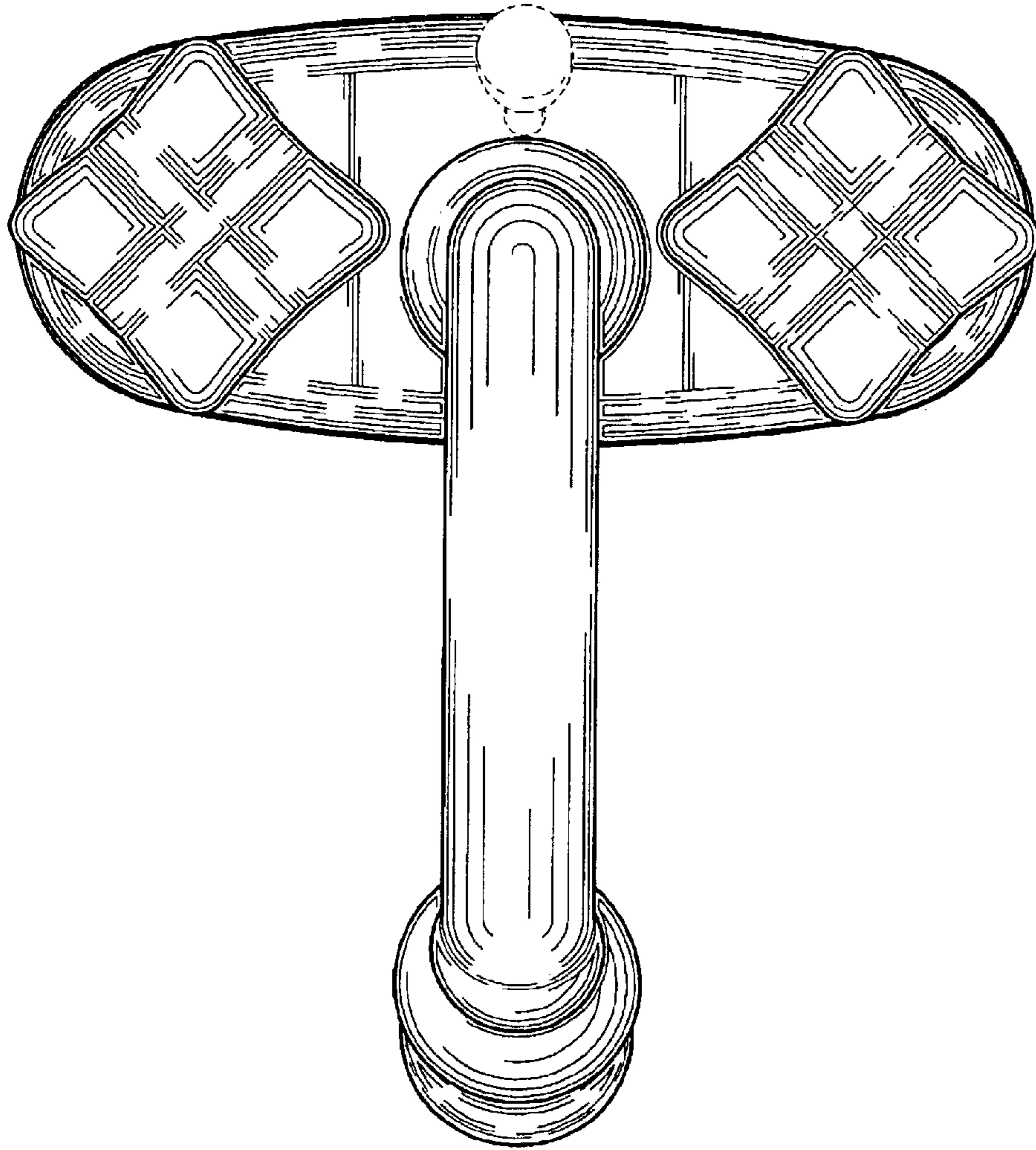
**FIG - 1**



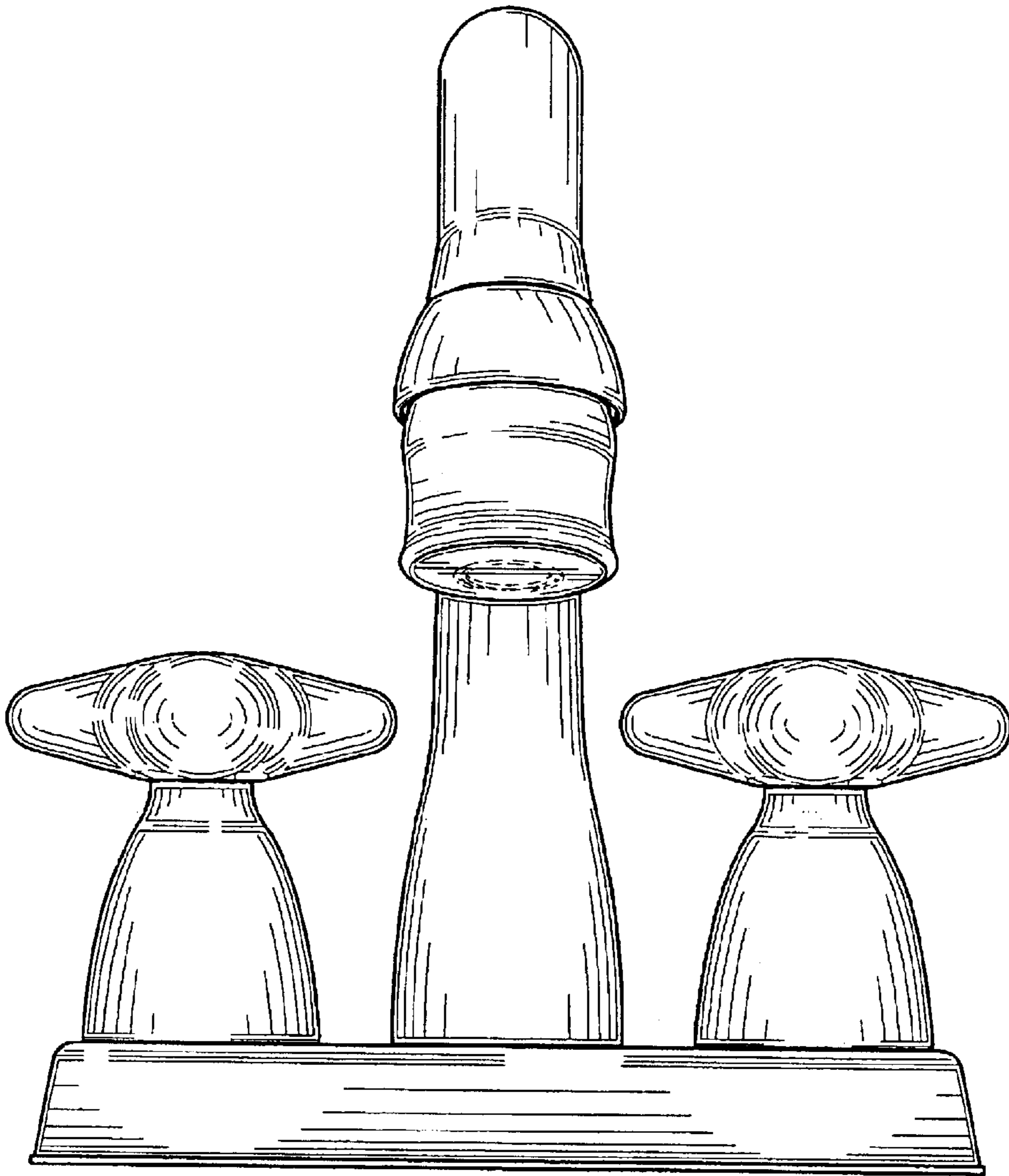
**FIG - 2**



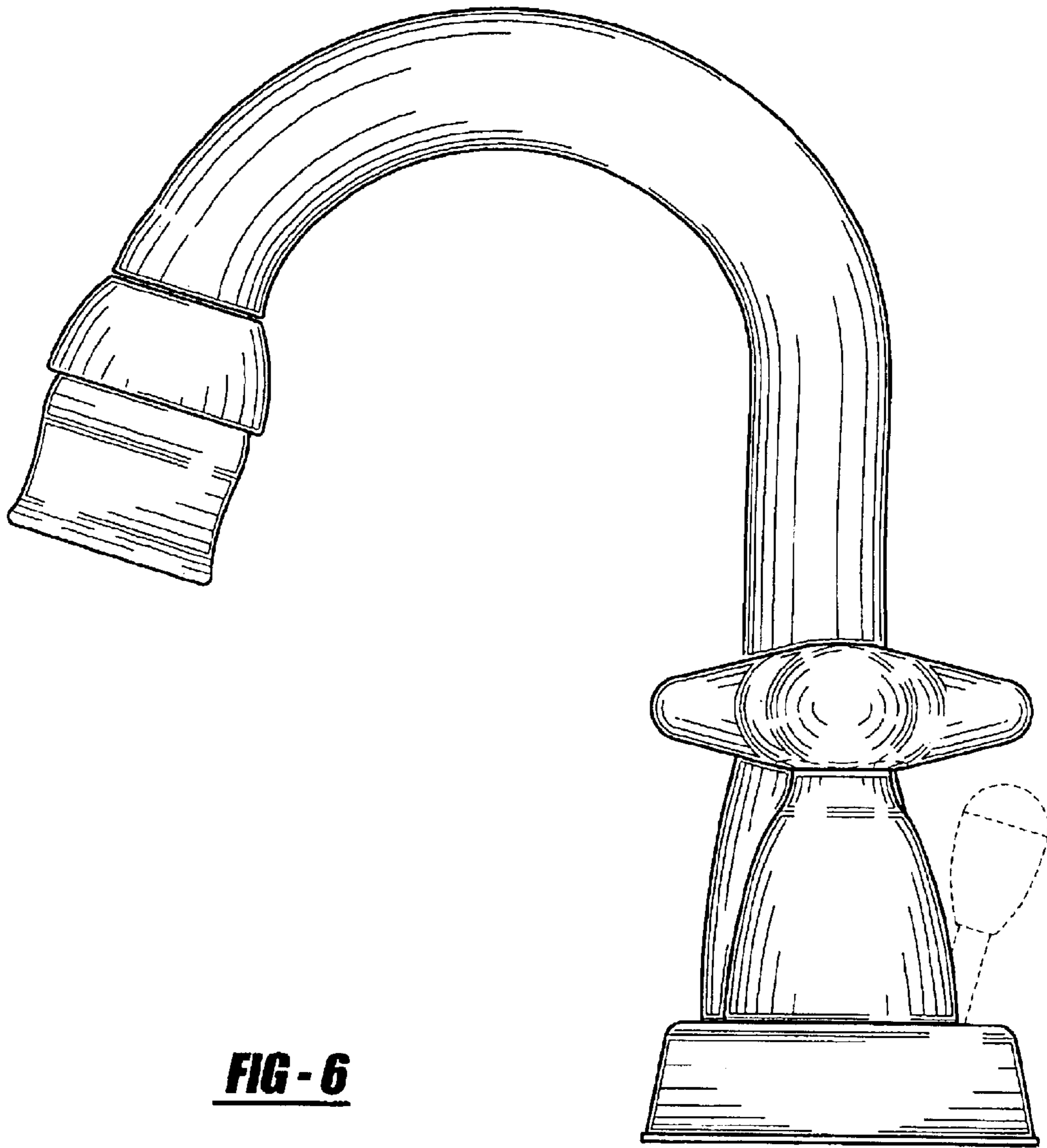
**FIG - 3**



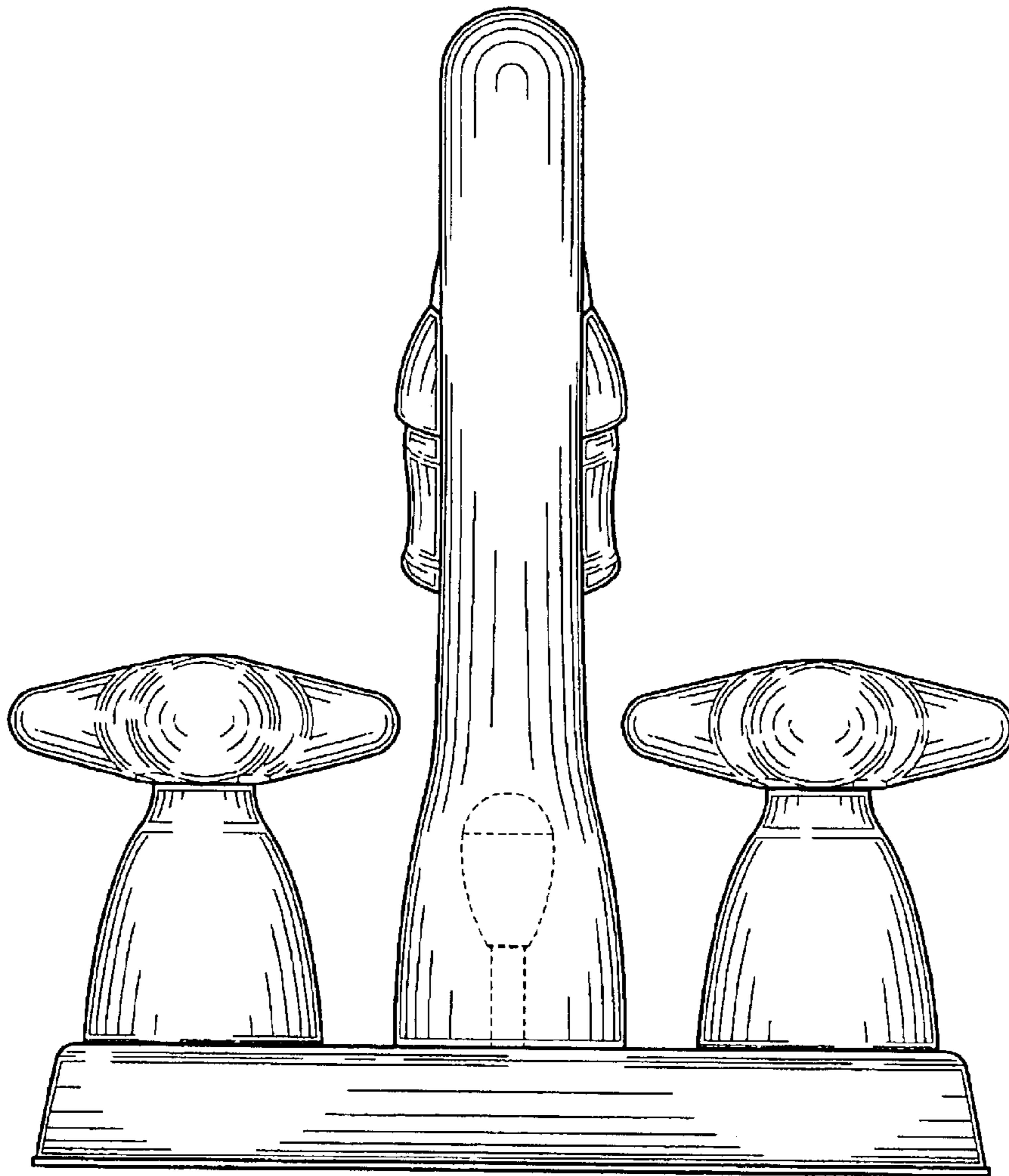
**FIG - 4**



**FIG - 5**

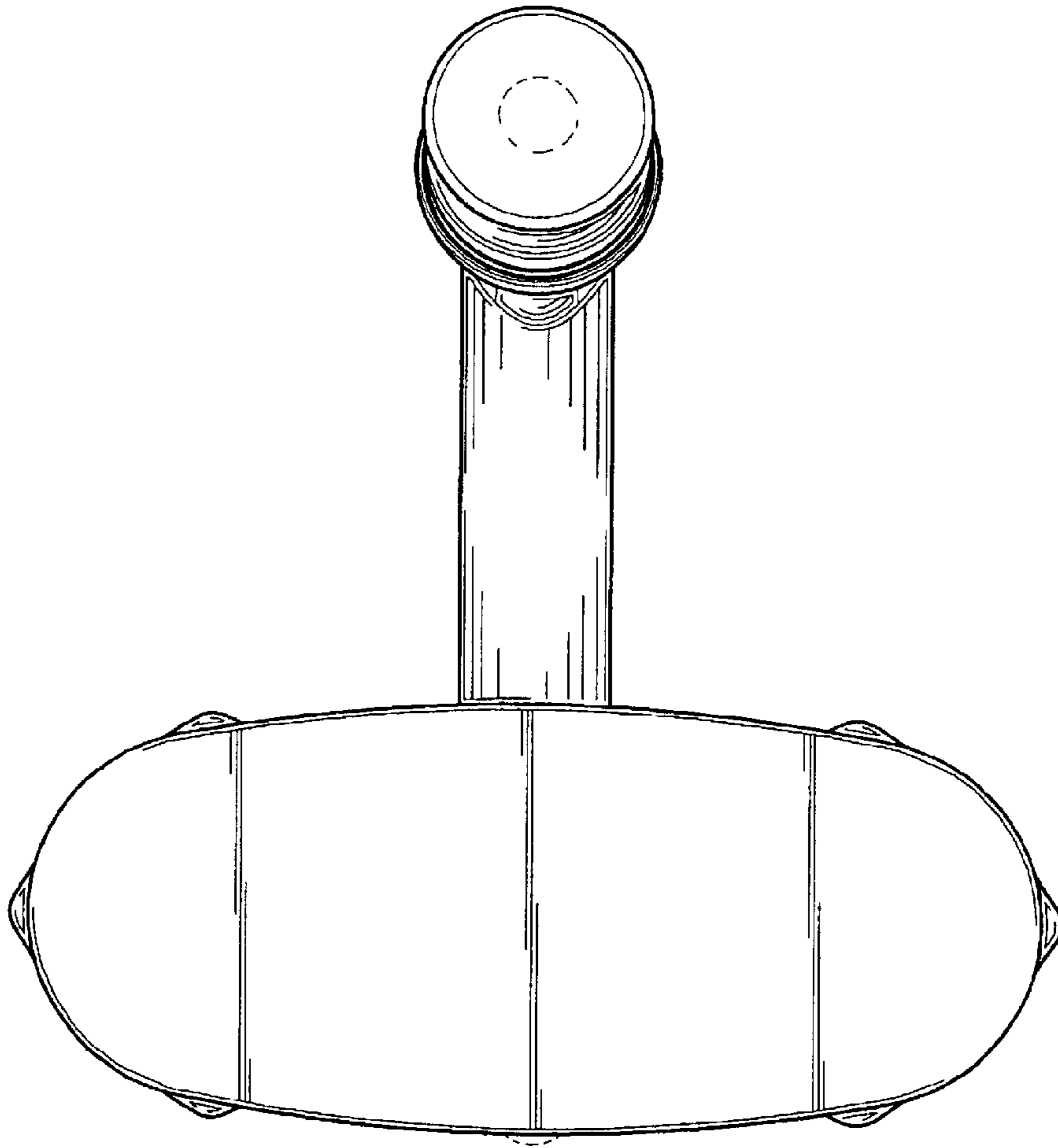


**FIG - 6**



**FIG - 7**





**FIG - 8**