



US00D488537S

(12) **United States Design Patent**
Shahar

(10) **Patent No.:** **US D488,537 S**

(45) **Date of Patent:** **** Apr. 13, 2004**

(54) **FAUCET**

D466,587 S * 12/2002 Isaacs D23/238

(75) **Inventor:** **Michael Shahar, Yavne (IL)**

* cited by examiner

(73) **Assignee:** **Hamat Sanitary Fittings and Castings, Ltd., Ashdod (IL)**

Primary Examiner—Louis S. Zarfaz

Assistant Examiner—Gregory Andoll

(**) **Term:** **14 Years**

(74) *Attorney, Agent, or Firm*—Dennison, Schultz, Dougherty & MacDonald

(21) **Appl. No.:** **29/185,263**

(57) **CLAIM**

(22) **Filed:** **Jun. 26, 2003**

The ornamental design for a faucet, as shown and described.

(51) **LOC (7) Cl.** **23-01**

DESCRIPTION

(52) **U.S. Cl.** **D23/238**

FIG. 1 is a front elevational view of a faucet showing our new design;

(58) **Field of Search** **D23/238-257;**

4/675-678; 137/801

FIG. 2 is a rear elevational view thereof;

FIG. 3 is a right side elevational view thereof;

FIG. 4 is a top elevational view thereof;

FIG. 5 is a bottom view thereof; and,

FIG. 6 is a perspective view thereof.

(56) **References Cited**

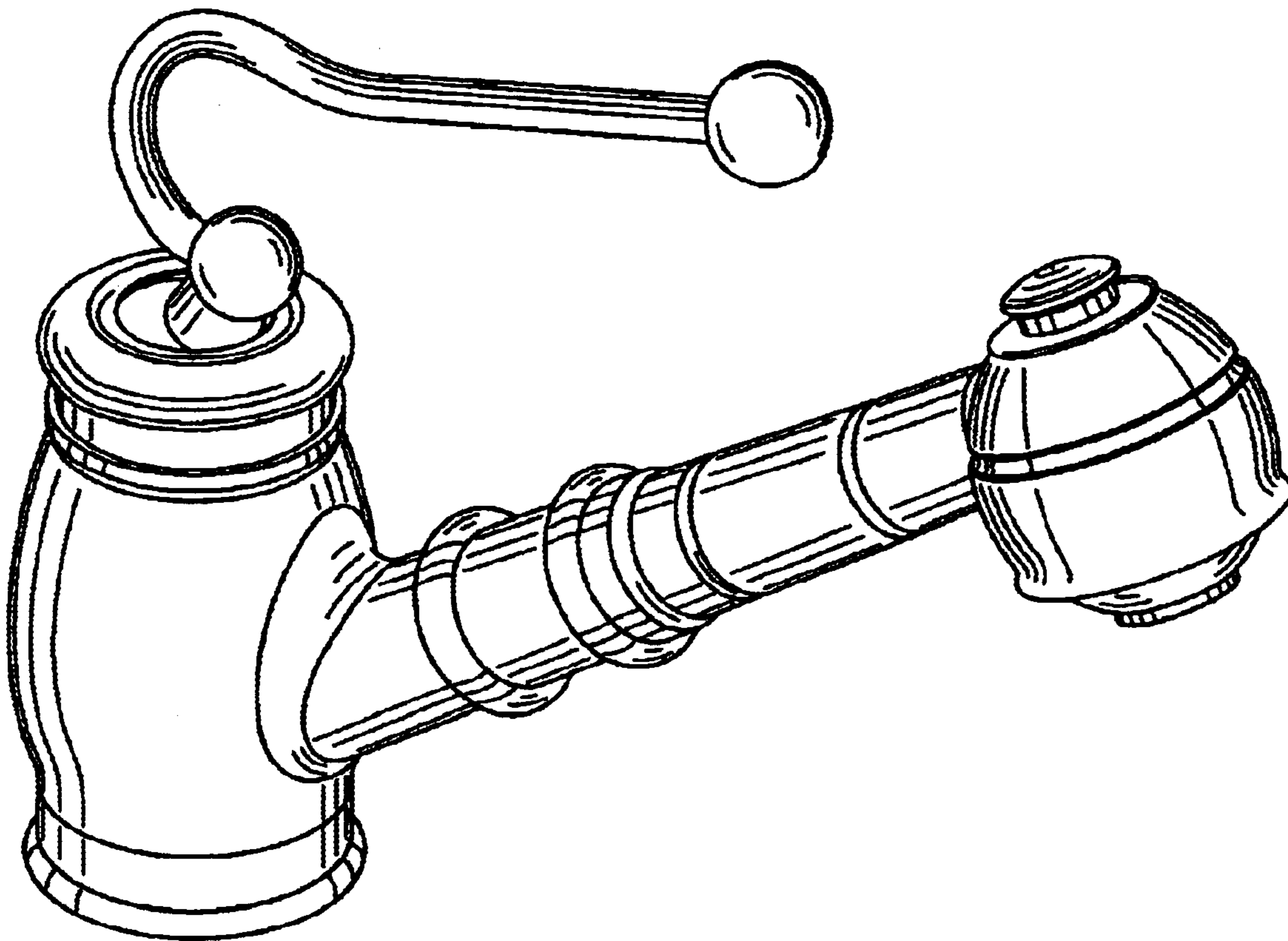
U.S. PATENT DOCUMENTS

D380,809 S * 7/1997 Warshawsky D23/238

D414,546 S * 9/1999 Cosolito et al. D23/238

D444,851 S * 7/2001 Sturgeon D23/238

1 Claim, 4 Drawing Sheets



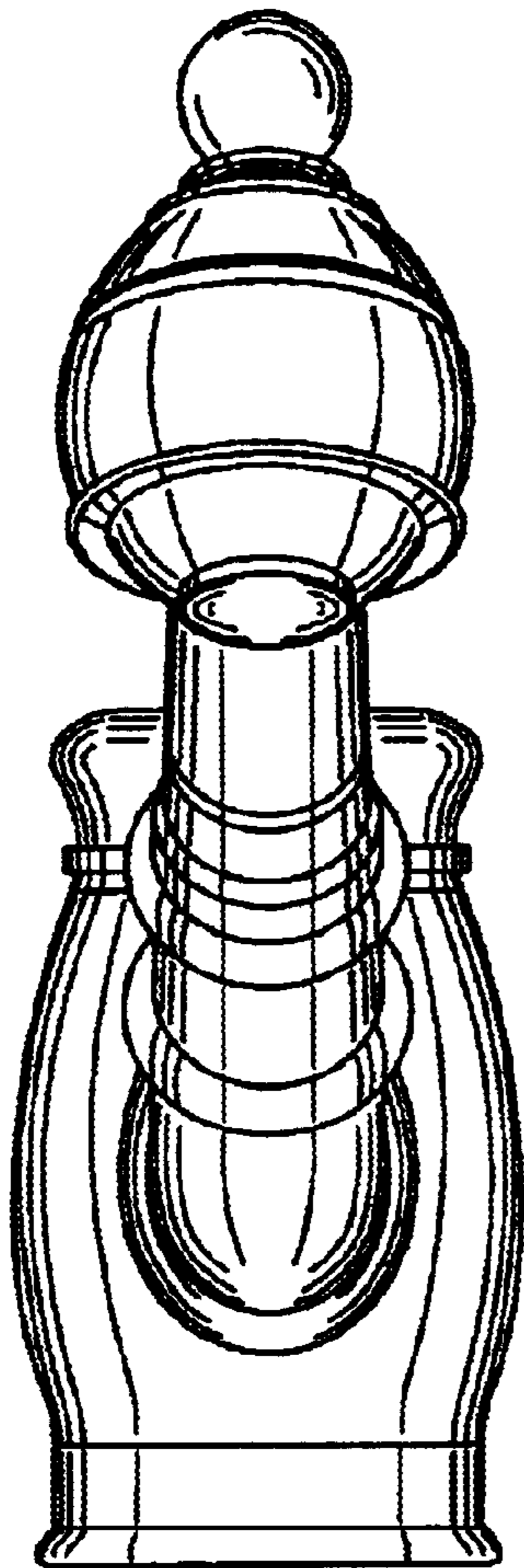


FIG.1

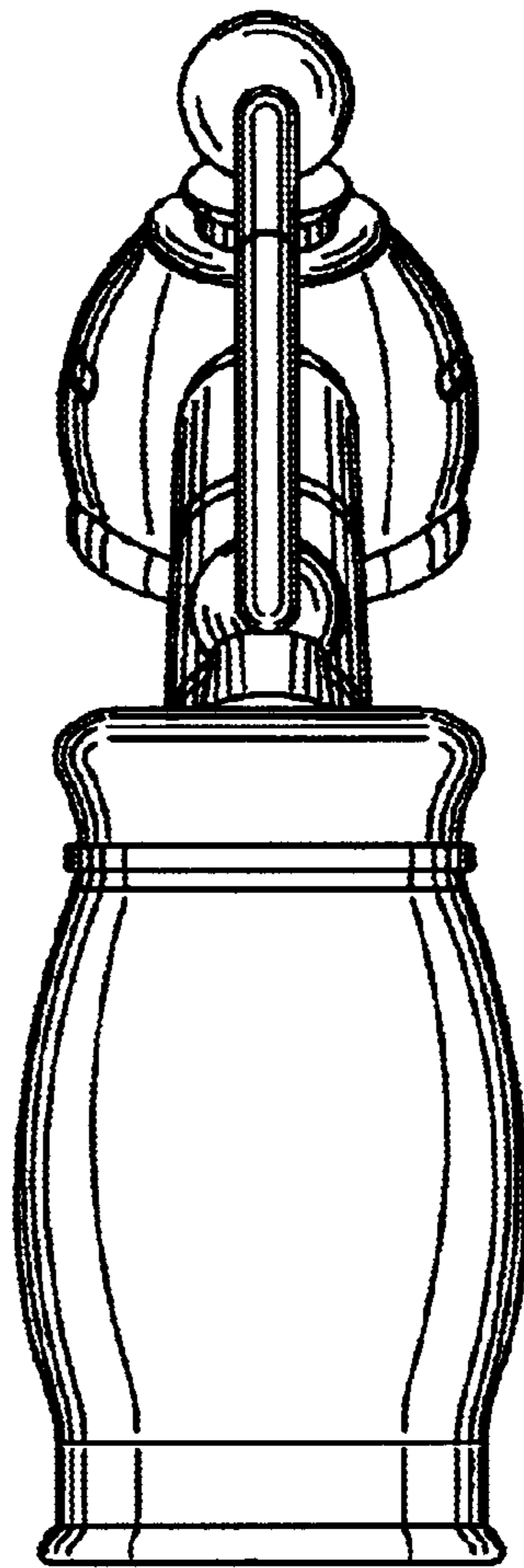


FIG.2

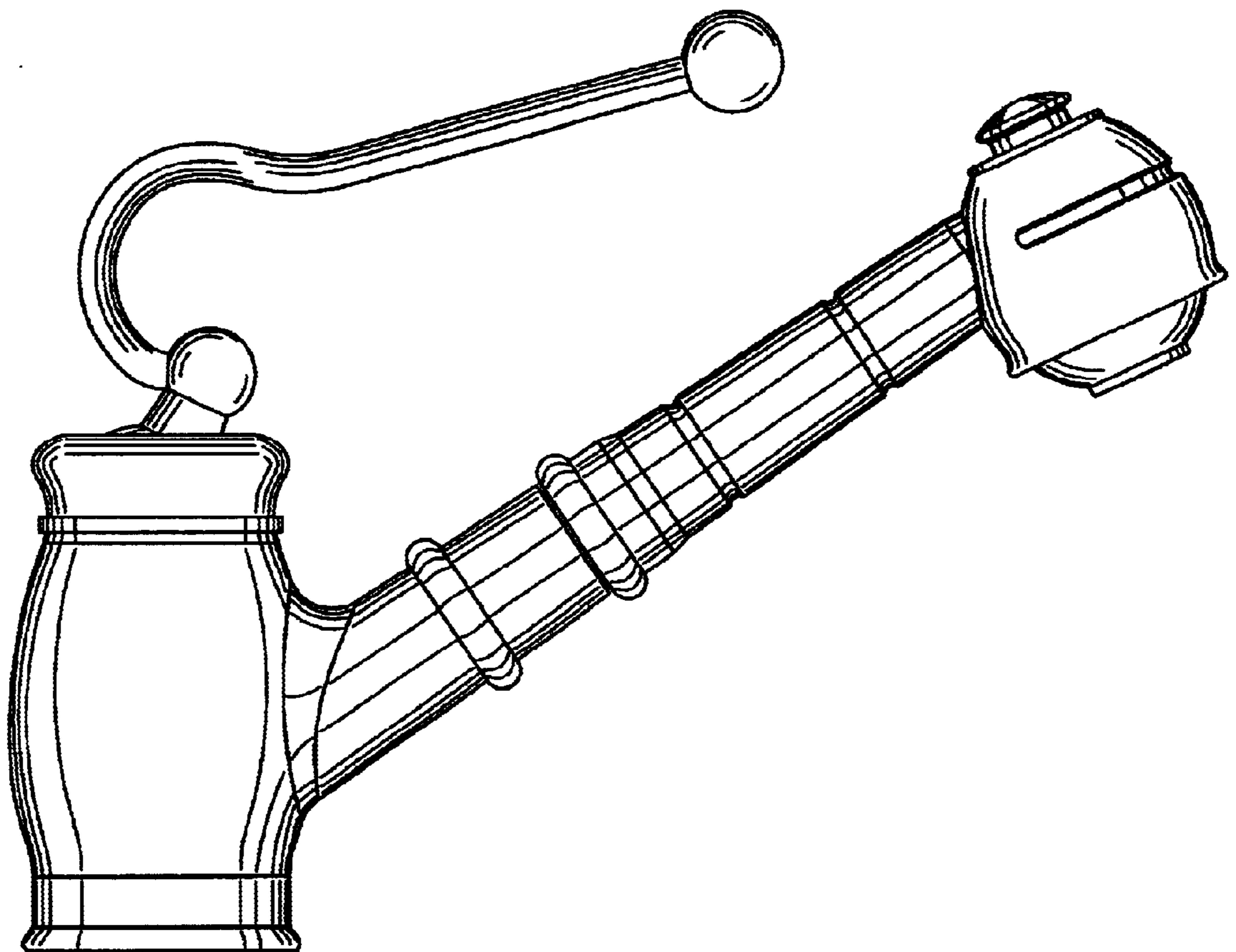


FIG.3

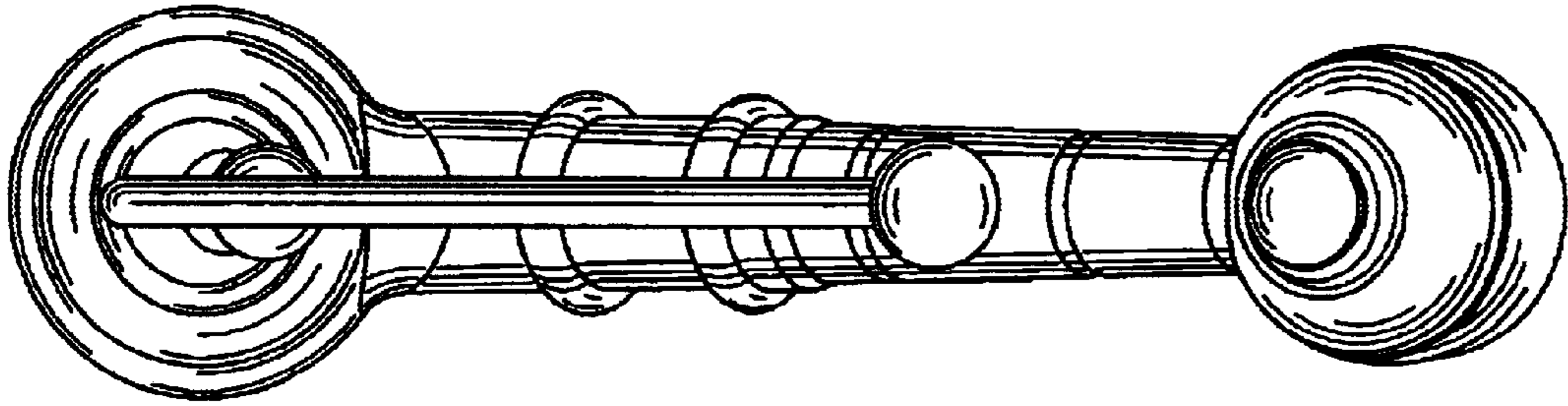


FIG. 4

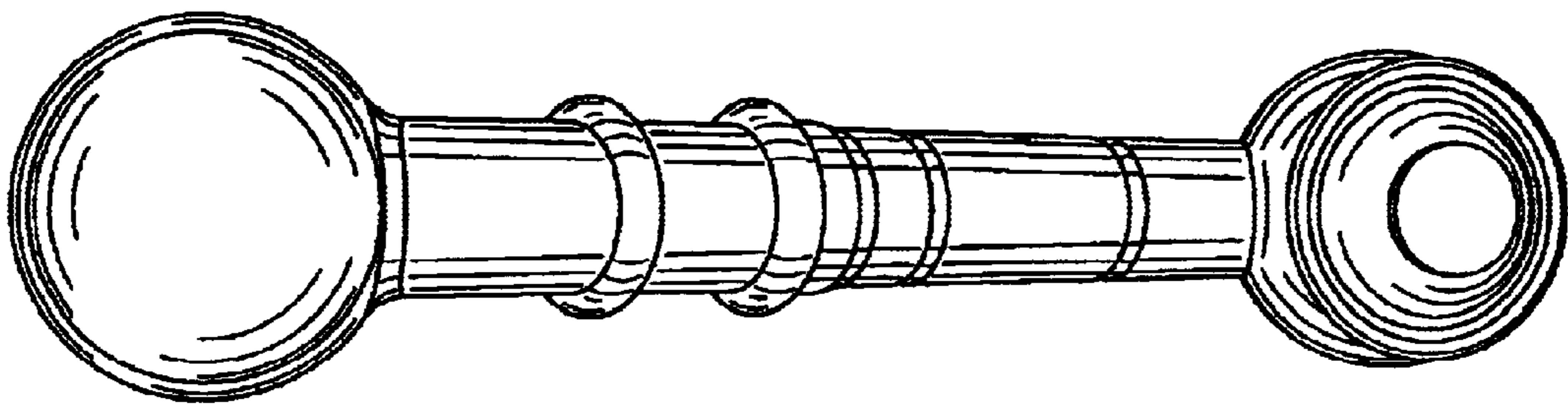


FIG. 5

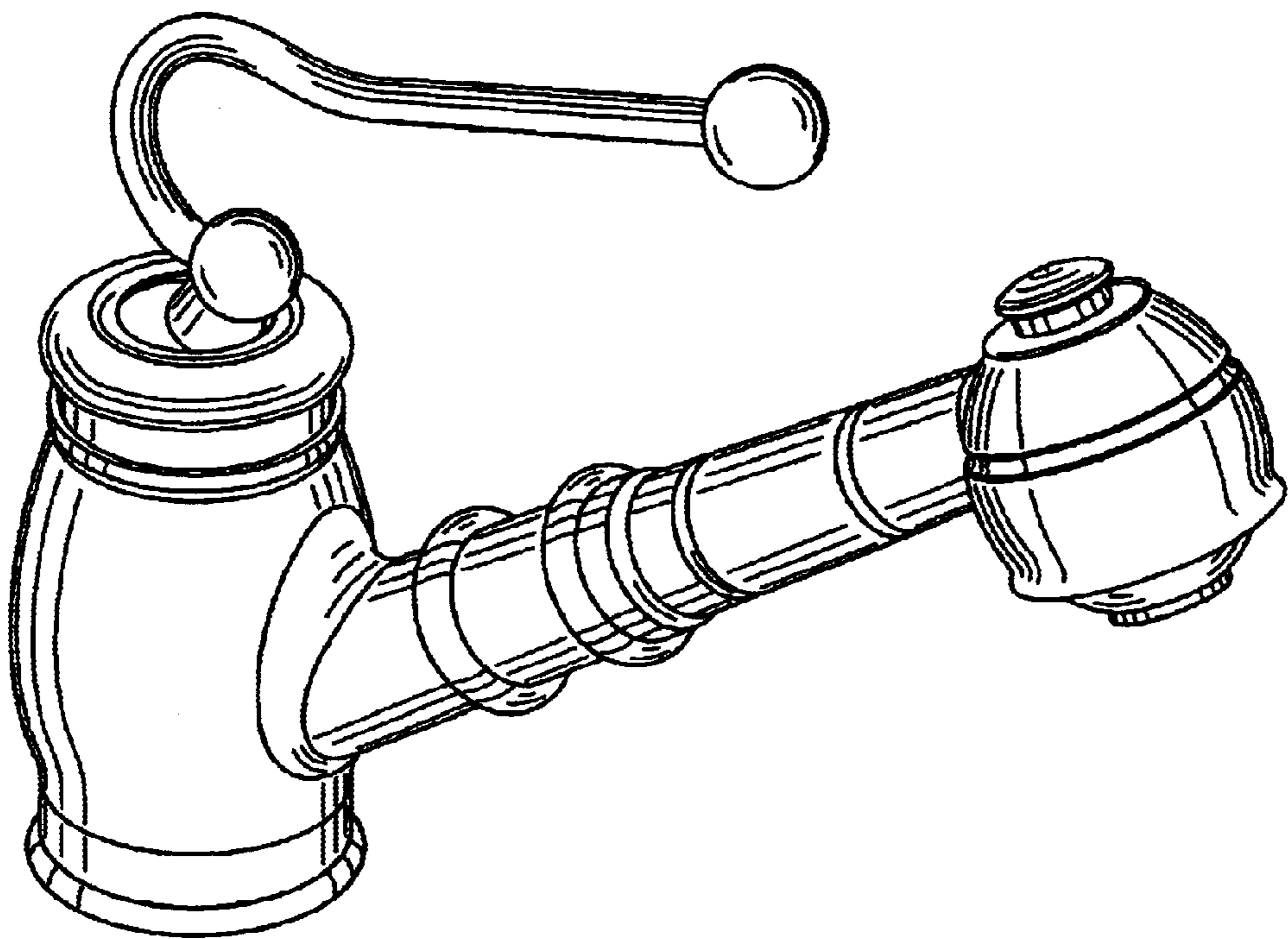


FIG.6