



US00D488533S

(12) **United States Design Patent**
Wang

(10) **Patent No.:** **US D488,533 S**

(45) **Date of Patent:** **** Apr. 13, 2004**

(54) **LAWN SPRINKLER**

D426,284 S * 6/2000 Wang D23/214
D467,301 S * 12/2002 Clivio D23/214

(75) Inventor: **King Yuan Wang**, Changhua Hsien (TW)

* cited by examiner

(73) Assignee: **Yuan Mei Corp.**, Changhua Hsien (TW)

Primary Examiner—Robin V. Taylor

(74) *Attorney, Agent, or Firm*—Troxell Law Office PLLC

(**) Term: **14 Years**

(57) **CLAIM**

The ornamental design for the “lawn sprinkler”, as shown and described.

(21) Appl. No.: **29/183,063**

(22) Filed: **Jun. 6, 2003**

DESCRIPTION

(51) **LOC (7) Cl.** **23-01**

FIG. 1 is a perspective view of a lawn sprinkler showing my new design;

(52) **U.S. Cl.** **D23/214**

FIG. 2 is a front view thereof;

(58) **Field of Search** D23/213, 214;

FIG. 3 is a rear view thereof;

239/390, 391, 222.19, 222.21

FIG. 4 is a right side view thereof, the left side being a mirror image;

(56) **References Cited**

FIG. 5 is a top view thereof; and,

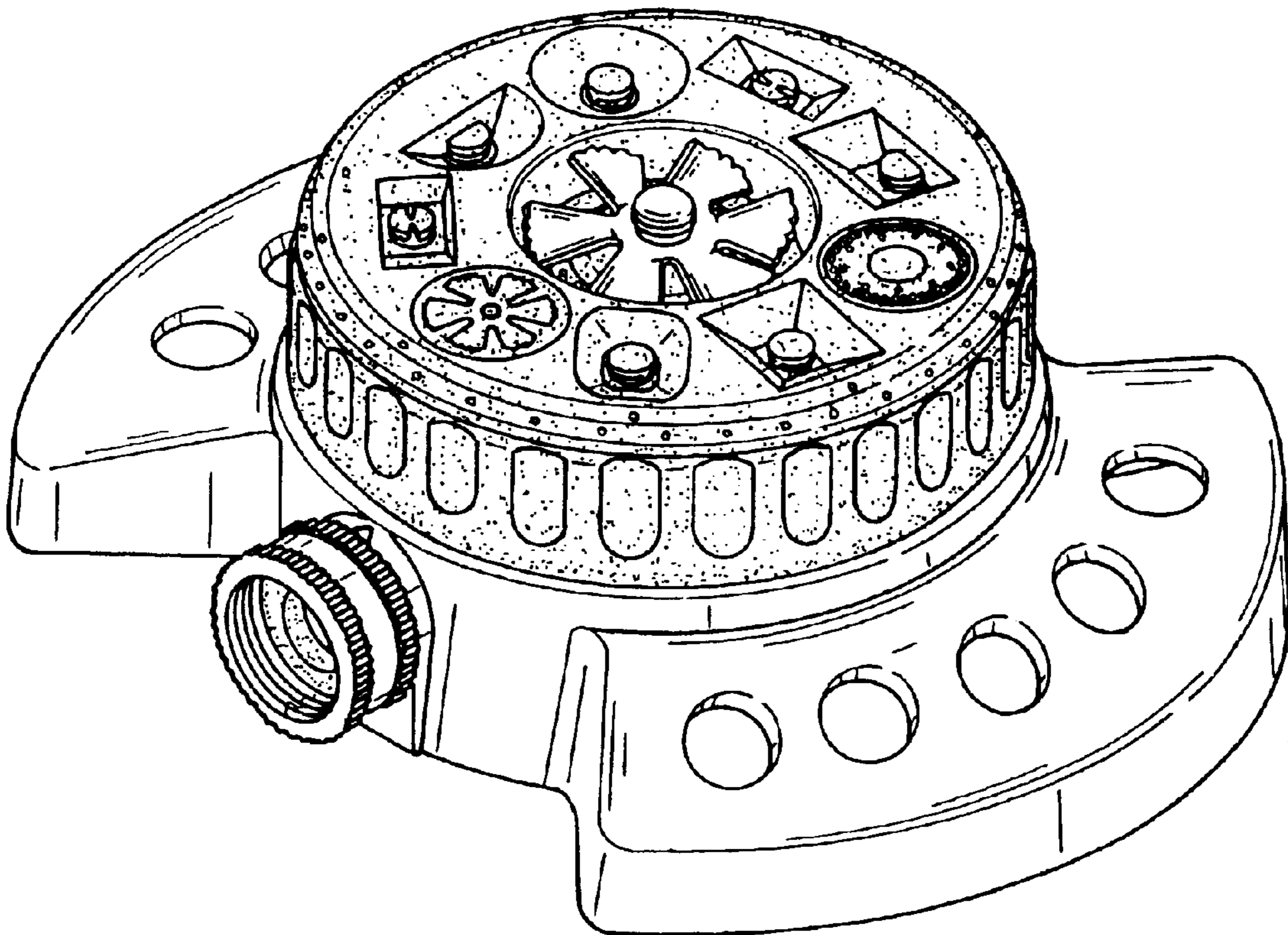
FIG. 6 is a bottom view thereof.

U.S. PATENT DOCUMENTS

D277,127 S * 1/1985 Mackay et al. D23/214

D374,914 S * 10/1996 Wang D23/214

1 Claim, 5 Drawing Sheets



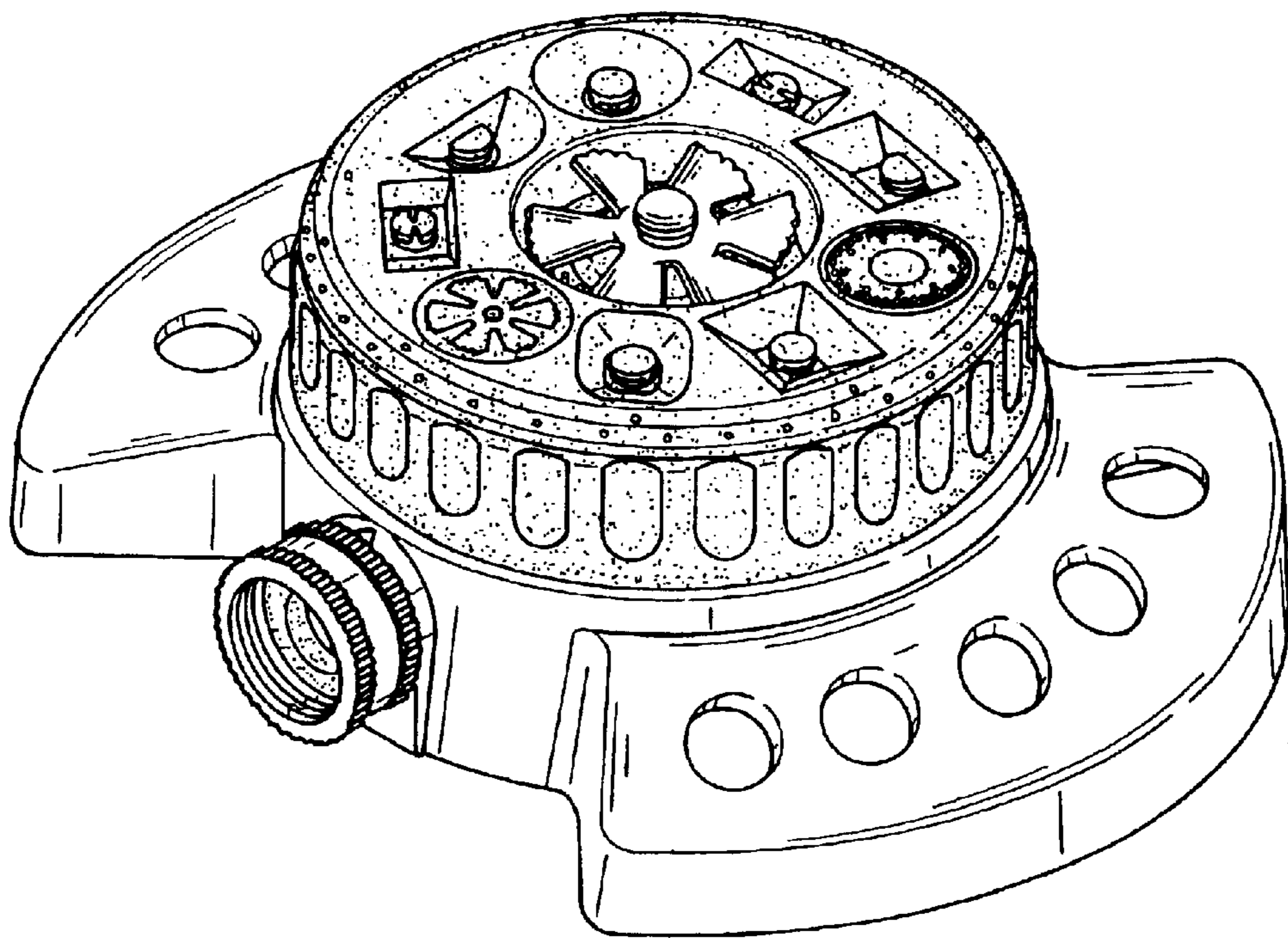


FIG. 1

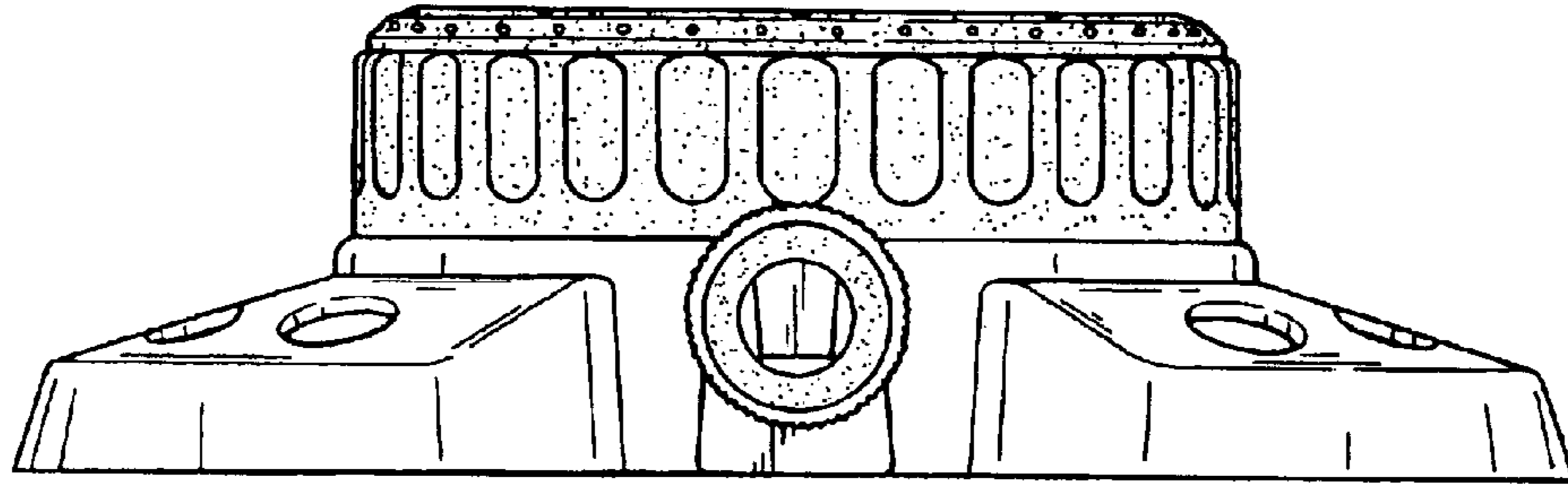


FIG. 2

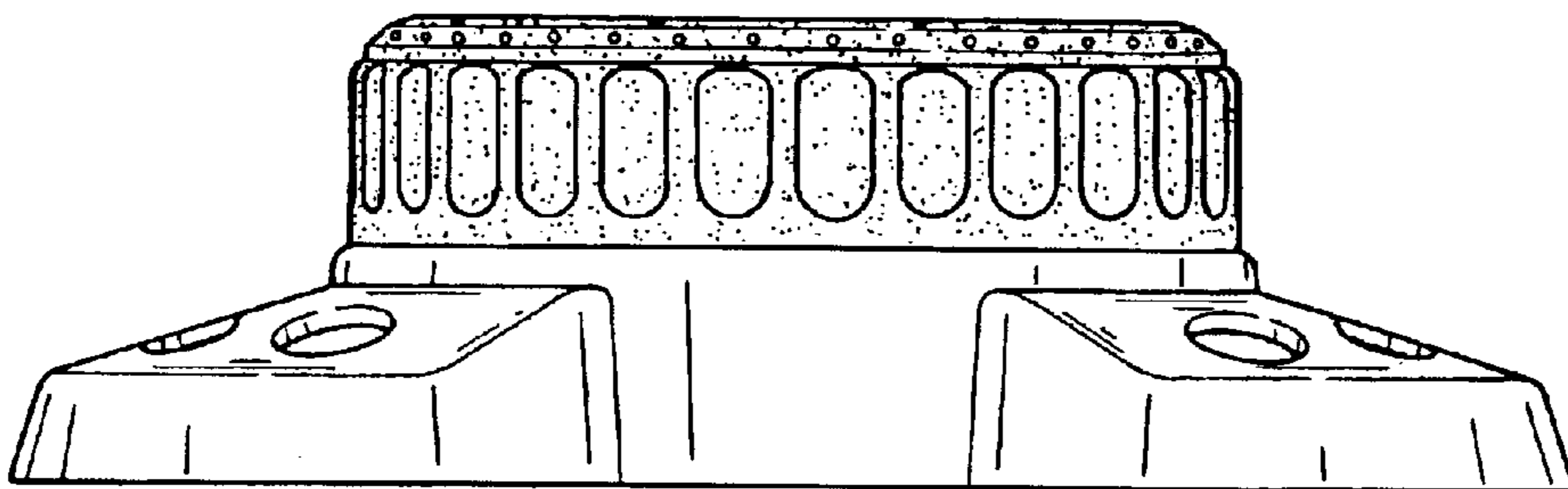


FIG. 3

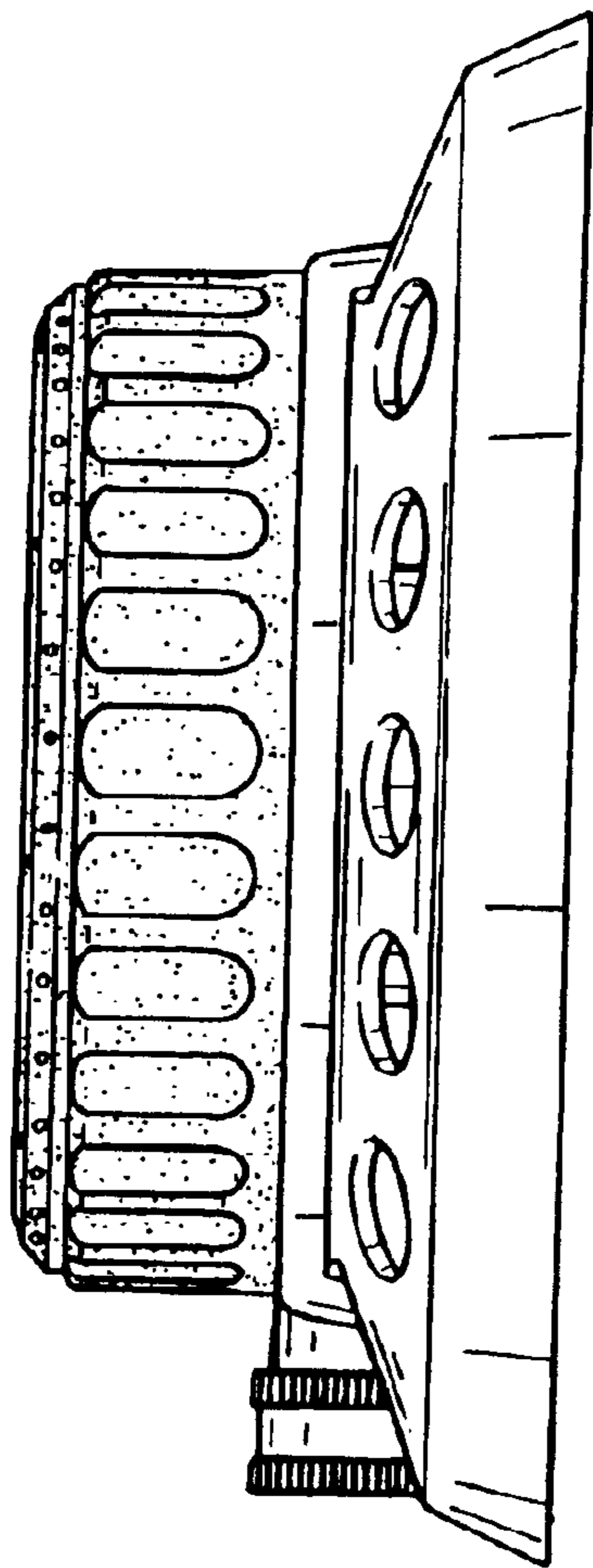


FIG. 4

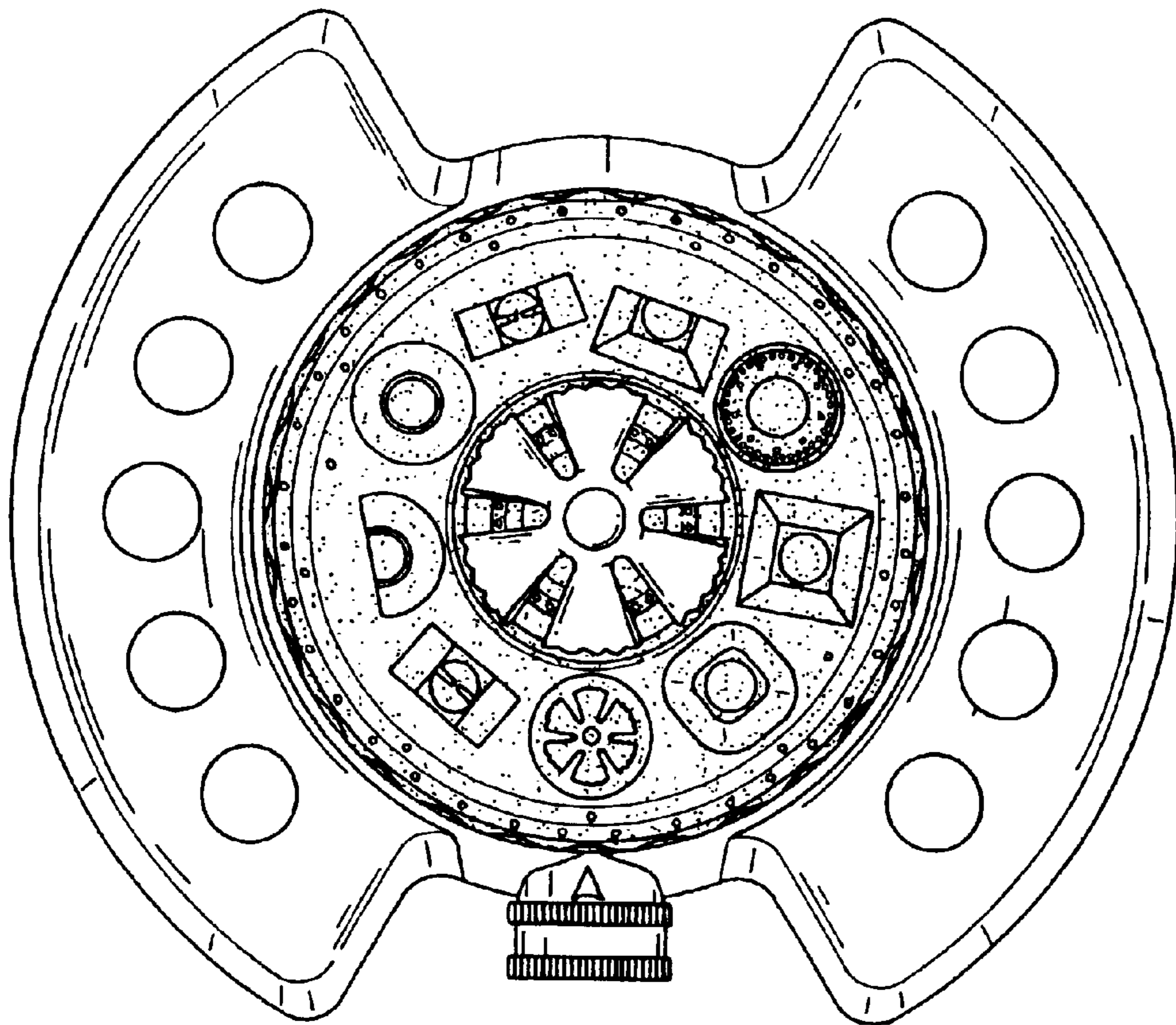


FIG. 5

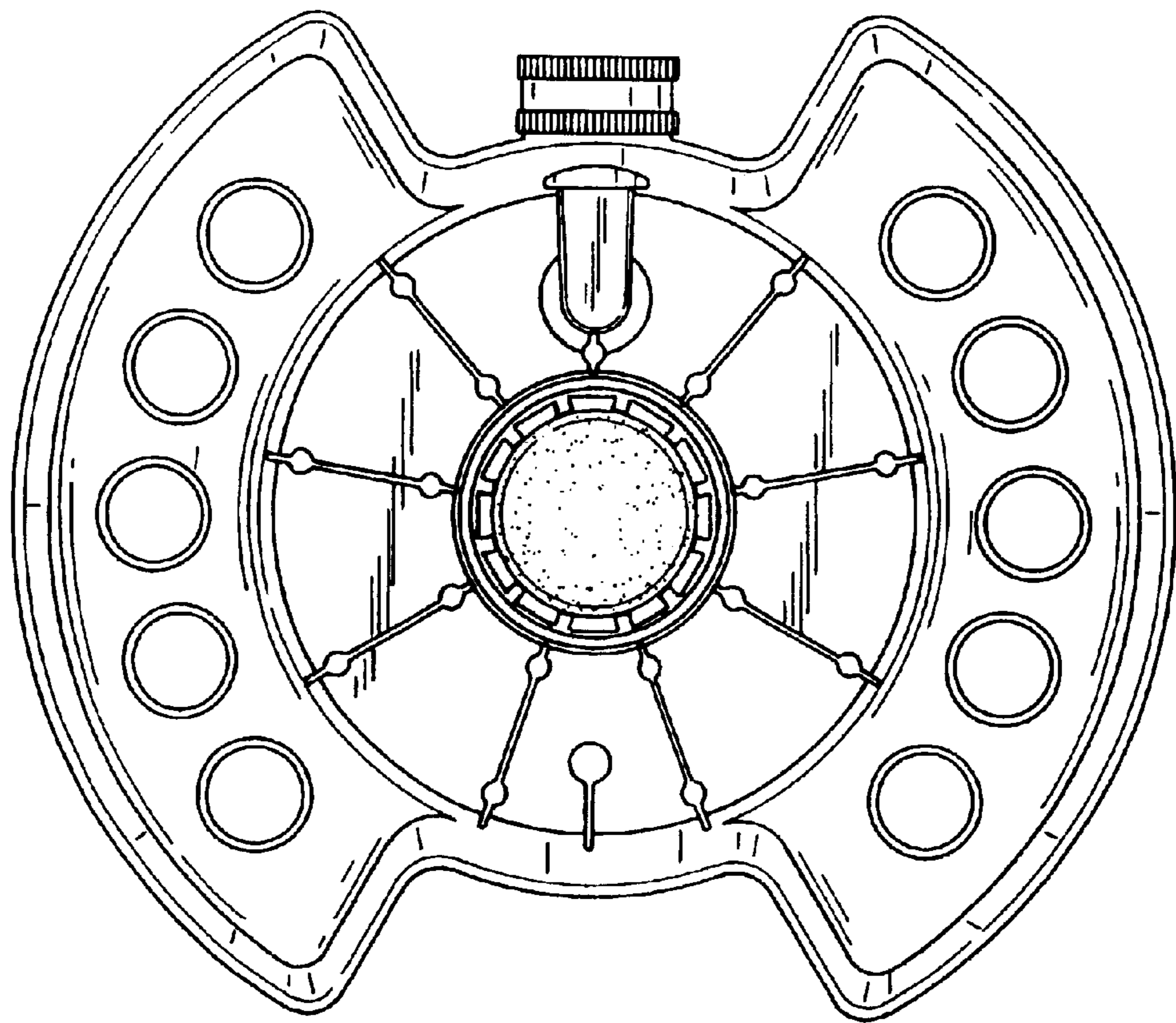


FIG. 6