



US00D488530S

(12) **United States Design Patent**
Peterson

(10) **Patent No.:** **US D488,530 S**

(45) **Date of Patent:** **** Apr. 13, 2004**

(54) **INFLATABLE FLOAT**

(75) **Inventor:** **Leroy L. Peterson, Omaha, NE (US)**

(73) **Assignee:** **Sportsstuff, Inc., Omaha, NE (US)**

(**) **Term:** **14 Years**

(21) **Appl. No.:** **29/178,050**

(22) **Filed:** **Mar. 20, 2003**

(51) **LOC (7) Cl.** **21-02**

(52) **U.S. Cl.** **D21/803**

(58) **Field of Search** D21/801, 803,
D21/809, 810, 769, 770, 797; D12/316;
D6/601, 604, 605, 596, 335, 356, 361,
369, 375; 297/452.41; 441/35, 40-43, 66,
67, 88, 129-132; 114/345, 346, 253; 472/128,
129

(56) **References Cited**

U.S. PATENT DOCUMENTS

- 1,960,474 A * 5/1934 Browne 441/129
- 2,350,679 A * 6/1944 Hann 297/452.41
- D187,313 S * 2/1960 Denyer D21/803
- 3,653,084 A * 4/1972 Hartman 441/40
- D287,828 S * 1/1987 Pollock et al. D10/47
- 5,219,307 A * 6/1993 Morrison 441/38

- 5,476,404 A * 12/1995 Price 441/131
- D428,955 S * 8/2000 Peterson D21/801
- 6,328,385 B1 * 12/2001 Lau 297/452.41
- 6,447,426 B2 * 9/2002 Peterson 482/27
- 6,508,682 B1 * 1/2003 Clark 441/40

OTHER PUBLICATIONS

Casad Water Sports Equipment, p. 18, Tube Water Toys.*

* cited by examiner

Primary Examiner—Lucy Lieberman

(74) *Attorney, Agent, or Firm*—Sturm & Fix LLP

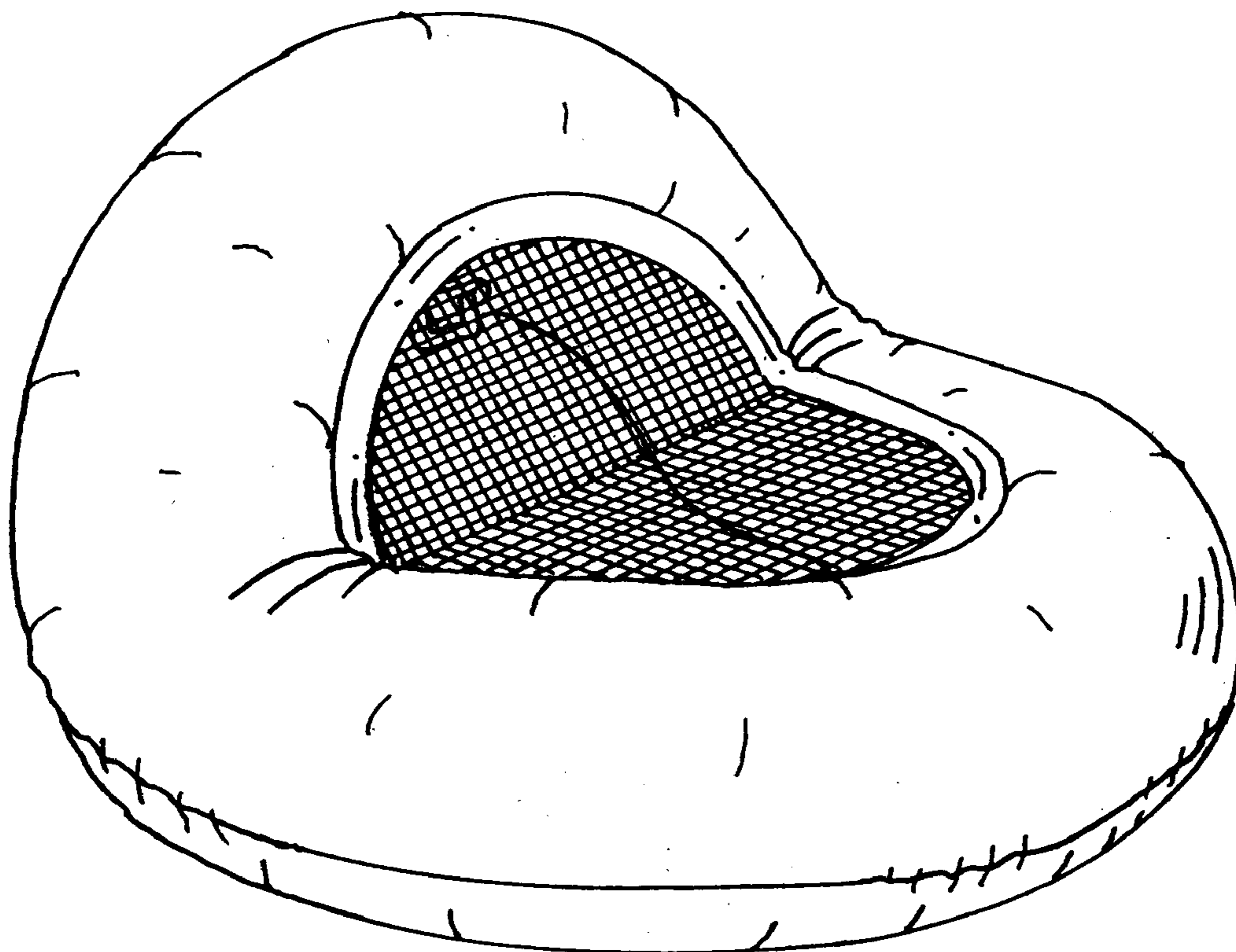
(57) **CLAIM**

The ornamental design for an inflatable float, as shown and described.

DESCRIPTION

FIG. 1 is a perspective view of an inflatable float showing my new design;
 FIG. 2 is a left side elevation thereof, the right side elevation is a mirror image thereto;
 FIG. 3 is a front elevational view thereof;
 FIG. 4 is a top plan view thereof;
 FIG. 5 is a bottom plan view thereof; and,
 FIG. 6 is a rear elevational view thereof.

1 Claim, 2 Drawing Sheets



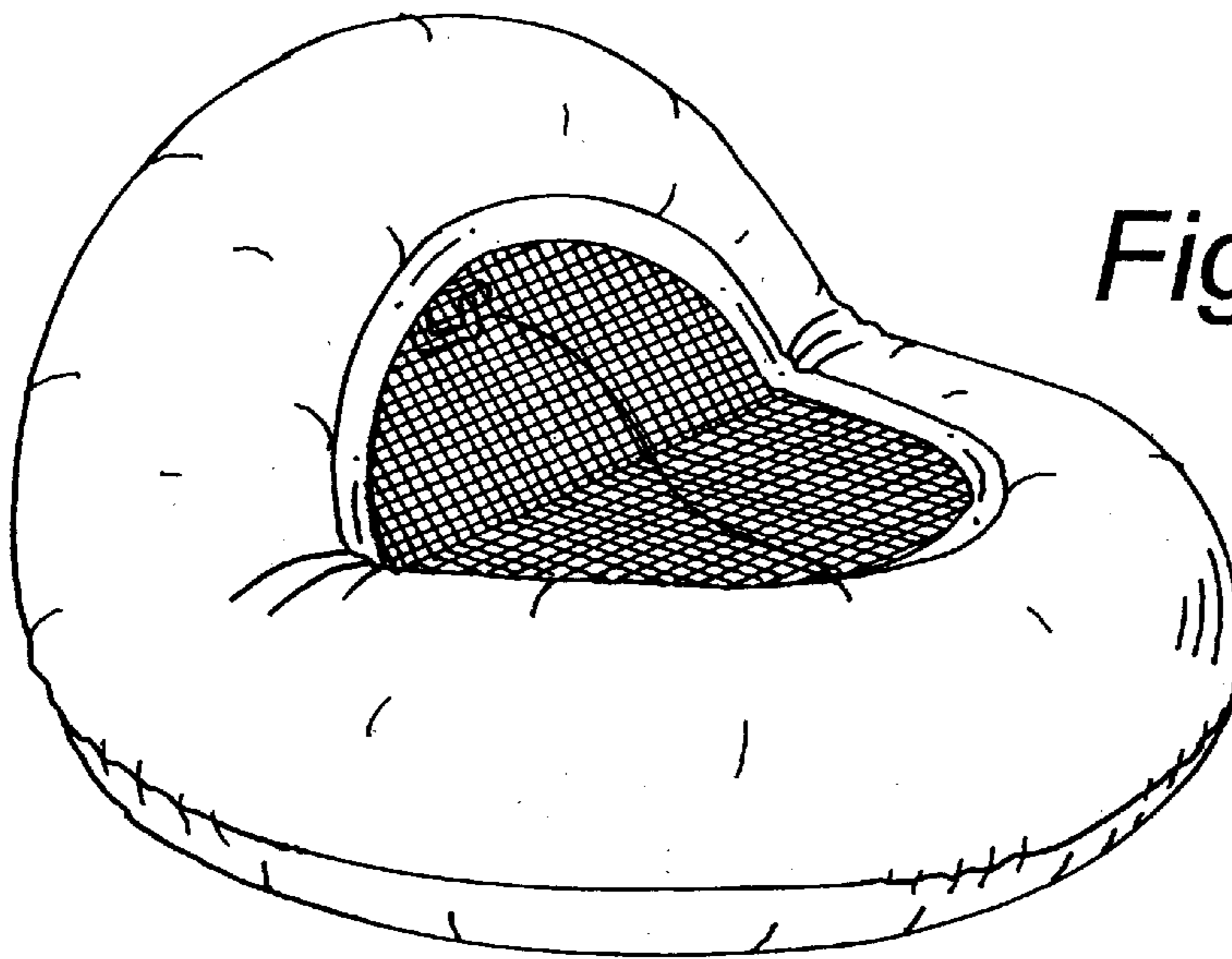


Fig. 1

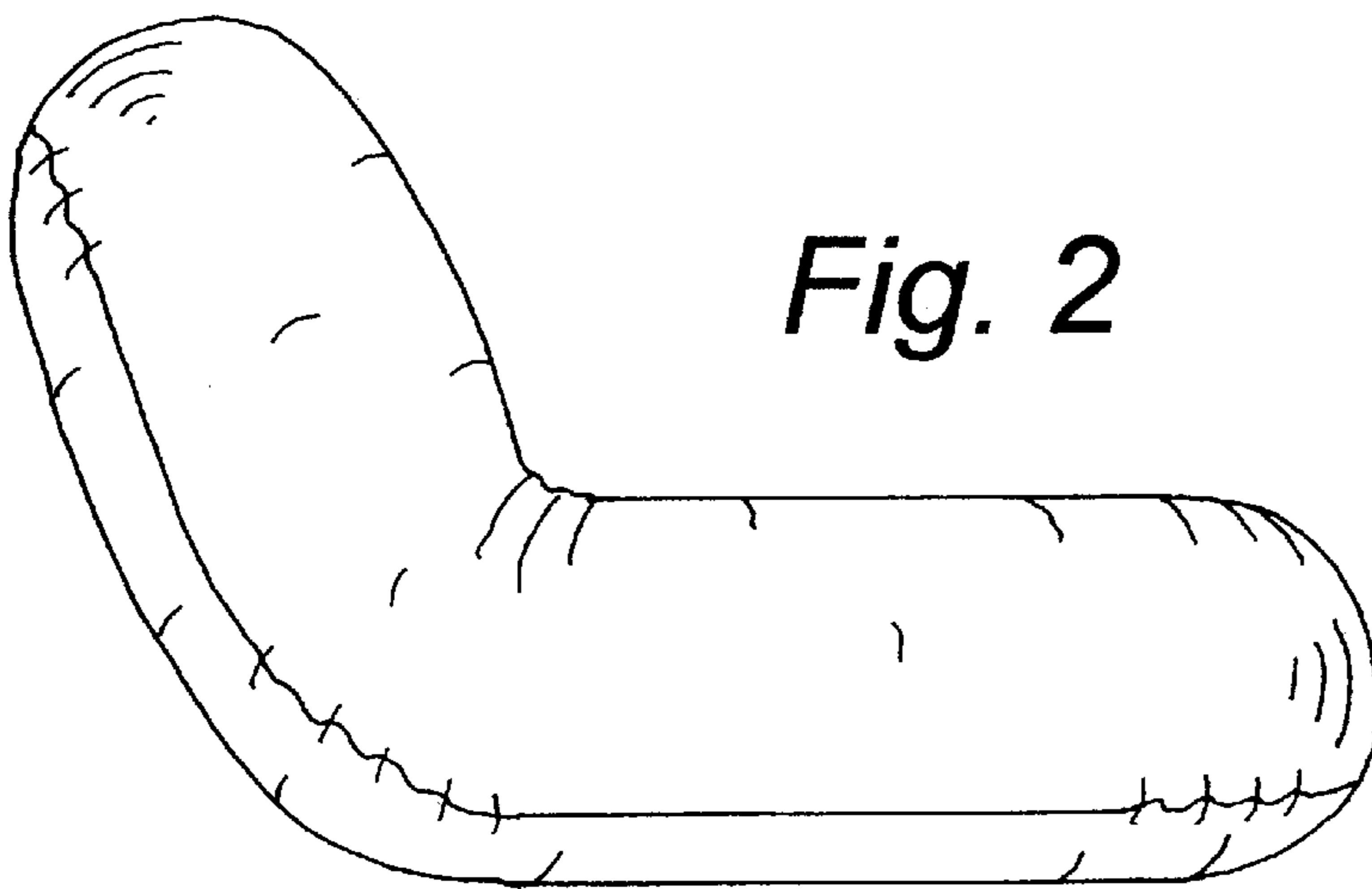


Fig. 2

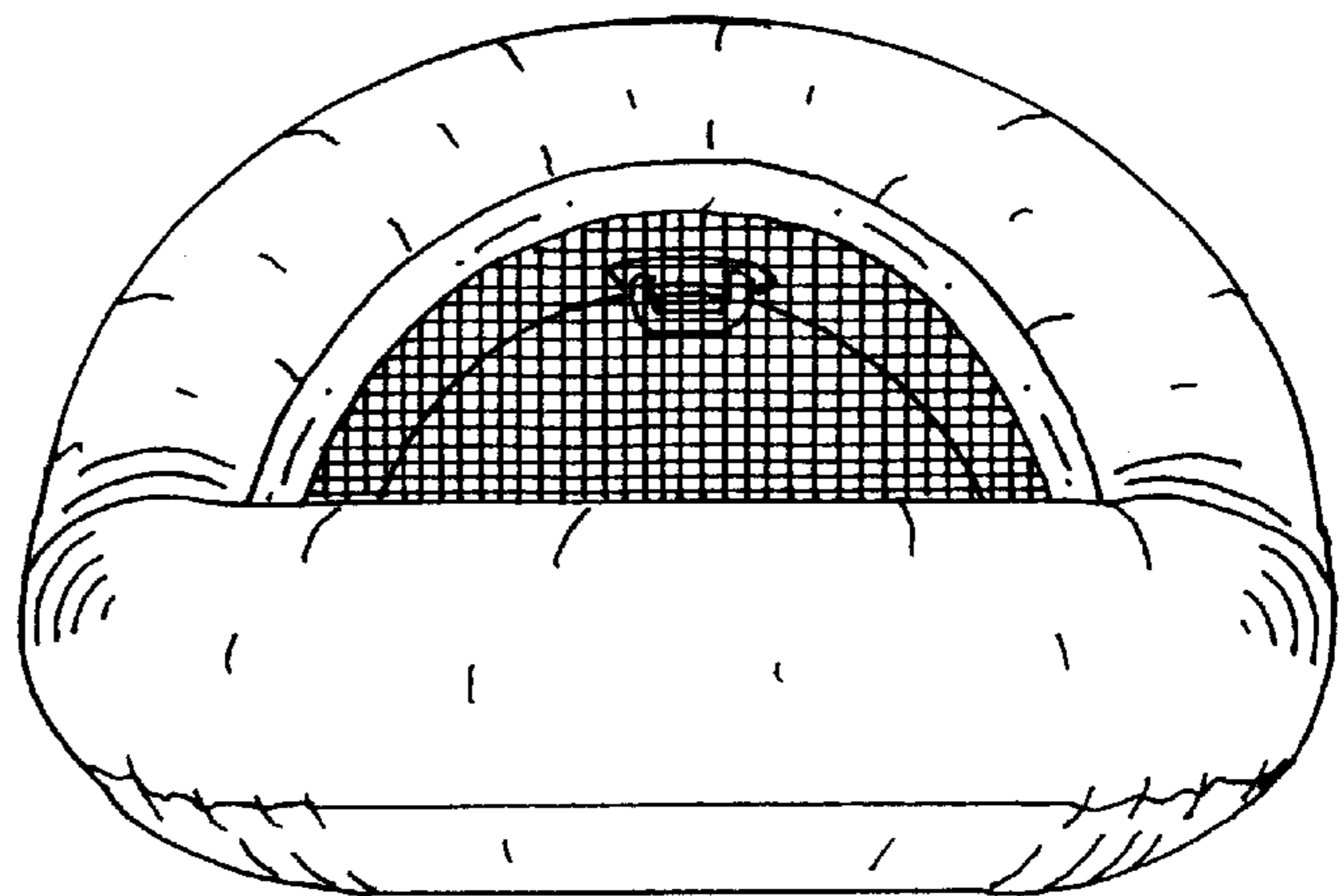


Fig. 3

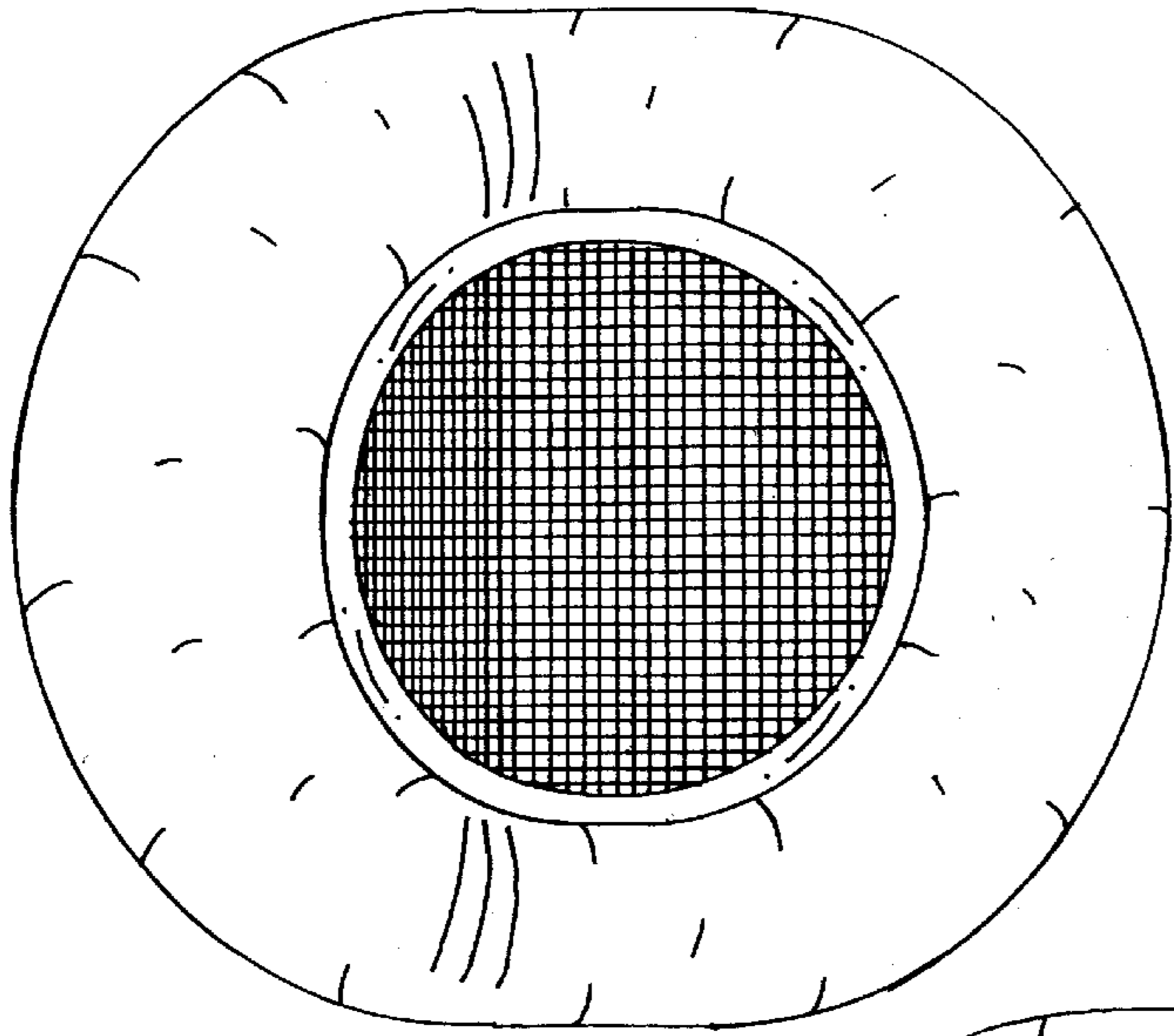


Fig. 4

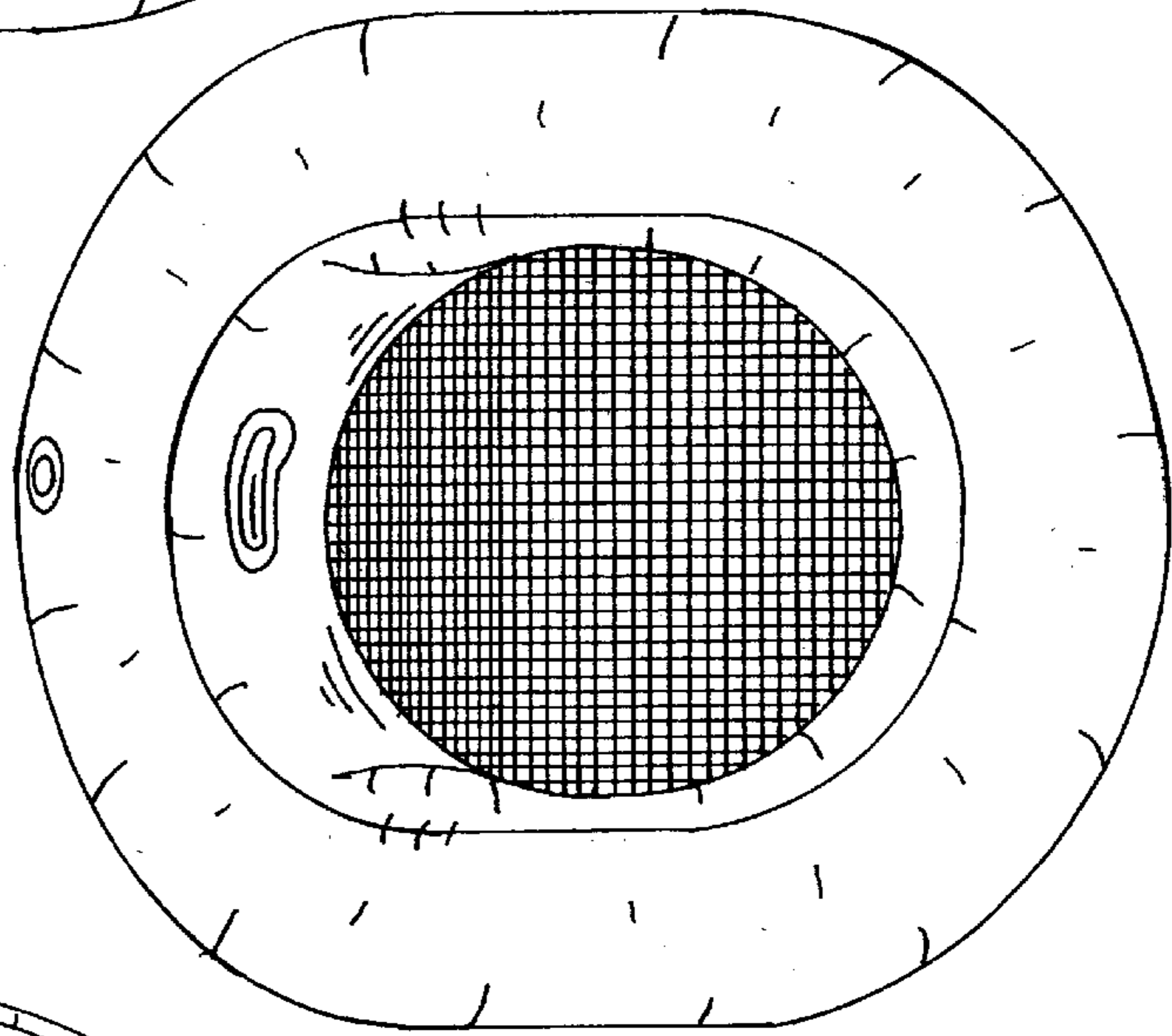


Fig. 5

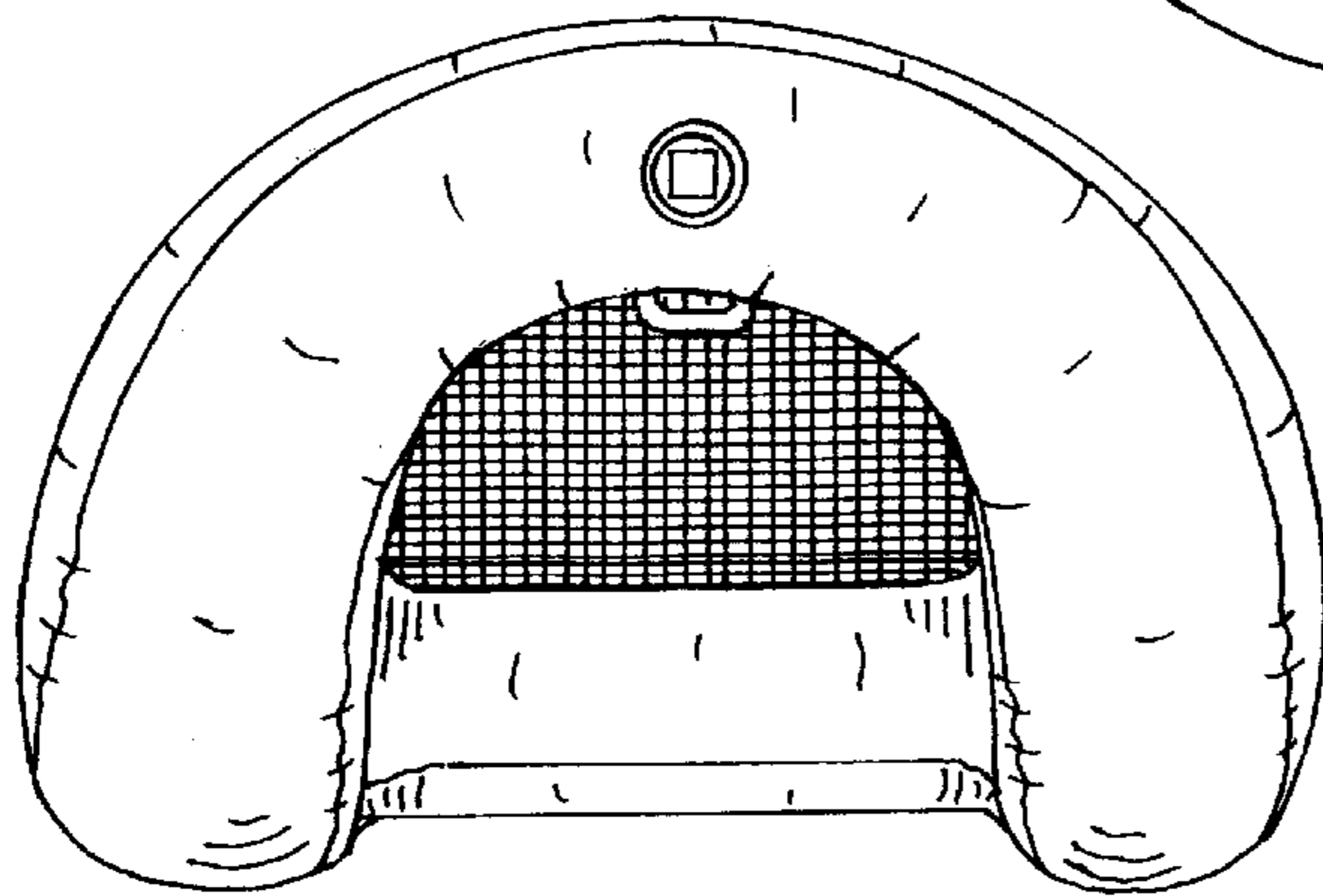


Fig. 6