



US00D488526S

(12) **United States Design Patent**
Souza et al.

(10) **Patent No.:** **US D488,526 S**

(45) **Date of Patent:** **** Apr. 13, 2004**

(54) **GOLF PUTTER HEAD**

(75) Inventors: **John C. Souza**, Phoenix, AZ (US);
Anthony D. Serrano, Peoria, AZ (US)

(73) Assignee: **Karsten Manufacturing Corporation**,
Phoenix, AZ (US)

(**) Term: **14 Years**

(21) Appl. No.: **29/179,048**

(22) Filed: **Apr. 2, 2003**

(51) **LOC (7) Cl.** **21-02**

(52) **U.S. Cl.** **D21/738**

(58) **Field of Search** D21/736-746;
473/251-256, 324, 327-330, 340, 341

(56) **References Cited**

U.S. PATENT DOCUMENTS

D235,668 S	*	7/1975	Swash	D21/739
D255,373 S		6/1980	Solheim		
D281,178 S		10/1985	Brockenshire		
D334,039 S	*	3/1993	Tanaka	D21/739
D341,405 S		11/1993	Solheim		
D379,484 S		5/1997	Solheim		
D380,029 S		6/1997	Anderson		
D399,911 S		10/1998	Nicolette		
D405,137 S		2/1999	Nelson		
D410,717 S		6/1999	Anderson		
D411,271 S		6/1999	Nelson		
6,017,280 A	*	1/2000	Hubert	473/324
D437,017 S	*	1/2001	Ford	D21/744

D449,865 S		10/2001	Fife		
D451,973 S		12/2001	Wells		
D460,990 S	*	7/2002	Jung	D21/736

* cited by examiner

Primary Examiner—Mitchell Siegel

(74) *Attorney, Agent, or Firm*—Darrell F. Marquette

(57) **CLAIM**

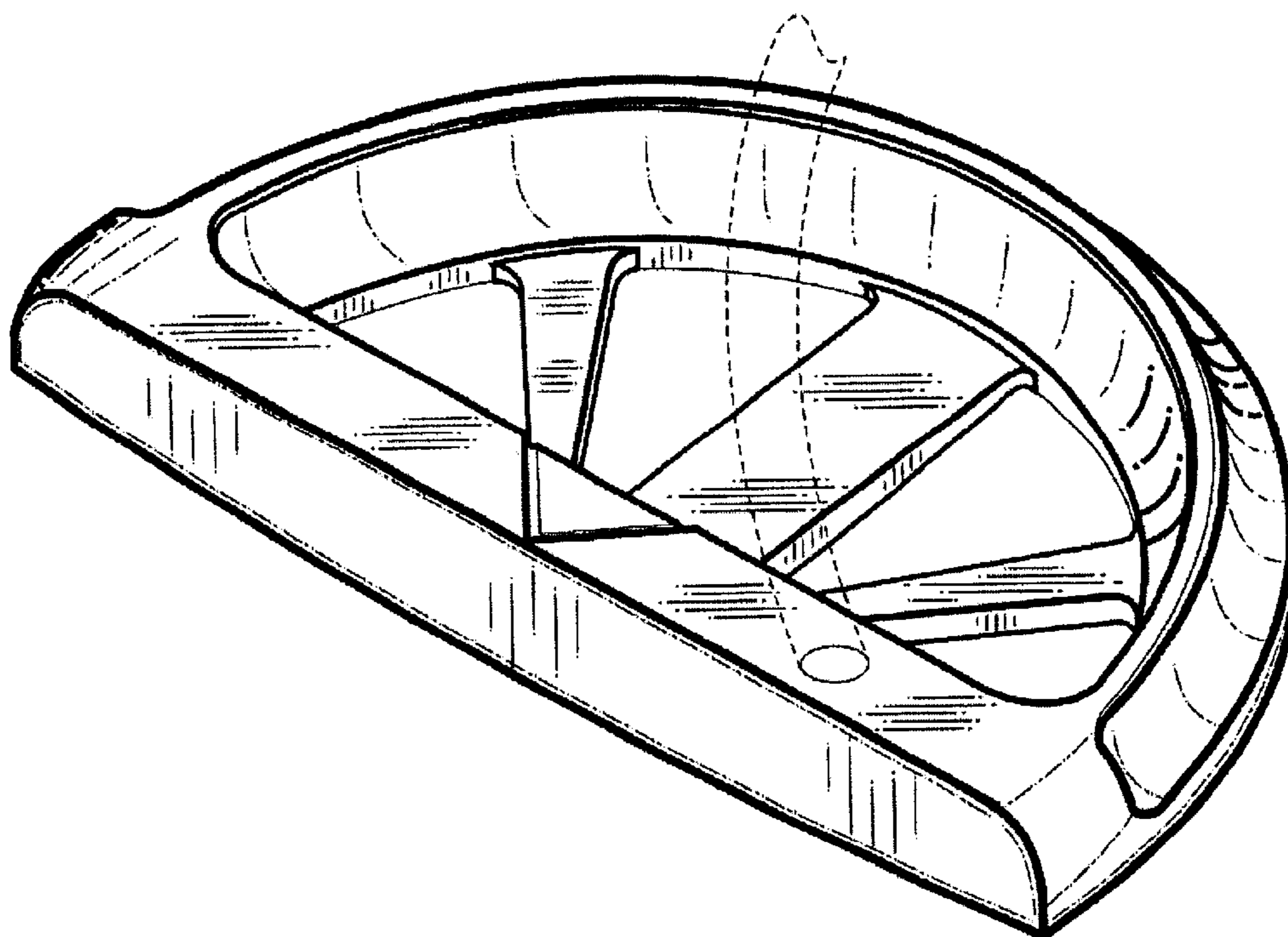
We claim the ornamental design for a golf putter head, as shown and described.

DESCRIPTION

FIG. 1 is perspective view of a golf putter head showing our new design;
 FIG. 2 is a rear elevational view of the golf putter head shown in FIG. 1;
 FIG. 3 is a top plan view of the golf putter head shown in FIG. 1;
 FIG. 4 is a front elevational view of the golf putter head shown in FIG. 1;
 FIG. 5 is a heel end view of a golf putter head shown in FIG. 1;
 FIG. 6 is a bottom view of the golf putter head shown in FIG. 1; and,
 FIG. 7 is a toe end view of the golf putter head shown in FIG. 1.

The shaft portions shown in FIGS. 1, 2, 4, 5 and 7 are for illustrative purposes only and form no part of the claimed design.

1 Claim, 3 Drawing Sheets



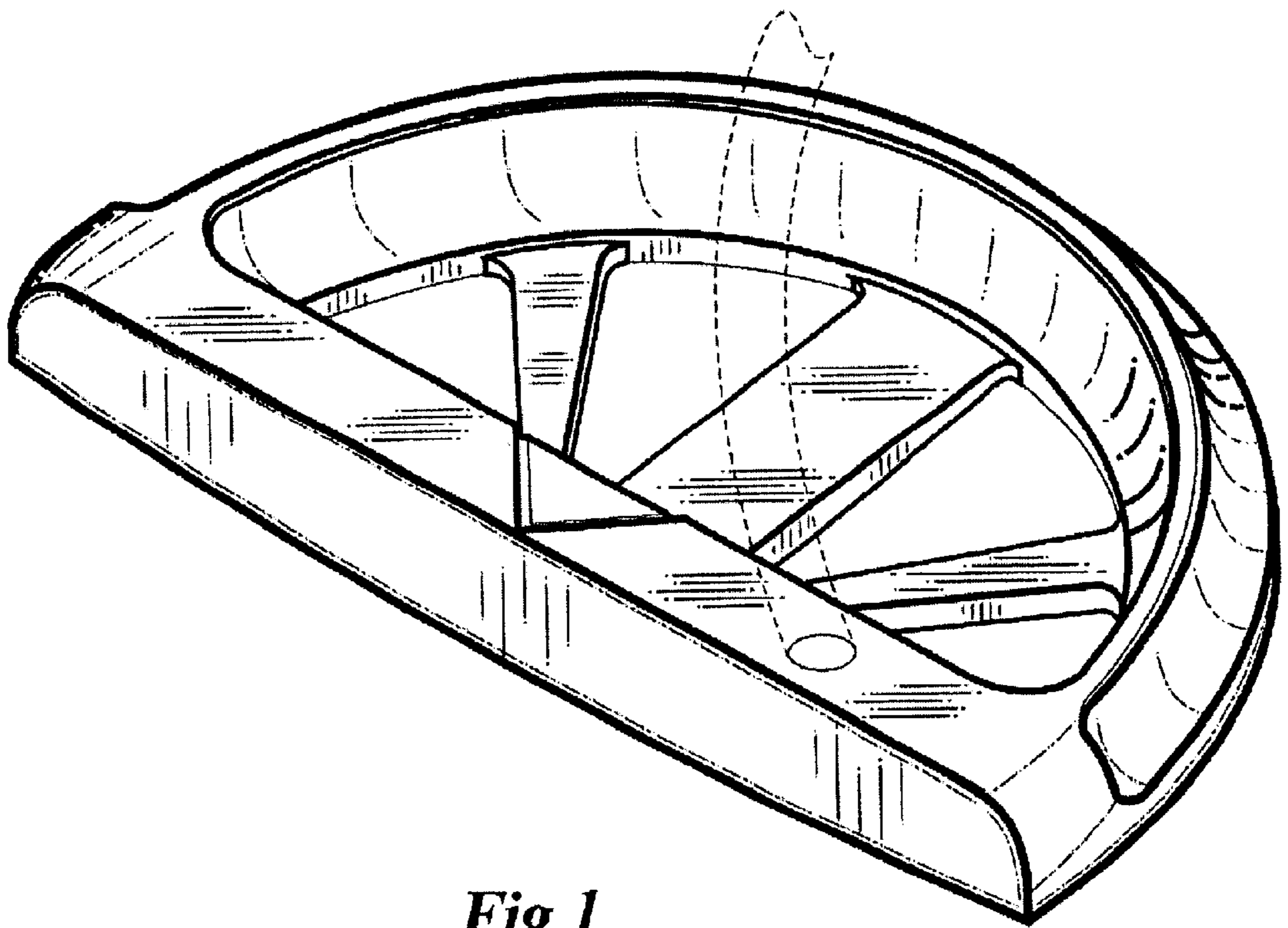


Fig.1

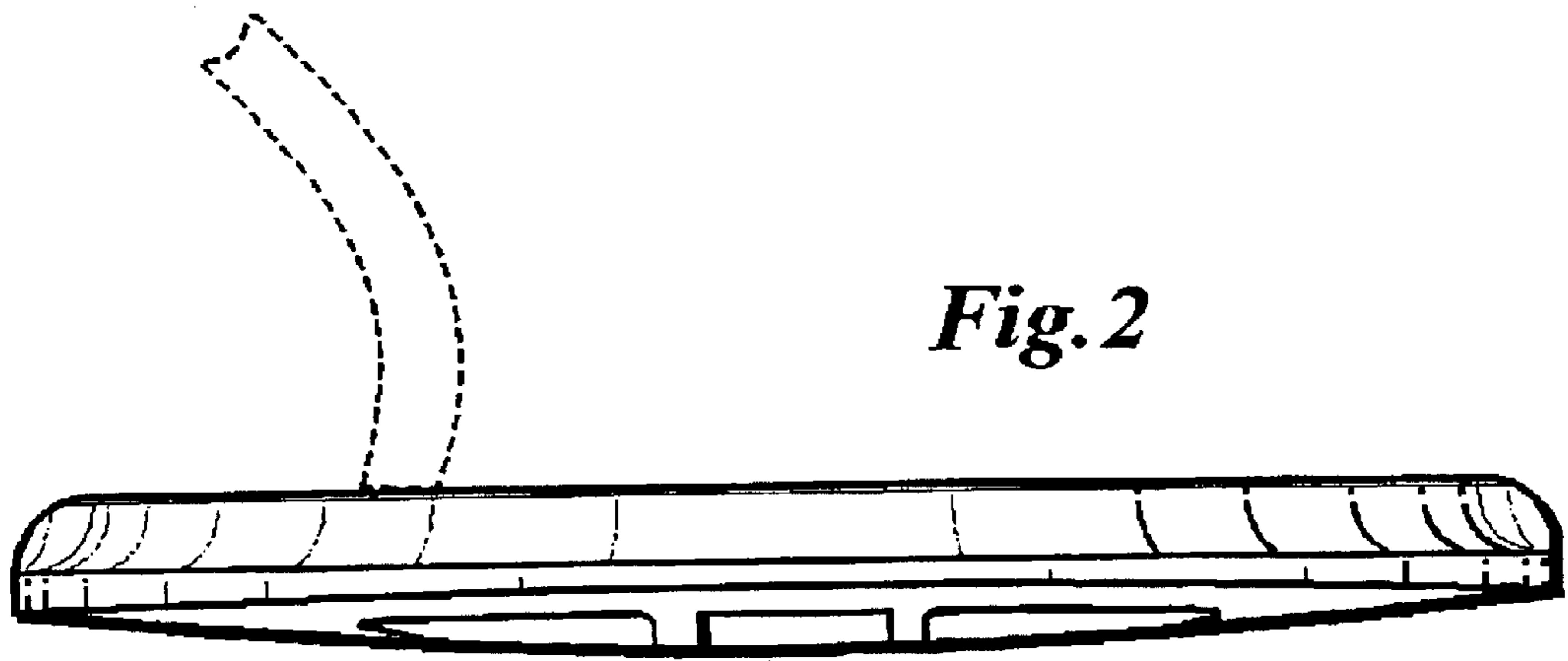


Fig. 2

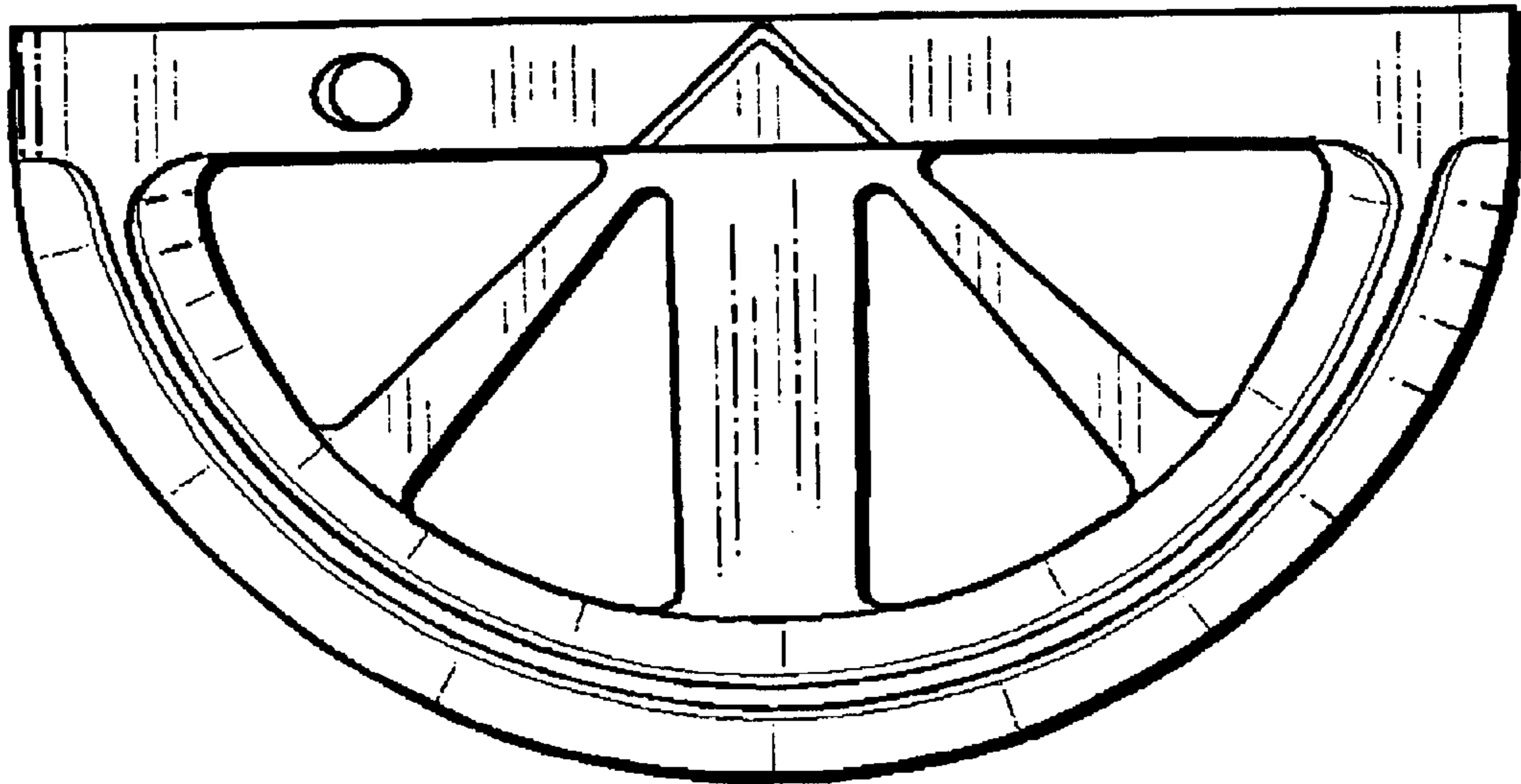


Fig. 3

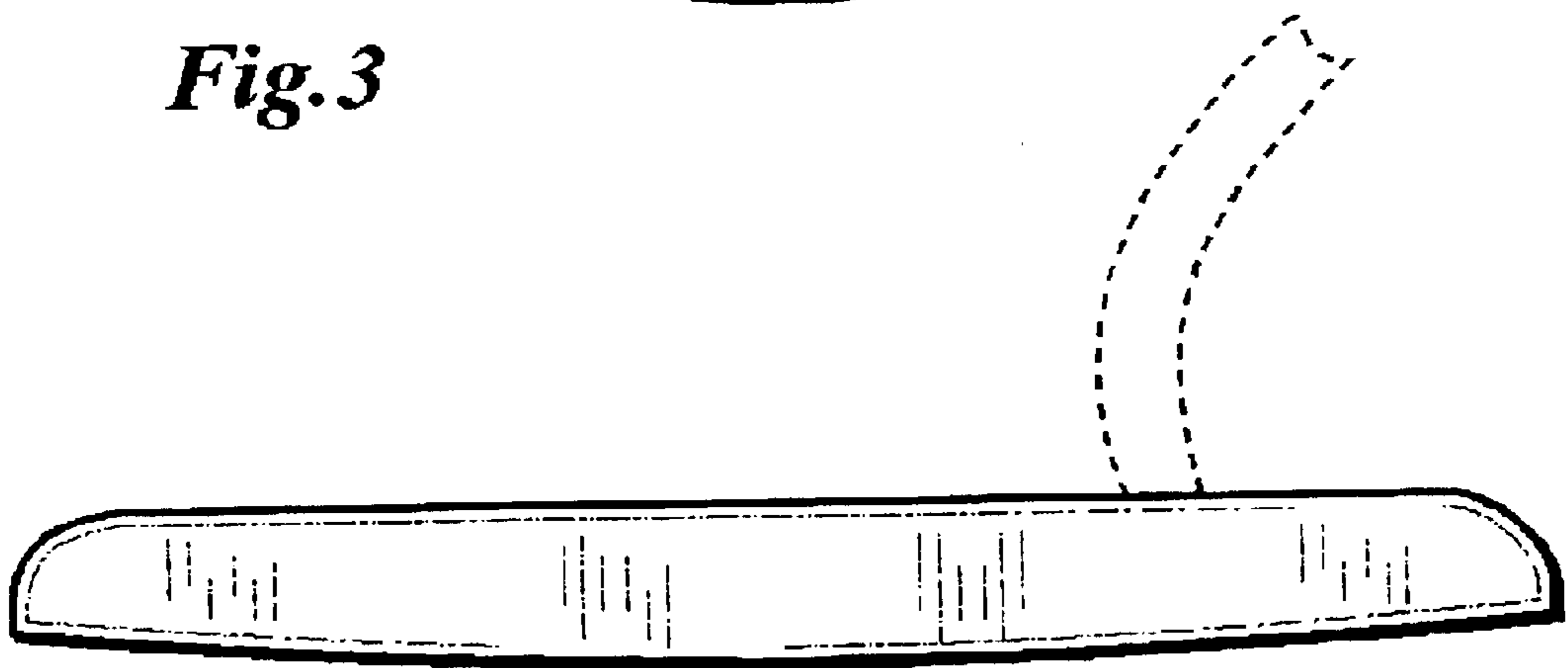


Fig. 4

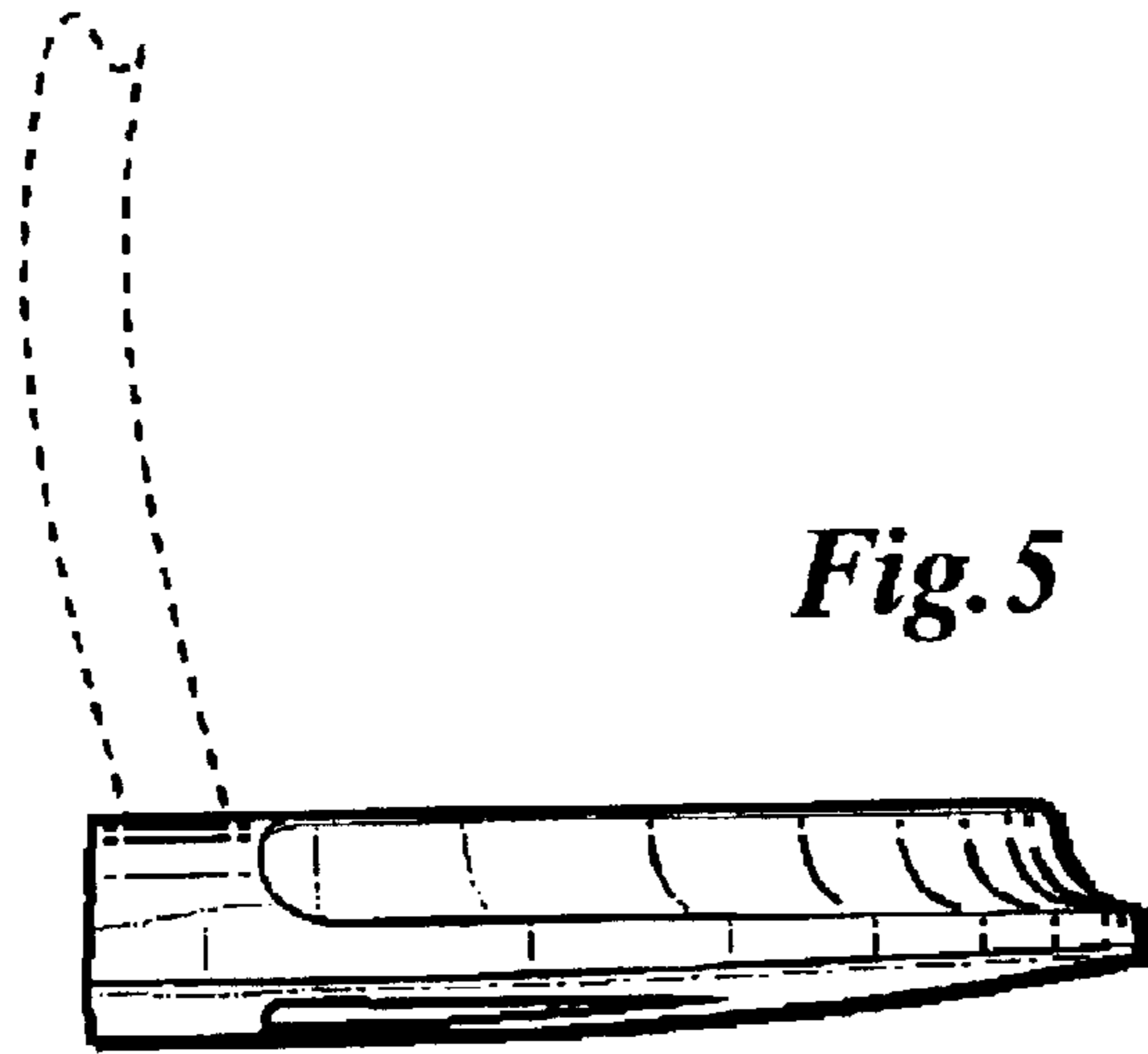


Fig. 5

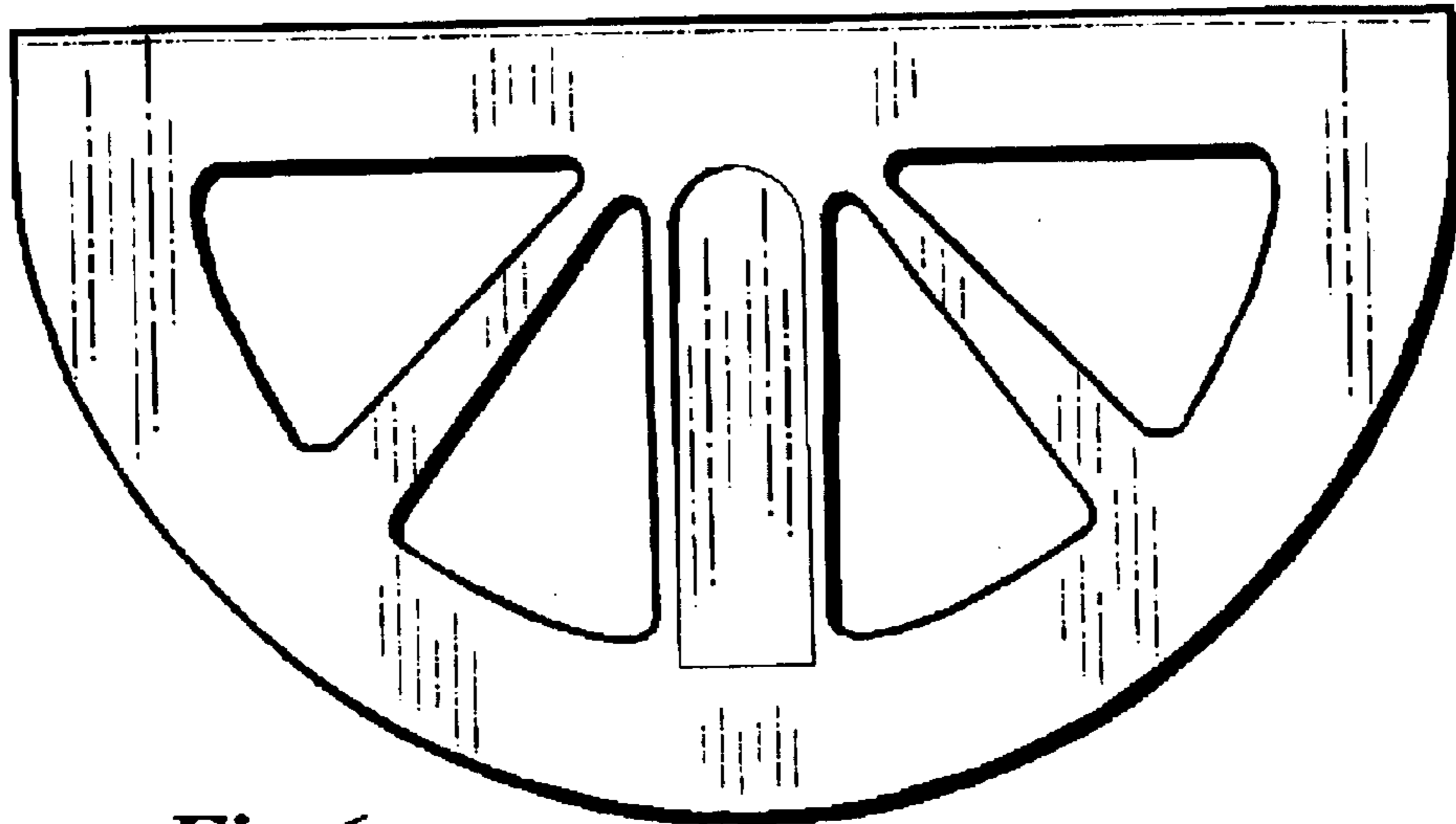


Fig. 6

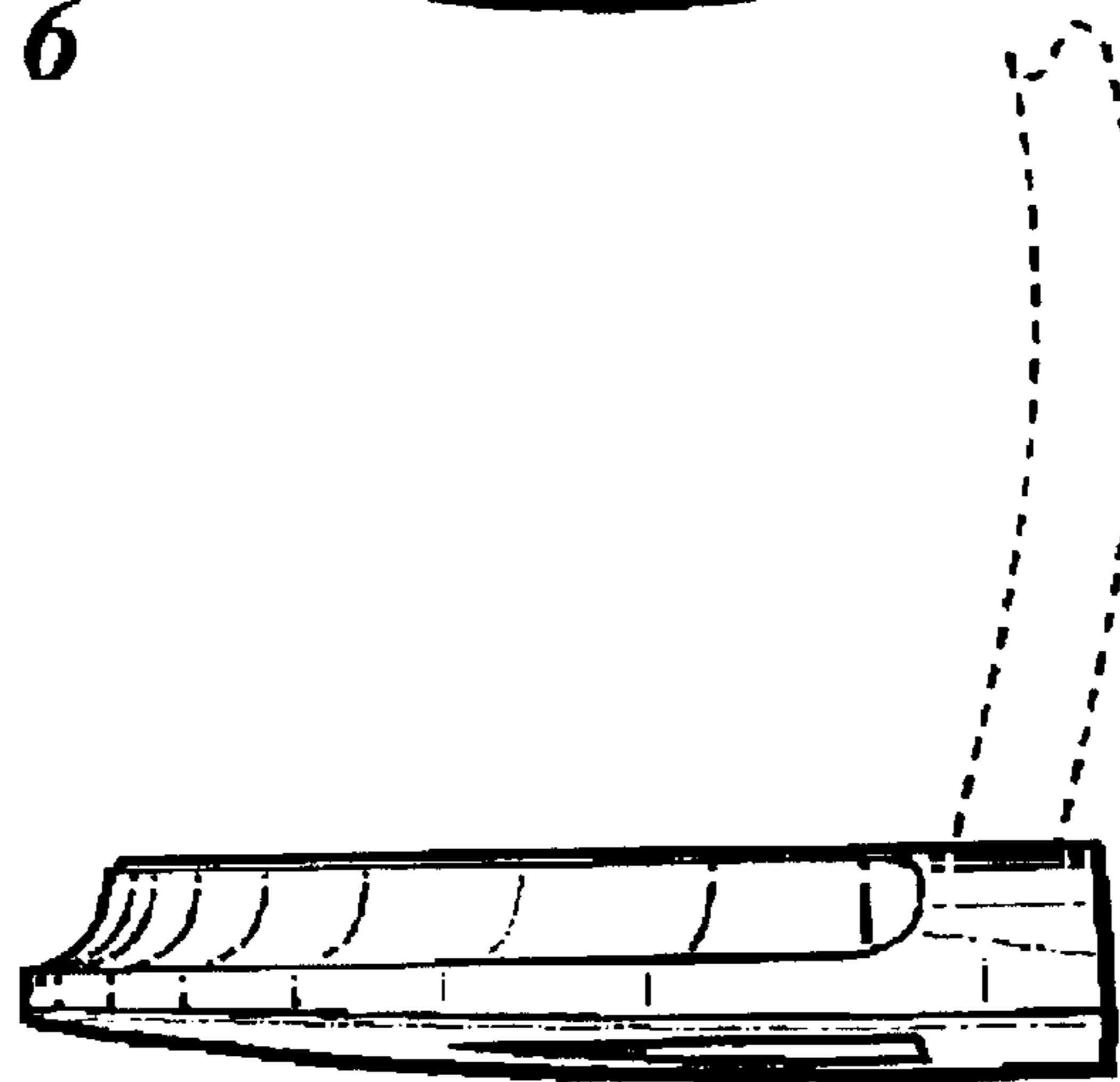


Fig. 7