



US00D488522S

(12) **United States Design Patent**
Powers

(10) **Patent No.:** **US D488,522 S**

(45) **Date of Patent:** **** Apr. 13, 2004**

(54) **TORSO MACHINE**

6,113,522 A 9/2000 Fontenot 482/111
6,248,047 B1 6/2001 Abdo 482/130

(76) **Inventor:** **Stephen W. Powers**, 1397 Mustang,
Lewisville, TX (US) 75067

Primary Examiner—Philip S. Hyder
(74) *Attorney, Agent, or Firm*—Craig Hoersten

(**) **Term:** **14 Years**

(57) **CLAIM**

(21) **Appl. No.:** **29/179,571**

The ornamental design for a torso machine, as shown and described.

(22) **Filed:** **Apr. 10, 2003**

(51) **LOC (7) Cl.** **21-02**

DESCRIPTION

(52) **U.S. Cl.** **D21/676**

FIG. 1 is a perspective view of the present invention;
FIG. 2 is a top view of the of the present invention;
FIG. 3 is a bottom view of the present invention;
FIG. 4 is a left side elevational view of the present invention,
the right side elevational view being a mirror image thereof;
FIG. 5 is a front elevational view of the present invention;
and,
FIG. 6 is a rear elevational view of the present invention.

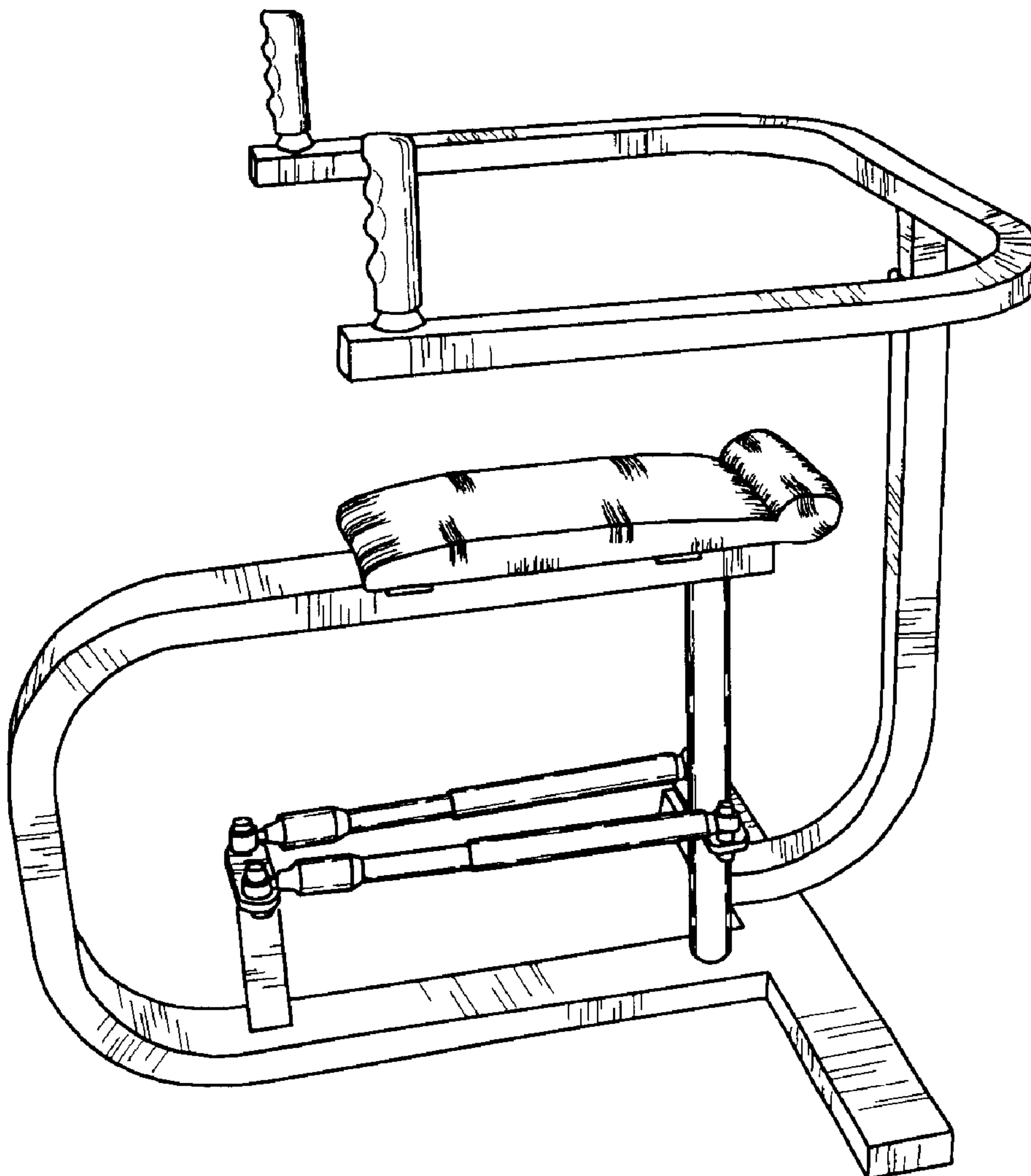
(58) **Field of Search** D21/672, 662,
D21/673, 674, 675, 676, 690; 482/111,
112, 123, 129, 130, 133

(56) **References Cited**

U.S. PATENT DOCUMENTS

D281,712 S	12/1985	Stedman	D21/676
4,733,860 A	3/1988	Steffee	482/136
D344,993 S	3/1994	Laratta	D21/676

1 Claim, 2 Drawing Sheets



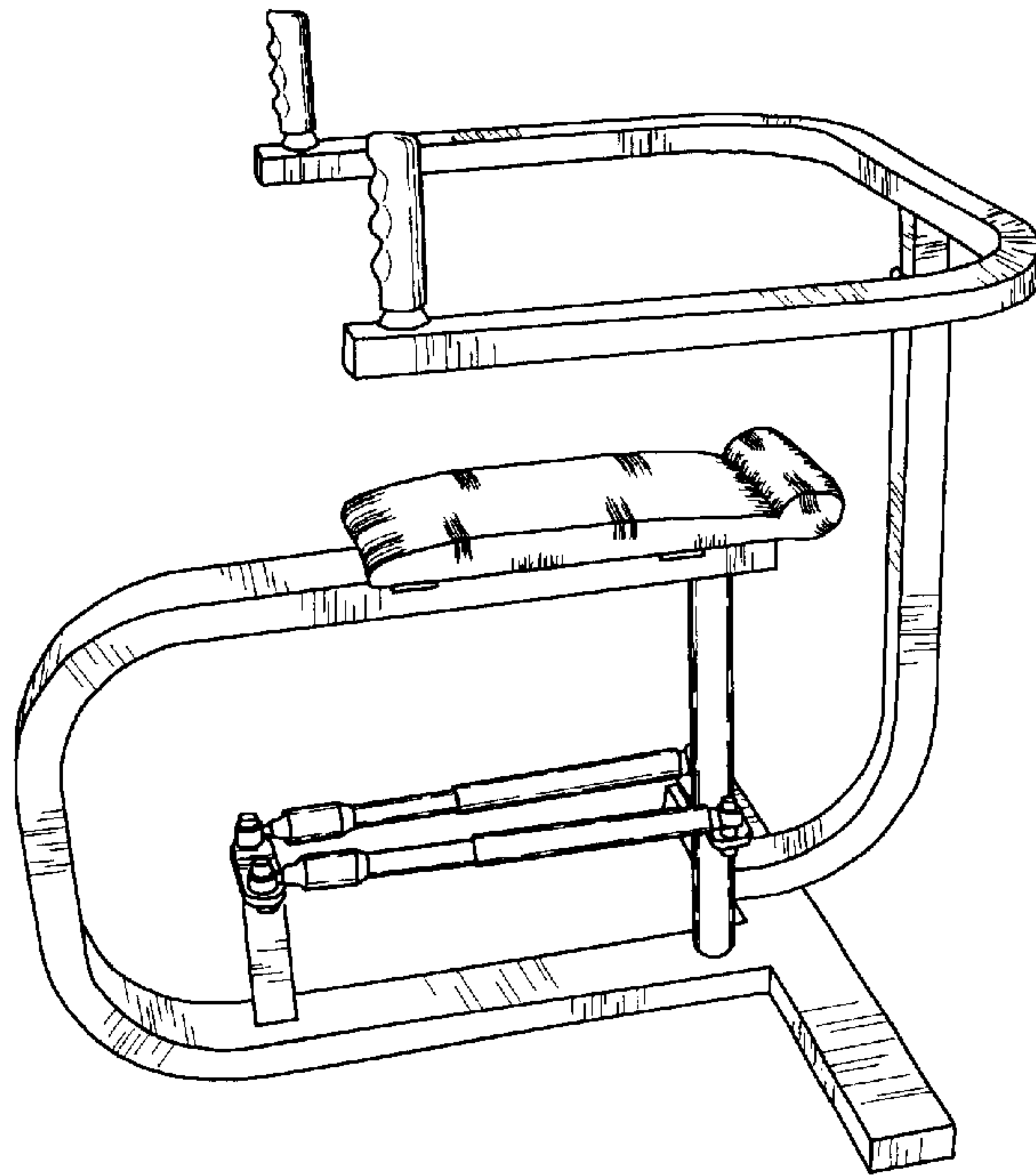


FIGURE 1

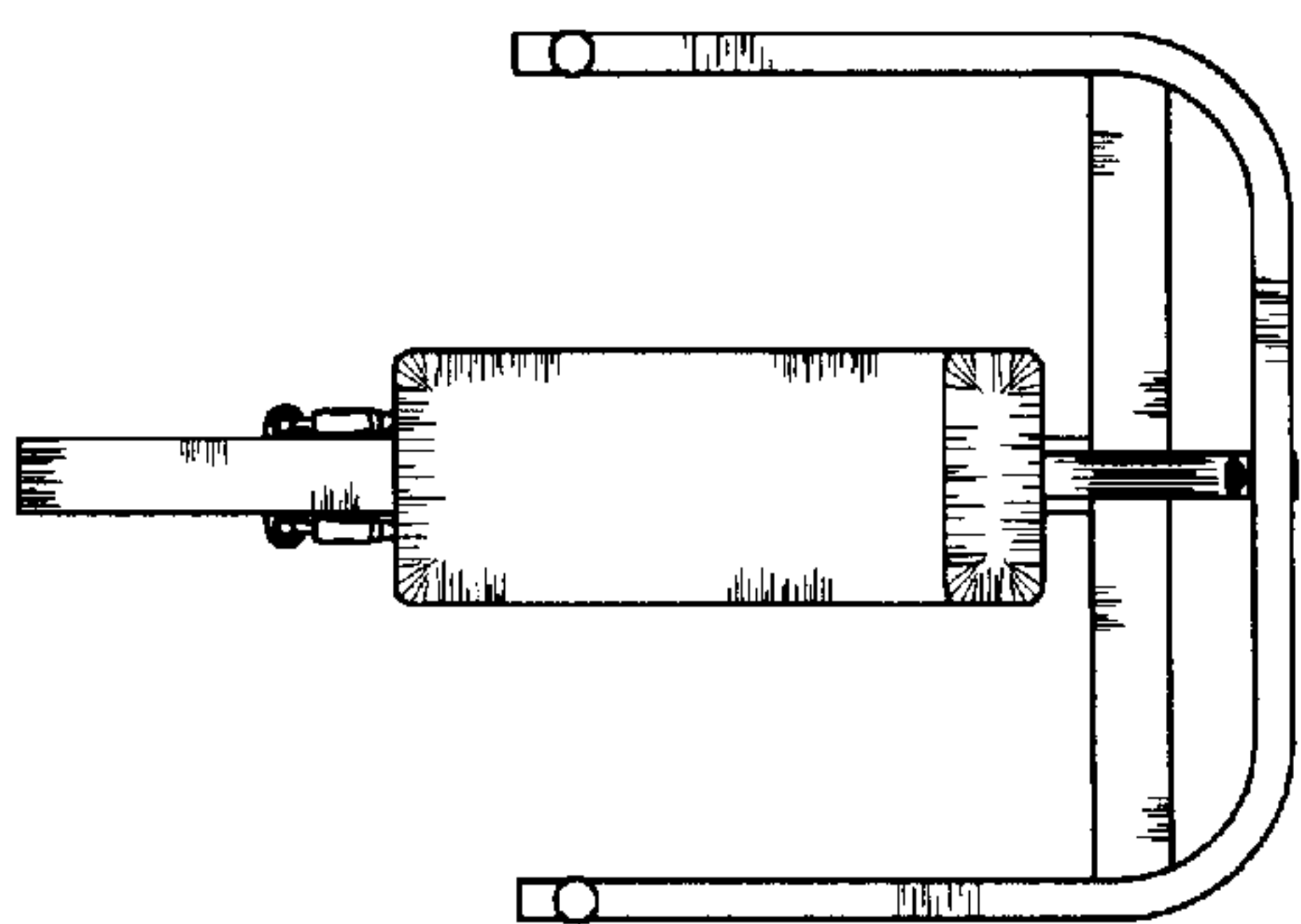


FIGURE 2

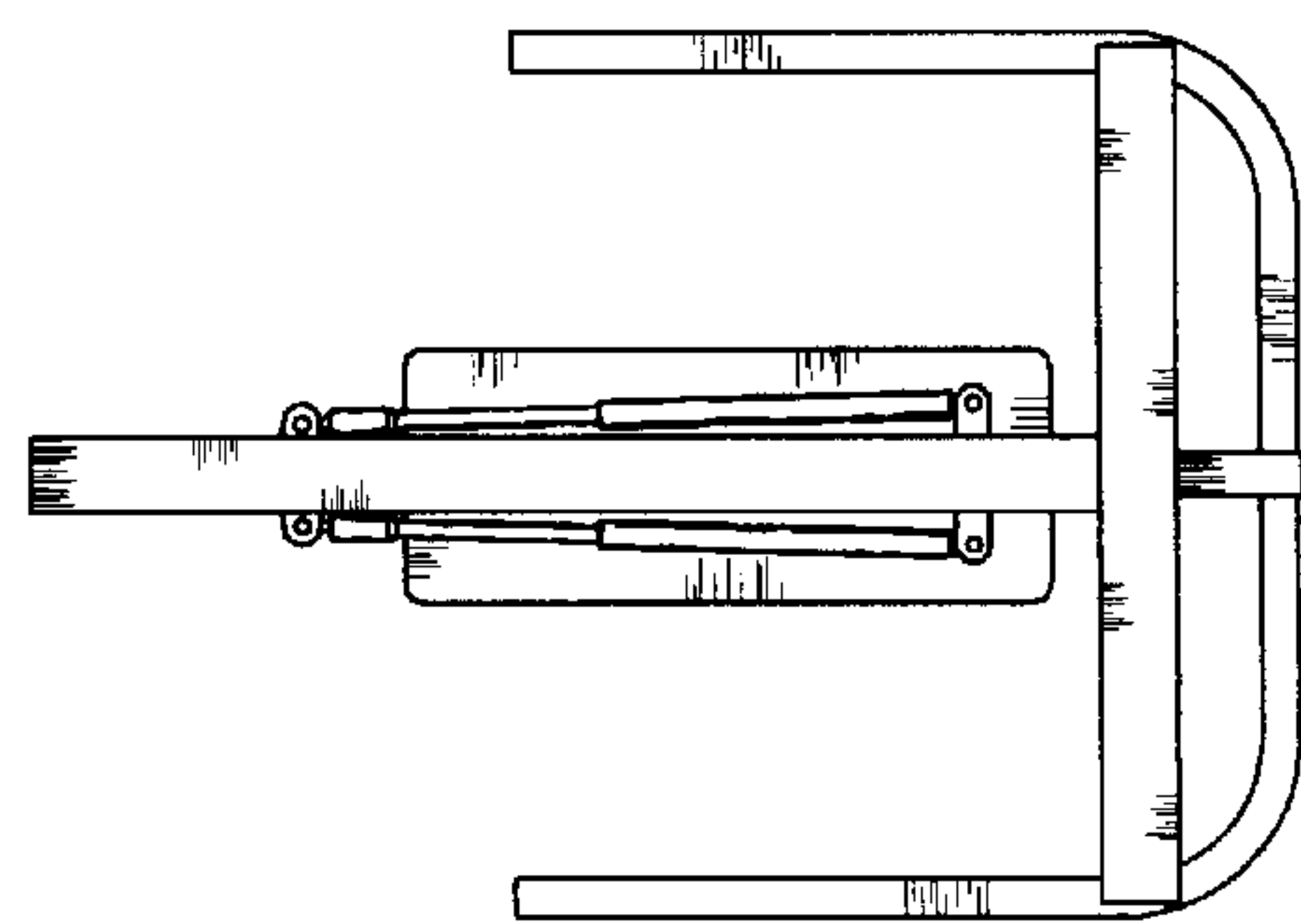


FIGURE 3

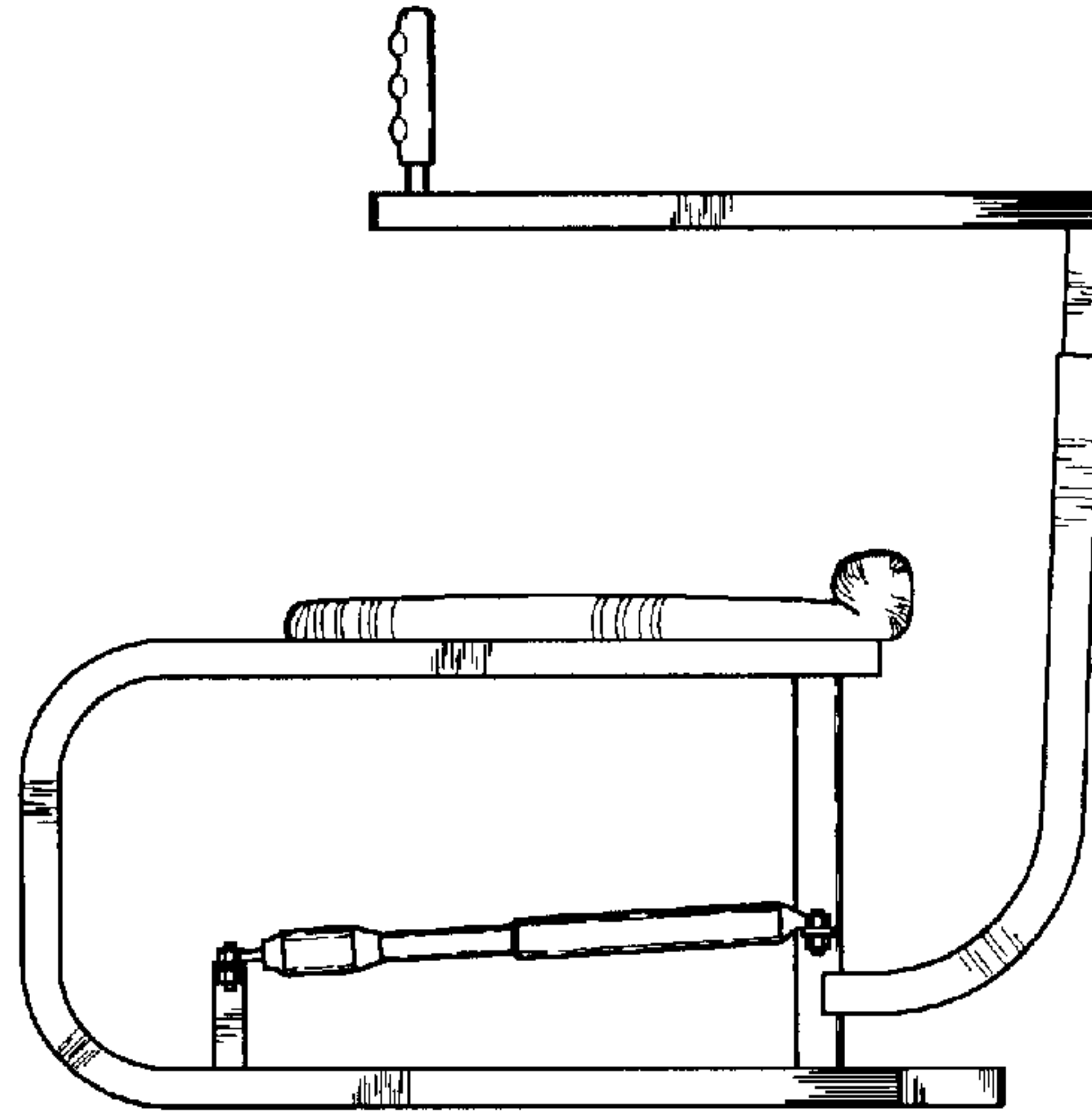


FIGURE 4

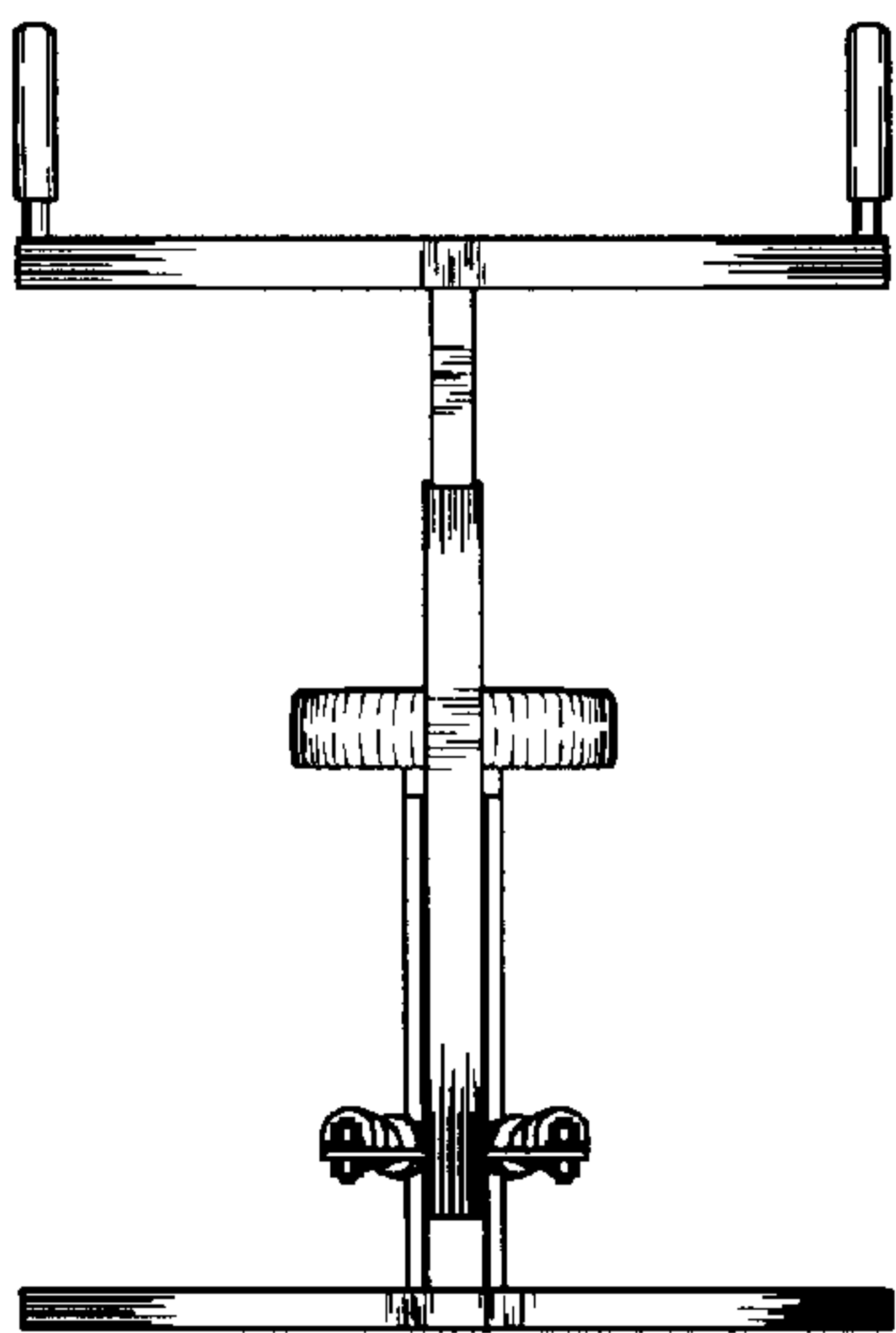


FIGURE 5

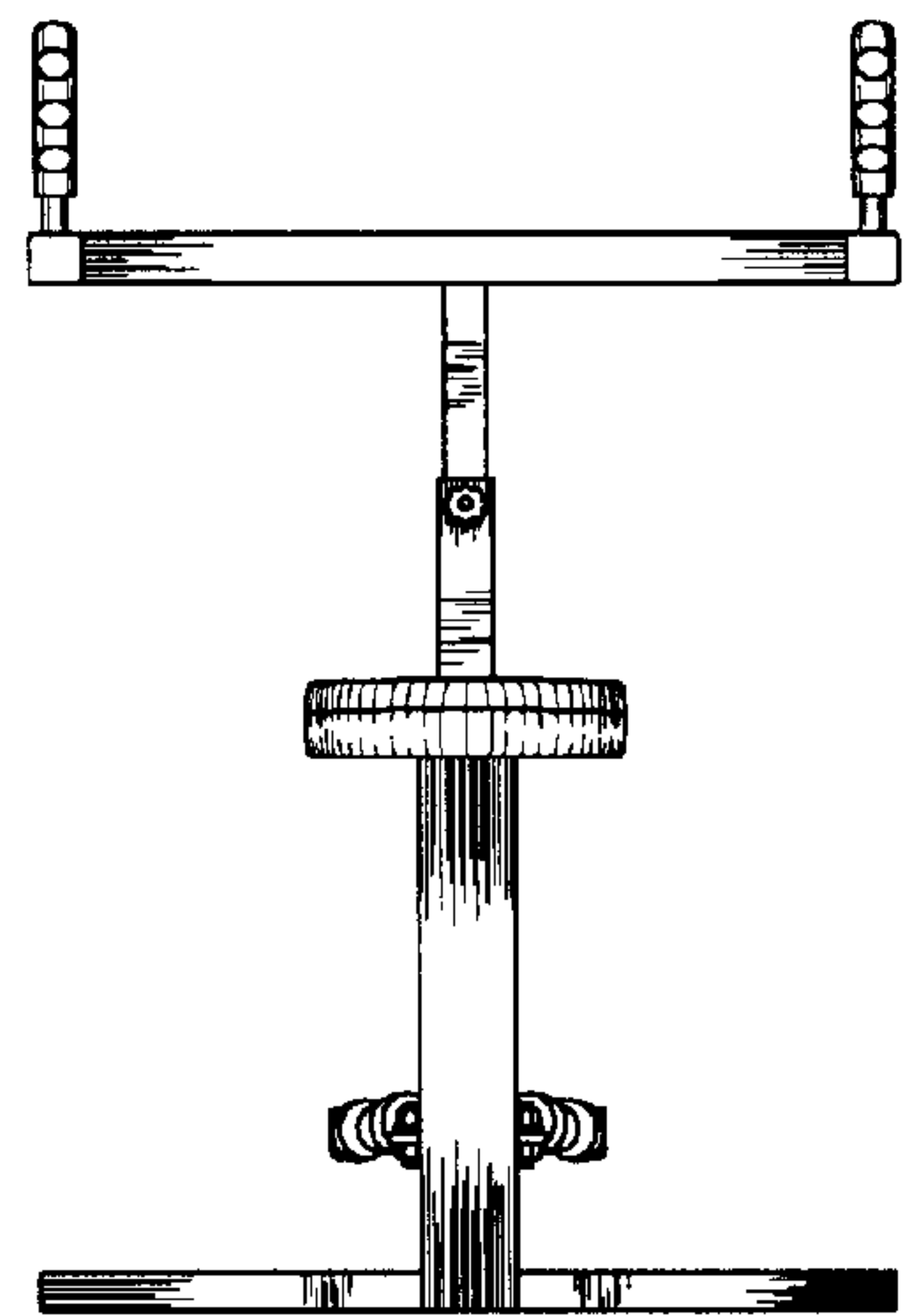


FIGURE 6