



US00D488521S

(12) **United States Design Patent**
Byrd

(10) **Patent No.:** **US D488,521 S**

(45) **Date of Patent:** **** Apr. 13, 2004**

(54) **MINIATURE SPACE WEAPON**

D361,105 S * 8/1995 Griffin D21/574
5,630,406 A * 5/1997 Dumont 124/73

(76) **Inventor:** **William Jeffrey Byrd**, 7915 Severn
Tree Blvd., Severn, MD (US) 21144

* cited by examiner

(**) **Term:** **14 Years**

Primary Examiner—Raphael Barkai
(74) *Attorney, Agent, or Firm*—Law Offices of Royal W.
Craig

(21) **Appl. No.:** **29/182,734**

(22) **Filed:** **May 30, 2003**

(57) **CLAIM**

Related U.S. Application Data

The new, original, and ornamental design for a miniature
space weapon, as shown in FIGS. 1-7.

(62) Division of application No. 29/166,384, filed on Aug. 27,
2002, now Pat. No. Des. 477,642.

DESCRIPTION

(51) **LOC (7) Cl.** **21-01**

FIG. 1 is a perspective view of a miniature space weapon
according to my new design.

(52) **U.S. Cl.** **D21/574**

FIG. 2 is a front view of the miniature space weapon of FIG.
1.

(58) **Field of Search** D21/567-575,
D21/658; D14/428; D23/225-226; D22/103;
446/473, 475, 406, 267, 180, 219, 430;
124/16, 22, 27, 73-76, 83-85; 42/54, 7,
103, 105; 222/78-79

FIG. 3 is a rear view of the miniature space weapon of FIGS.
1-2.

FIG. 4 is a top view of the miniature space weapon of FIGS.
1-3.

(56) **References Cited**

U.S. PATENT DOCUMENTS

- 1,832,330 A * 11/1931 Stark 124/27
- D134,561 S * 12/1942 Gregory D21/574
- D140,087 S * 1/1945 Rubin D21/574
- D207,172 S * 3/1967 Ryan et al. D21/573
- 3,919,799 A * 11/1975 Austin et al. 42/105
- 4,569,666 A * 2/1986 Wolf 446/473
- 4,936,282 A * 6/1990 Dobbins et al. 124/74
- D336,668 S * 6/1993 D'Andrade D21/572

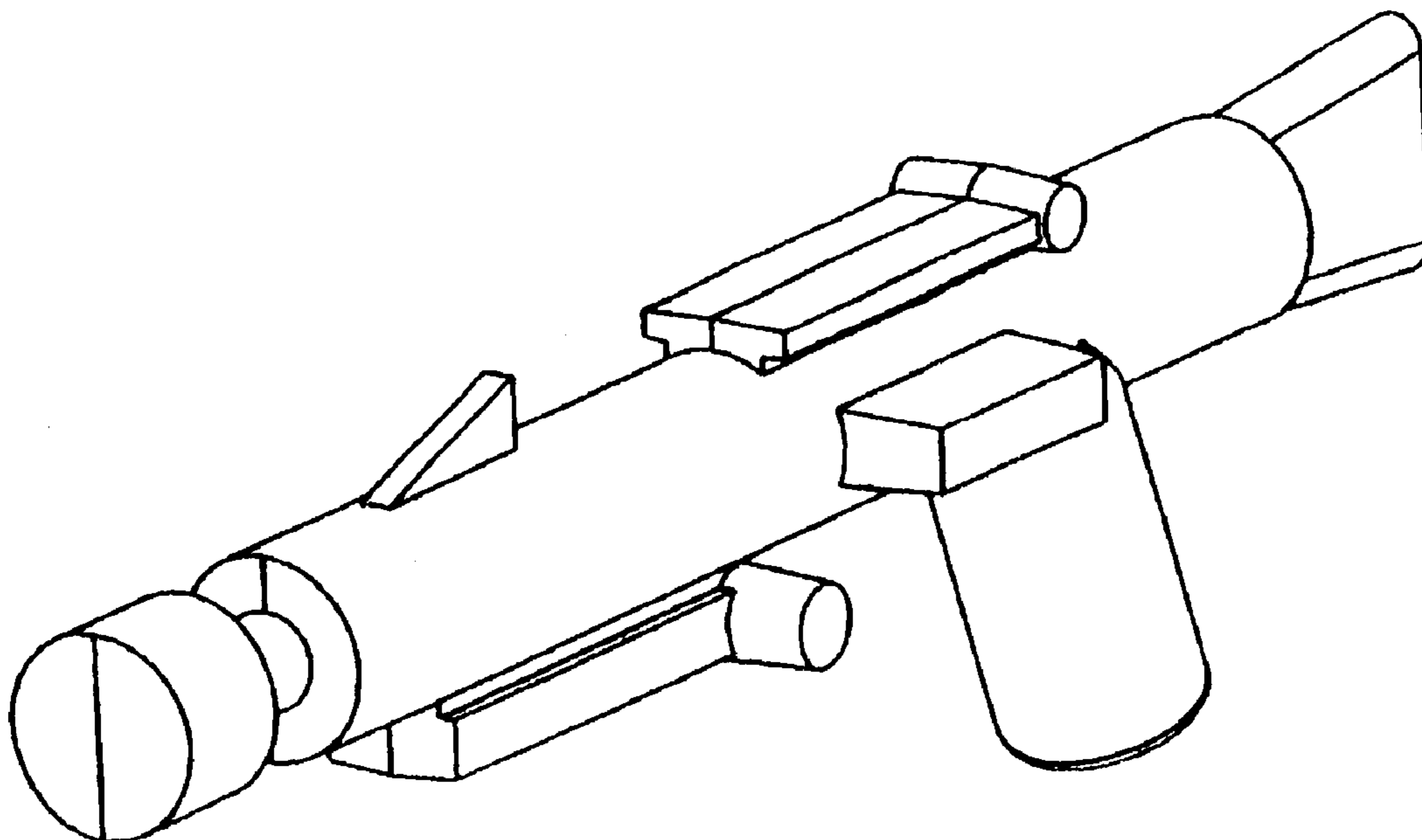
FIG. 5 is a left side view of the miniature space weapon of
FIGS. 1-4.

FIG. 6 is a right side view of the miniature space weapon of
FIGS. 1-5; and,

FIG. 7 is a bottom view of the miniature space weapon of
FIGS. 1-6.

The design of the present invention and as shown in FIGS.
1-7 is an ornamental, miniature space weapon that is com-
patible with miniature space action figure toys.

1 Claim, 3 Drawing Sheets



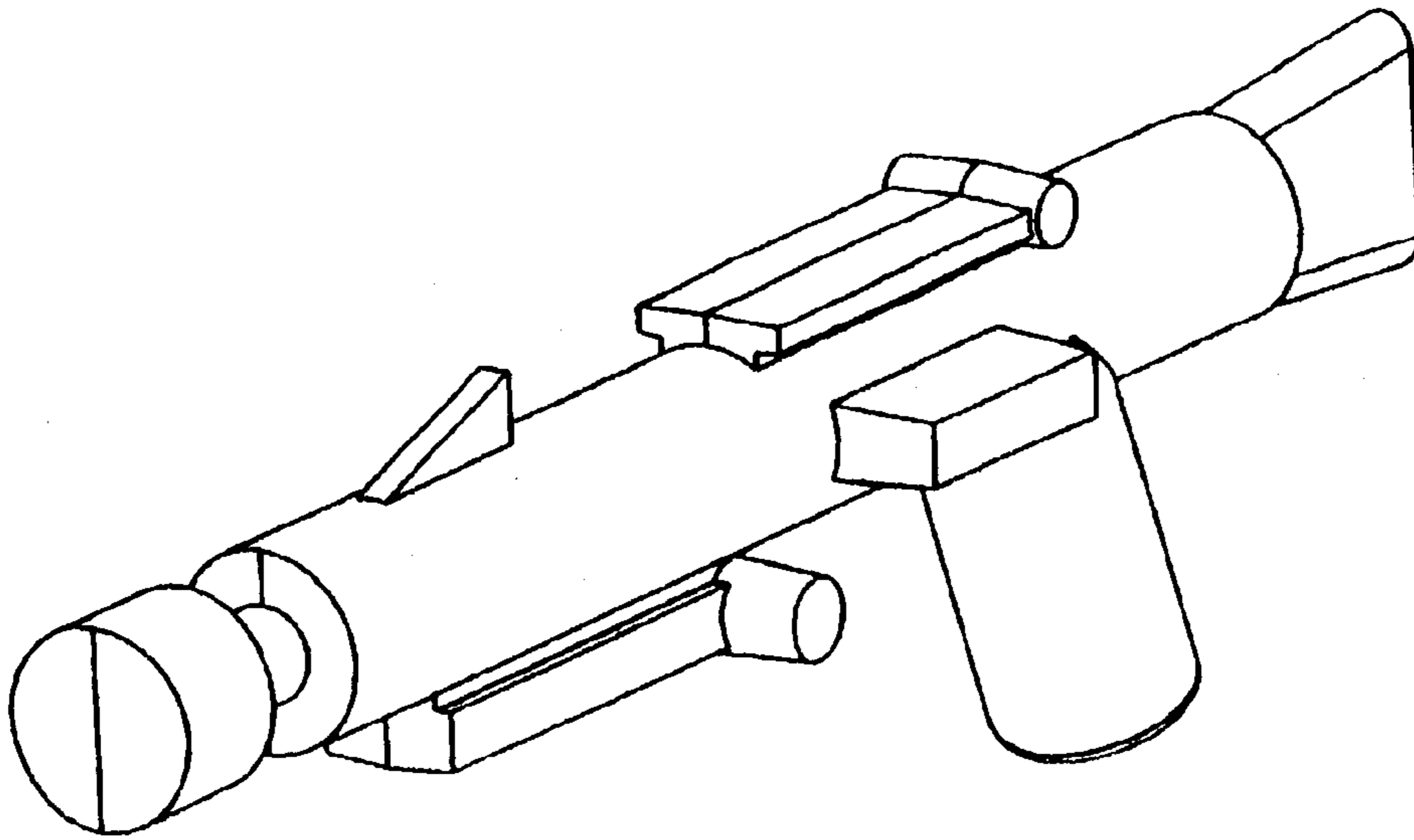


FIG. 1

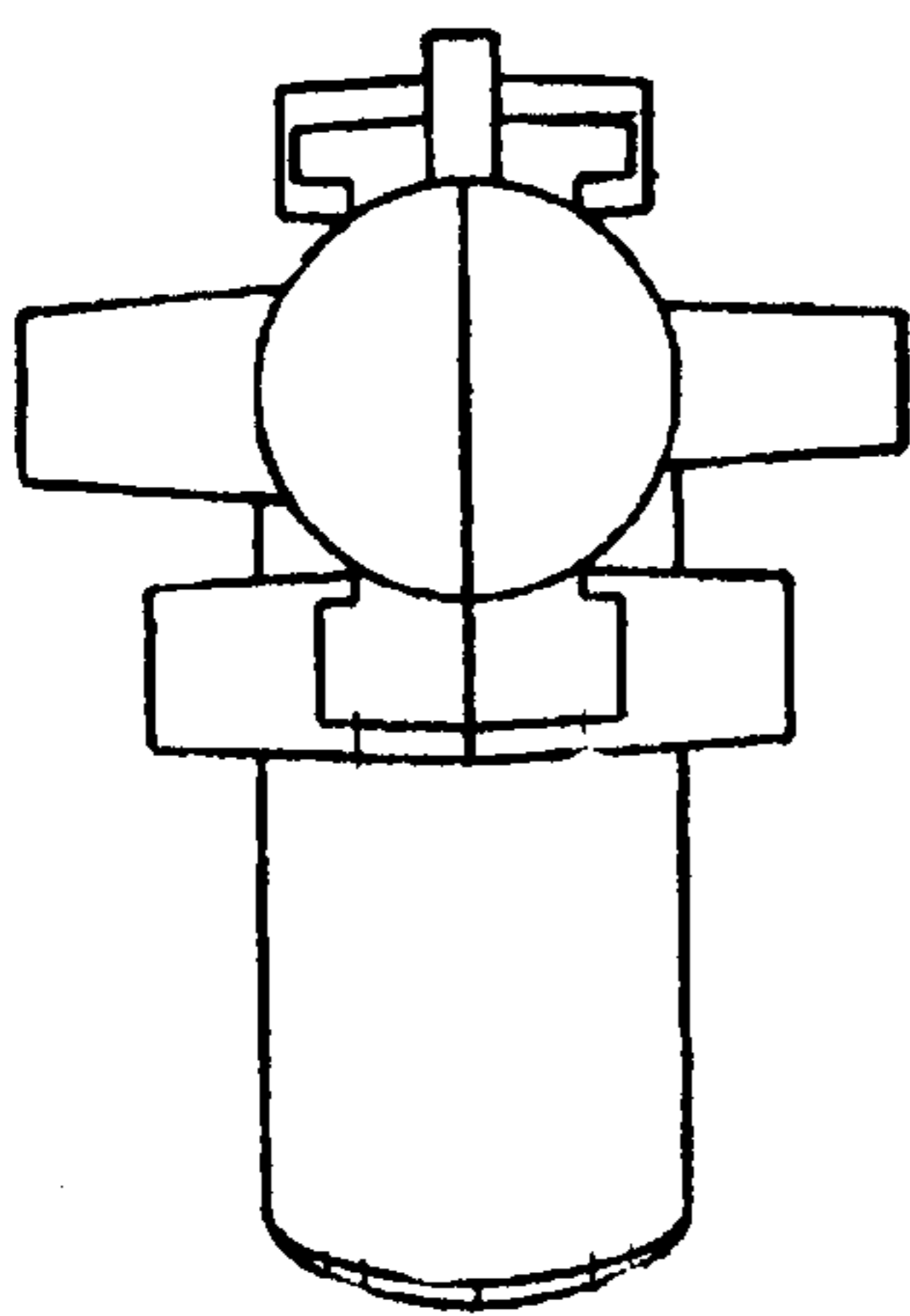


FIG. 2

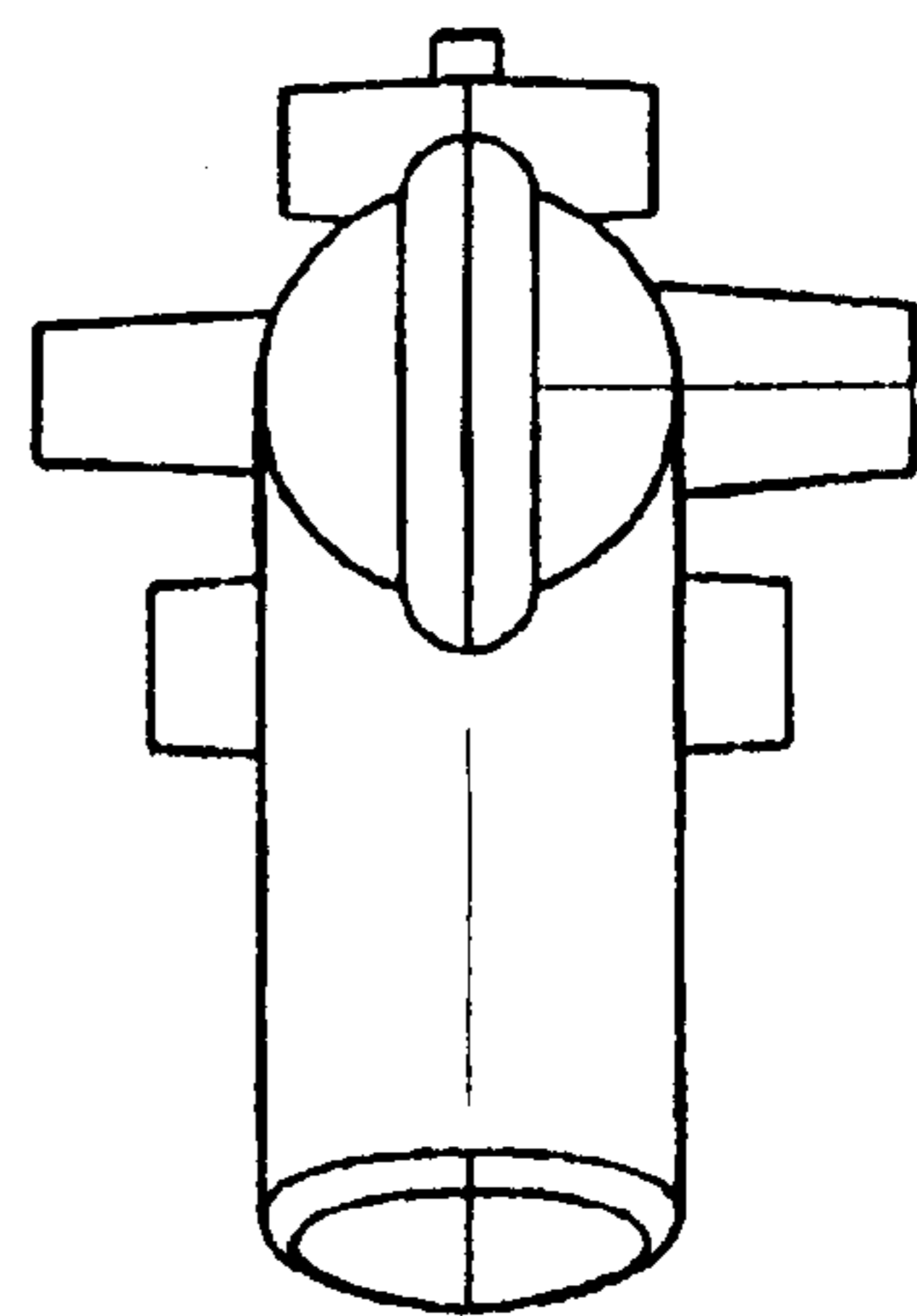


FIG. 3

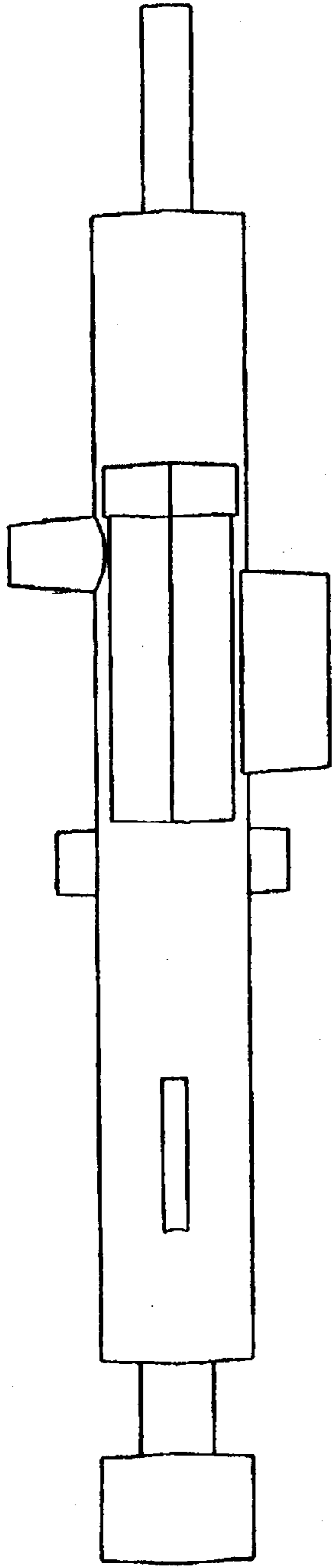


FIG. 4

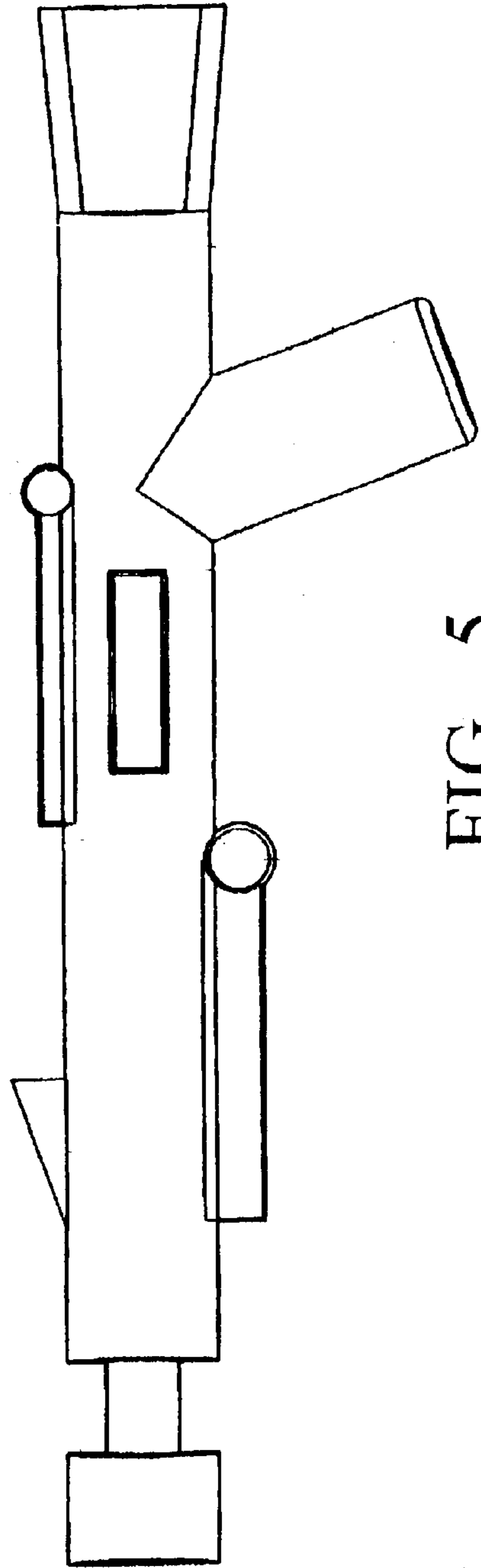


FIG. 5

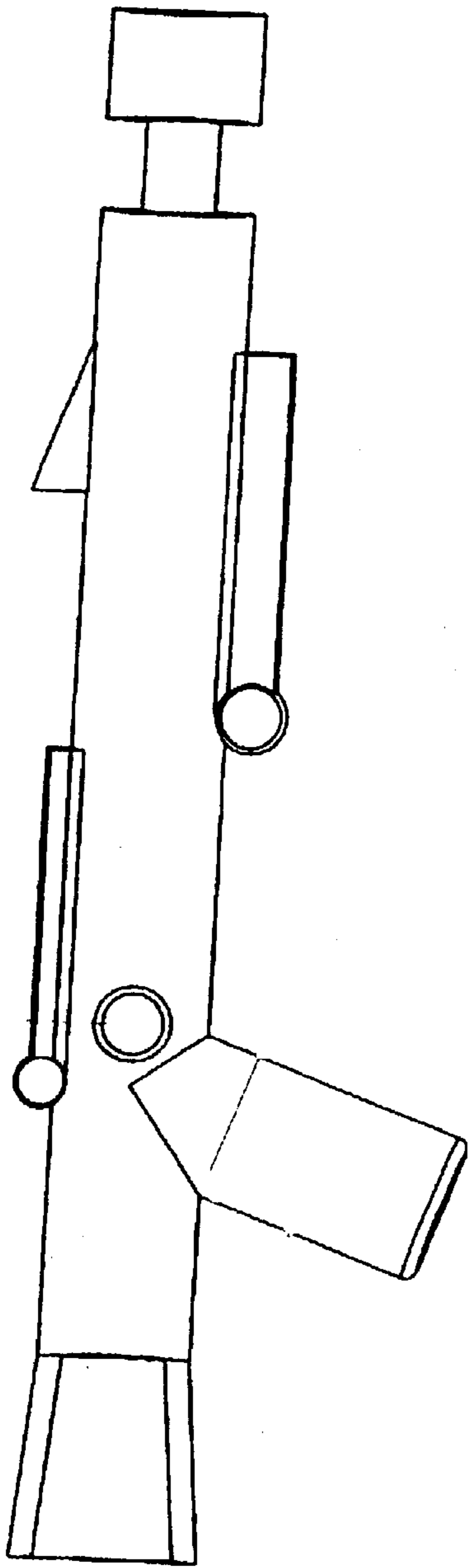


FIG. 6

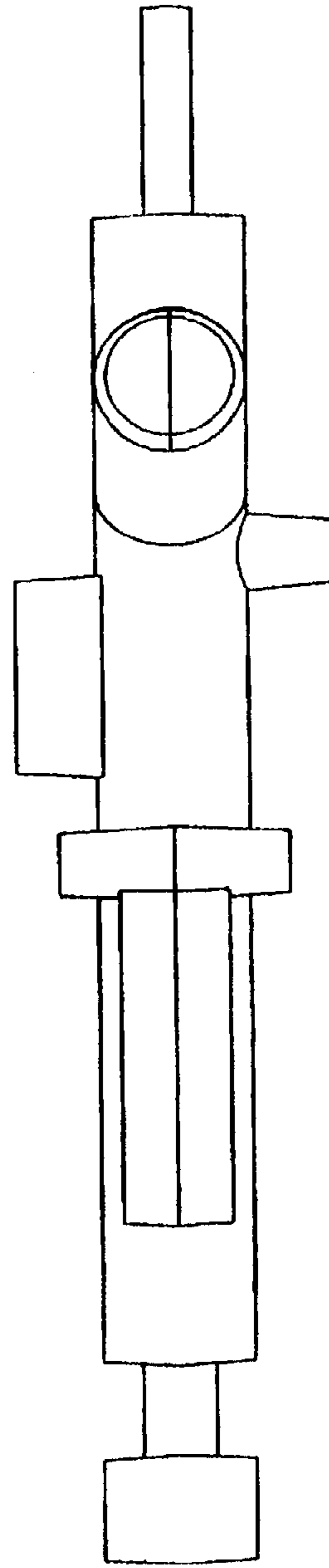


FIG. 7