



US00D488515S

(12) **United States Design Patent**  
**Balanchi**

(10) **Patent No.:** **US D488,515 S**

(45) **Date of Patent:** **\*\* Apr. 13, 2004**

(54) **CONSTRUCTION MEMBER FOR  
MAGNETIC CONSTRUCTION TOY**

(76) **Inventor:** **Steven H. Balanchi**, 2217 El Sol Ave.,  
Altadena, CA (US) 91001

(\*\*) **Term:** **14 Years**

(21) **Appl. No.:** **29/187,481**

(22) **Filed:** **Aug. 1, 2003**

(51) **LOC (7) Cl.** ..... **21-01**

(52) **U.S. Cl.** ..... **D21/484; D21/486**

(58) **Field of Search** ..... D21/484-503;  
446/77, 85, 102, 107-109, 111, 119-121,  
125-126, 128

(56) **References Cited**

**U.S. PATENT DOCUMENTS**

814,367	A	*	3/1906	Given	.....	446/126
D108,098	S	*	1/1938	Gilbert	.....	D21/488
2,846,809	A		8/1958	Majewski		
2,936,530	A	*	5/1960	Bowen	.....	446/126
2,970,388	A		2/1961	Yonkers		
3,552,056	A	*	1/1971	Meates	.....	446/114
3,556,526	A		1/1971	Currie		
3,606,303	A		9/1971	Green		
3,625,514	A		12/1971	Haaland		
3,830,011	A	*	8/1974	Ochrymowich	.....	446/126
4,274,222	A	*	6/1981	Zahn et al.	.....	446/126
D286,168	S	*	10/1986	Mazzoleni	.....	D21/484
4,892,484	A	*	1/1990	Brown et al.	.....	446/125
5,120,253	A	*	6/1992	Gelardi	.....	446/109

5,318,470	A	*	6/1994	Denny	.....	446/126
D396,501	S	*	7/1998	Hatting	.....	D21/484
D400,602	S	*	11/1998	Glickman et al.	.....	D21/484
5,928,051	A	*	7/1999	Krog	.....	446/120

**FOREIGN PATENT DOCUMENTS**

GB 2 123 306 2/1924

**OTHER PUBLICATIONS**

Pending U.S. patent application (Allowed) Ser. No. 10/071,  
767 filed Feb. 6, 2002.

\* cited by examiner

*Primary Examiner*—Raphael Barkai  
(74) *Attorney, Agent, or Firm*—Frederick Gotha

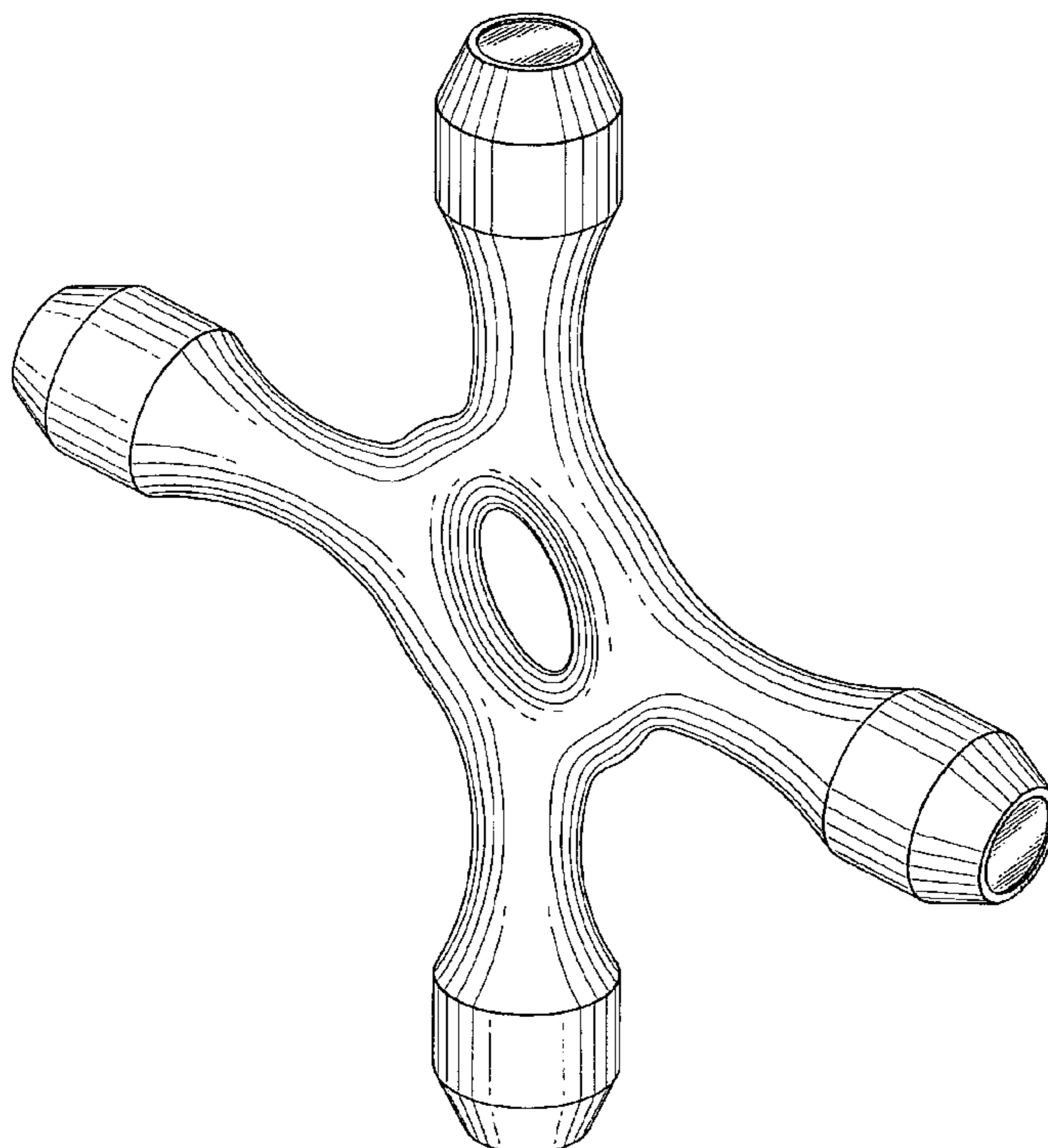
(57) **CLAIM**

The ornamental design for a construction member for mag-  
netic construction toy, as shown and described.

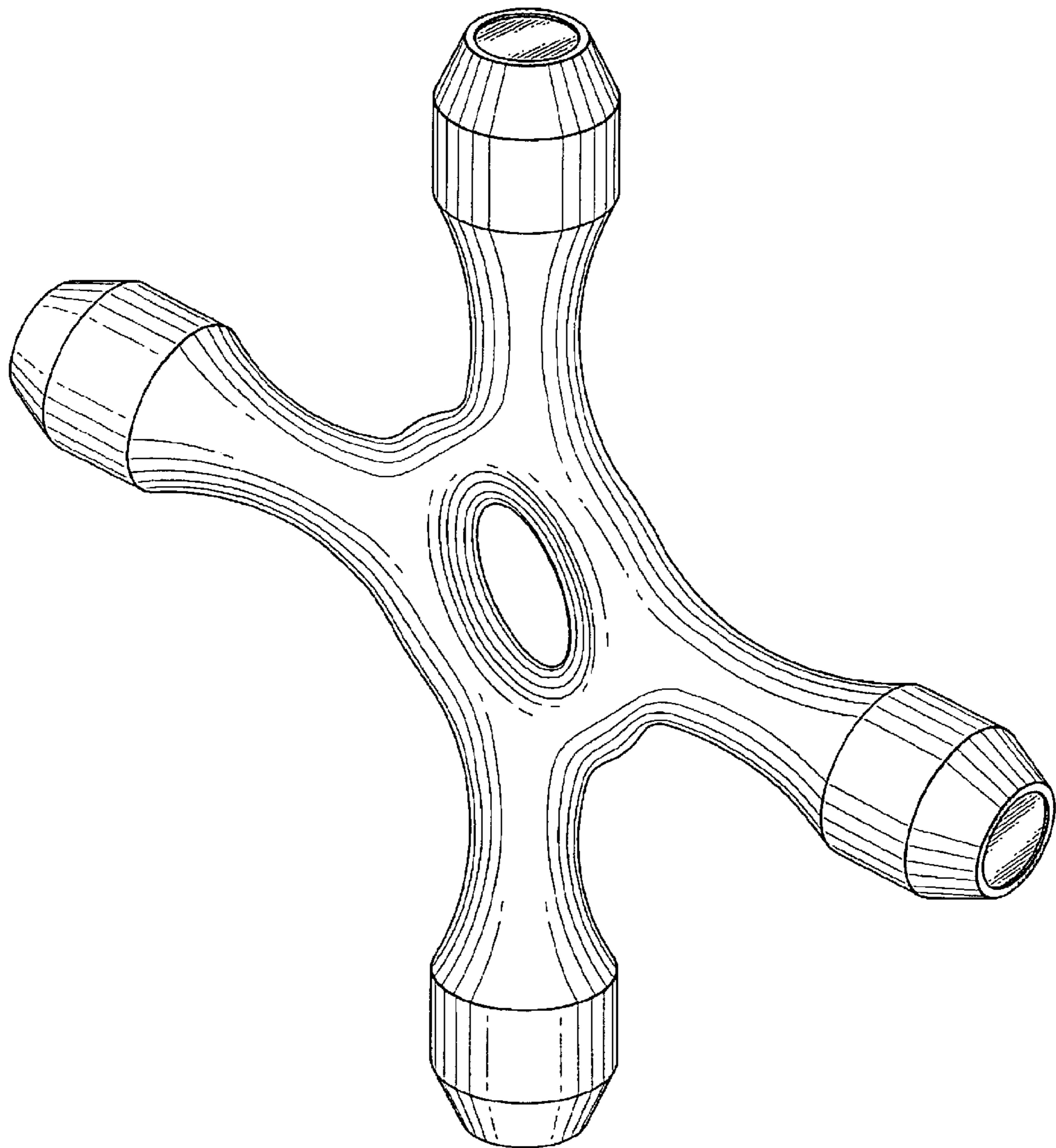
**DESCRIPTION**

FIG. 1 is a frontal perspective view of a construction member for magnetic construction toy showing my new design;  
FIG. 2 is a front view of the construction member for magnetic construction toy shown in perspective in FIG. 1 where the rear view is a mirror image thereof; and,  
FIG. 3 is a left side elevational view thereof and is the mirror image of the right side elevational view thereof, the top view thereof, and the bottom view thereof.

**1 Claim, 2 Drawing Sheets**



*FIG. 1*



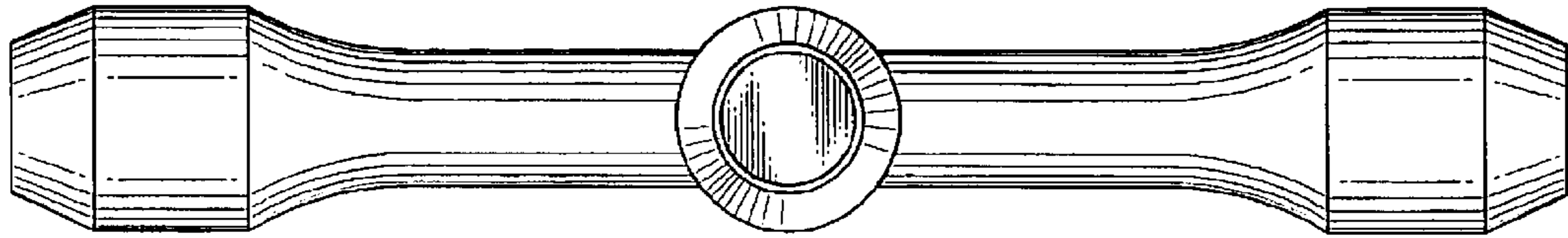


FIG. 3

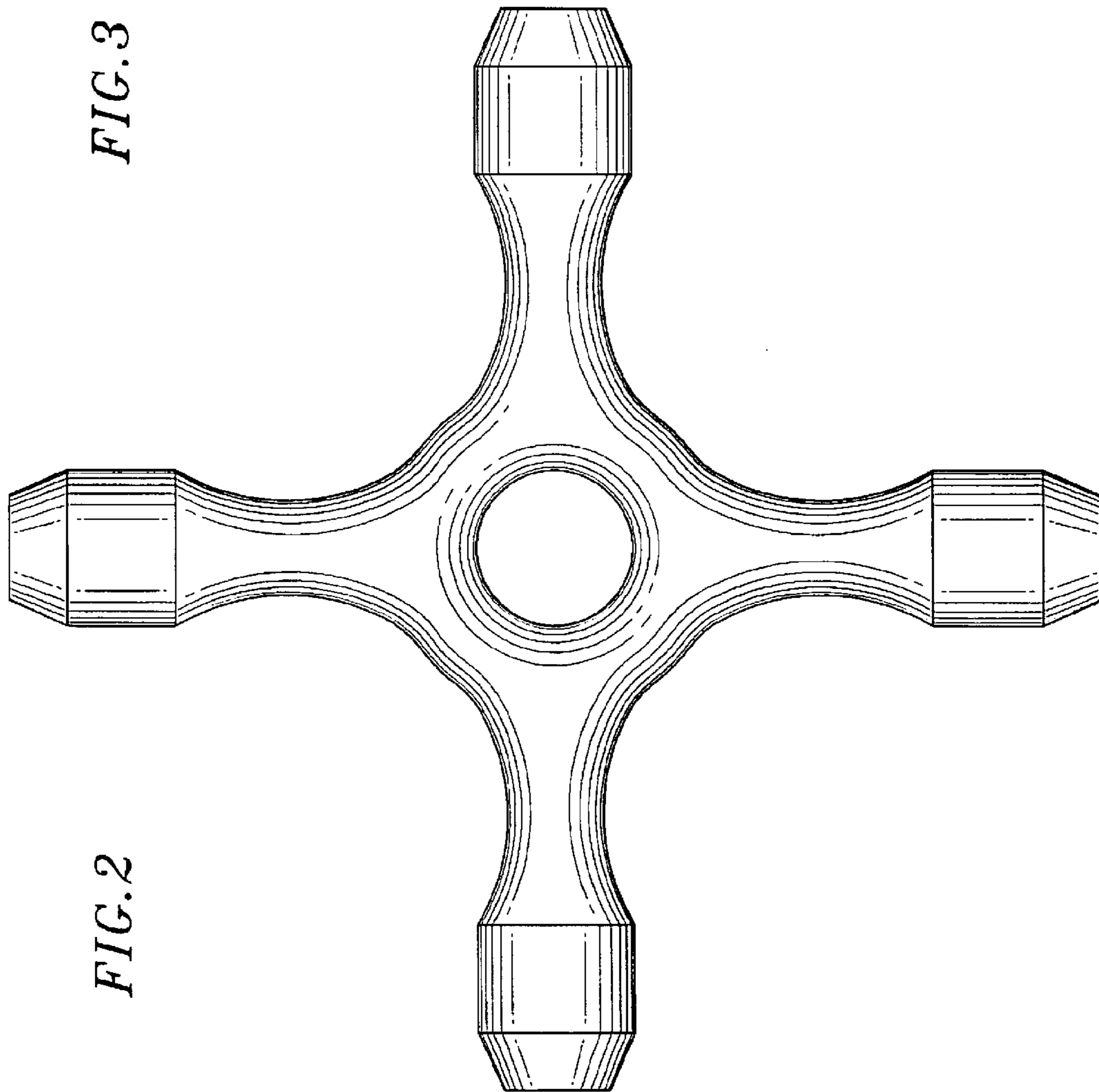


FIG. 2