



US00D488514S

(12) **United States Design Patent**
Tabor

(10) **Patent No.:** **US D488,514 S**

(45) **Date of Patent:** **** Apr. 13, 2004**

(54) **AMAZING KITE**

(76) **Inventor:** **Don Tabor**, 556 Florence St., Imperial Beach, CA (US) 91932

(**) **Term:** **14 Years**

(21) **Appl. No.:** **29/167,154**

(22) **Filed:** **Sep. 9, 2002**

(51) **LOC (7) Cl.** **21-01**

(52) **U.S. Cl.** **D21/445**

(58) **Field of Search** D21/436, 441,
D21/442, 445, 446; 446/34, 36-44, 61,
487, 490; 244/153 R, 154, 155 R, 155 A,
153 A

(56) **References Cited**

U.S. PATENT DOCUMENTS

2,222,402 A	*	11/1940	Carrasco	244/153 A
2,518,768 A	*	8/1950	Fugate	244/153 R
2,546,078 A	*	3/1951	Rugallo et al.	244/153 R
3,276,730 A	*	10/1966	Cleveland	244/153 R
3,315,922 A	*	4/1967	Hull	244/153 R
3,350,041 A	*	10/1967	English	244/153 R

3,627,240 A	*	12/1971	Christoffel et al.	244/153 R
D253,833 S	*	1/1980	Miller	D21/445
D259,628 S	*	6/1981	Jacobs	D11/141
4,389,032 A	*	6/1983	Meckley	244/153 R

* cited by examiner

Primary Examiner—Philip S. Hyder

Assistant Examiner—C. Tuttle

(57) **CLAIM**

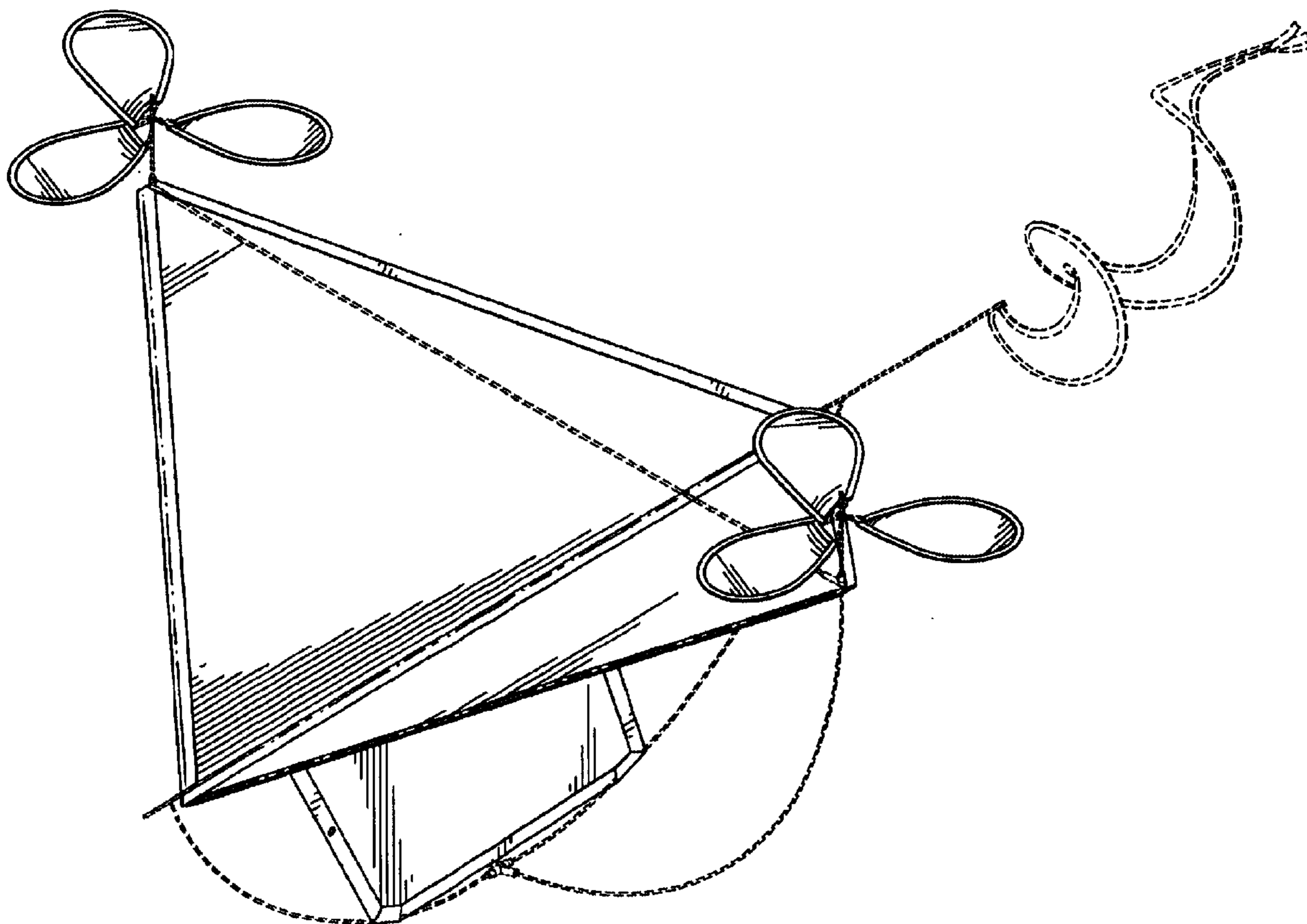
The ornamental design for an amazing kite, as shown and described herein.

DESCRIPTION

FIG. 1. Is a perspective view of my amazing kite design;
FIG. 2. Is a top view thereof;
FIG. 3. Is a bottom view thereof;
FIG. 4. Is a front view thereof;
FIG. 5. Is a rear view thereof; and,
FIG. 6. Is a right side view thereof, the left side view being identical thereto.

The broken line showing is for illustrative purposes only and forms no part of the claimed design.

1 Claim, 5 Drawing Sheets



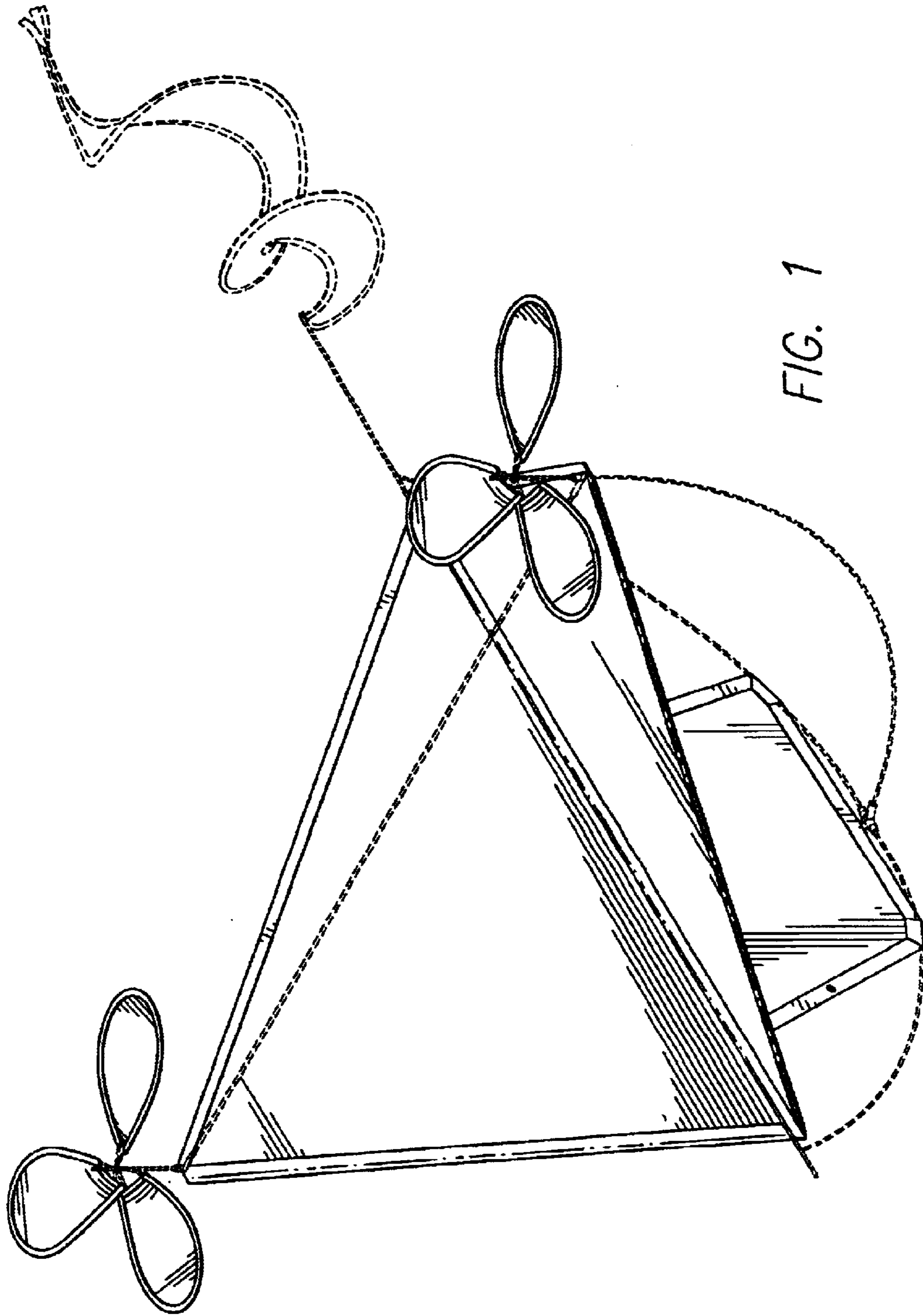


FIG. 1

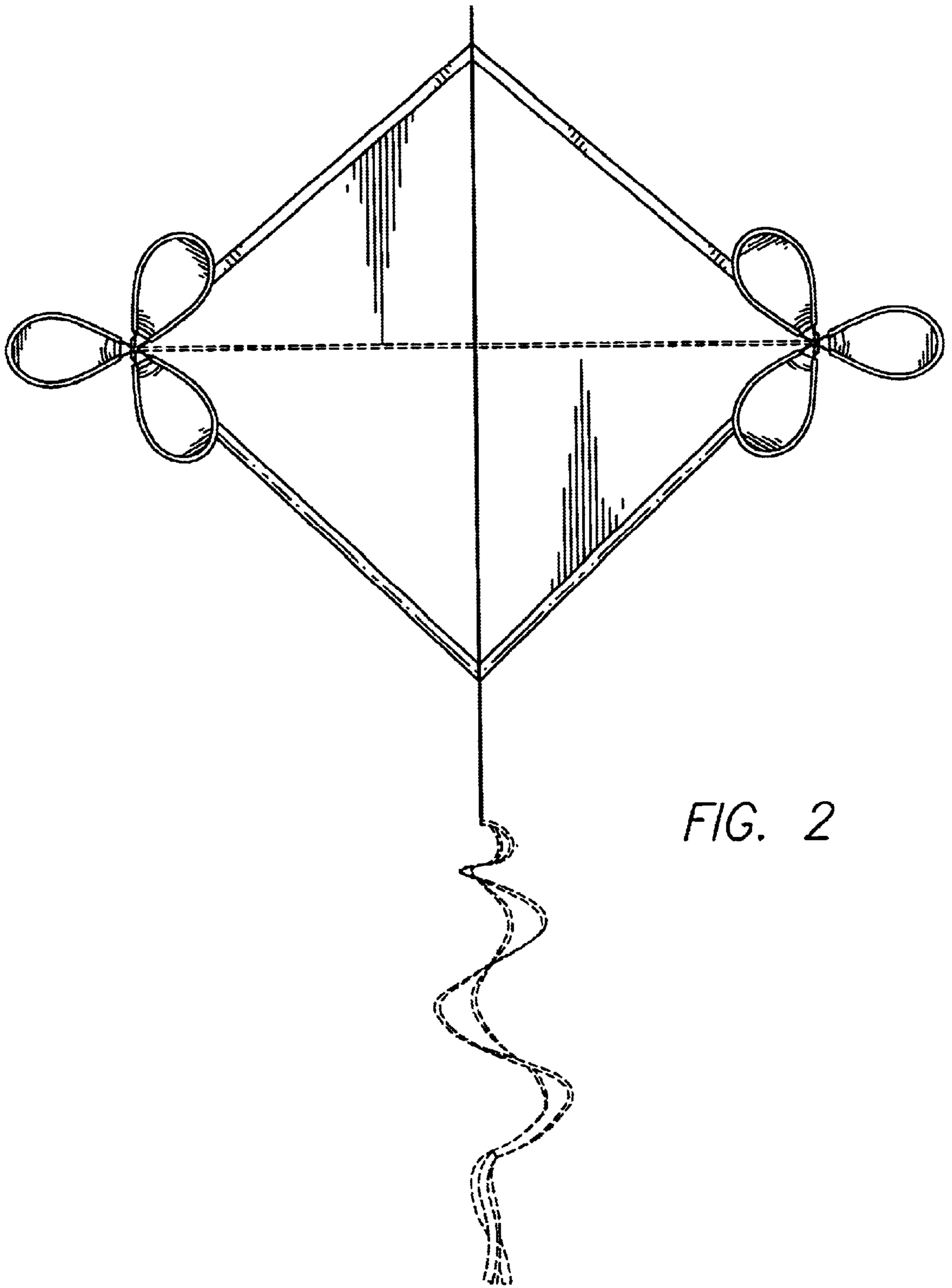


FIG. 2

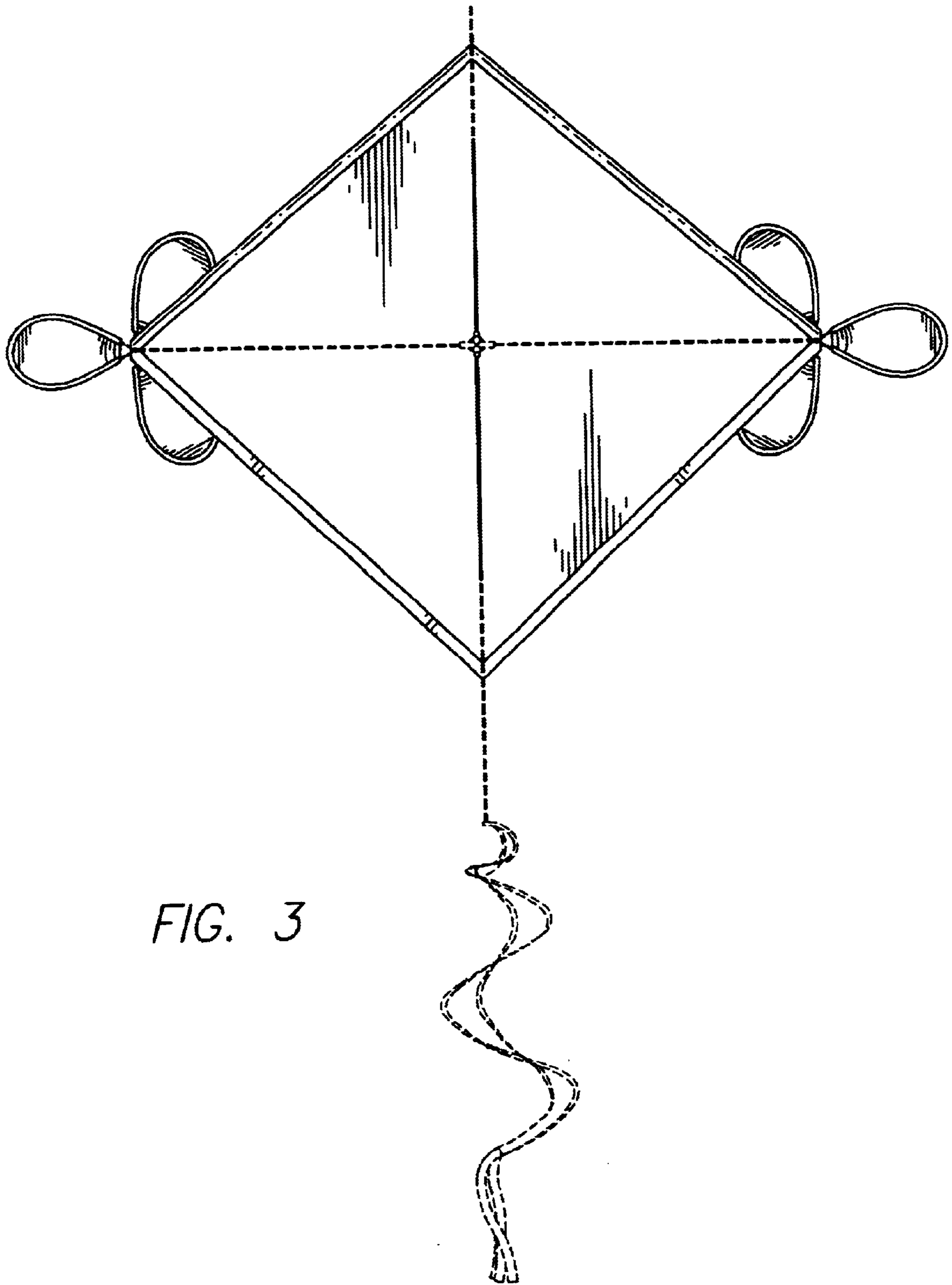


FIG. 3

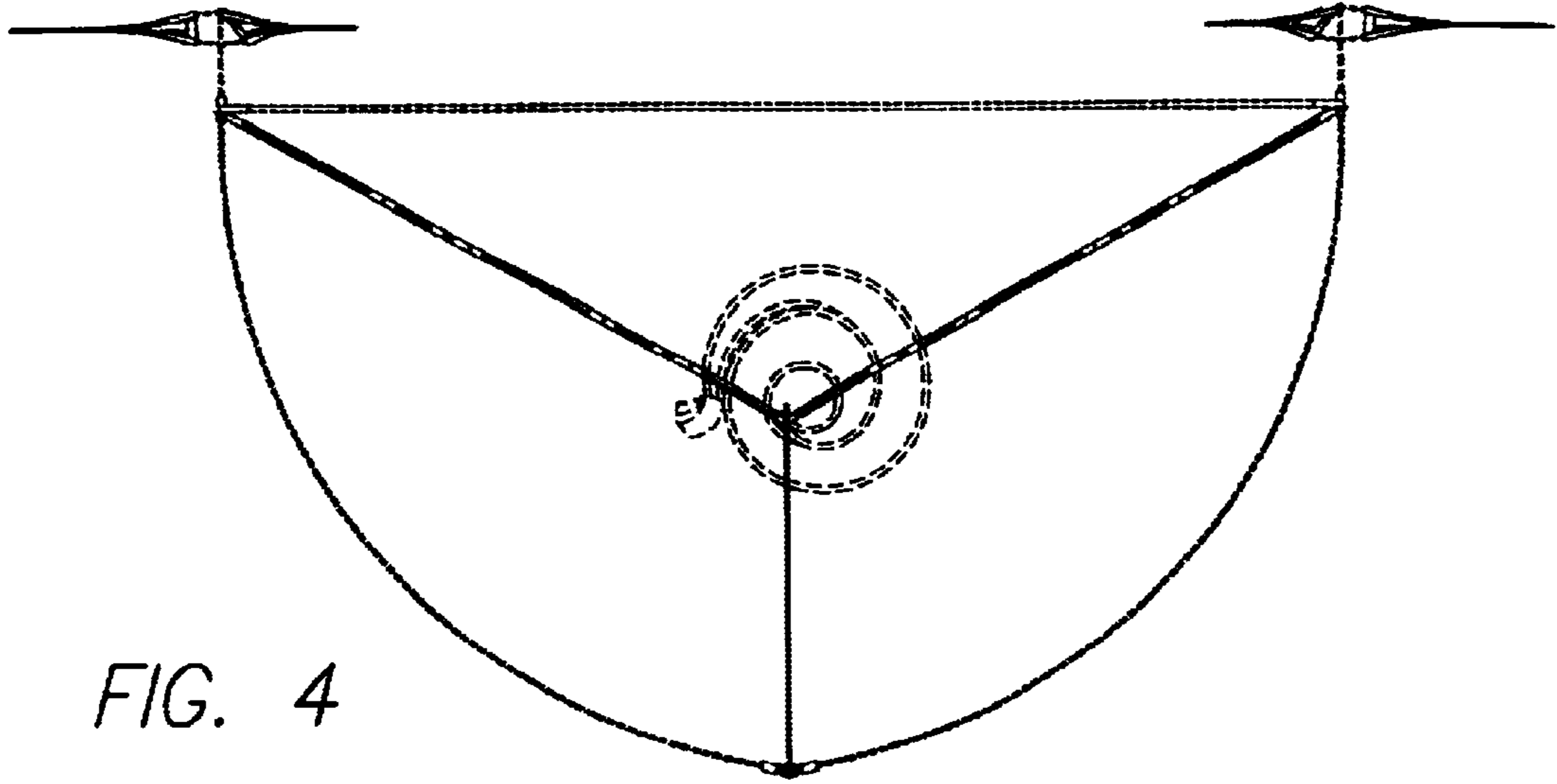


FIG. 4

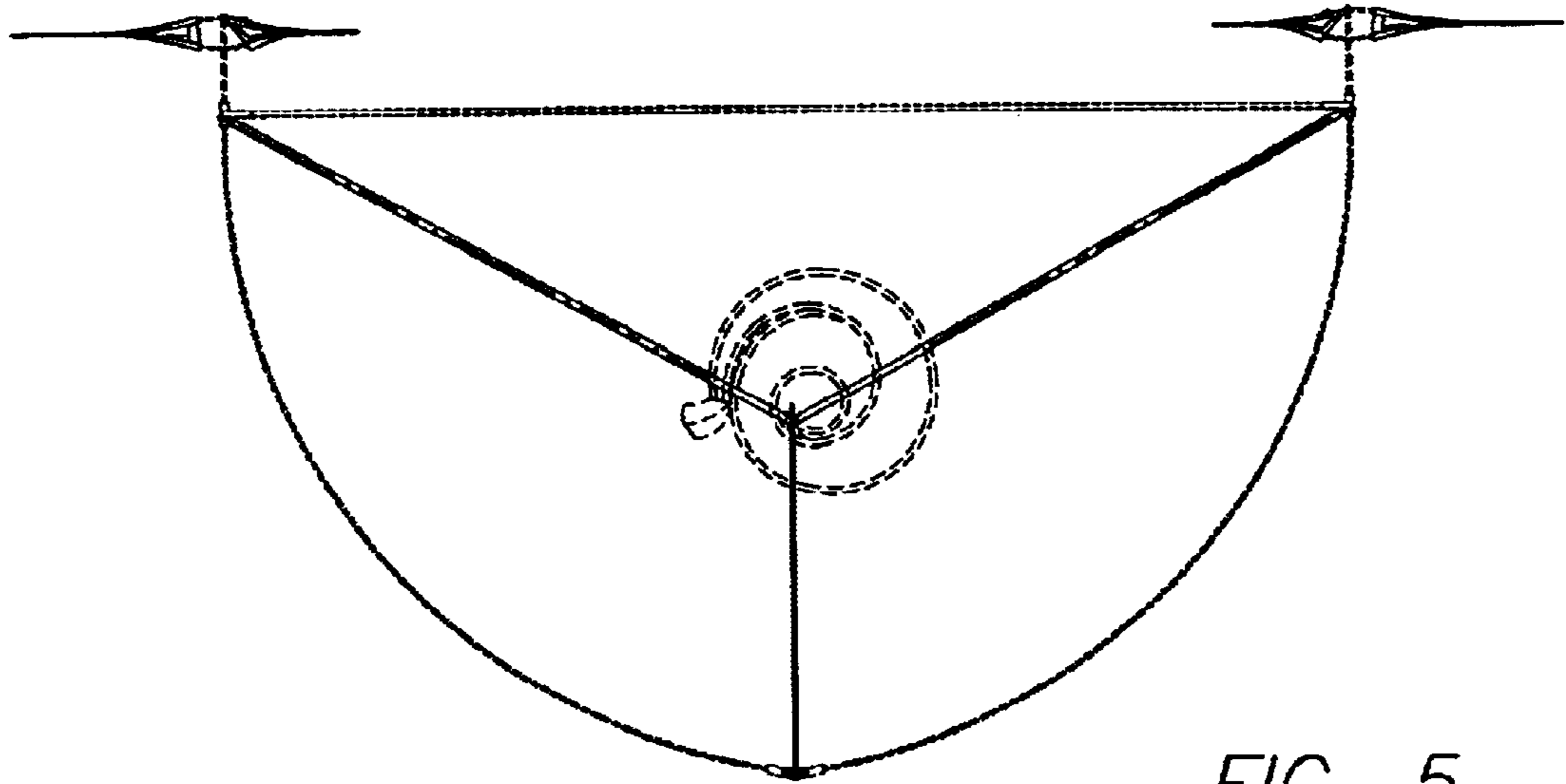


FIG. 5

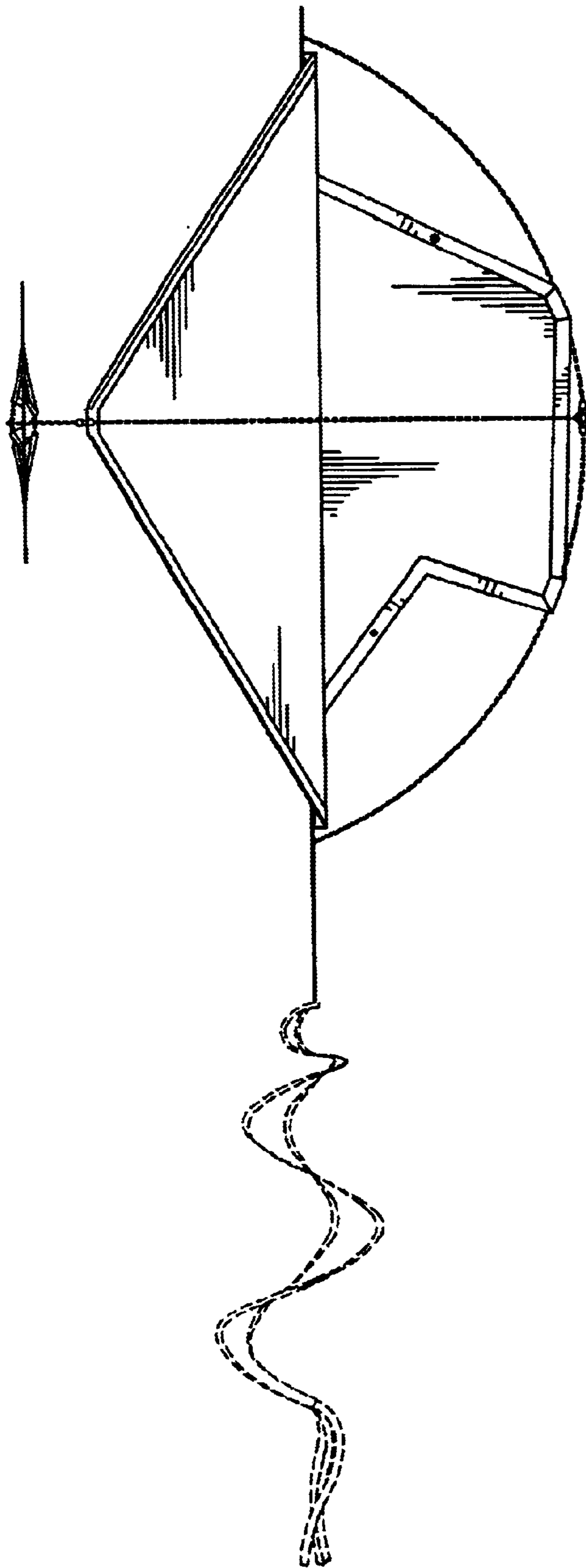


FIG. 6