



US00D488512S

(12) **United States Design Patent**
Knobel

(10) **Patent No.:** **US D488,512 S**

(45) **Date of Patent:** **** Apr. 13, 2004**

(54) **EXTERNAL BEZEL FOR TICKETS AND
VOUCHERS**

D329,465 S * 9/1992 Kastanek D20/8
D359,765 S * 6/1995 Izawa D20/9
D404,075 S * 1/1999 Katamachi et al. D20/8

(75) Inventor: **Larry Knobel**, Homer, NY (US)

* cited by examiner

(73) Assignee: **TransAct Technologies Incorporated**,
Wallingford, CT (US)

Primary Examiner—Robert M. Spear
(74) *Attorney, Agent, or Firm*—Barry R. Lipsitz

(**) Term: **14 Years**

(57) **CLAIM**

(21) Appl. No.: **29/177,759**

The ornamental design for an external bezel for tickets and
vouchers, as shown and described.

(22) Filed: **Mar. 14, 2003**

DESCRIPTION

(51) **LOC (7) Cl.** **20-01**

(52) **U.S. Cl.** **D20/8**

(58) **Field of Search** D20/1-9, 99; D99/28;
D18/3.2, 3.3, 47, 56; 194/206-7, 336, 345-6,
350

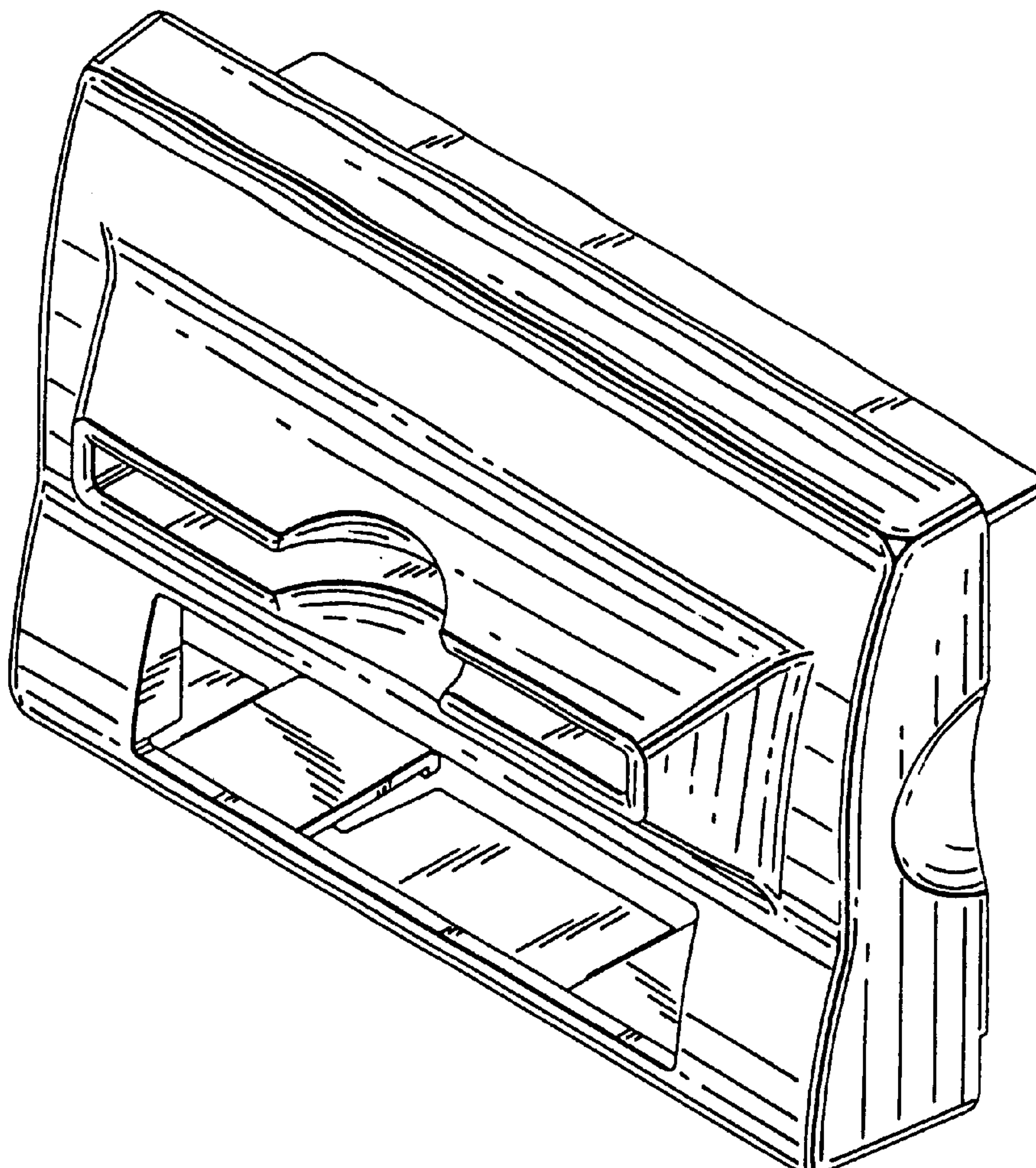
FIG. 1 is a front perspective view showing the design;
FIG. 2 is a rear perspective view showing the design;
FIG. 3 is a front elevational view showing the design;
FIG. 4 is a top plan view showing the design;
FIG. 5 is a right side view showing the design, the left side
view being a mirror image thereof;
FIG. 6 is a rear elevational view showing the design; and,
FIG. 7 is a bottom plan view showing the design.

(56) **References Cited**

U.S. PATENT DOCUMENTS

D49,077 S * 5/1916 Stern D20/1
D247,828 S * 5/1978 Moore et al. D20/8

1 Claim, 4 Drawing Sheets



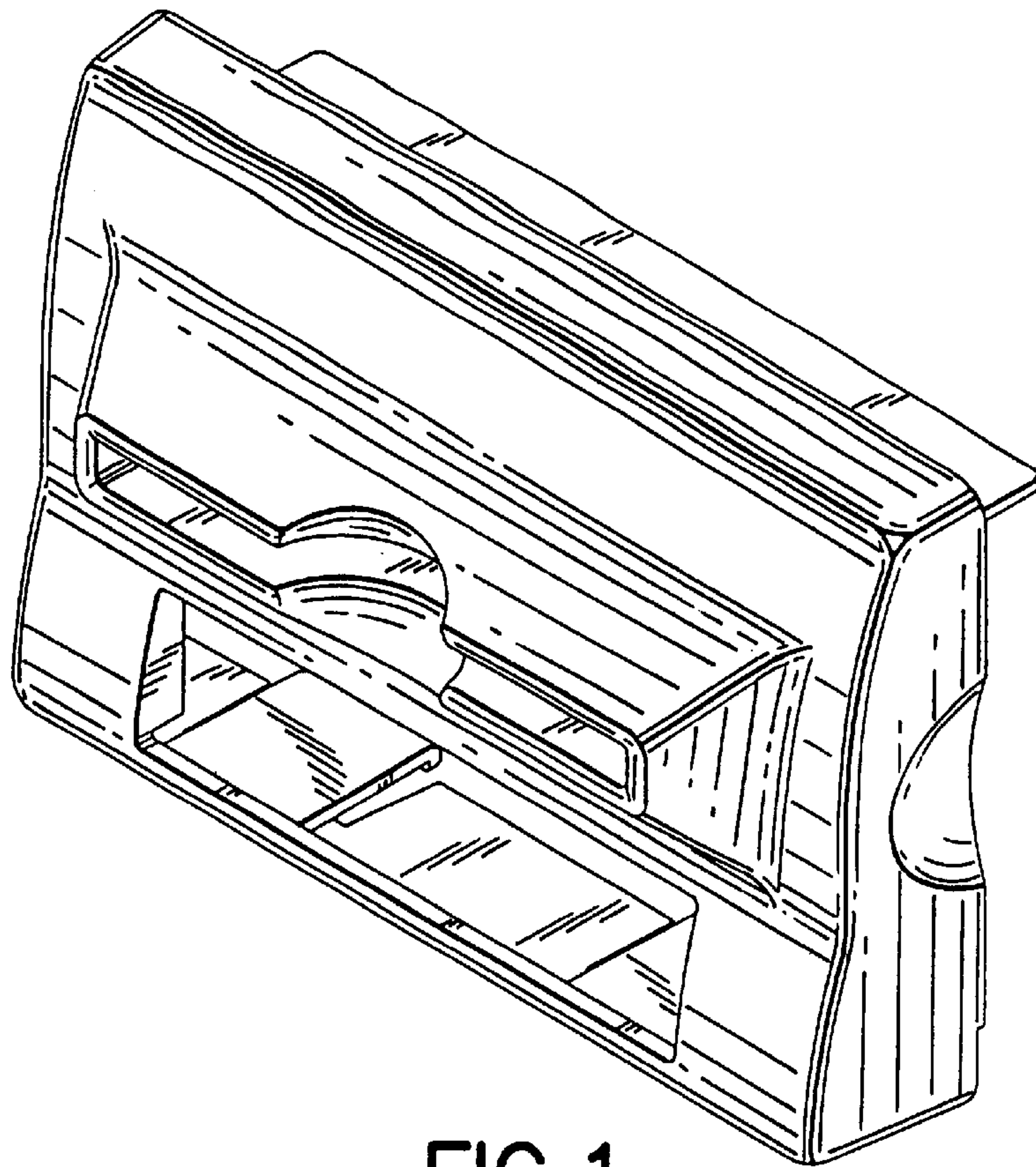


FIG. 1

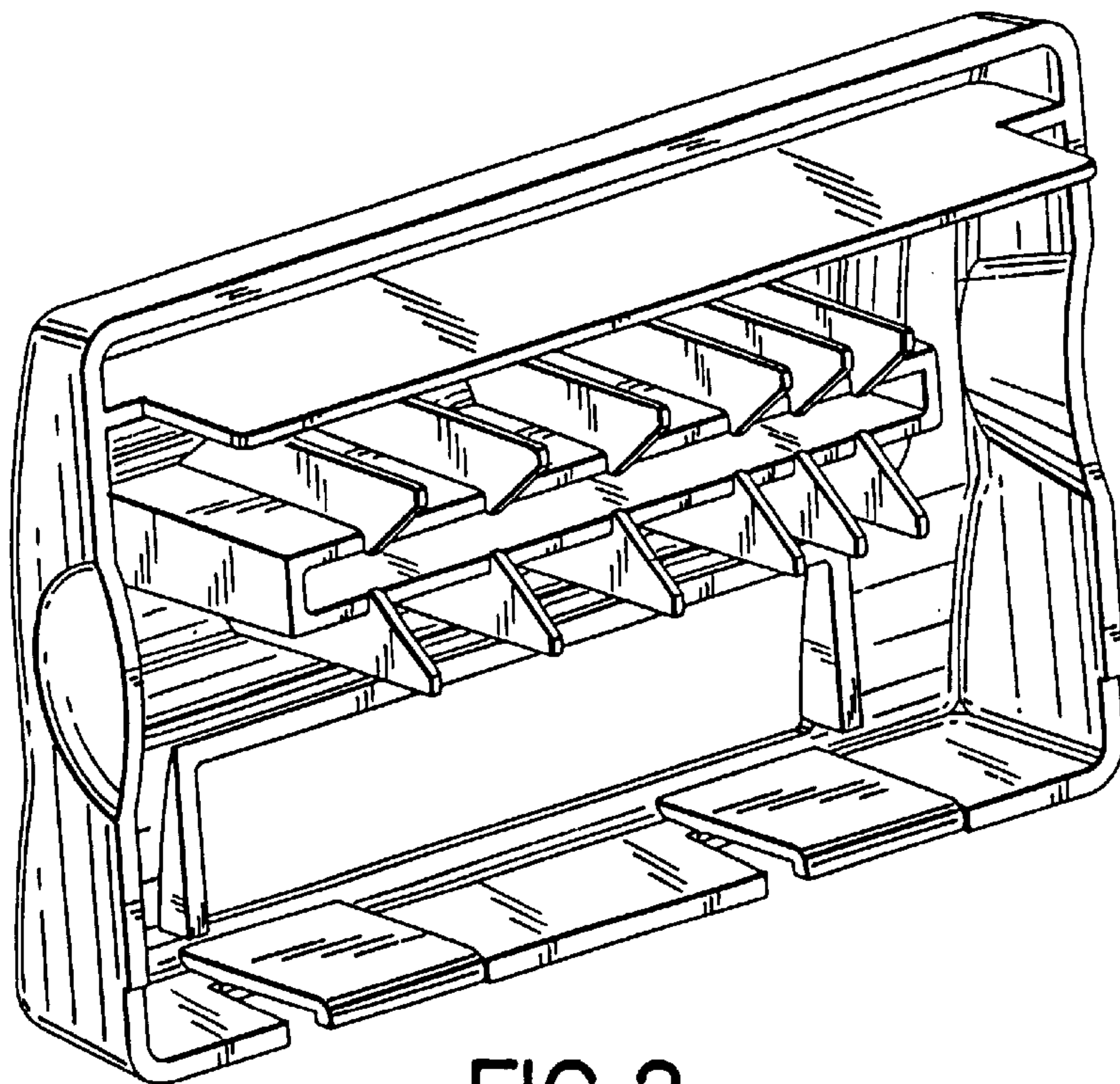


FIG. 2

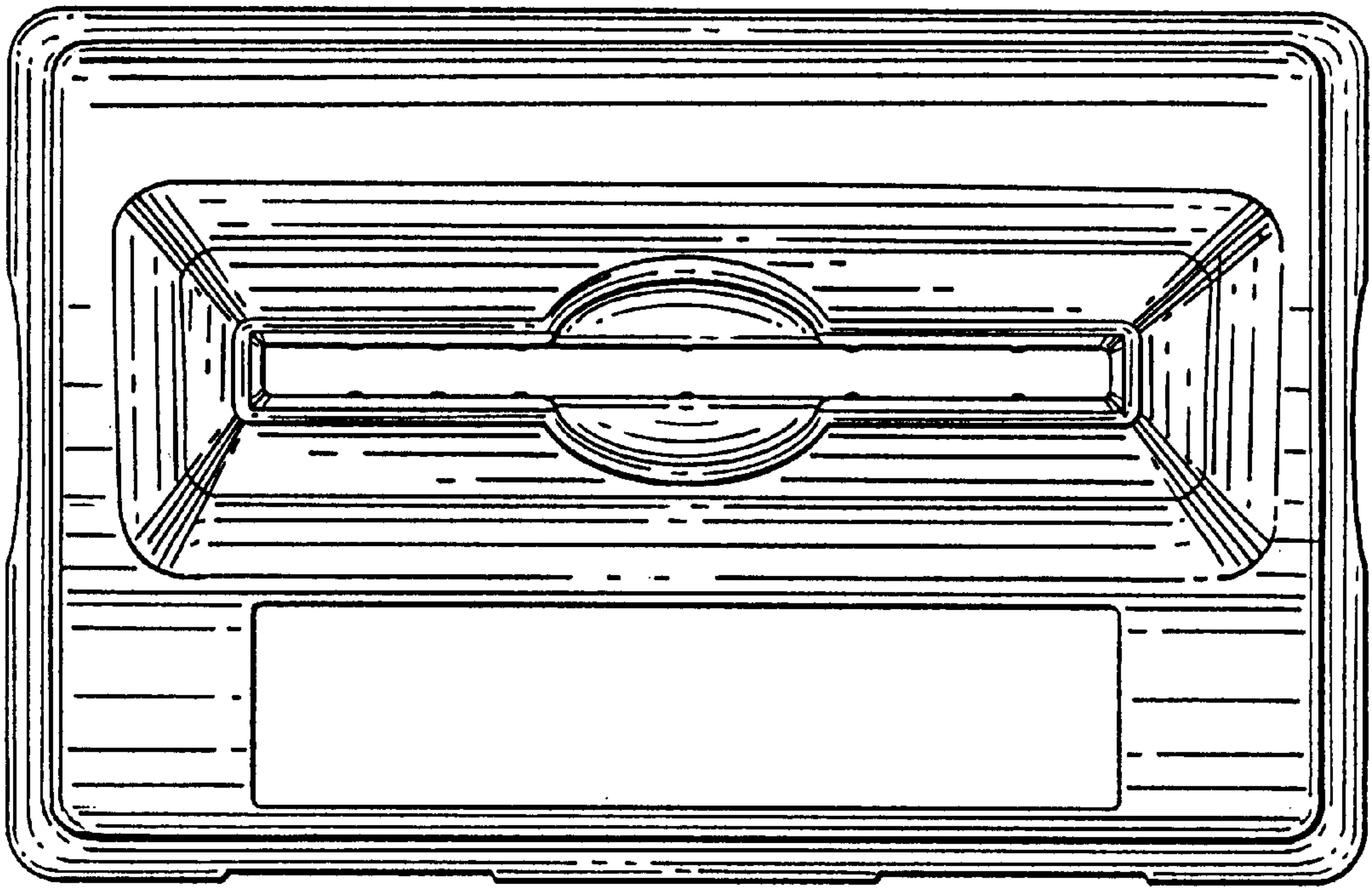


FIG. 3

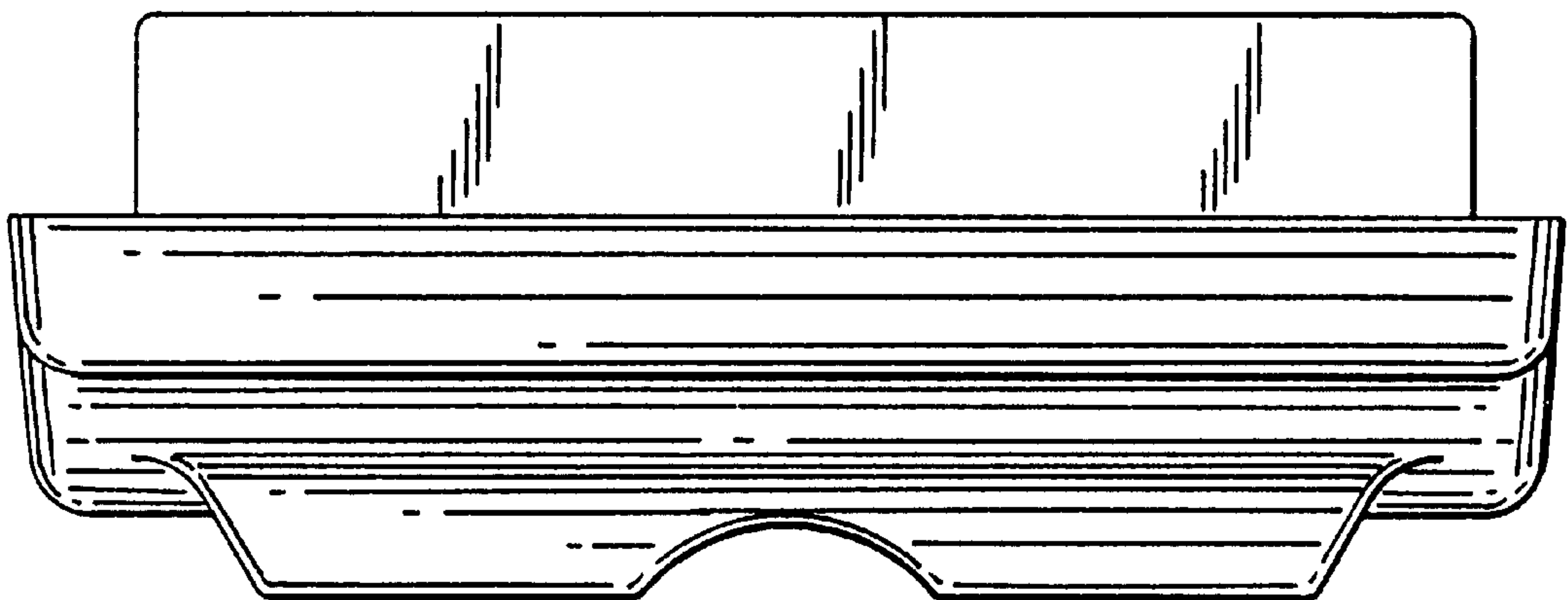


FIG. 4

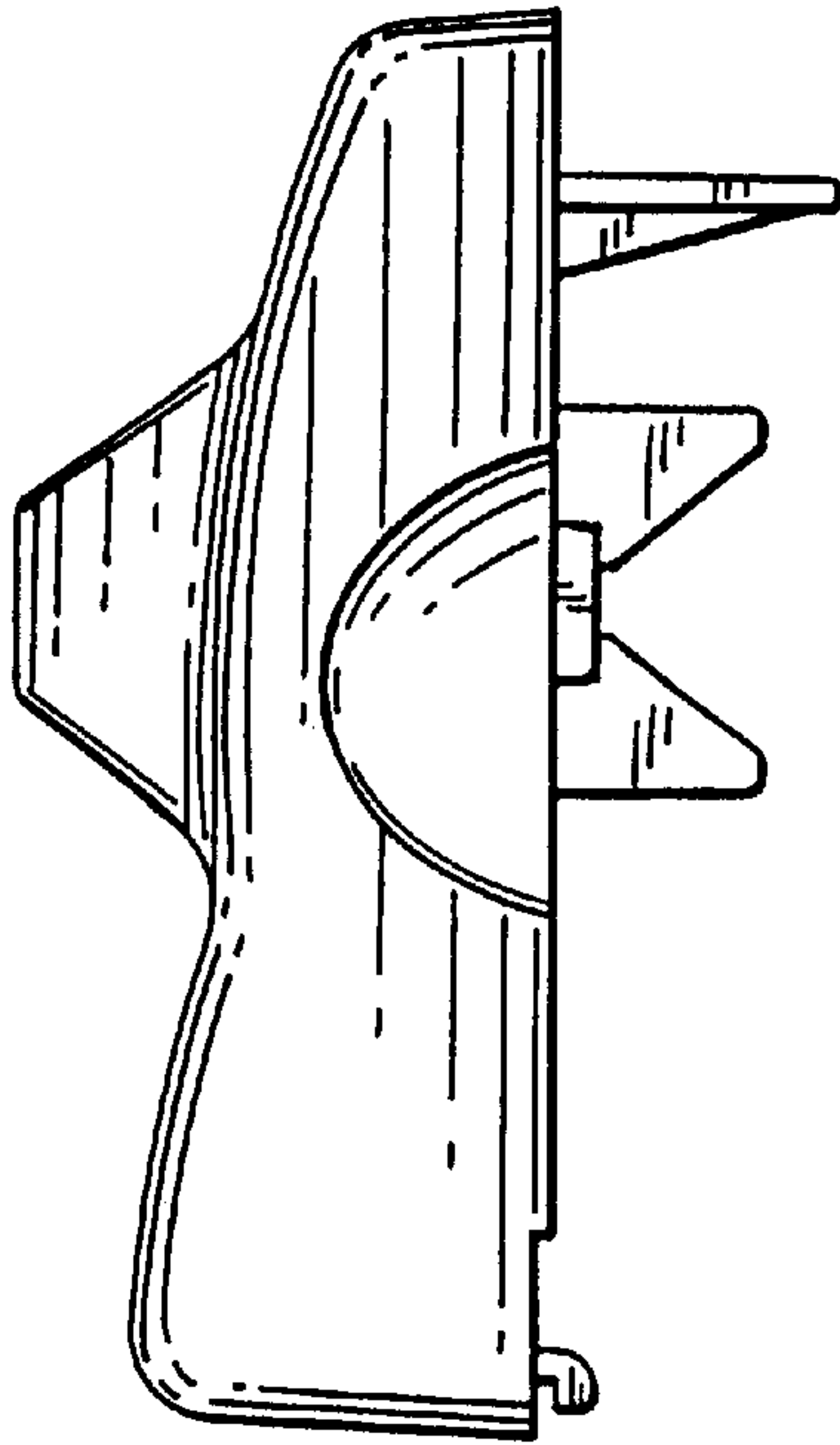


FIG. 5

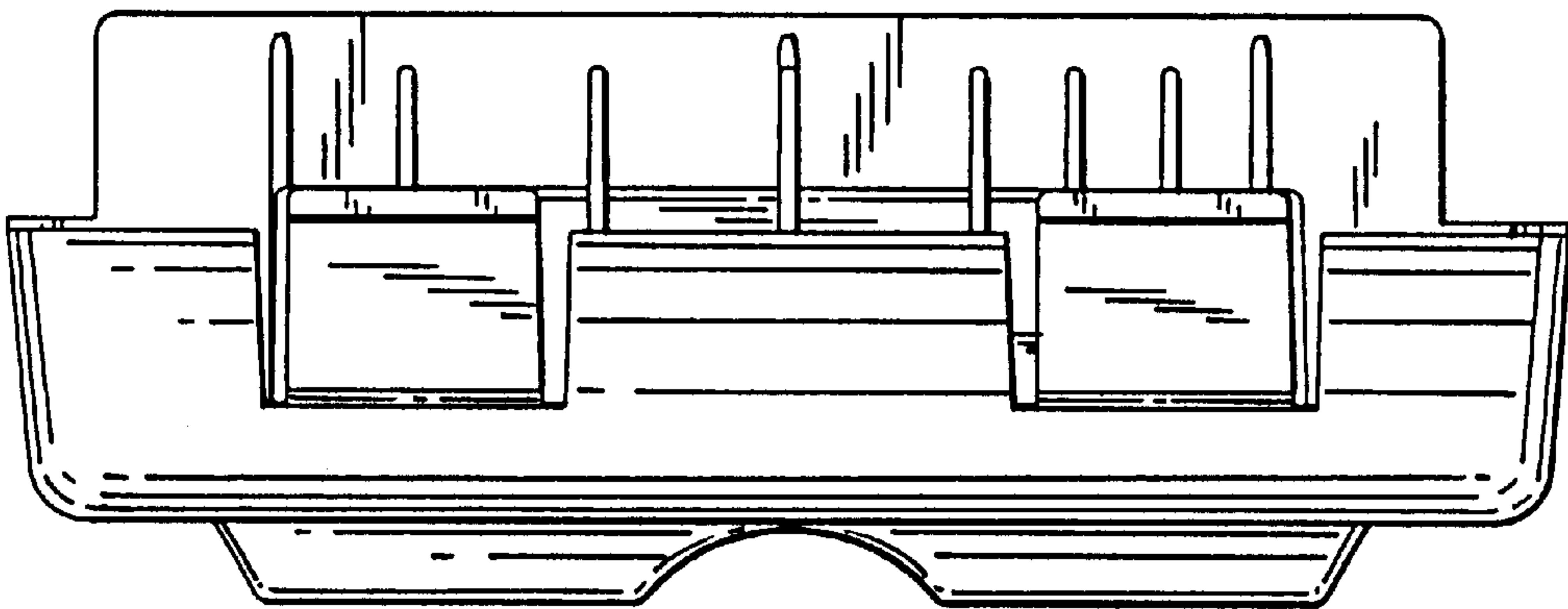


FIG. 7

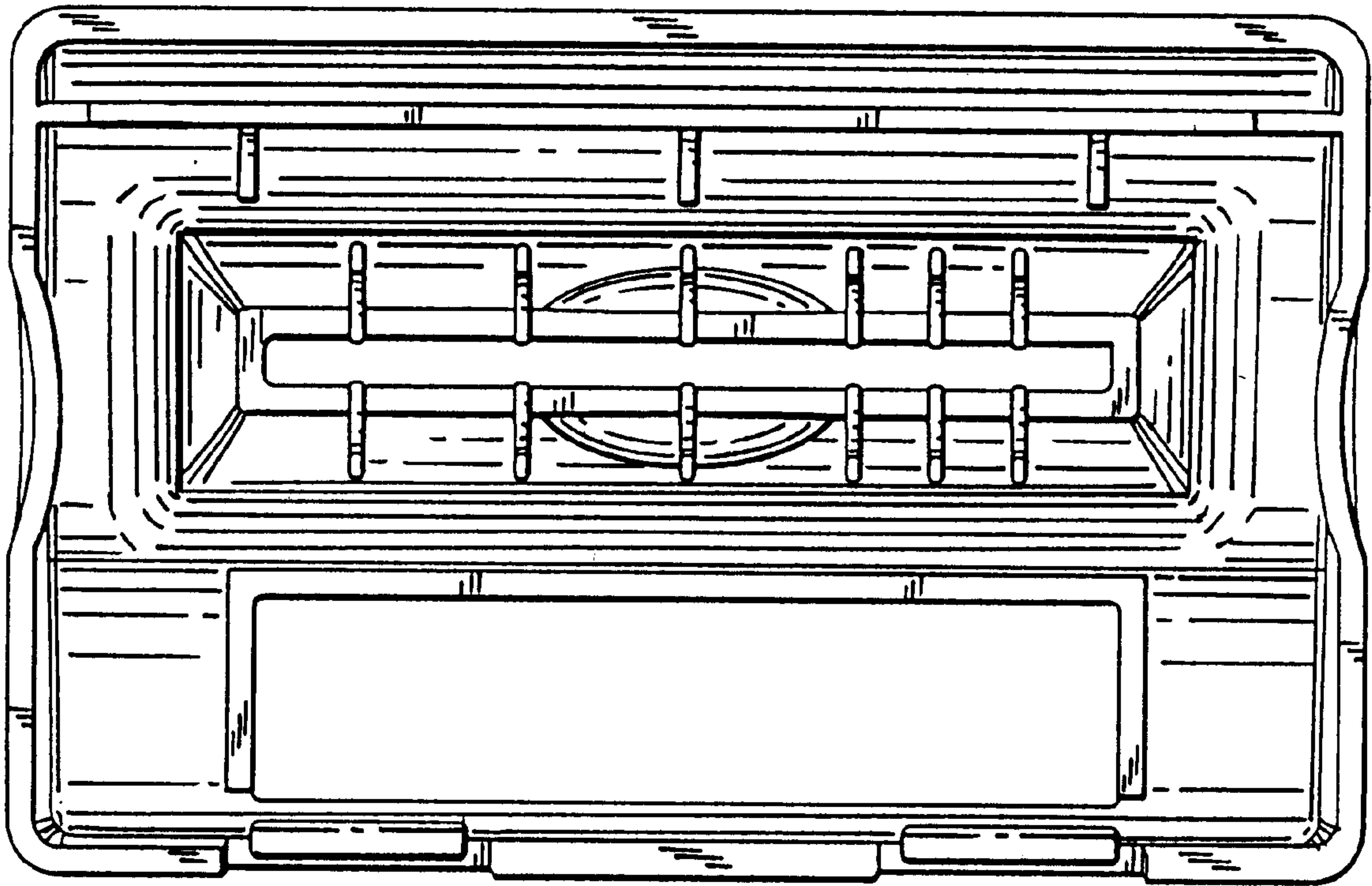


FIG.6