



US00D488510S

(12) **United States Design Patent**
Chen

(10) **Patent No.:** **US D488,510 S**

(45) **Date of Patent:** **** Apr. 13, 2004**

(54) **ADDRESS CARD CASE**

D303,873 S * 10/1989 Brusing D6/630
D359,762 S * 6/1995 Snell D19/76

(75) Inventor: **Peter Chen**, West Windsor, NJ (US)

* cited by examiner

(73) Assignee: **Officemate International Corp.**,
Edison, NJ (US)

Primary Examiner—Martie K. Holtje
(74) *Attorney, Agent, or Firm*—Daniel Kirshner, Esq.

(**) Term: **14 Years**

(57) **CLAIM**

(21) Appl. No.: **29/178,680**

The ornamental design for an address card case, as shown and described.

(22) Filed: **Mar. 28, 2003**

(51) **LOC (7) Cl.** **19-02**

(52) **U.S. Cl.** **D19/76; D19/75; D19/90**

(58) **Field of Search** D3/294; D6/407,
D6/629-634; D19/65, 75, 76, 78, 86, 90,
91, 95, 99, 100; 206/425, 555, 556, 759;
211/10, 11, 13.1, 45, 50, 51, 55; 40/371-380;
312/183, 185, 189, 193

DESCRIPTION

(56) **References Cited**

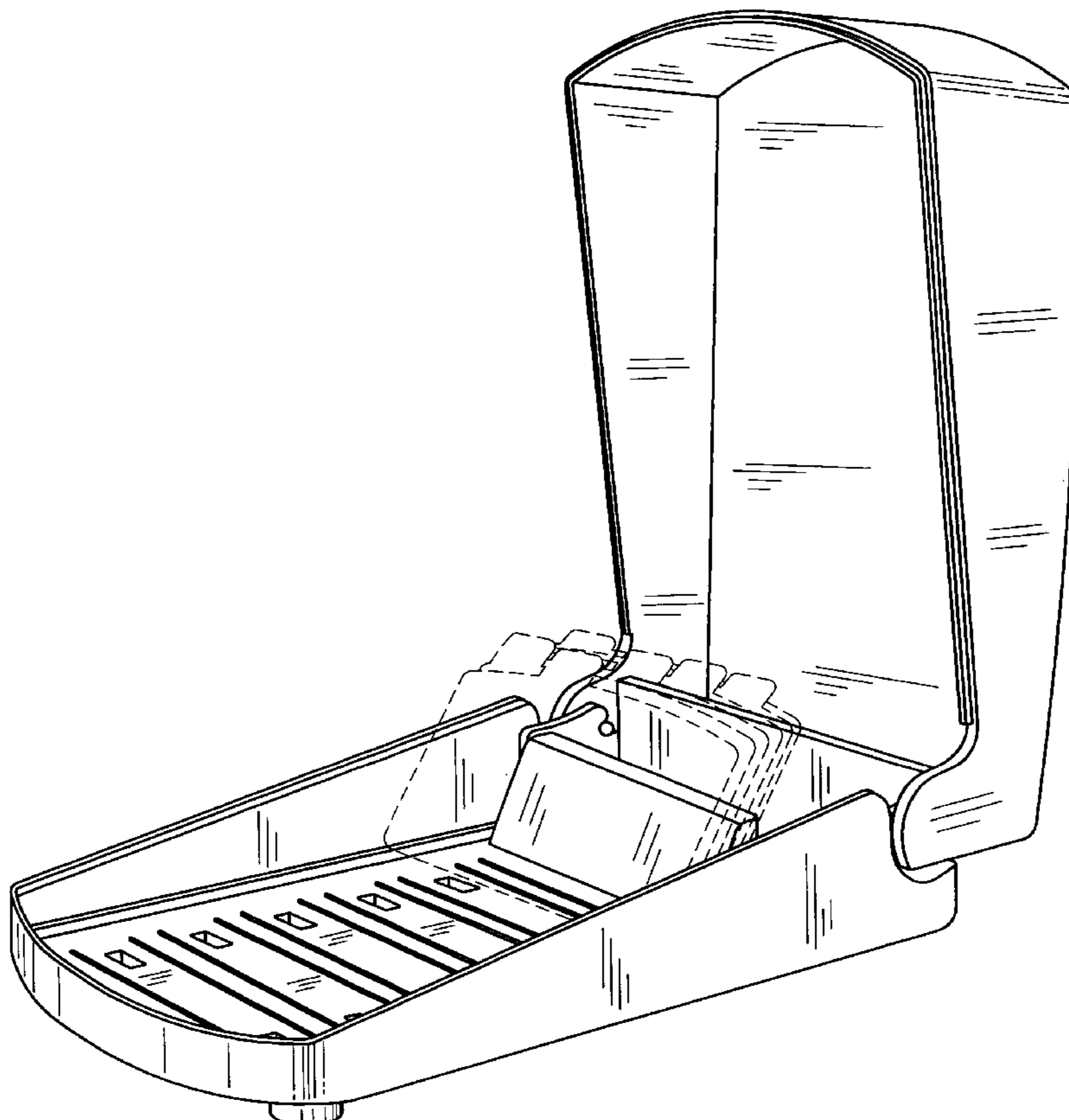
U.S. PATENT DOCUMENTS

- D156,268 S * 11/1949 Periman D3/294
- 2,503,611 A * 4/1950 Bruen 206/425 X
- D170,165 S * 8/1953 Roop D19/76
- D259,496 S * 6/1981 Hampshire et al. D19/76
- D281,464 S * 11/1985 Drake D6/634
- D283,902 S * 5/1986 Goertz D19/76

FIG. 1 is a front perspective view of the address card case showing the design;
FIG. 2 is a front elevational view thereof;
FIG. 3 is a rear elevational view thereof;
FIG. 4 is a left side elevational view thereof;
FIG. 5 is a right side elevational view thereof;
FIG. 6 is a top plan view thereof;
FIG. 7 is a bottom plan view thereof; and,
FIG. 8 is a front perspective view thereof showing its lid open.

The address cards depicted by means of broken lines in FIG. 8 have been shown for illustrative purposes only and form no part of the claimed design.

1 Claim, 6 Drawing Sheets



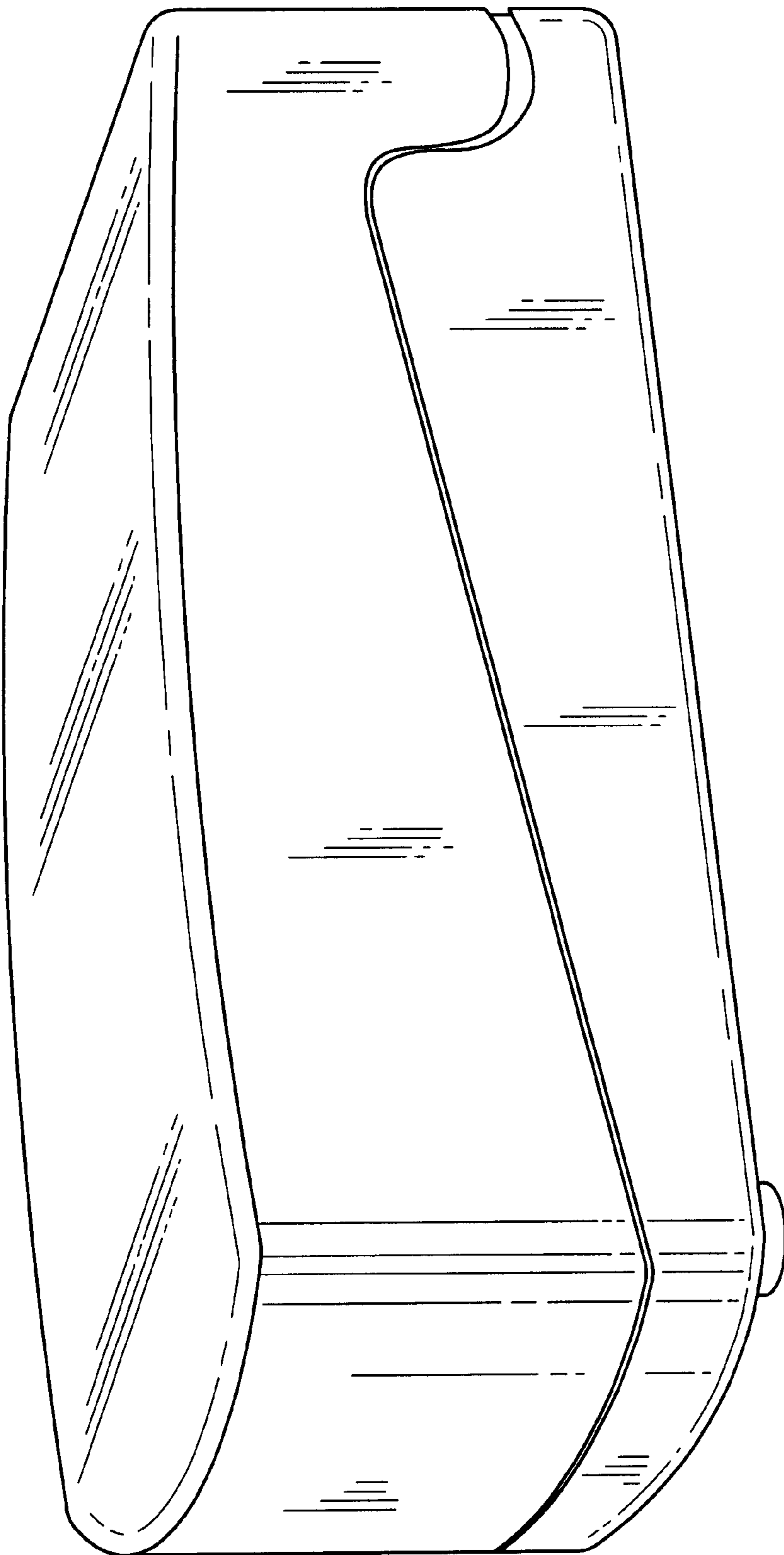


FIG. 1

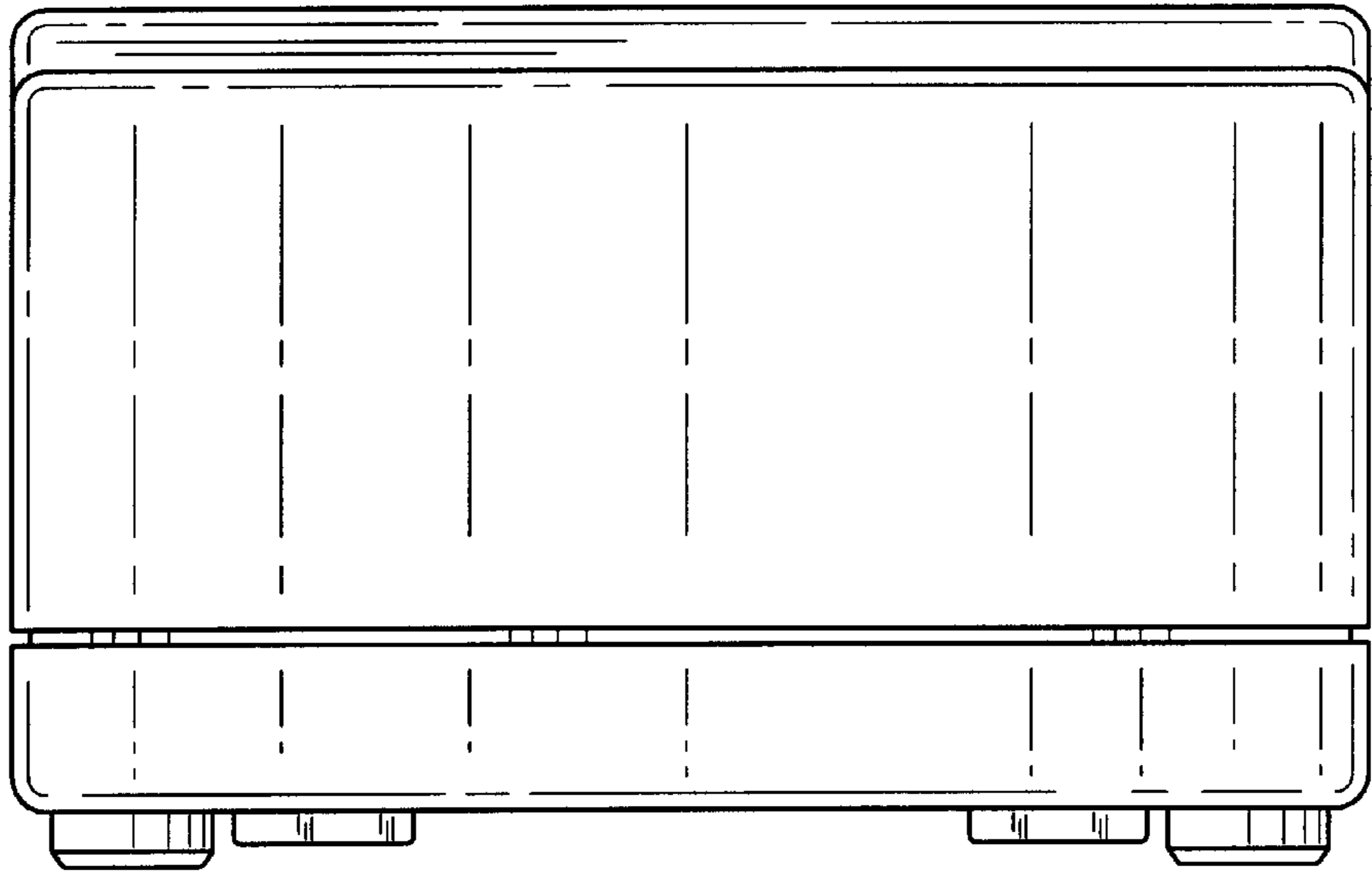


FIG. 2

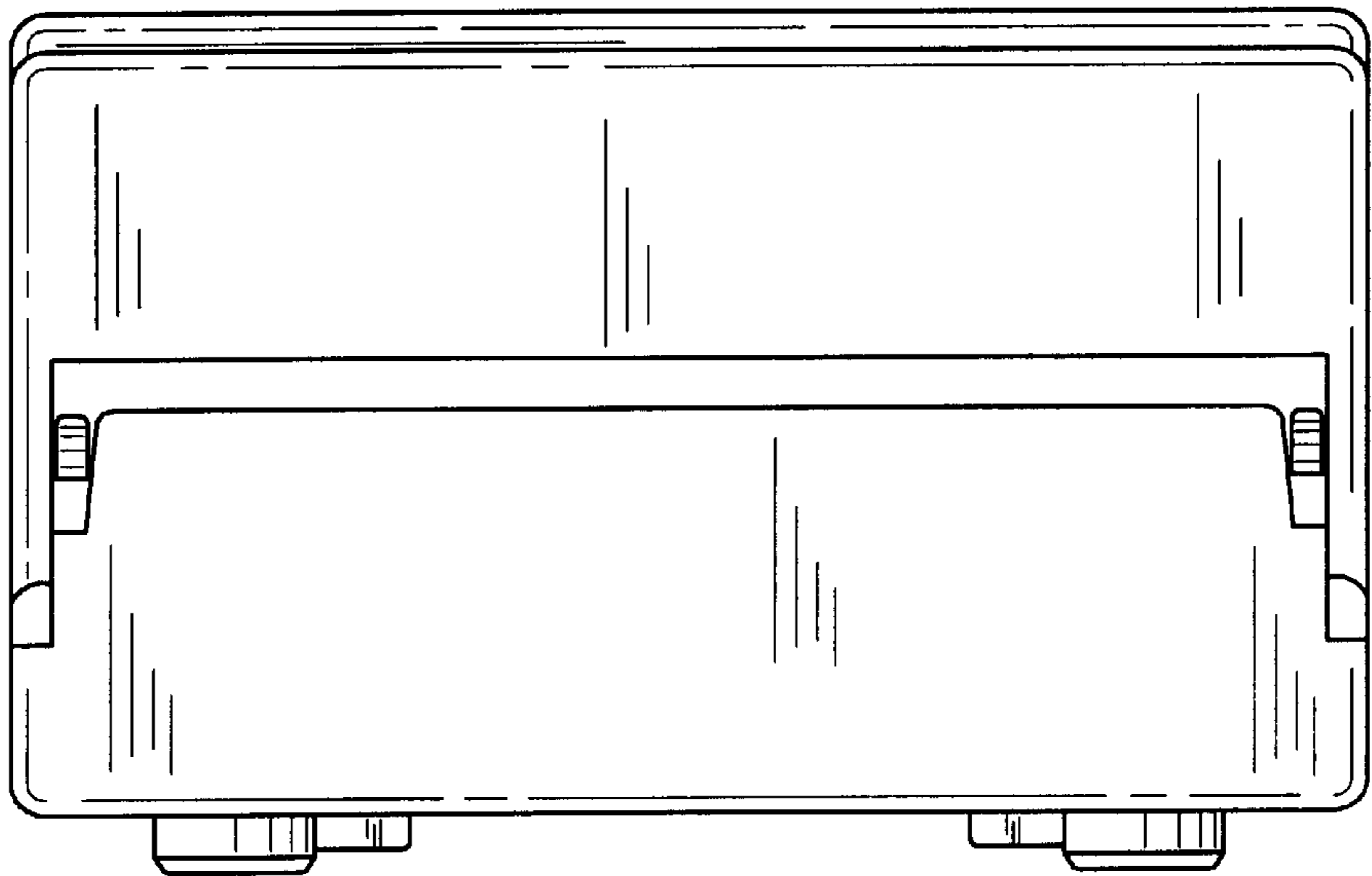


FIG. 3

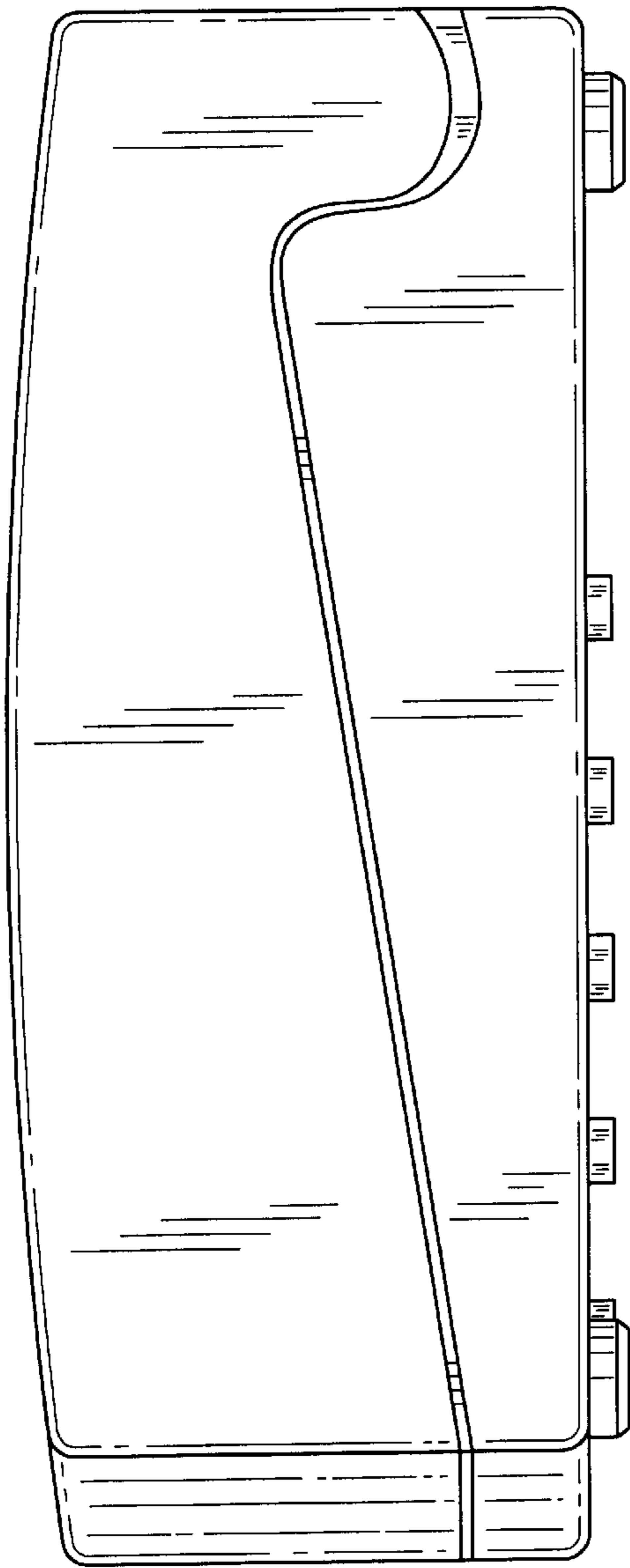


FIG. 4

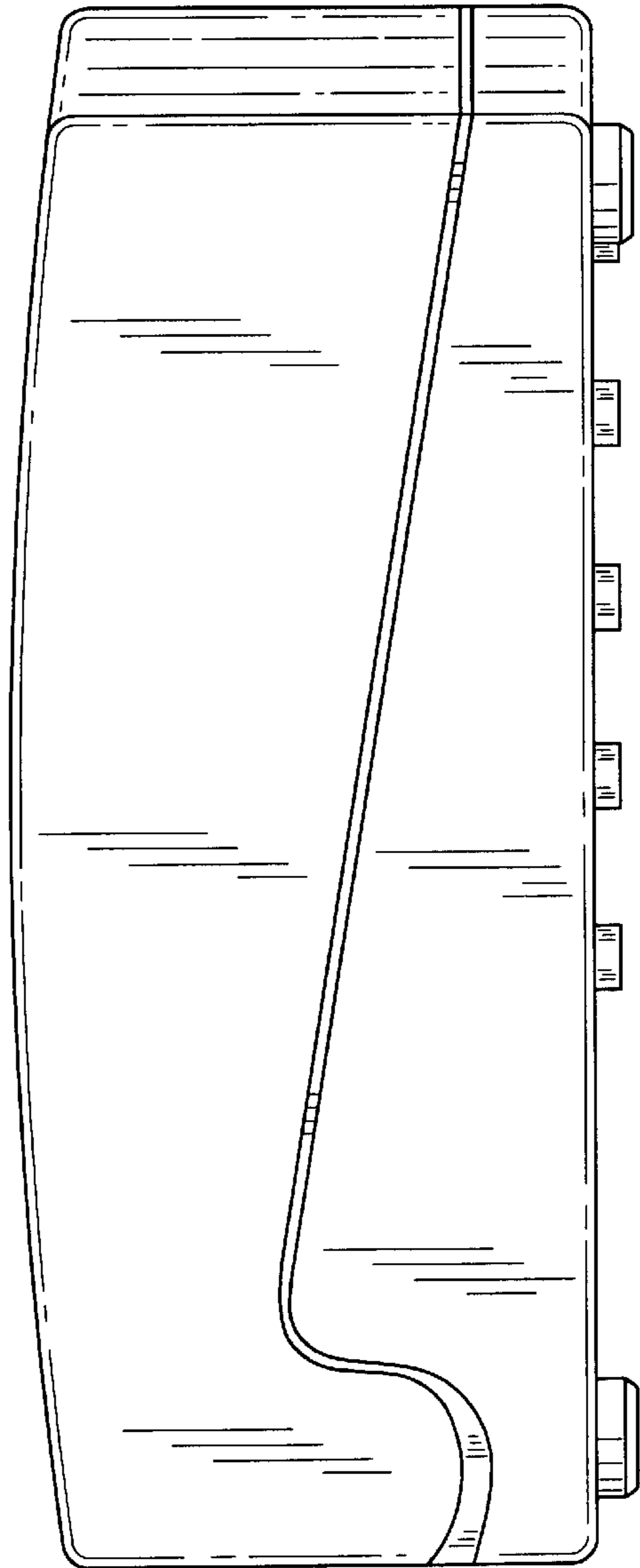


FIG. 5

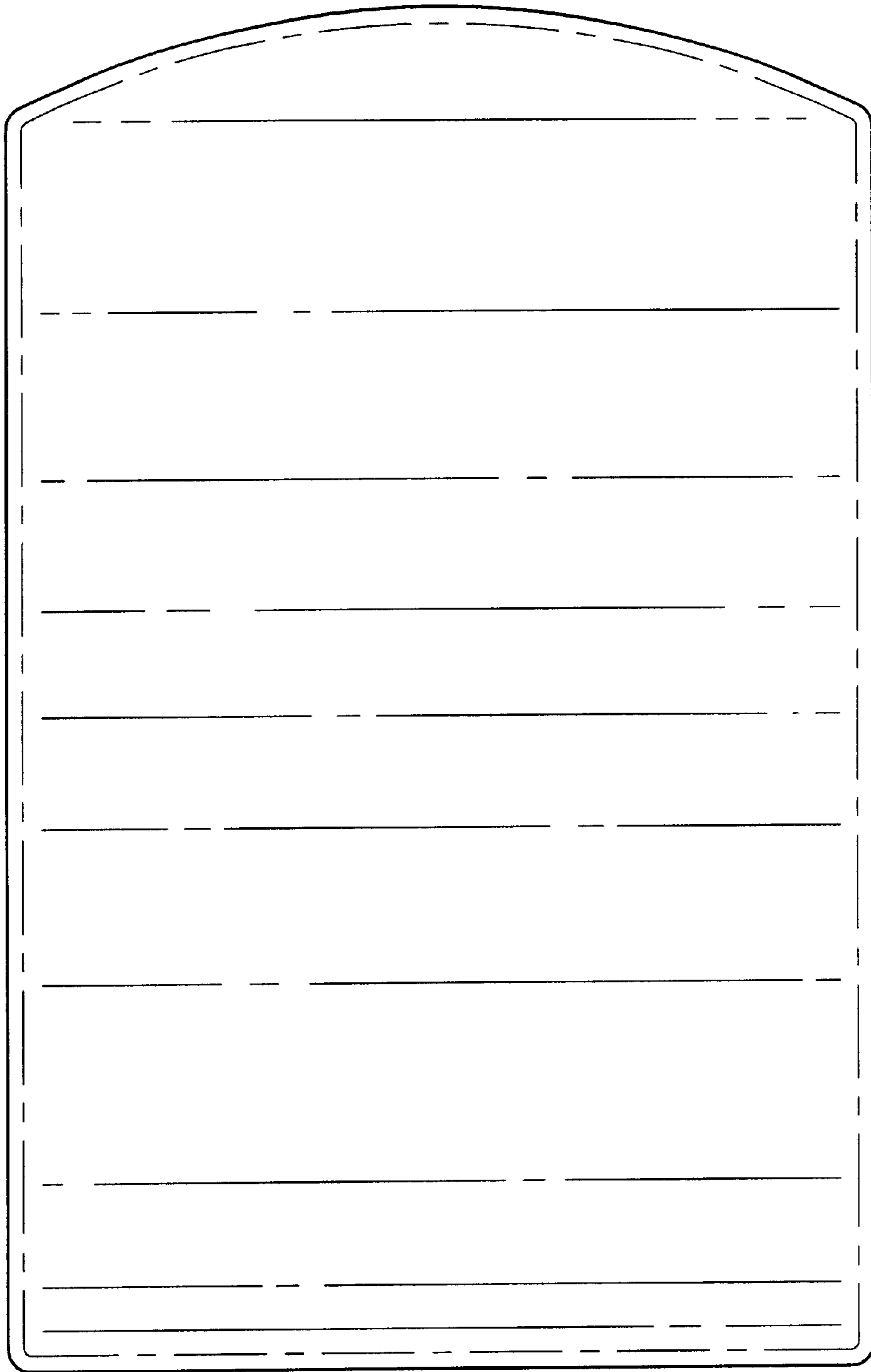


FIG. 6

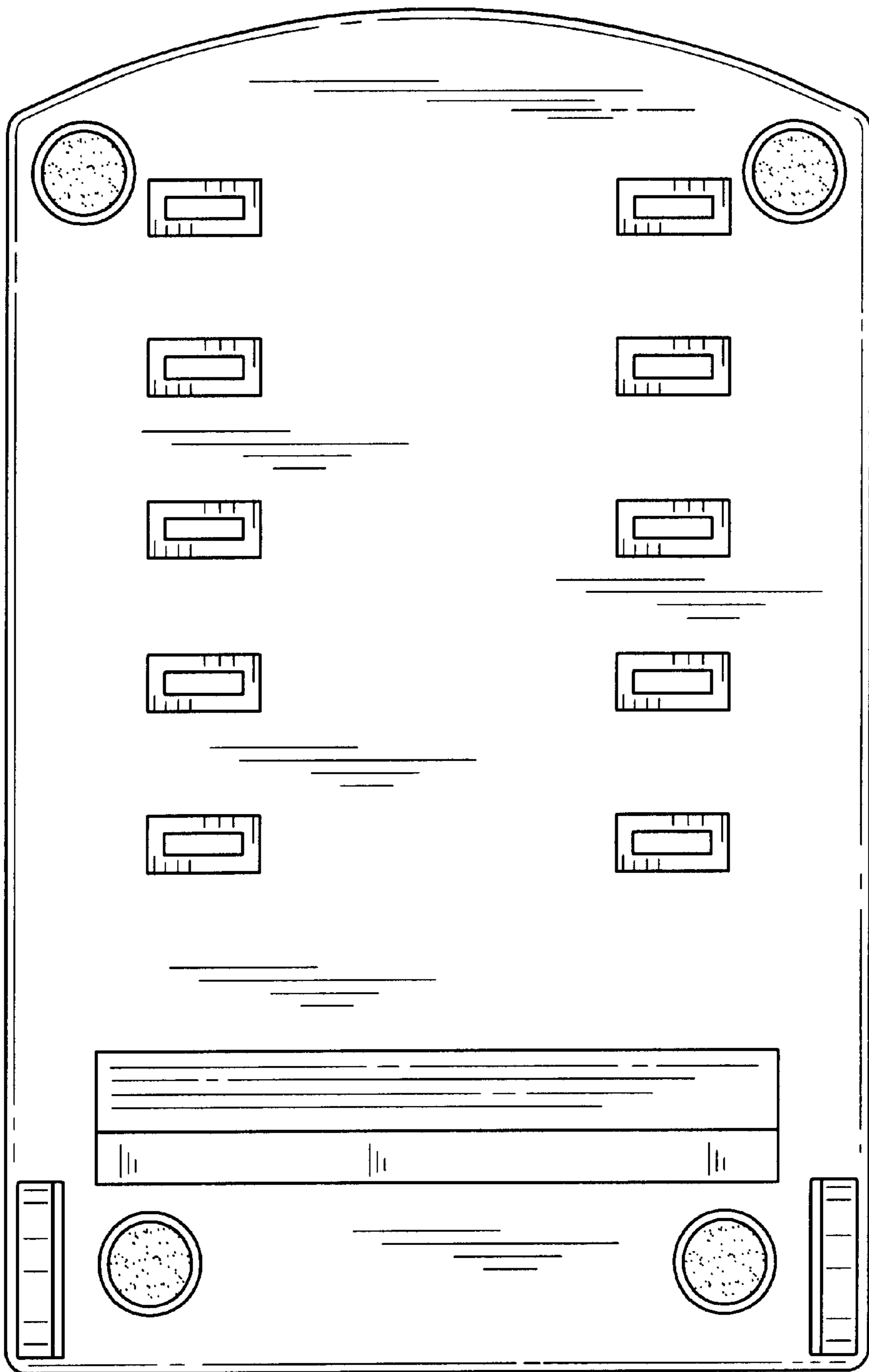


FIG. 7

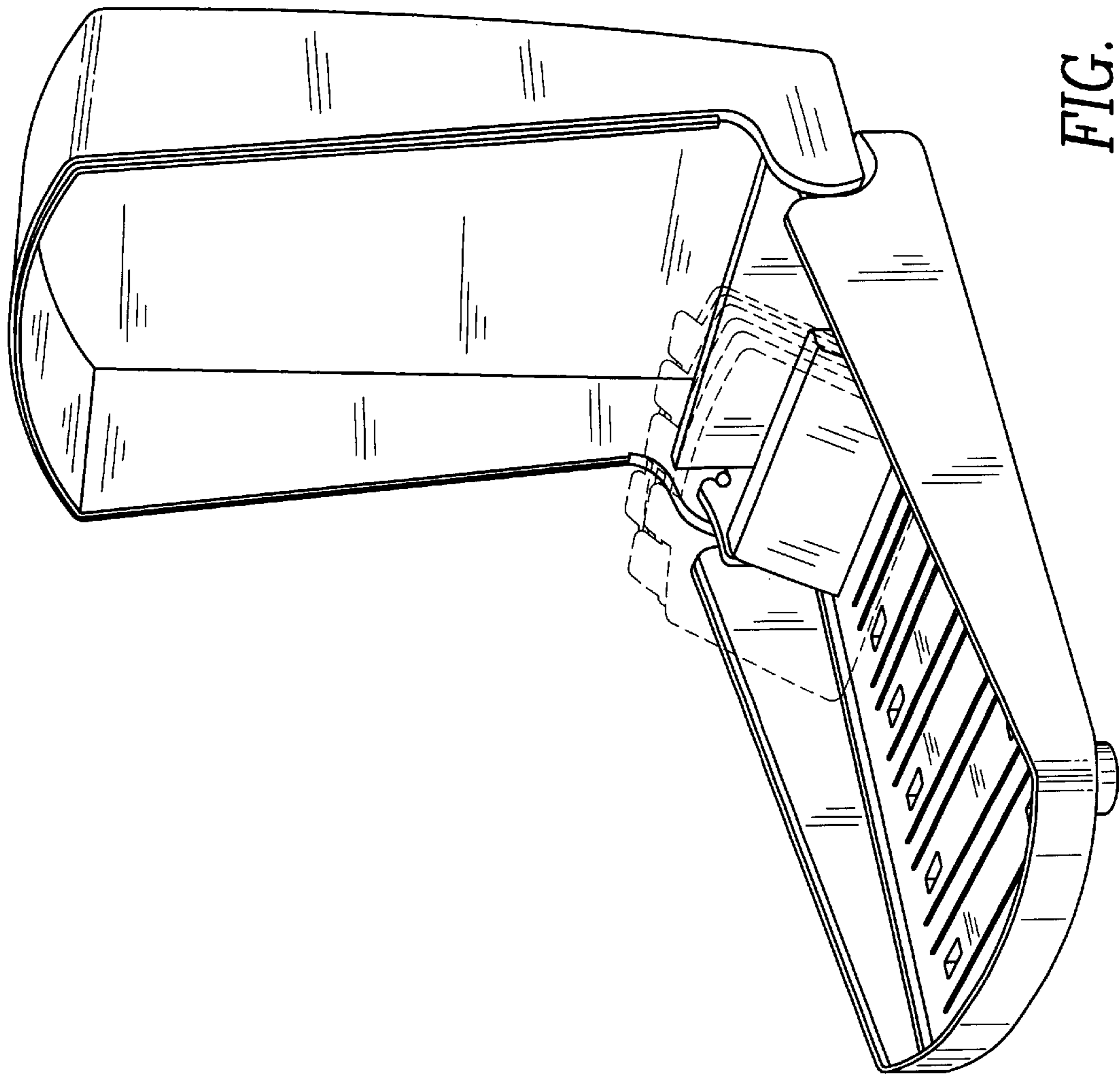


FIG. 8