



US00D488504S

(12) **United States Design Patent**
Yamada et al.

(10) **Patent No.:** **US D488,504 S**

(45) **Date of Patent:** **** Apr. 13, 2004**

(54) **INK CARTRIDGE**

(75) Inventors: **Manabu Yamada, Suwa (JP); Koji Yamada, Suwa (JP); Chiyoshige Nakazawa, Suwa (JP)**

(73) Assignee: **Seiko Epson Corporation (JP)**

(**) Term: **14 Years**

(21) Appl. No.: **29/169,381**

(22) Filed: **Oct. 18, 2002**

(30) **Foreign Application Priority Data**

Apr. 24, 2002 (JP) 2002-010988
Apr. 24, 2002 (JP) 2002-010989
Apr. 24, 2002 (JP) 2002-010990

(51) **LOC (7) Cl.** **18-02**

(52) **U.S. Cl.** **D18/56; 347/86**

(58) **Field of Search** **D18/56, 40, 43; 347/86, 87**

(56) **References Cited**

U.S. PATENT DOCUMENTS

D421,270 S * 2/2000 Yamaguchi D18/56
D425,110 S * 5/2000 Dietl et al. D18/56

D446,545 S * 8/2001 Tanaka D18/56
D454,363 S * 3/2002 Seino et al. D18/56
D464,371 S * 10/2002 Boyd et al. D18/56
D477,841 S * 7/2003 Shimizu et al. D18/56

* cited by examiner

Primary Examiner—Cathy Anne MacCormac

(74) *Attorney, Agent, or Firm*—Harness, Dickey & Pierce, P.L.C.

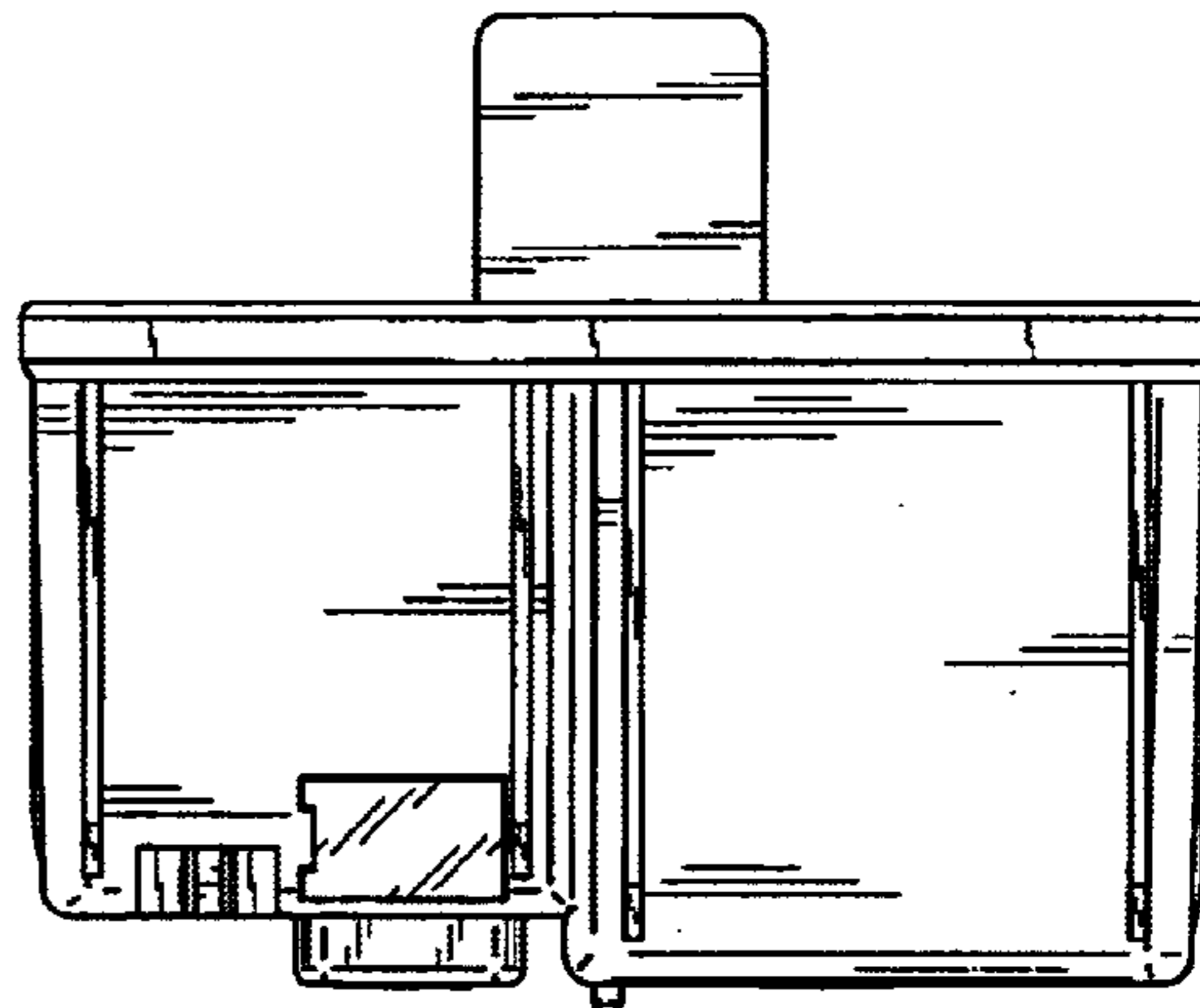
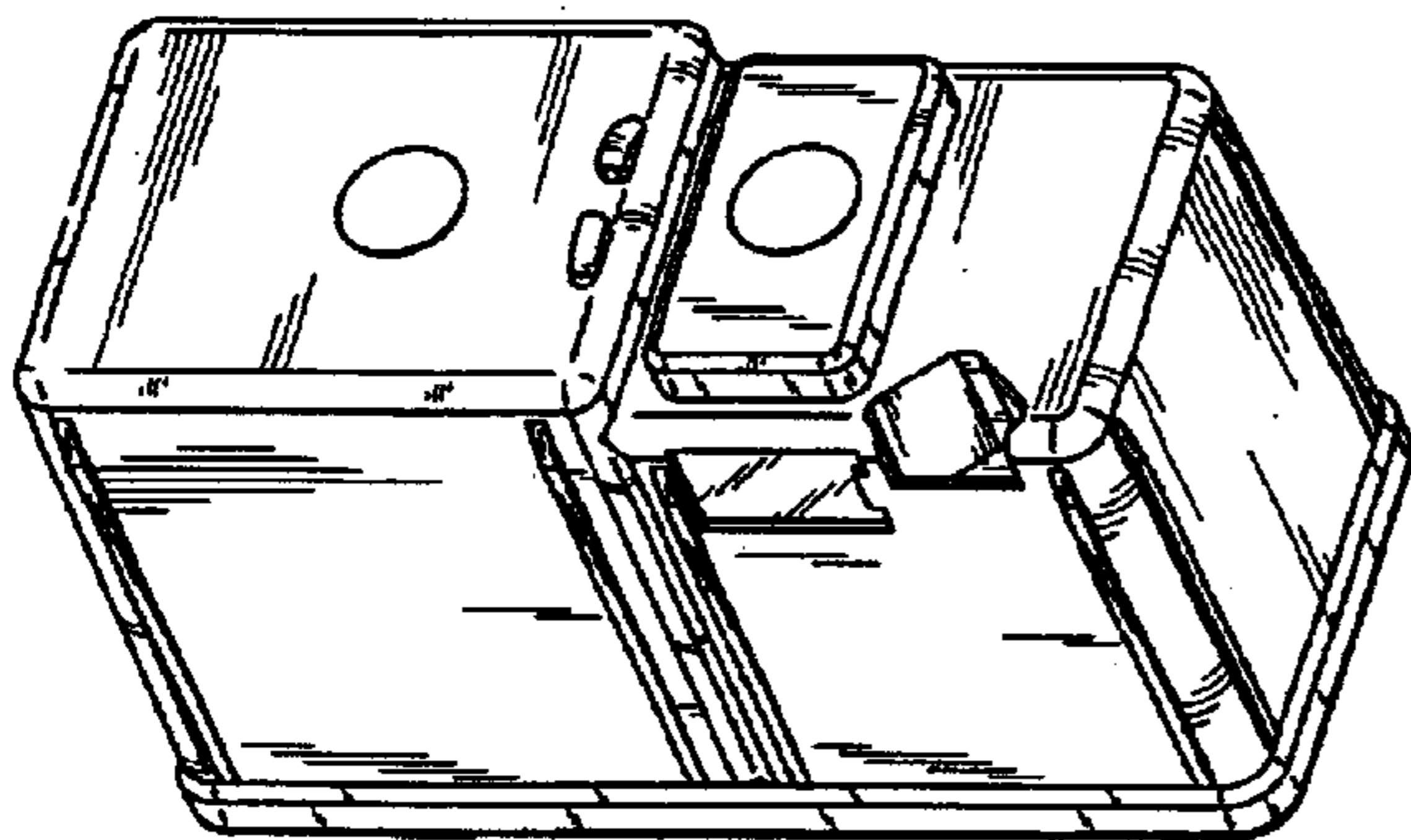
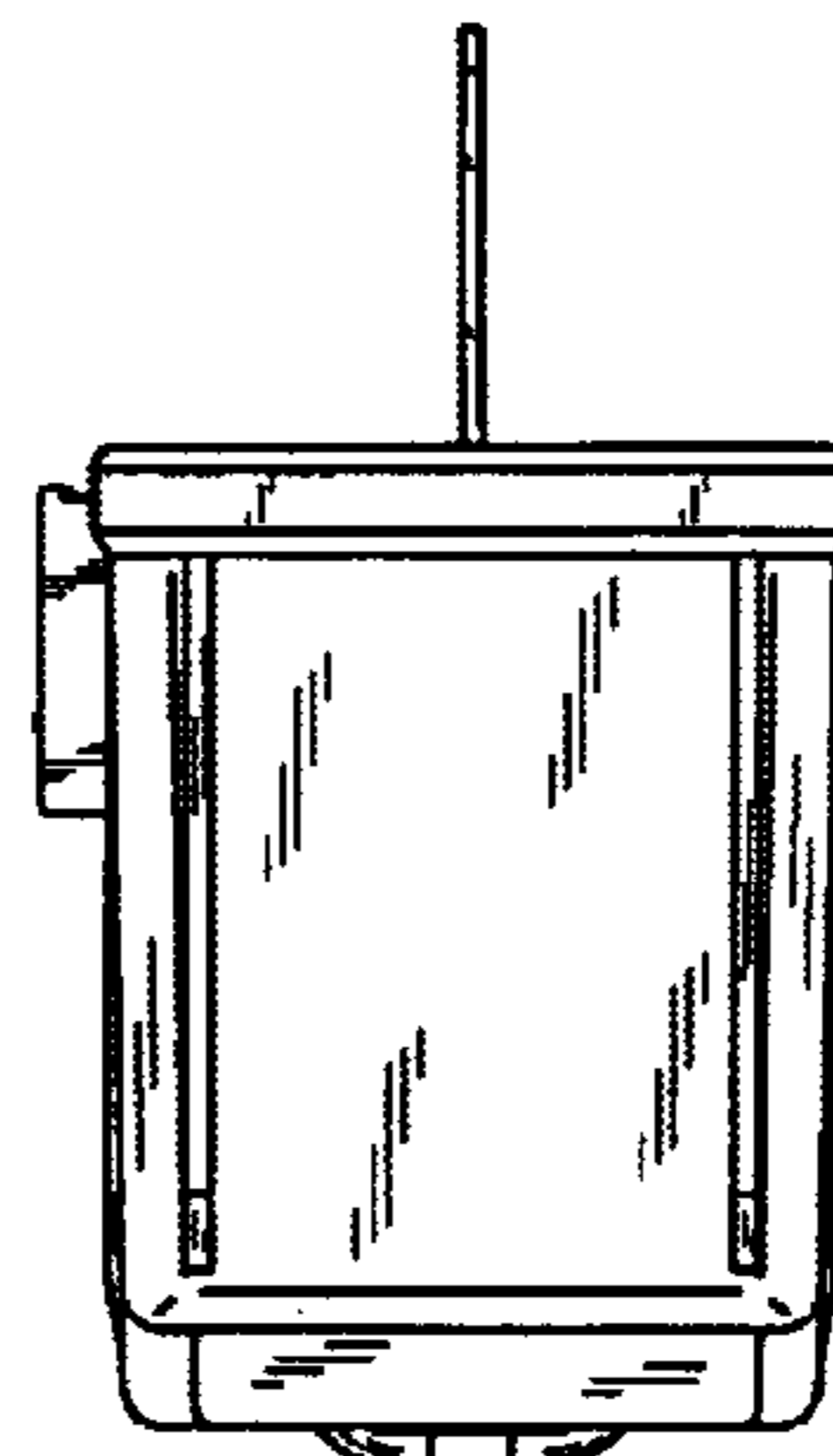
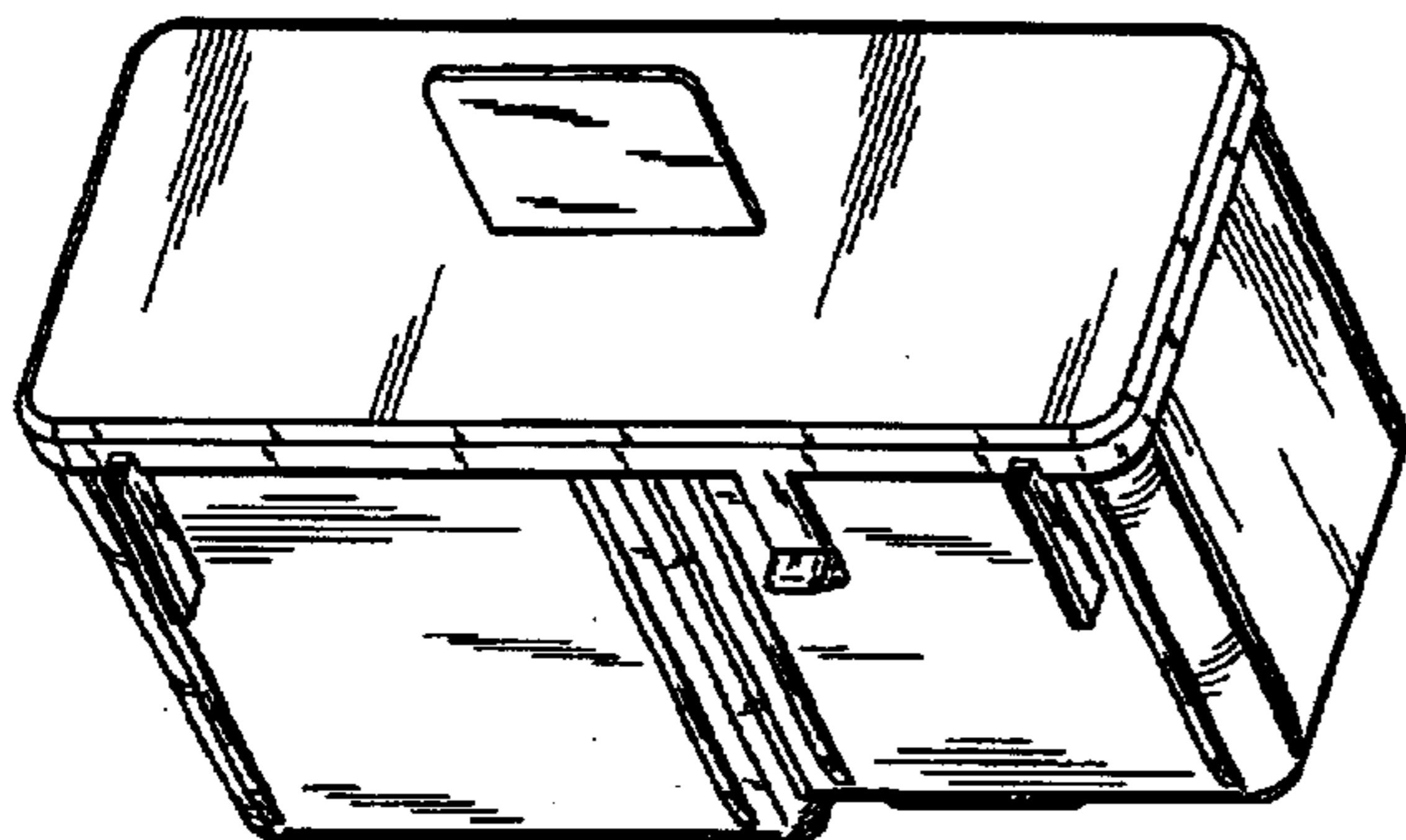
(57) **CLAIM**

The ornamental design for an ink cartridge, as shown and described.

DESCRIPTION

FIG. 1 is a top, front, and right side perspective view of the ink cartridge embodying our new design;
FIG. 2 is a bottom, rear and right side perspective view thereof;
FIG. 3 is a top plan view thereof;
FIG. 4 is a bottom plan view thereof;
FIG. 5 is a left side view thereof;
FIG. 6 is a right side view thereof;
FIG. 7 is a rear view thereof; and,
FIG. 8 is a front view thereof.

1 Claim, 4 Drawing Sheets



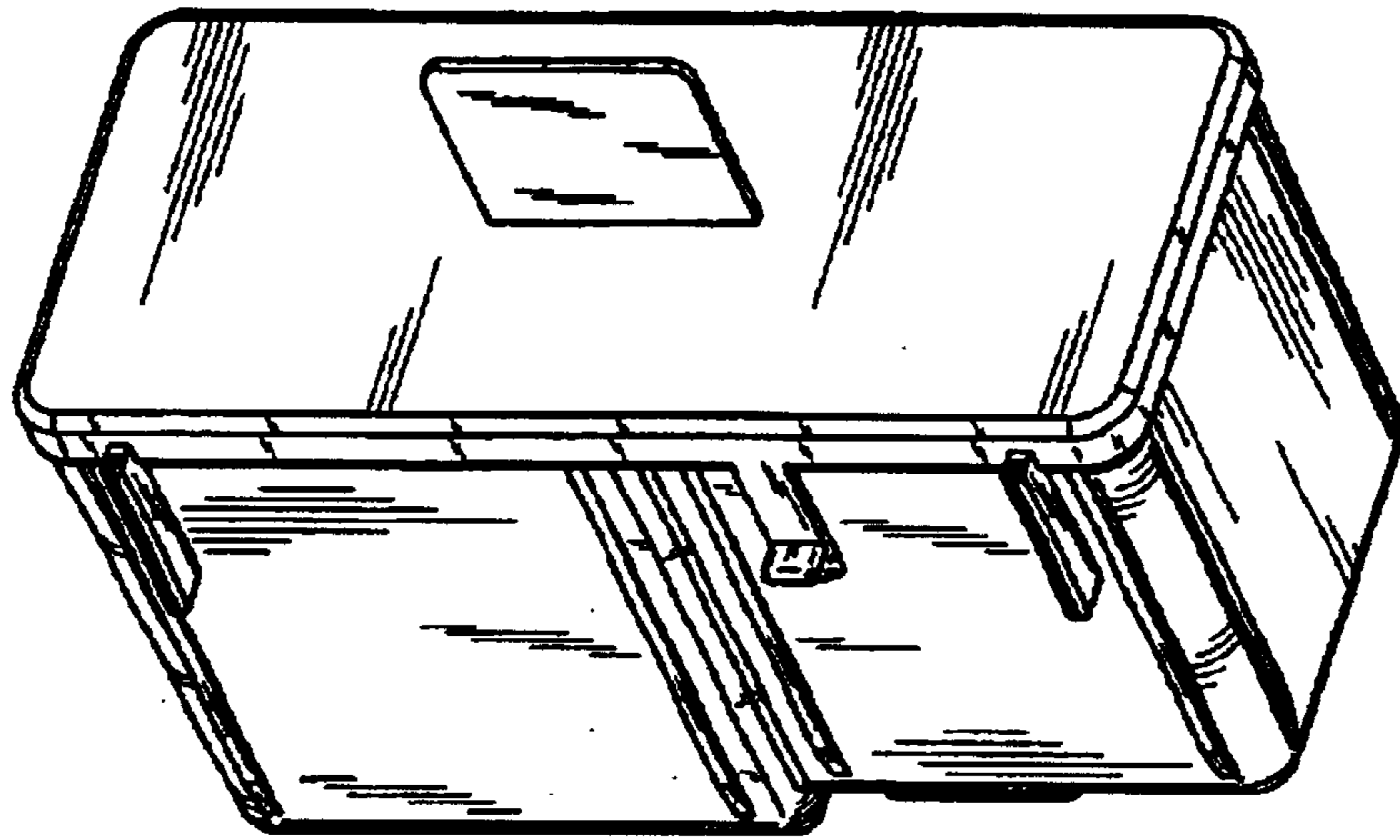


FIG. 1

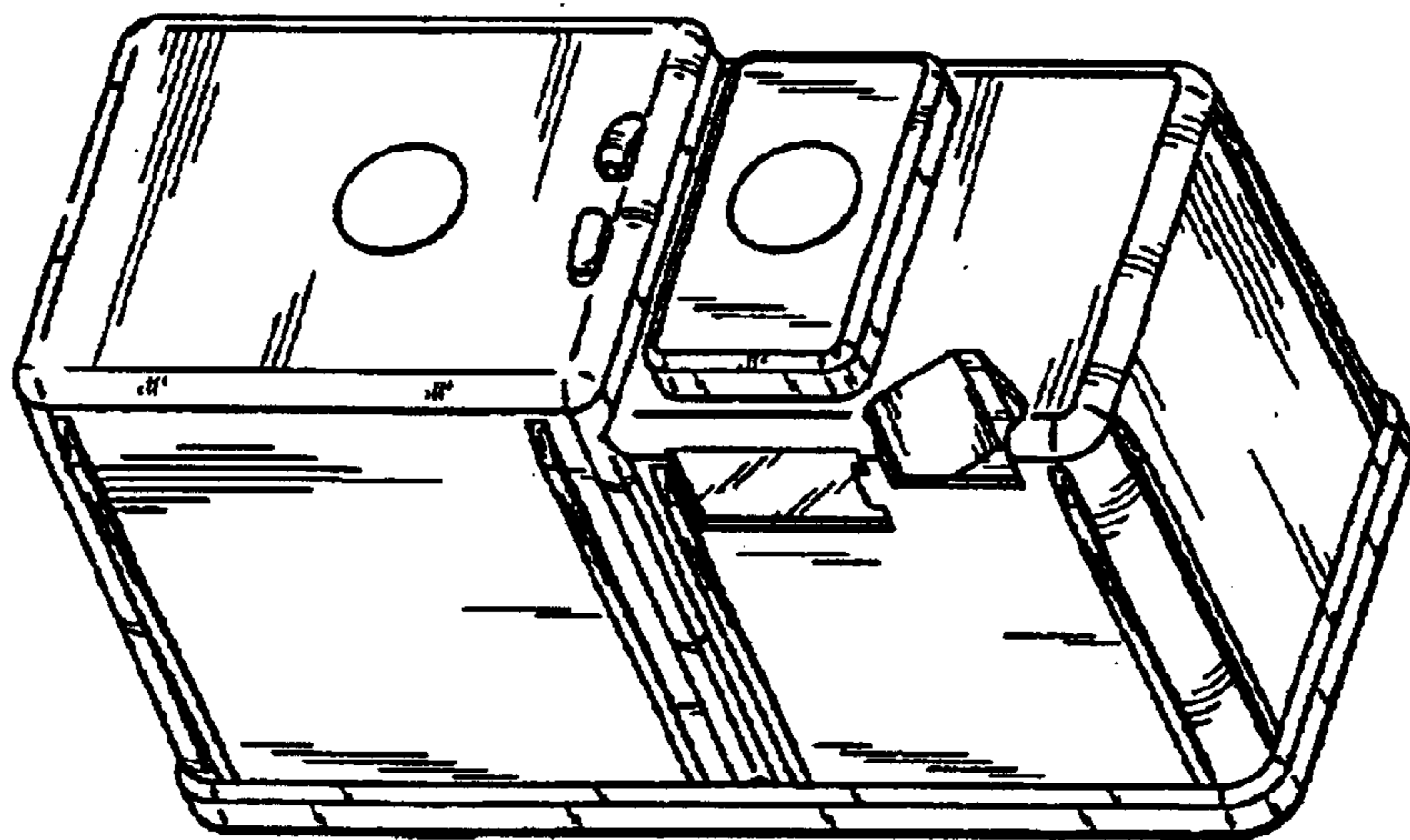


FIG. 2

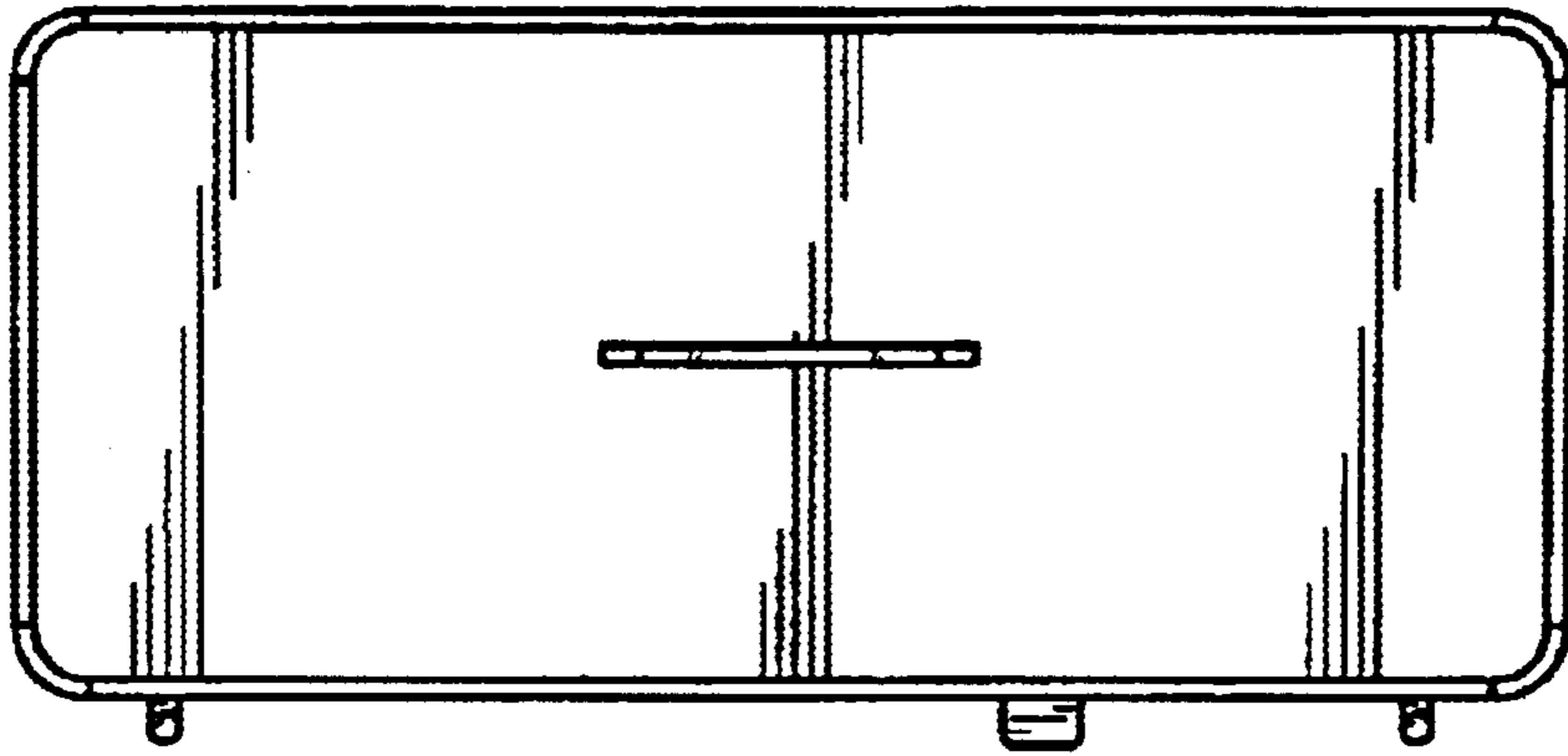


FIG. 3

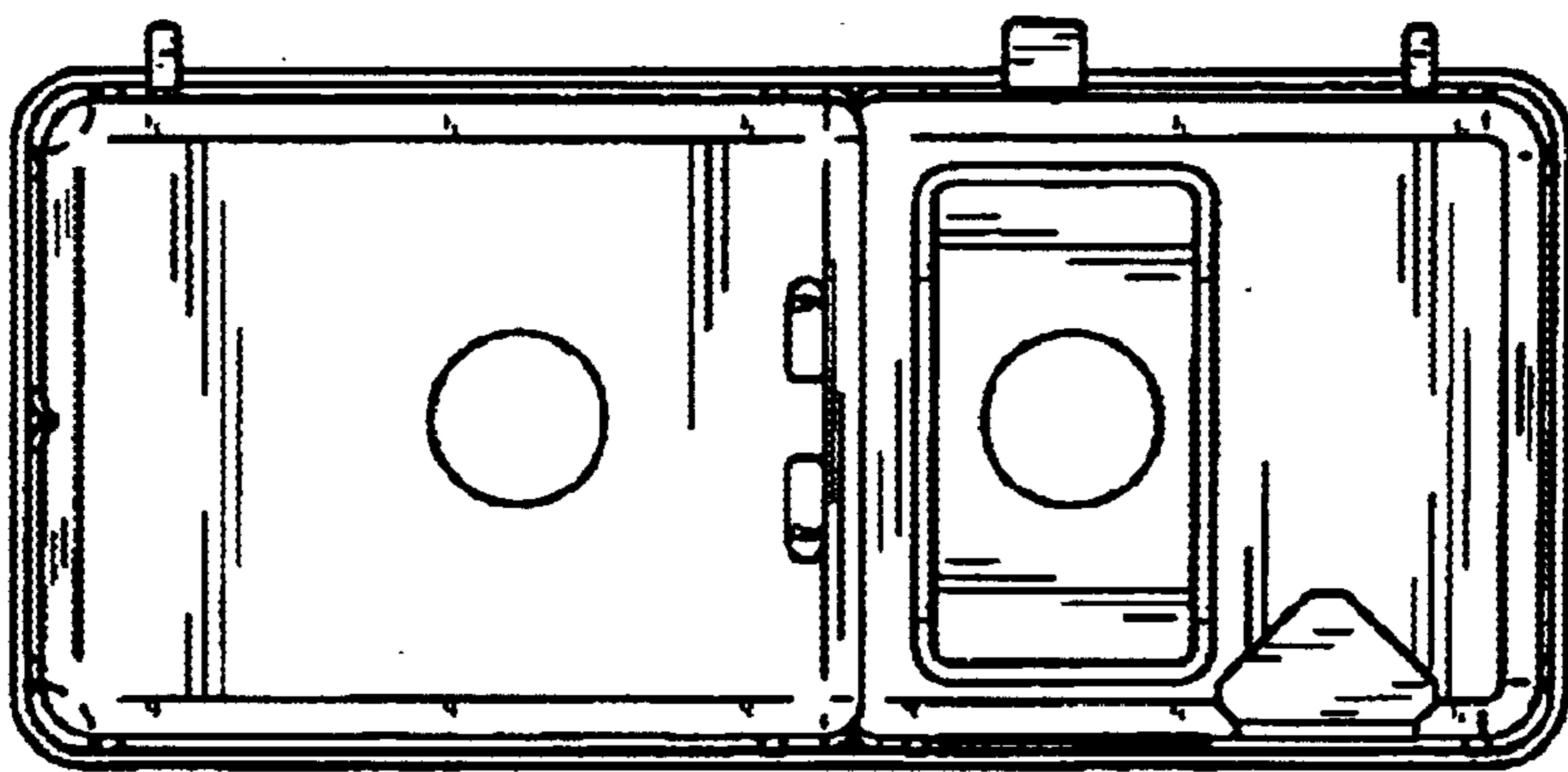


FIG. 4

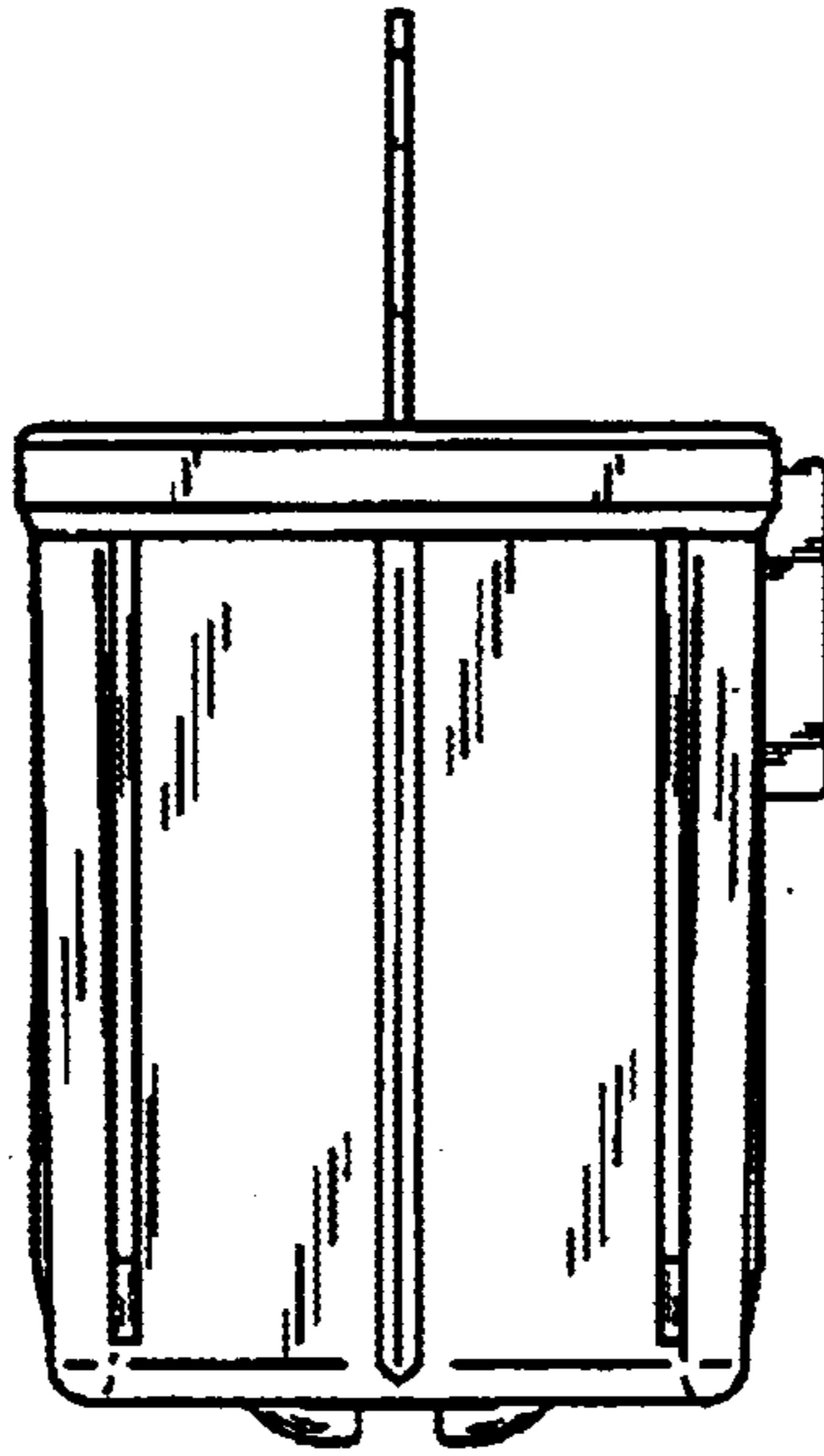


FIG. 5

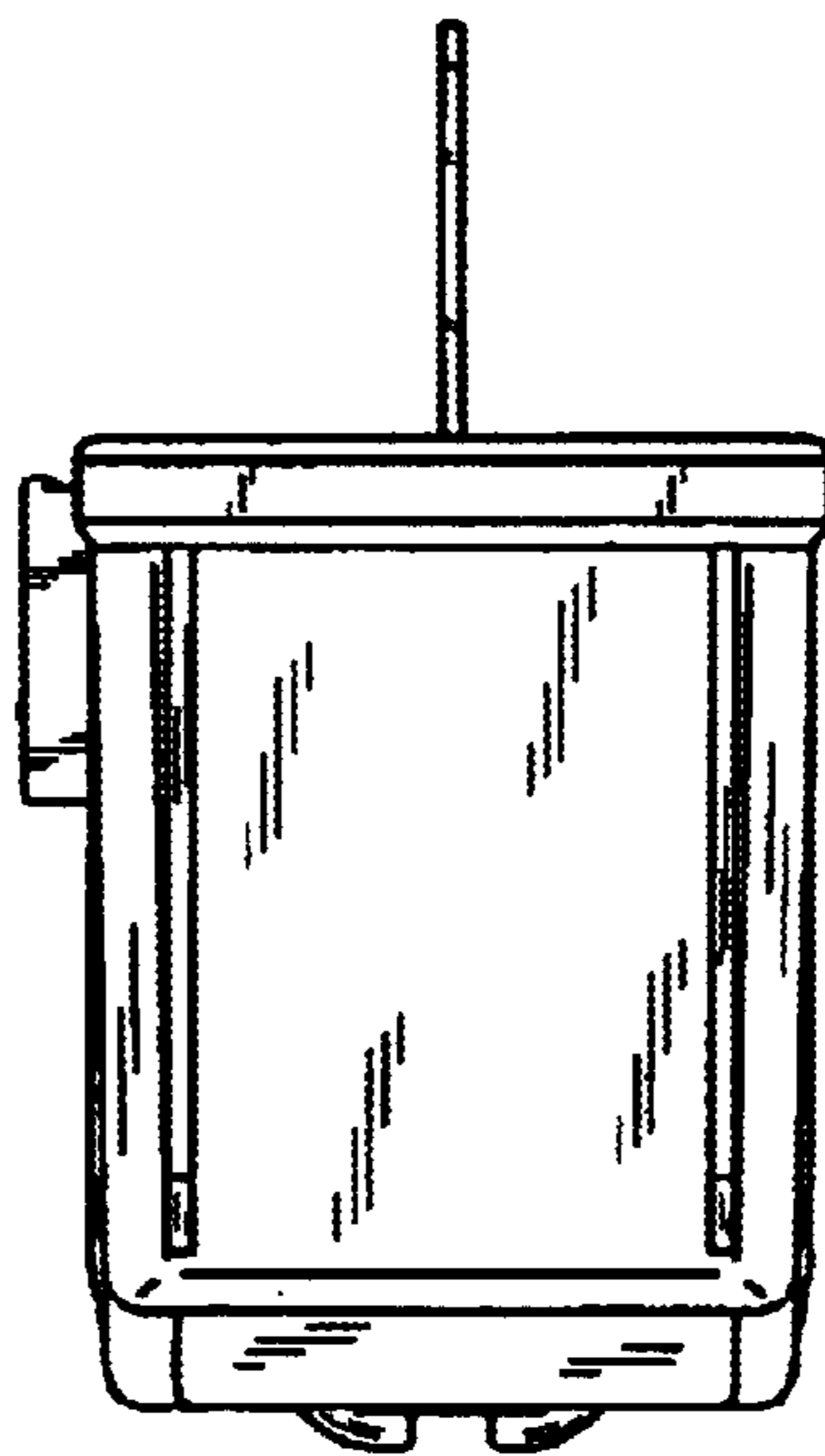


FIG. 6

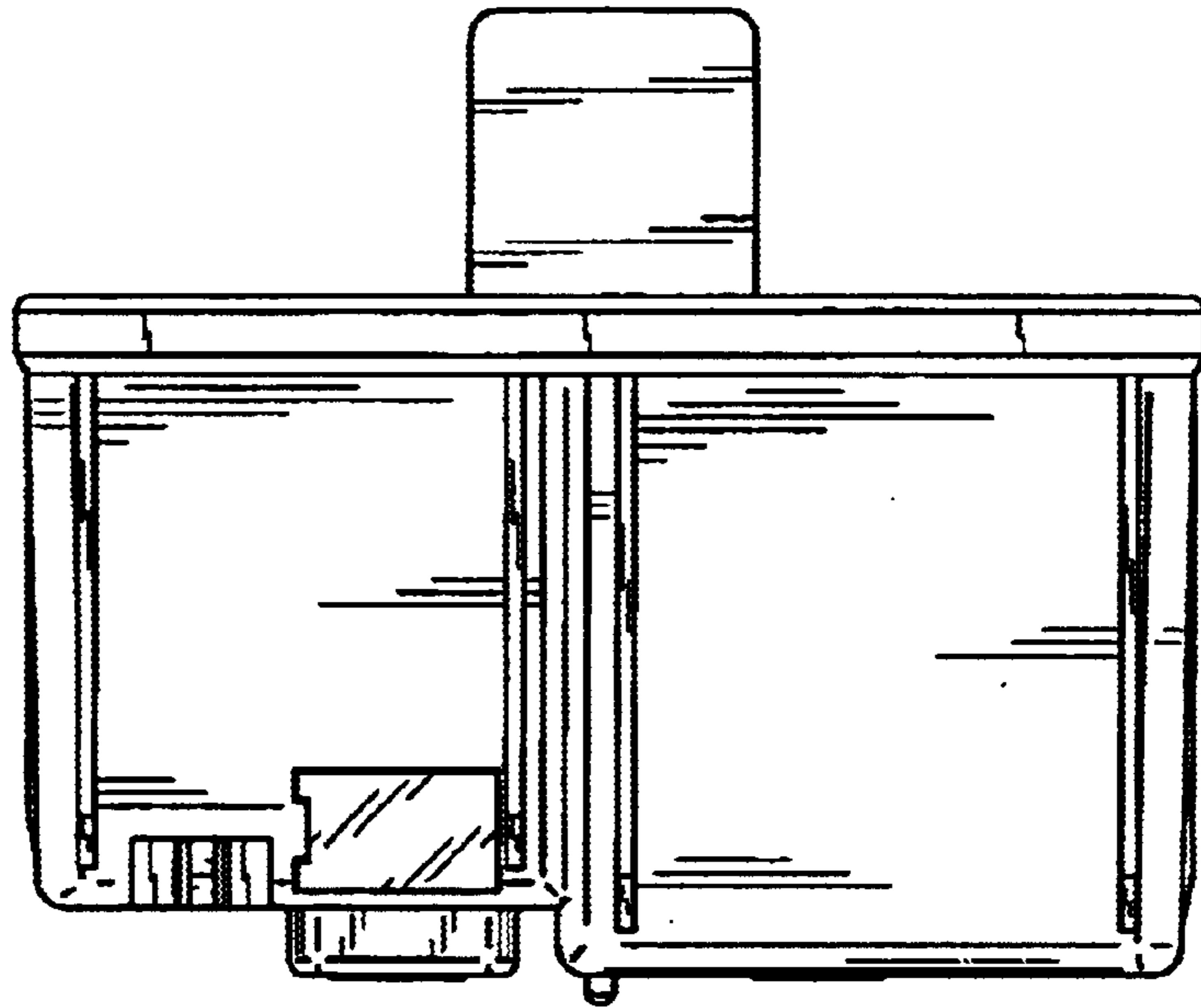


FIG. 7

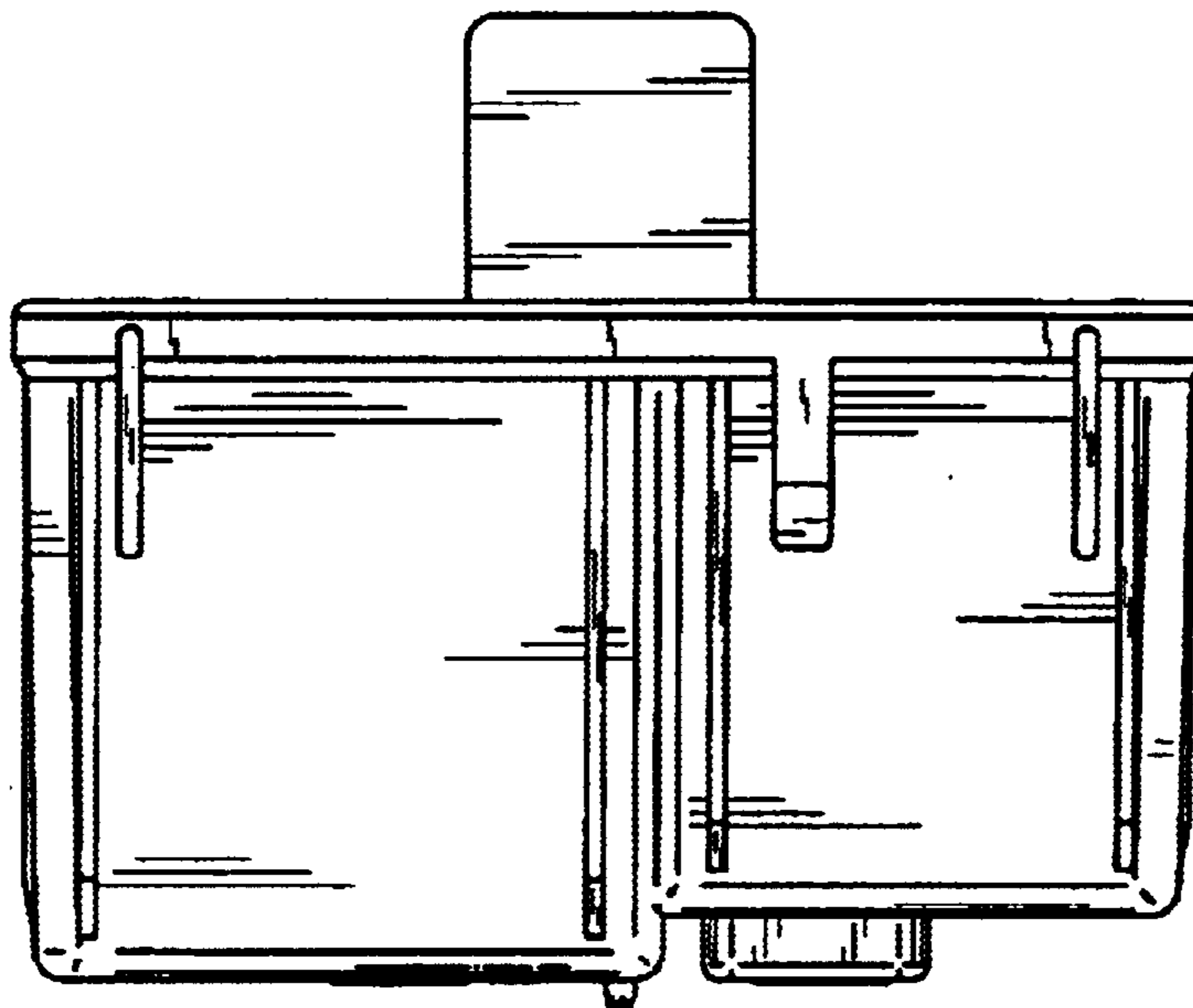


FIG. 8