



US00D488502S

(12) **United States Design Patent**
Tashiro

(10) **Patent No.:** **US D488,502 S**

(45) **Date of Patent:** **** Apr. 13, 2004**

(54) **SIDE WALLS FOR A COMPUTER PRINTER**

(75) Inventor: **Naoki Tashiro**, Kawasaki (JP)

(73) Assignee: **Canon Kabushiki Kaisha**, Tokyo (JP)

(**) Term: **14 Years**

(21) Appl. No.: **29/156,189**

(22) Filed: **Feb. 26, 2002**

(30) **Foreign Application Priority Data**

Sep. 12, 2001 (JP) 2001-026756

(51) **LOC (7) Cl.** **14-02**

(52) **U.S. Cl.** **D18/55**

(58) **Field of Search** D18/50, 54-55,
D18/36-38; 400/613, 613.1-613.4, 691-694,
690.1-690.4; D14/462-470

(56) **References Cited**

U.S. PATENT DOCUMENTS

- D210,108 S * 2/1968 Kooch D18/50
- D215,218 S * 9/1969 Plantholt D14/462
- D299,346 S * 1/1989 Lehman et al. D18/54
- 4,904,100 A * 2/1990 Enix 400/613
- D330,723 S * 11/1992 Mitsushima et al. D18/55
- D333,316 S * 2/1993 Ishizawa D18/55
- D349,922 S * 8/1994 Tashiro D18/50
- D386,515 S * 11/1997 Sommerville et al. D15/54.1
- D412,013 S * 7/1999 Karten et al. D18/50

- D421,979 S * 3/2000 Agata D14/470
- D430,199 S * 8/2000 Petteruti et al. D18/50
- D443,889 S * 6/2001 Yamano et al. D18/50
- D444,812 S * 7/2001 Toh et al. D18/55
- D466,922 S 12/2002 Tashiro D18/54

FOREIGN PATENT DOCUMENTS

JP 1128638 12/2001

* cited by examiner

Primary Examiner—Cathy Anne MacCormac

(74) *Attorney, Agent, or Firm*—Fitzpatrick, Cella, Harper & Scinto

(57) **CLAIM**

The ornamental design for side walls for a computer printer, as shown and described.

DESCRIPTION

FIG. 1 is a front view of a computer printer showing my new design of side walls for a computer printer;

FIG. 2 is a rear view thereof;

FIG. 3 is a top plan view thereof;

FIG. 4 is a bottom plan view thereof;

FIG. 5 is a left side view thereof;

FIG. 6 is a right side view thereof; and,

FIG. 7 is a perspective view thereof.

The broken lines are for illustrative purposes only and form no part of the claimed design.

1 Claim, 5 Drawing Sheets

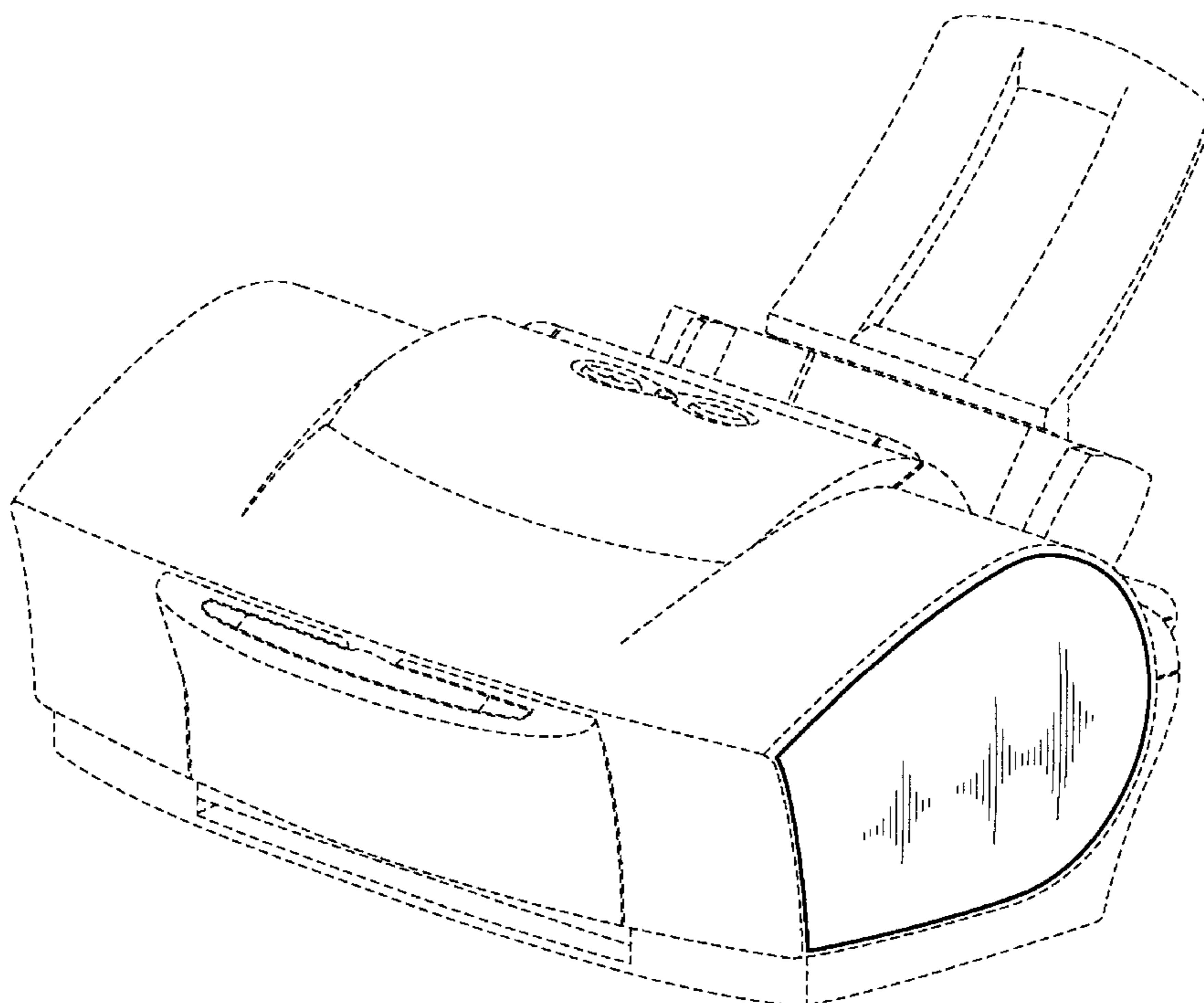


FIG. 1

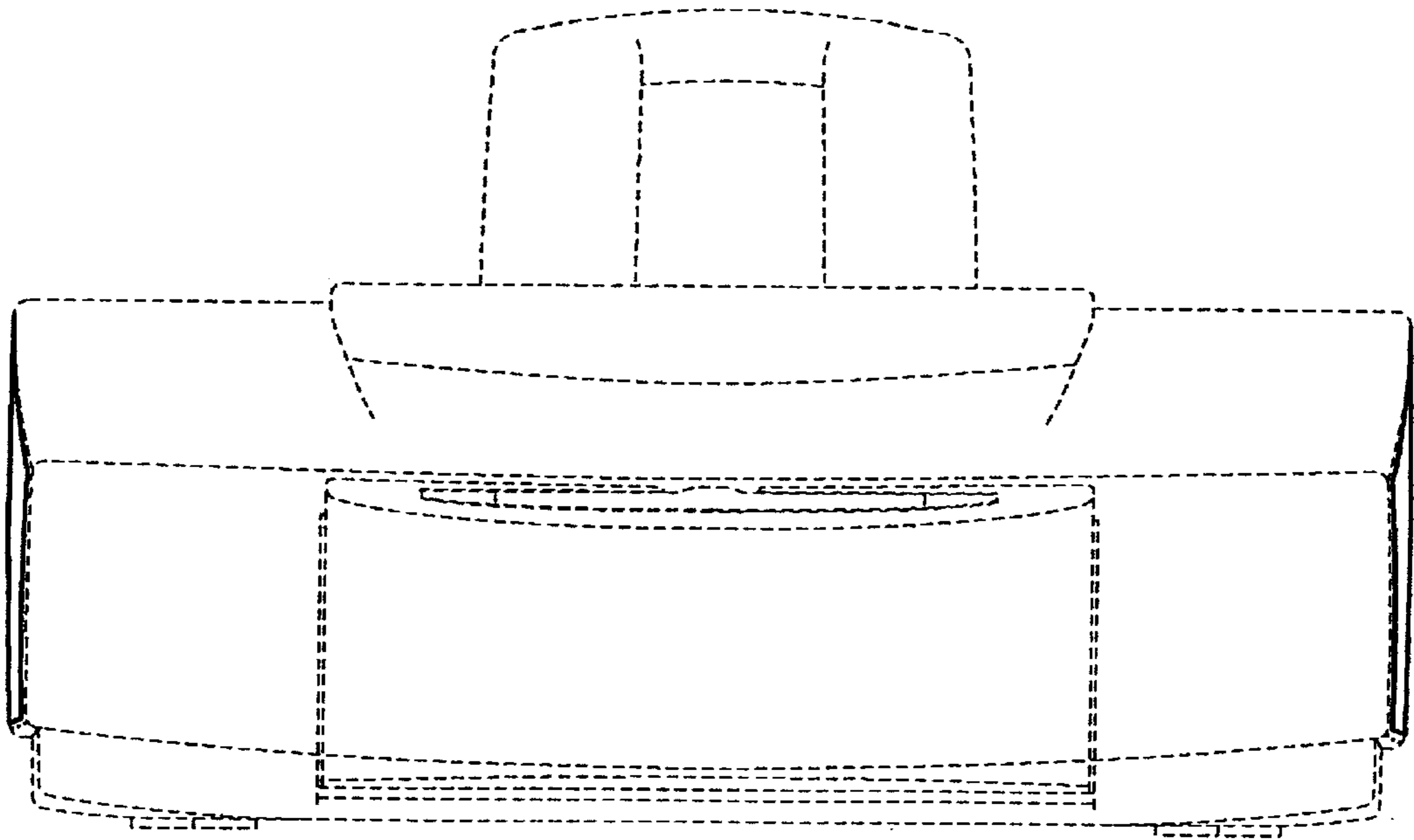


FIG. 2

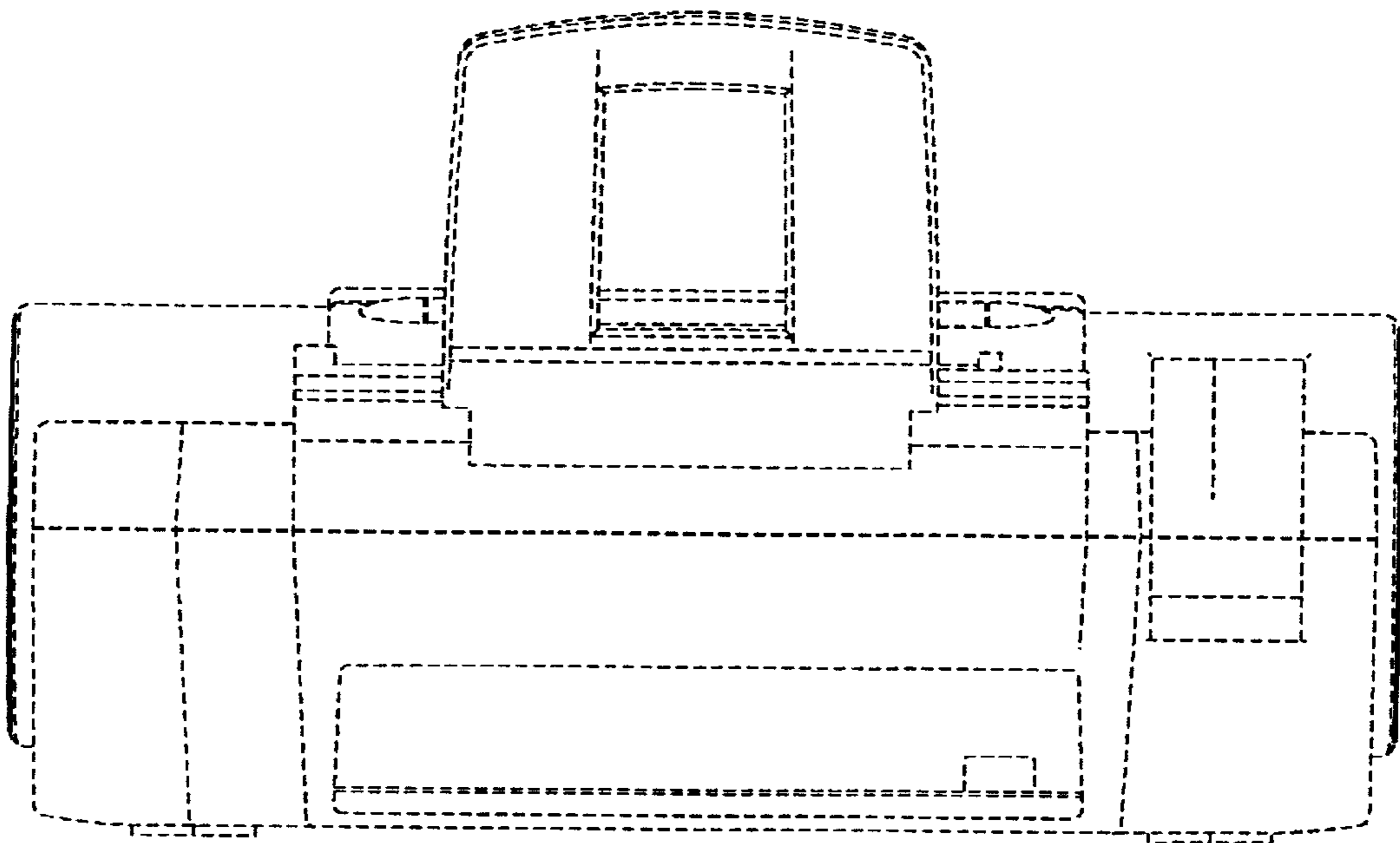


FIG. 3

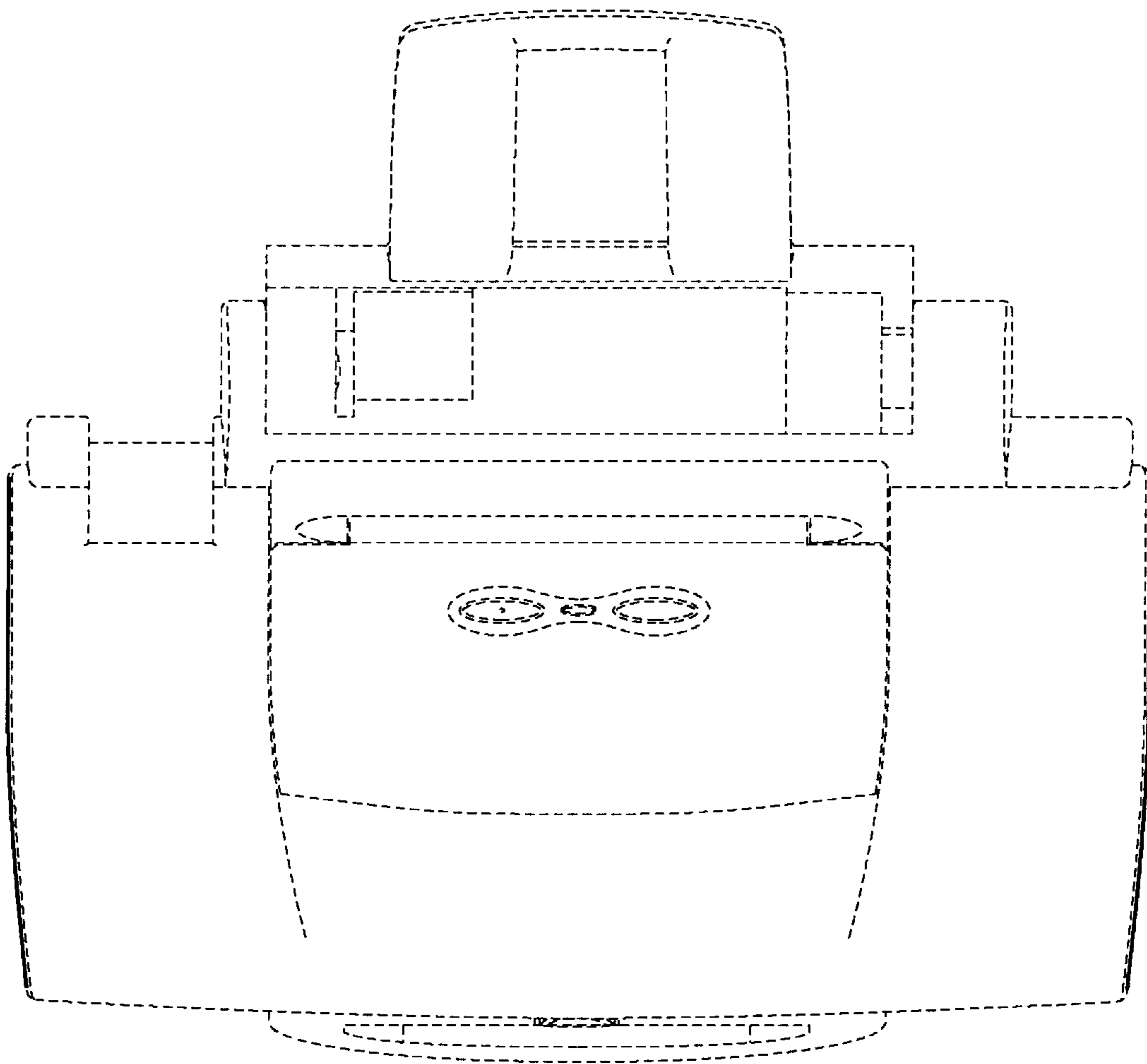


FIG. 4

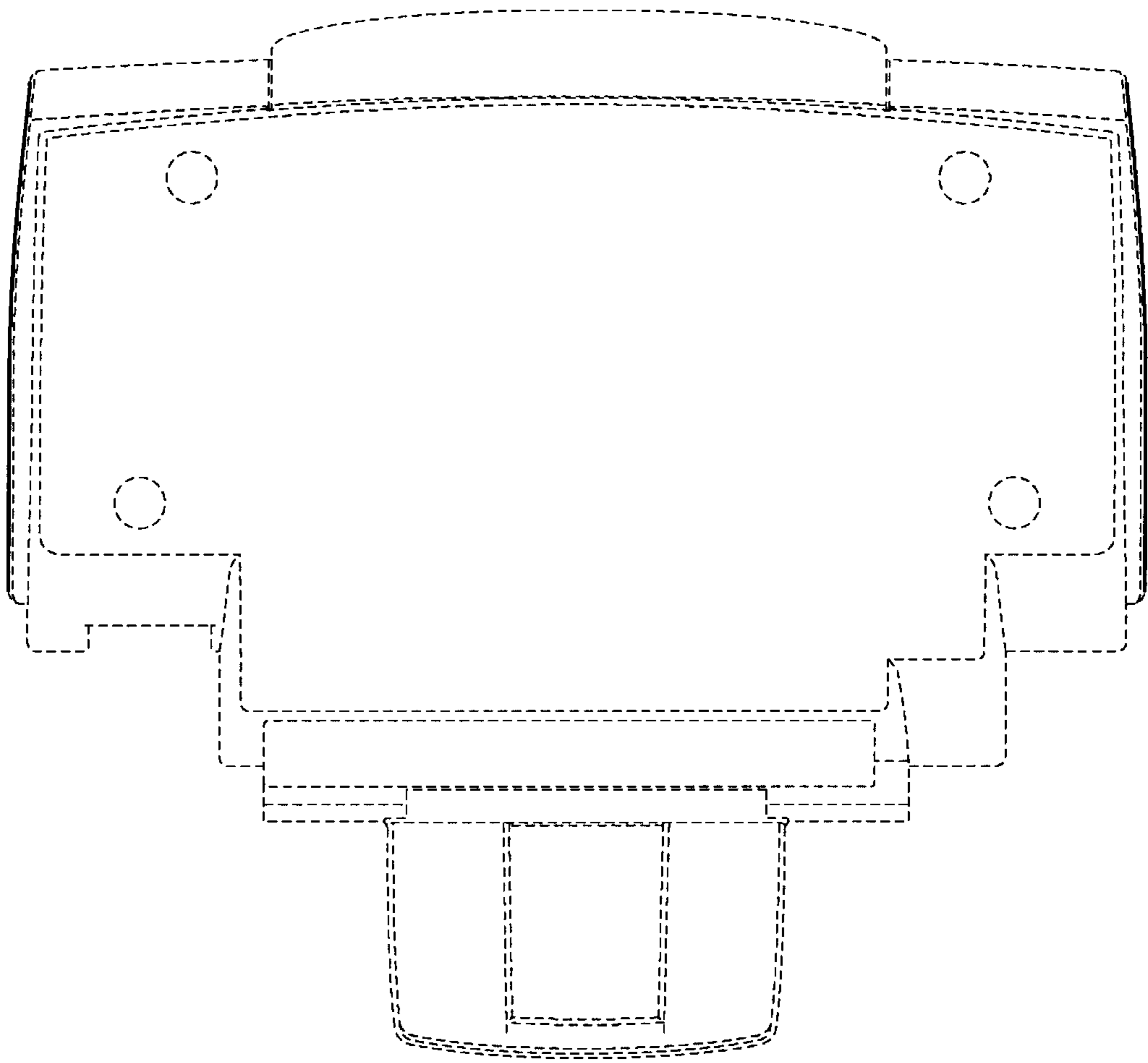


FIG. 5

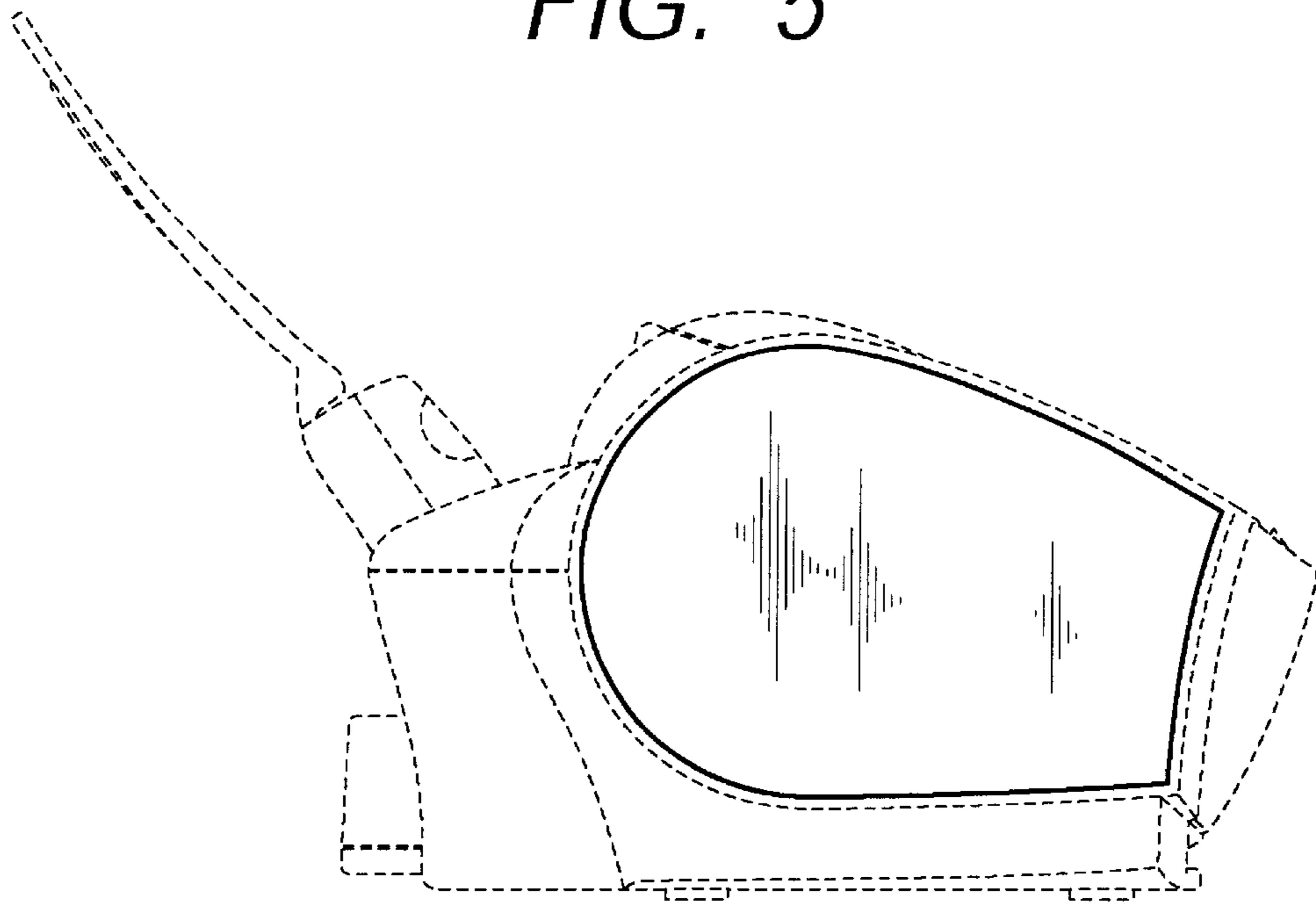


FIG. 6

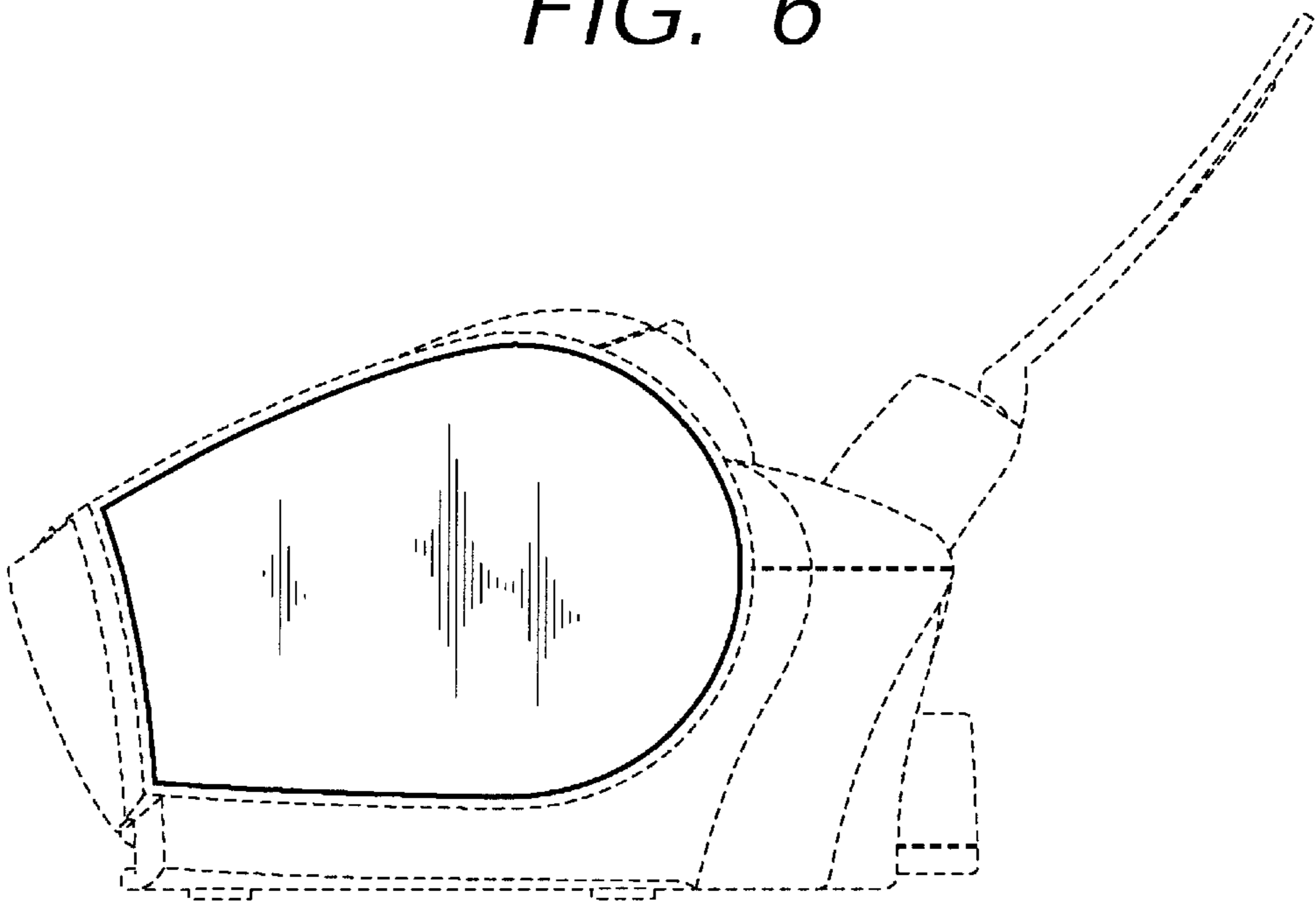


FIG. 7

