



US00D488498S

(12) **United States Design Patent**  
**Miyashita**

(10) **Patent No.:** **US D488,498 S**

(45) **Date of Patent:** **\*\* Apr. 13, 2004**

(54) **CAMERA**

D448,790 S \* 10/2001 Suzuki et al. .... D16/219

(75) Inventor: **Shin Miyashita**, Tokyo (JP)

\* cited by examiner

(73) Assignee: **Sony Corporation**, Tokyo (JP)

*Primary Examiner*—Adir Aronovich  
(74) *Attorney, Agent, or Firm*—Rader, Fishman & Grauer  
PLLC

(\*\*) Term: **14 Years**

(21) Appl. No.: **29/181,114**

(57) **CLAIM**

(22) Filed: **May 6, 2003**

The ornamental design for a camera, as shown and described.

(51) **LOC (7) Cl.** ..... **16-05**

(52) **U.S. Cl.** ..... **D16/219**

(58) **Field of Search** ..... D16/200–206,  
D16/208, 209, 212, 218, 219; 396/349,  
448, 535–541, 176, 177

**DESCRIPTION**

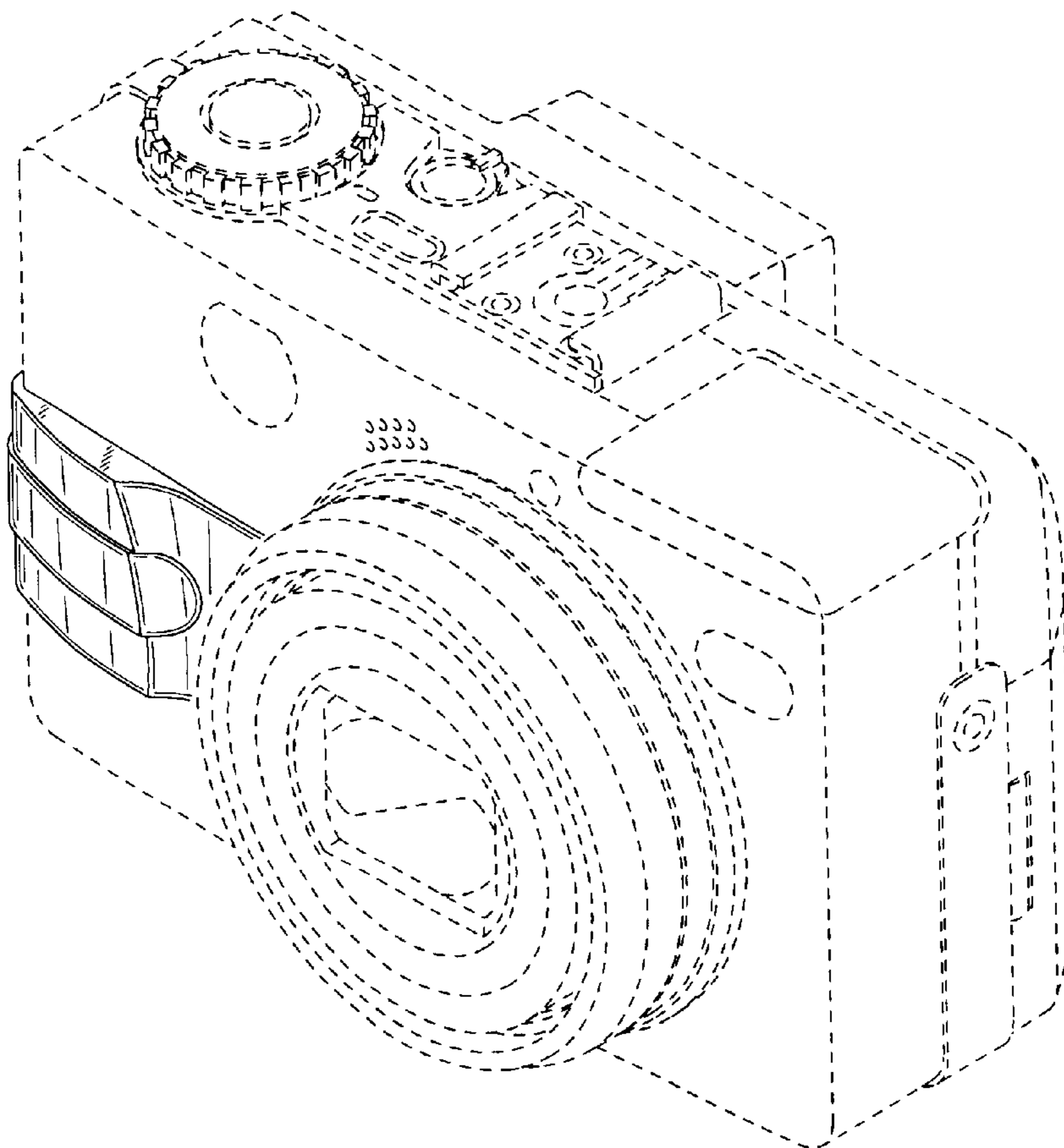
(56) **References Cited**

**U.S. PATENT DOCUMENTS**

- 4,943,822 A \* 7/1990 Braunhut ..... 396/535
- D316,721 S \* 5/1991 Lue et al. .... D16/209
- D367,283 S \* 2/1996 Lyon et al. .... D16/208
- D429,749 S \* 8/2000 Hatakeyama ..... D16/219
- D448,788 S \* 10/2001 Kawai ..... D16/218

FIG. 1 is a perspective view of a camera showing my new design;  
FIG. 2 is a front elevational view thereof;  
FIG. 3 is a rear elevational view thereof;  
FIG. 4 is a left side elevational view thereof;  
FIG. 5 is a right side elevational view thereof;  
FIG. 6 is a top plan view thereof; and,  
FIG. 7 is a bottom plan view thereof.  
Portions in broken lines are for illustrative purposes only and form no part of the claimed design.

**1 Claim, 4 Drawing Sheets**



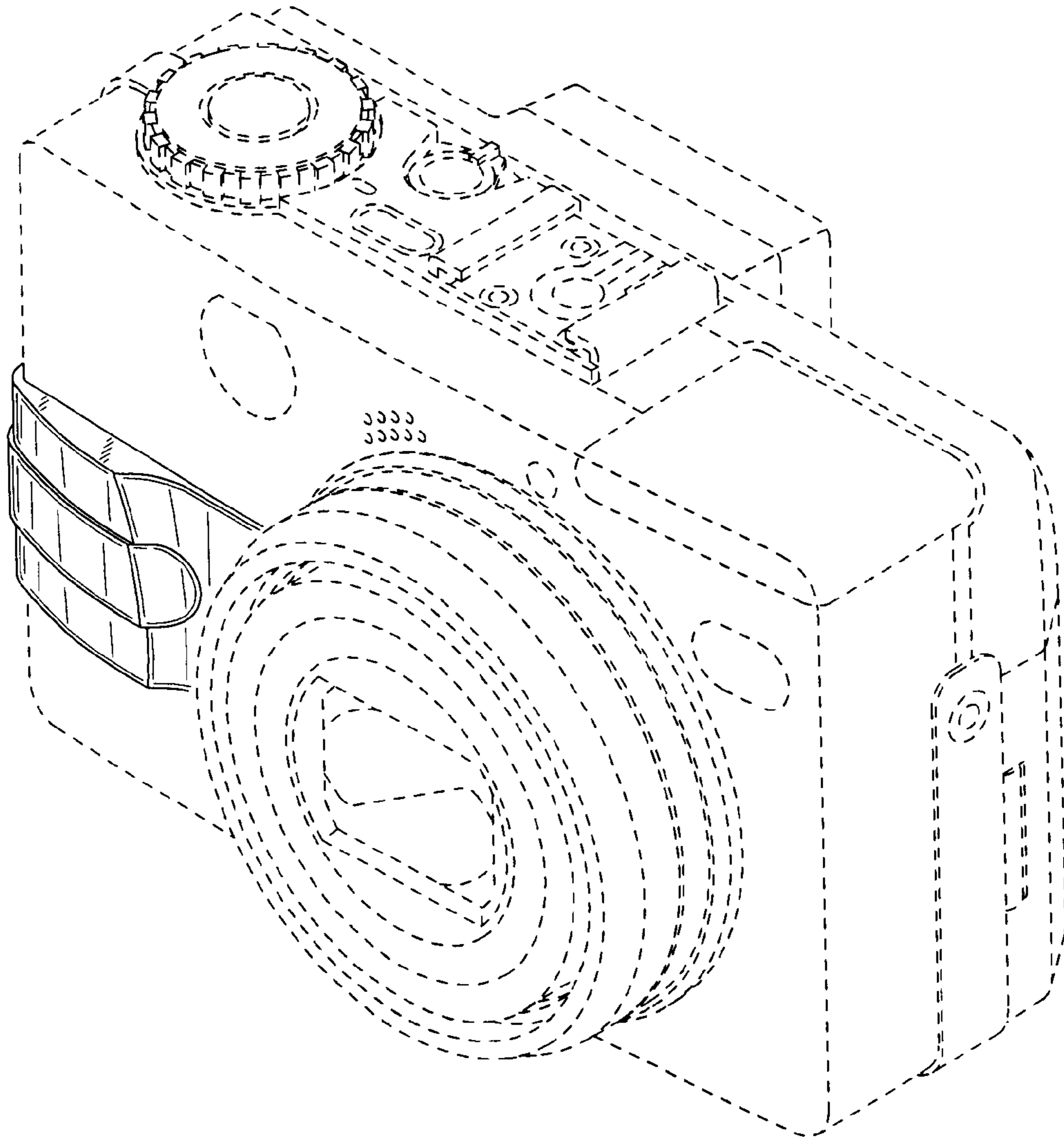


FIG. 1

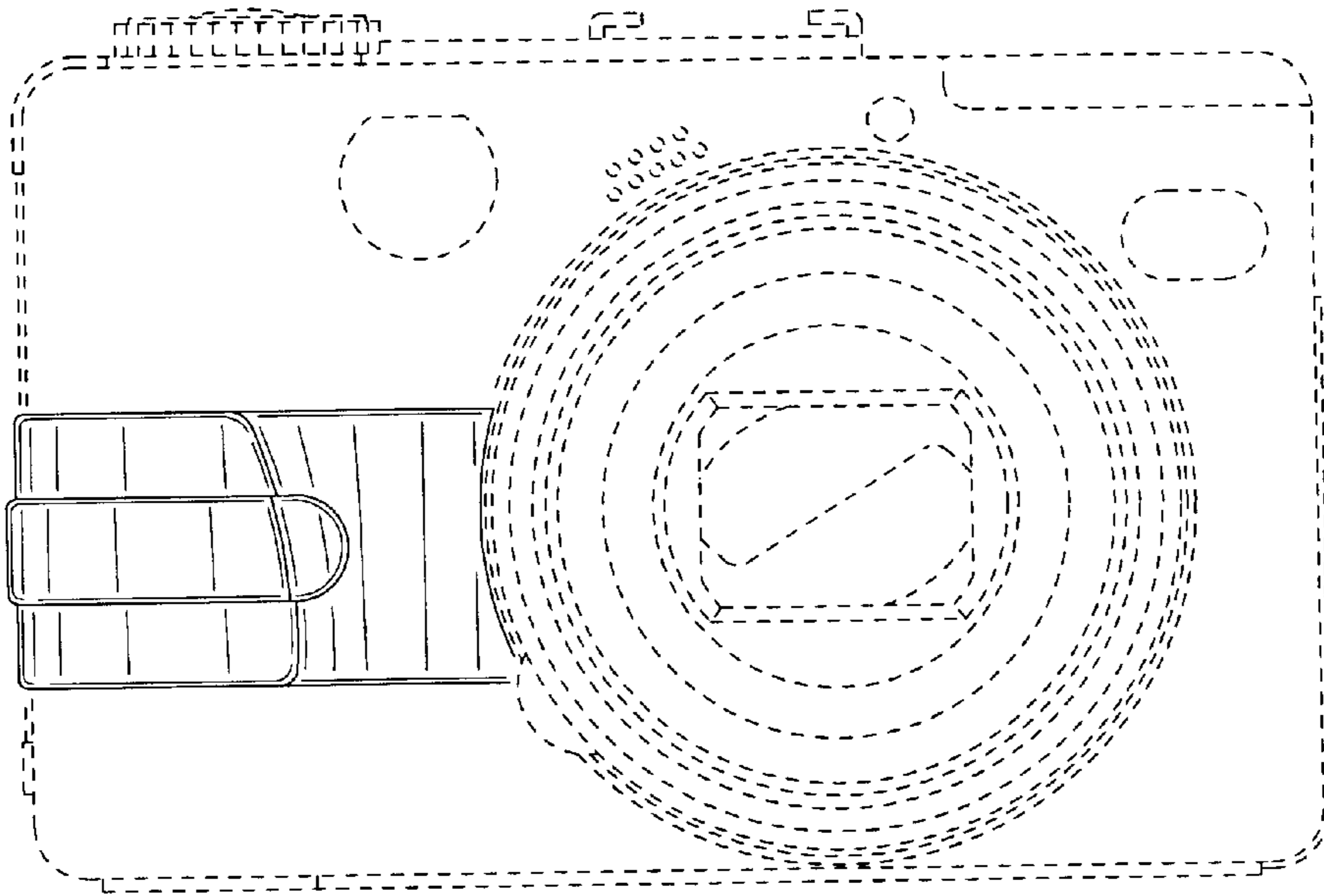


FIG. 2

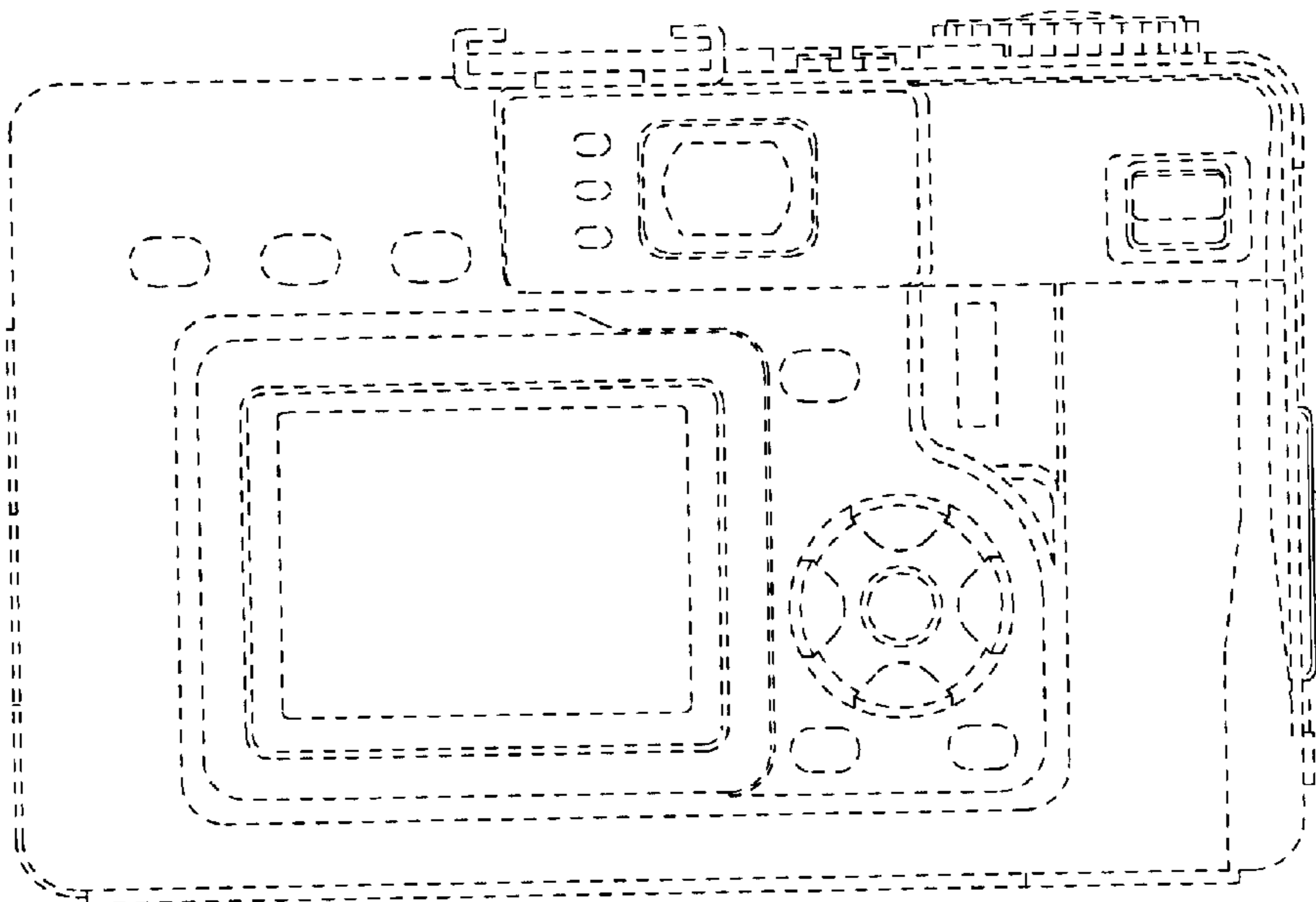


FIG. 3

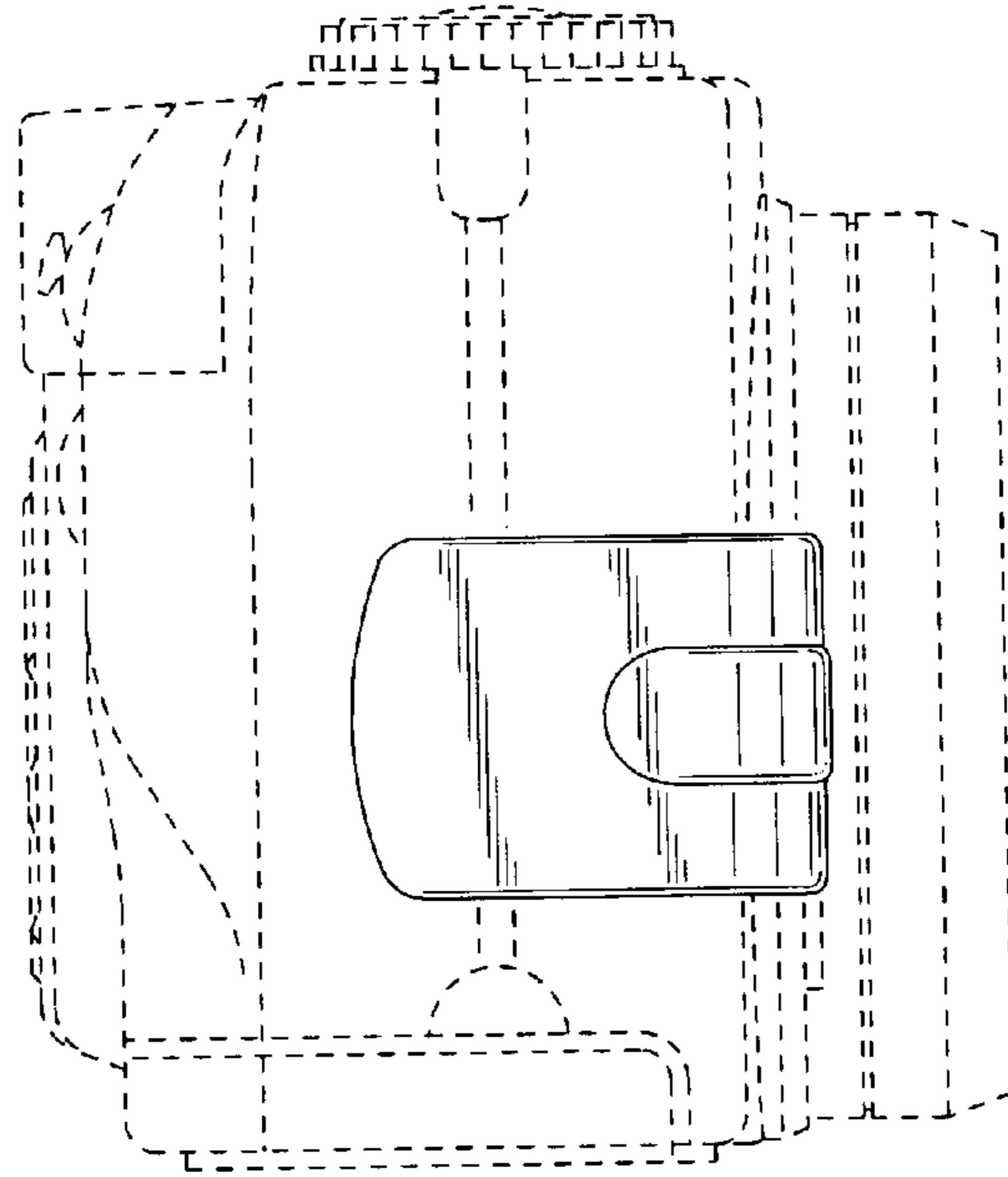


FIG. 4

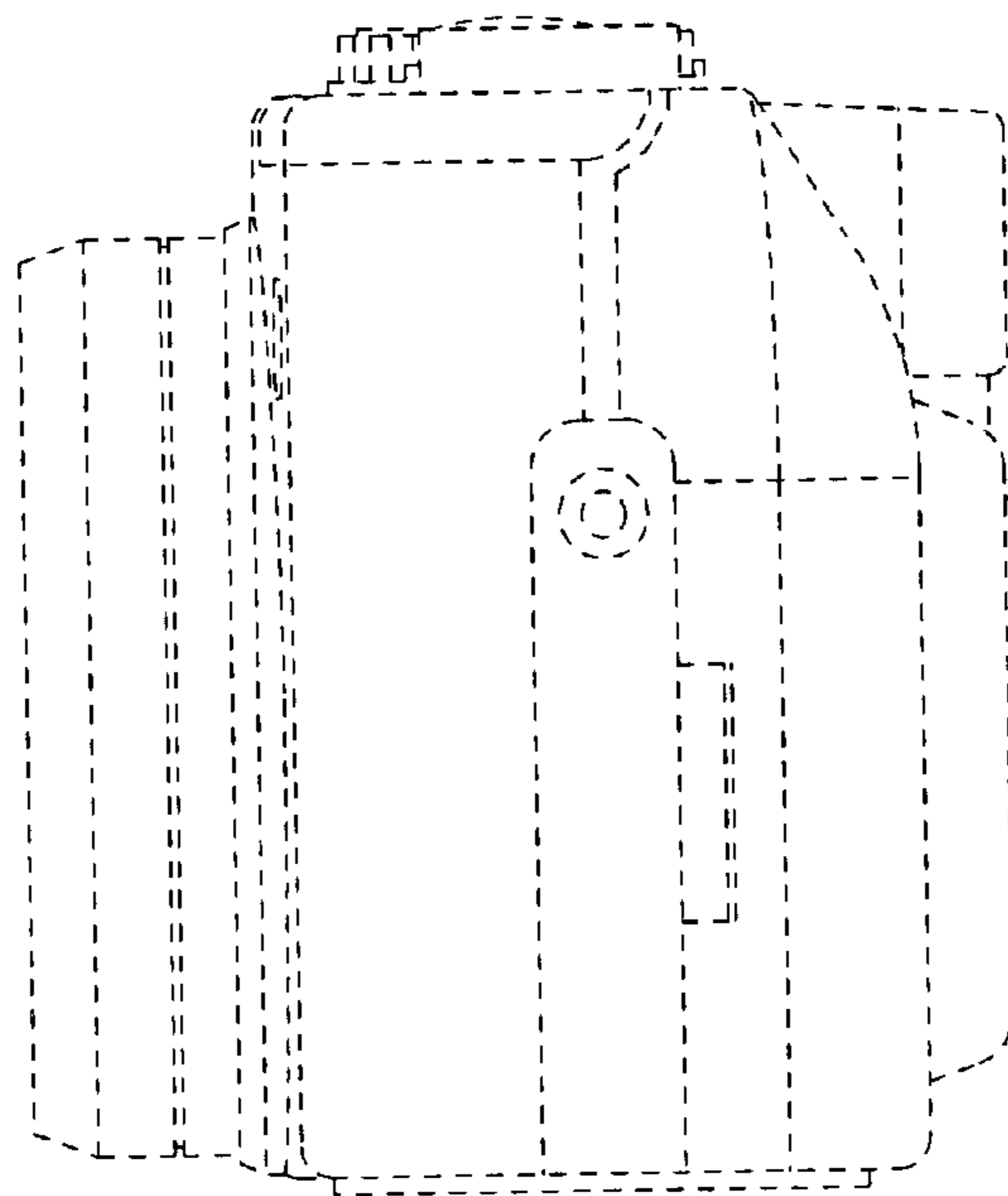


FIG. 5

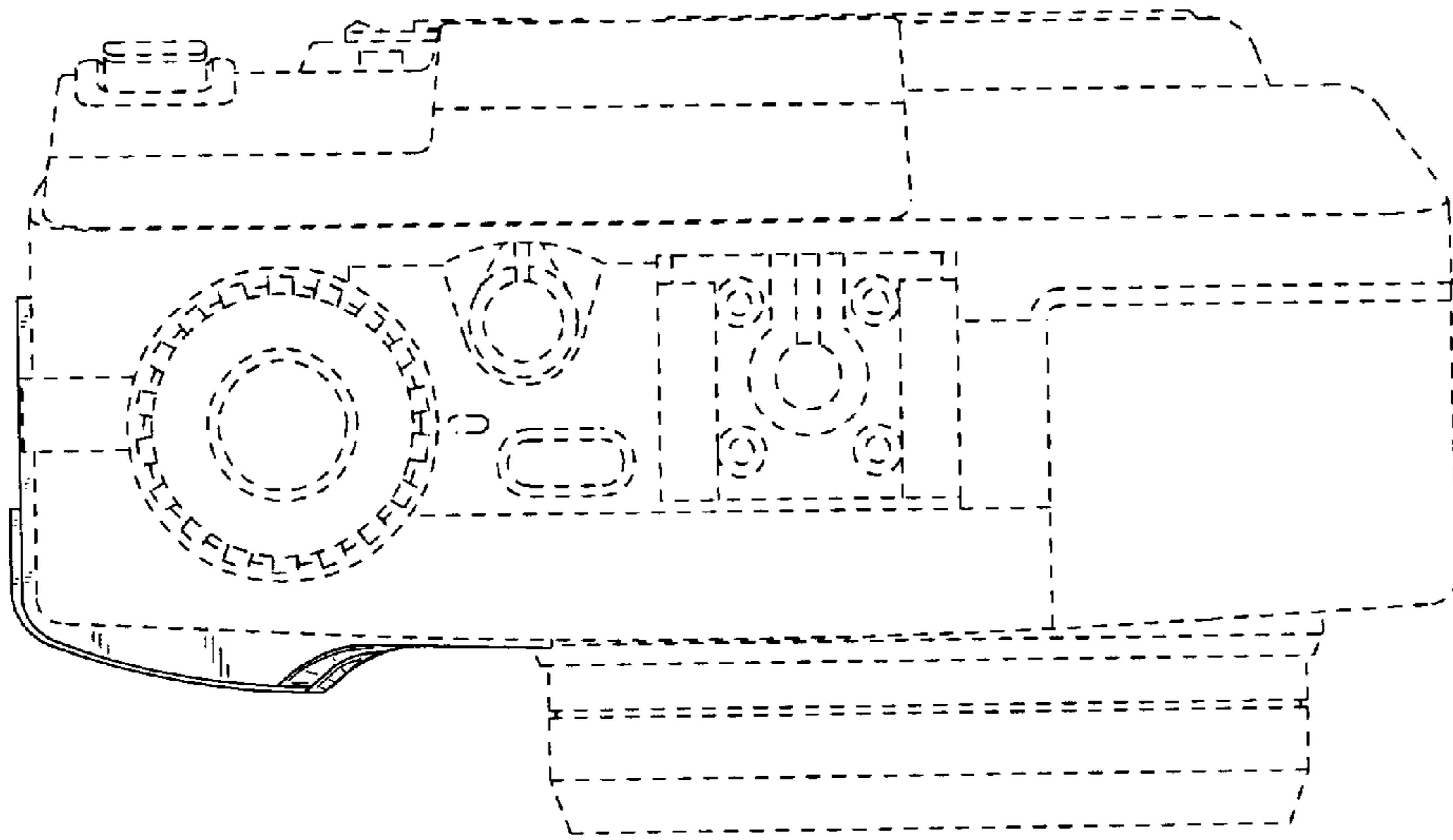


FIG. 6

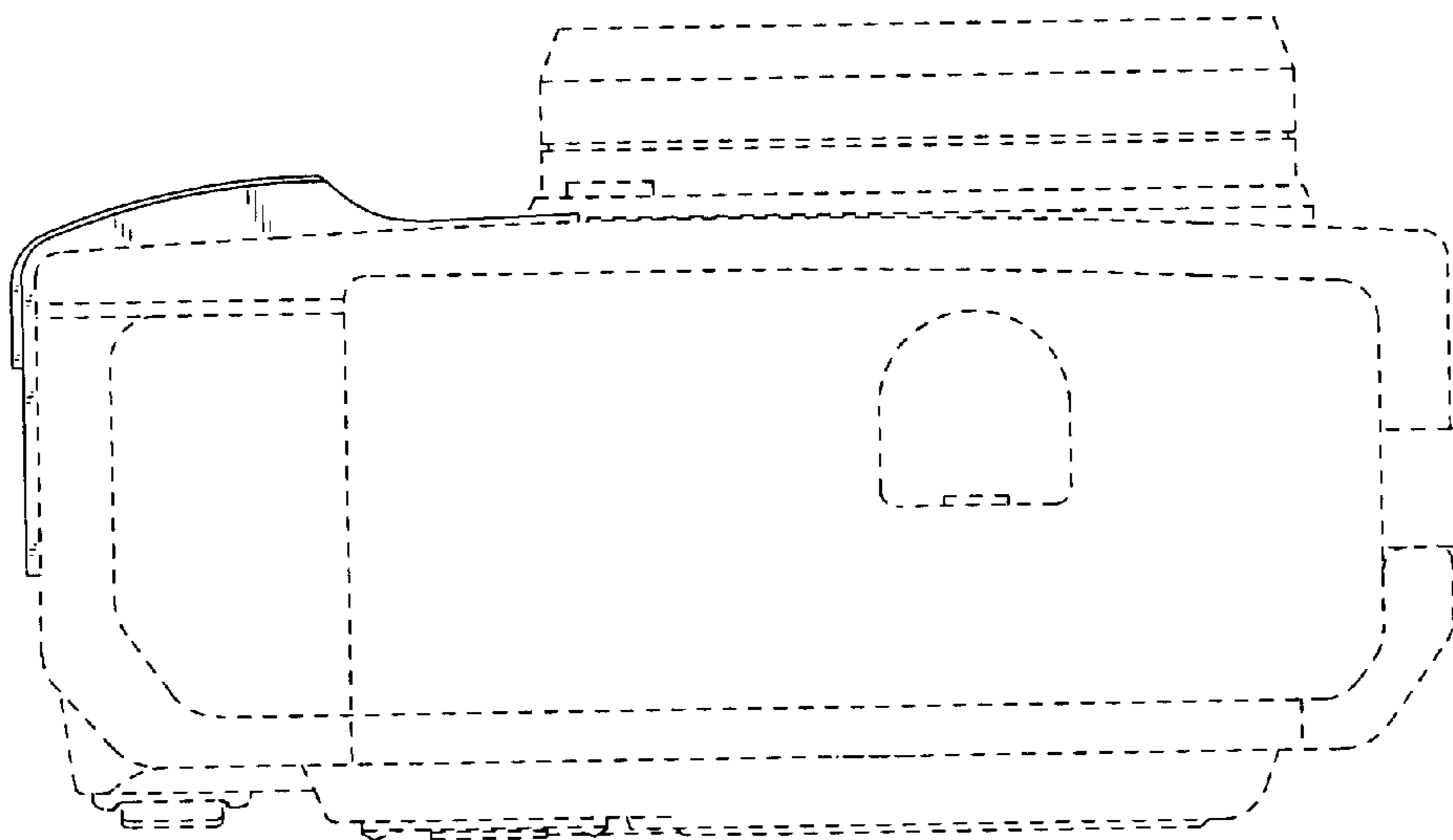


FIG. 7