



US00D488495S

(12) **United States Design Patent**
Shimizu

(10) **Patent No.:** **US D488,495 S**

(45) **Date of Patent:** **** Apr. 13, 2004**

(54) **VIDEO CAMERA**

(75) Inventor: **Minoru Shimizu**, Tokyo (JP)

(73) Assignee: **Sony Corporation**, Tokyo (JP)

(**) Term: **14 Years**

(21) Appl. No.: **29/183,871**

(22) Filed: **Jun. 19, 2003**

(51) **LOC (7) Cl.** **16-01**

(52) **U.S. Cl.** **D16/202**

(58) **Field of Search** D16/200–206,
D16/208, 209, 218; 348/373–376; 358/906,
909.1; 396/535–541

(56) **References Cited**

U.S. PATENT DOCUMENTS

D407,097 S	*	3/1999	Suzuki et al.	D16/202
D426,843 S	*	6/2000	Tanaka	D16/202
D431,582 S	*	10/2000	Sumita et al.	D16/202
D435,575 S		12/2000	Kanatani	D16/202
D446,800 S	*	8/2001	Fukushima et al.	D16/202
D463,467 S		9/2002	Sumita	D16/202
D463,469 S	*	9/2002	Kawase	D16/202

OTHER PUBLICATIONS

Sony Handicam Catalog, Oct. 1997 cover page (Handycam PC10).*

Web page “Sony Drive” <http://www.sony.jp/products/Models/Library/DCR-PC9.html>, 1 sheet, Sony (Feb. 2003).

Web page “Sony Drive” <http://www.sony.jp/products/Models/Library/DCR-PC101K.html>, 1 sheet, Sony (Feb. 2003).

Web page “GR-DVX600K” <http://www.victor.co.jp/dv-main/dvx600k/index.html>, Victor Company of Japan, Limited (Feb. 2003).

Web page “GR-DVP7” <http://www.victor.co.jp/dvmain/dvp7/index.html>, 1 sheet, Victor Company of Japan, Limited (Feb. 2003).

Web page “GR-DX95X/DX35K” <http://www.victor.c.jp/dvmain/gr-dx95k/index.html>, 1 sheet, Victor Company of Japan, Limited (Feb. 2003).

* cited by examiner

Primary Examiner—Adir Aronovich
(74) *Attorney, Agent, or Firm*—Rader, Fishman & Grauer PLLC

(57) **CLAIM**

The ornamental design for a video camera, as shown.

DESCRIPTION

FIG. 1 is a perspective view of a video camera showing my new design;

FIG. 2 is a front elevational view thereof;

FIG. 3 is a rear elevational view thereof;

FIG. 4 is a left side elevational view thereof;

FIG. 5 is a right side elevational view thereof;

FIG. 6 is a top plan view thereof; and,

FIG. 7 is a bottom plan view thereof.

1 Claim, 4 Drawing Sheets

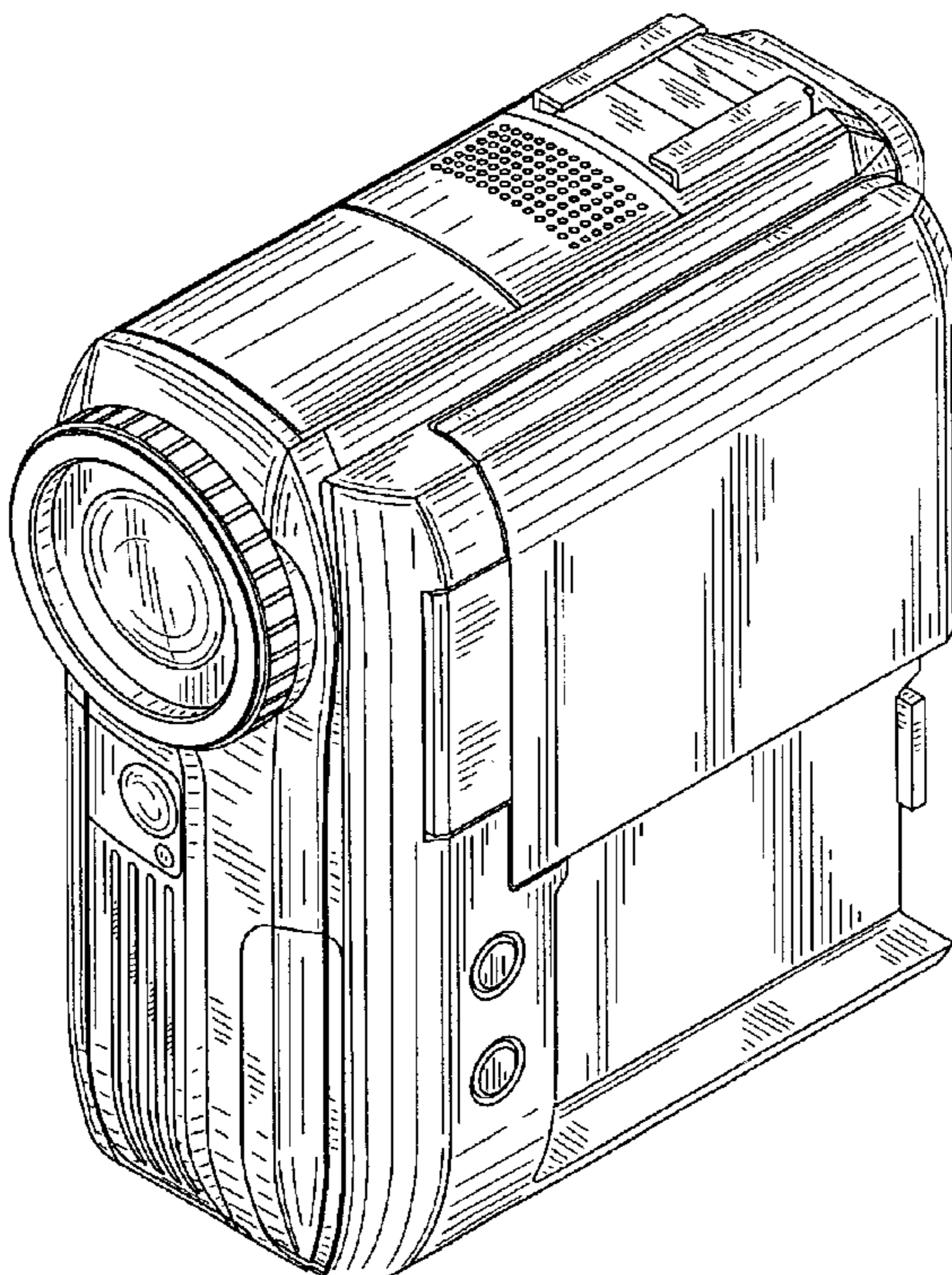


FIG. 1

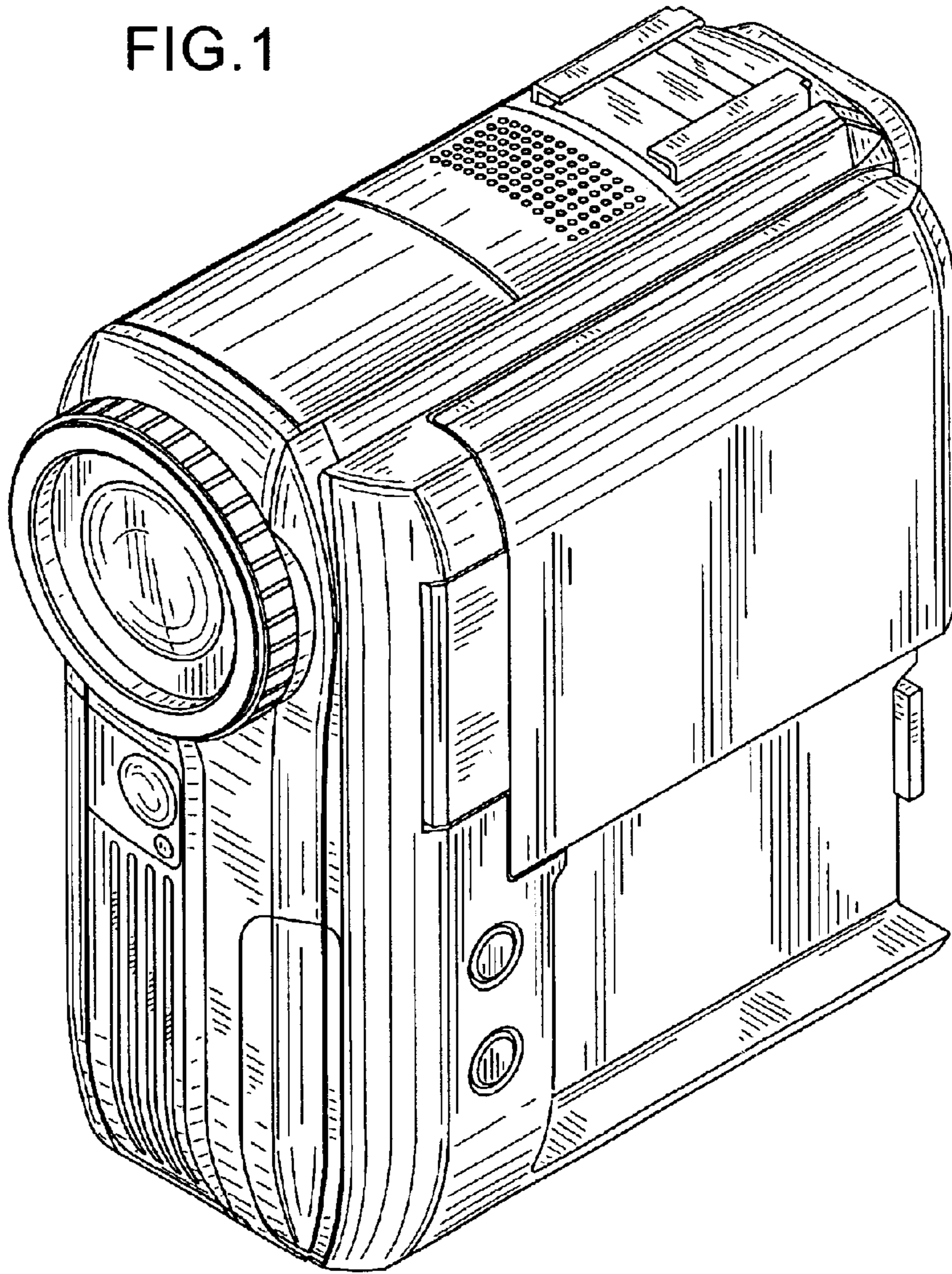


FIG.3

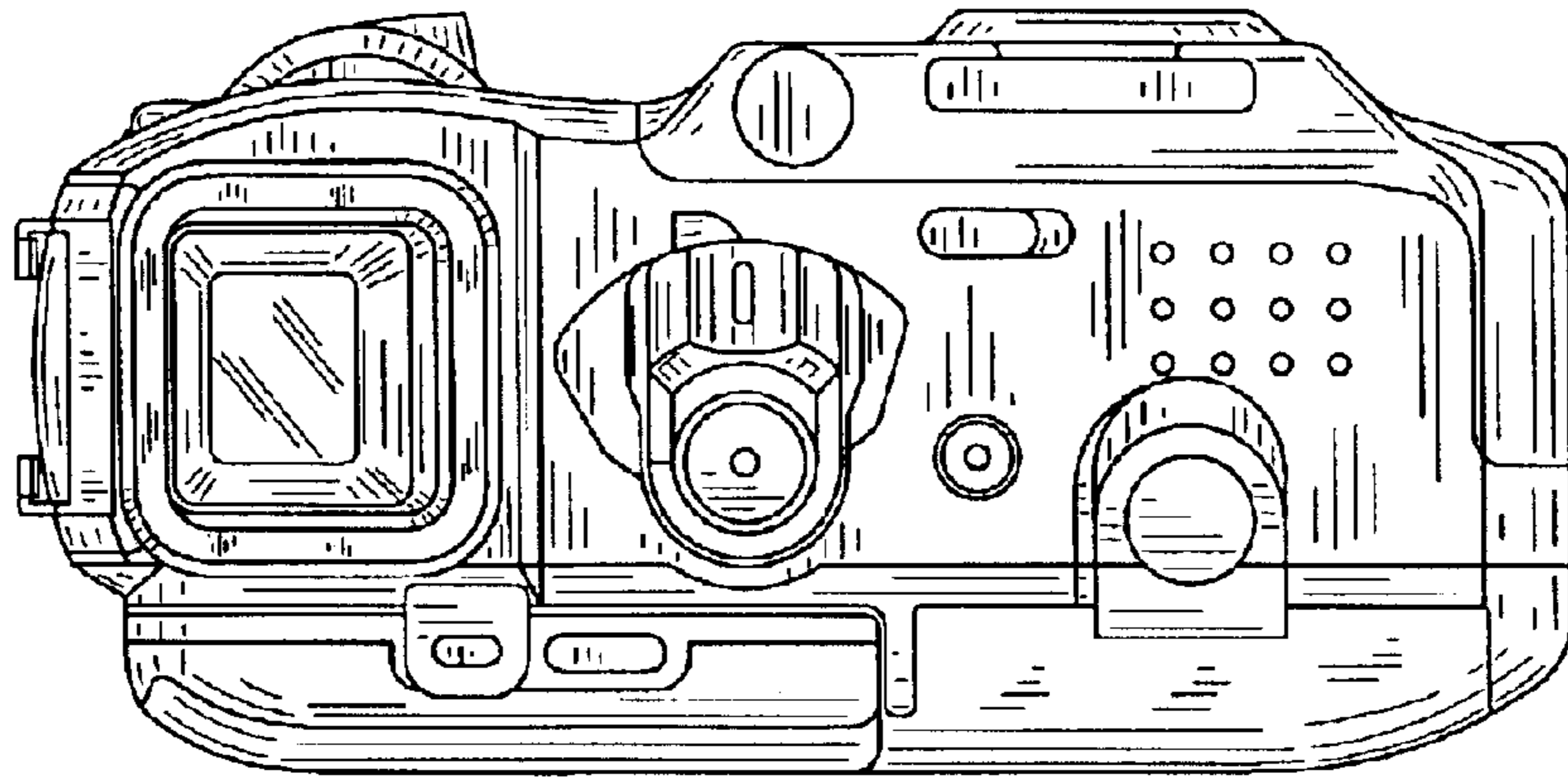


FIG.2

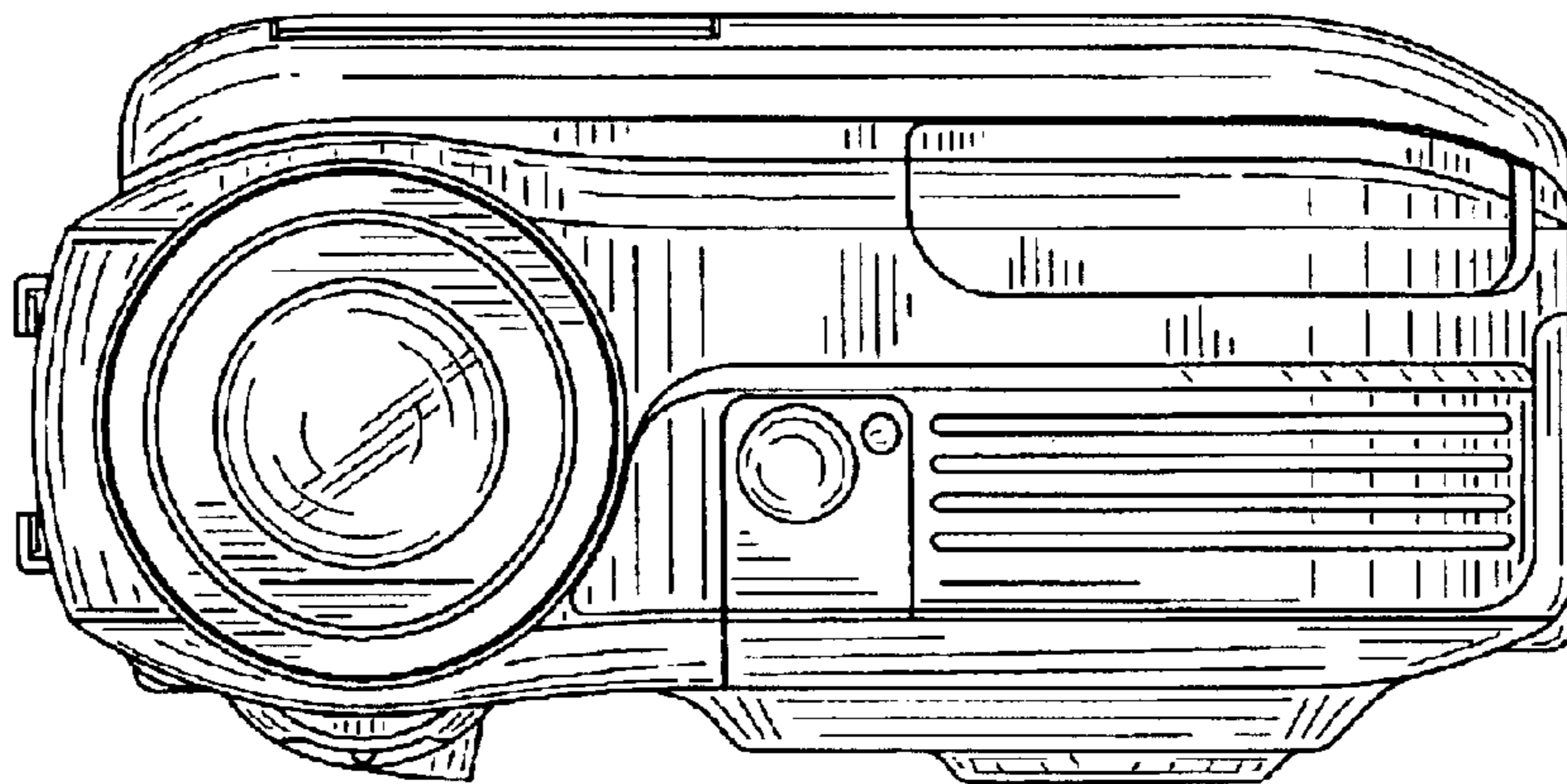


FIG.5

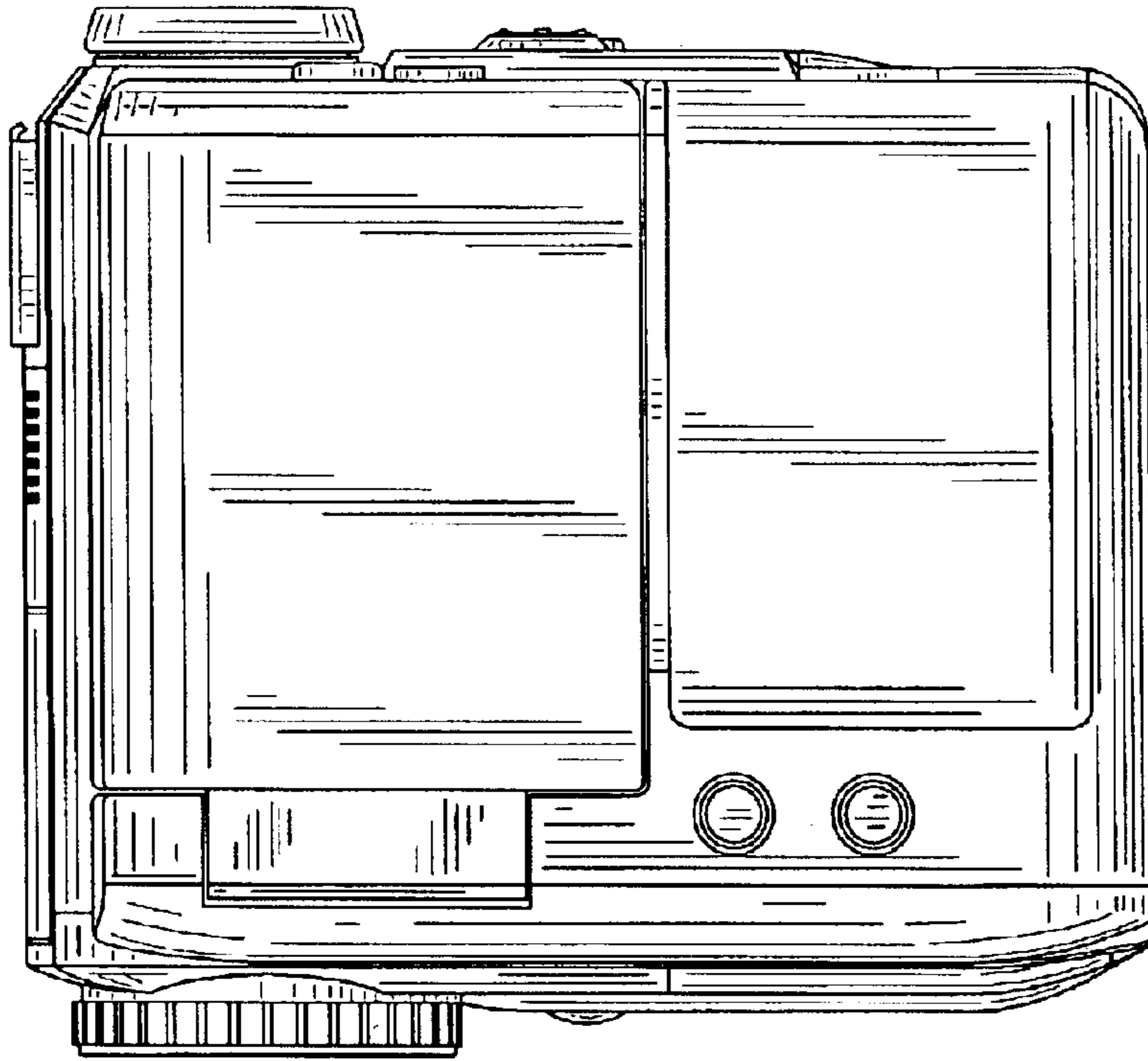


FIG.4

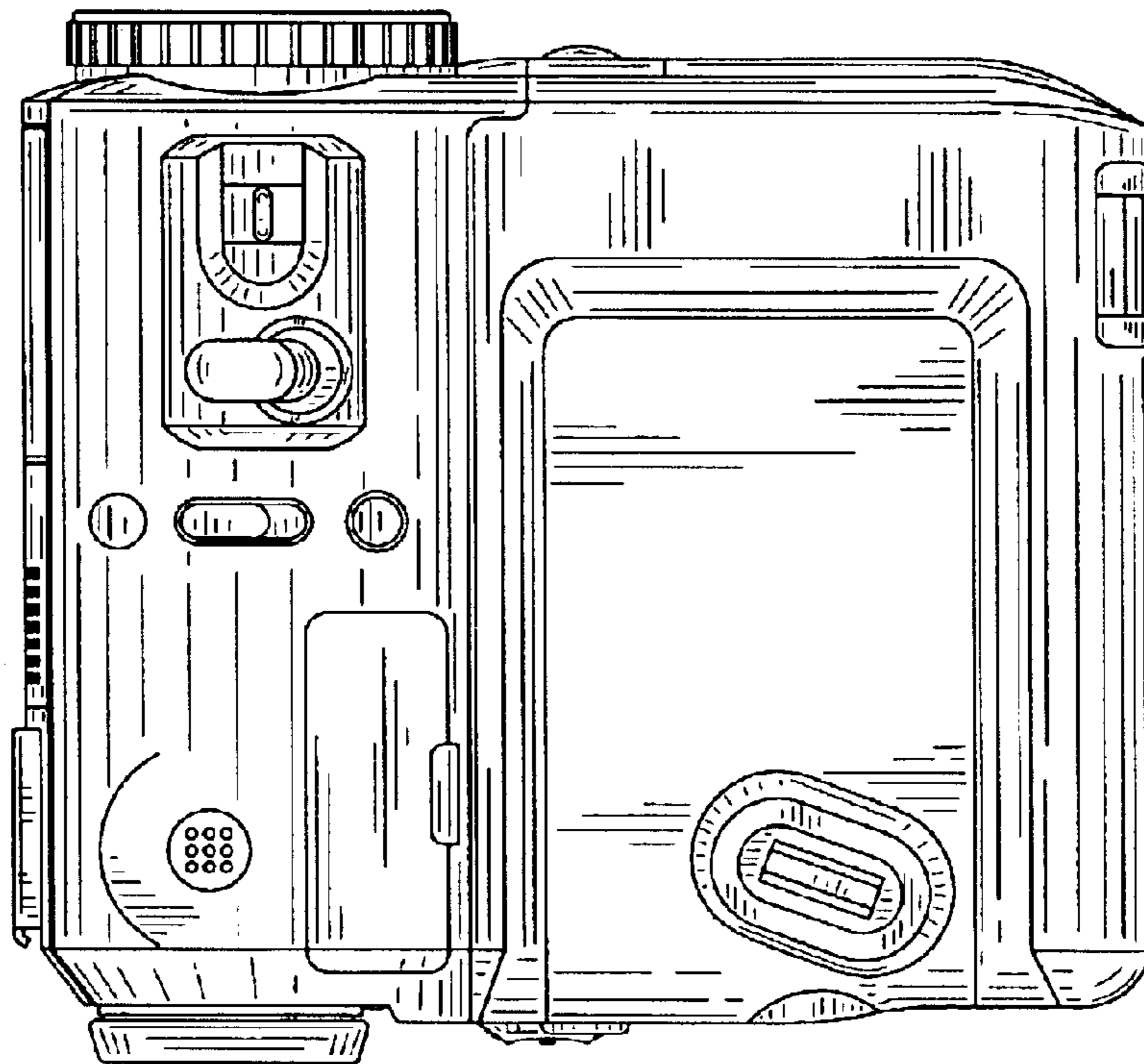


FIG. 7

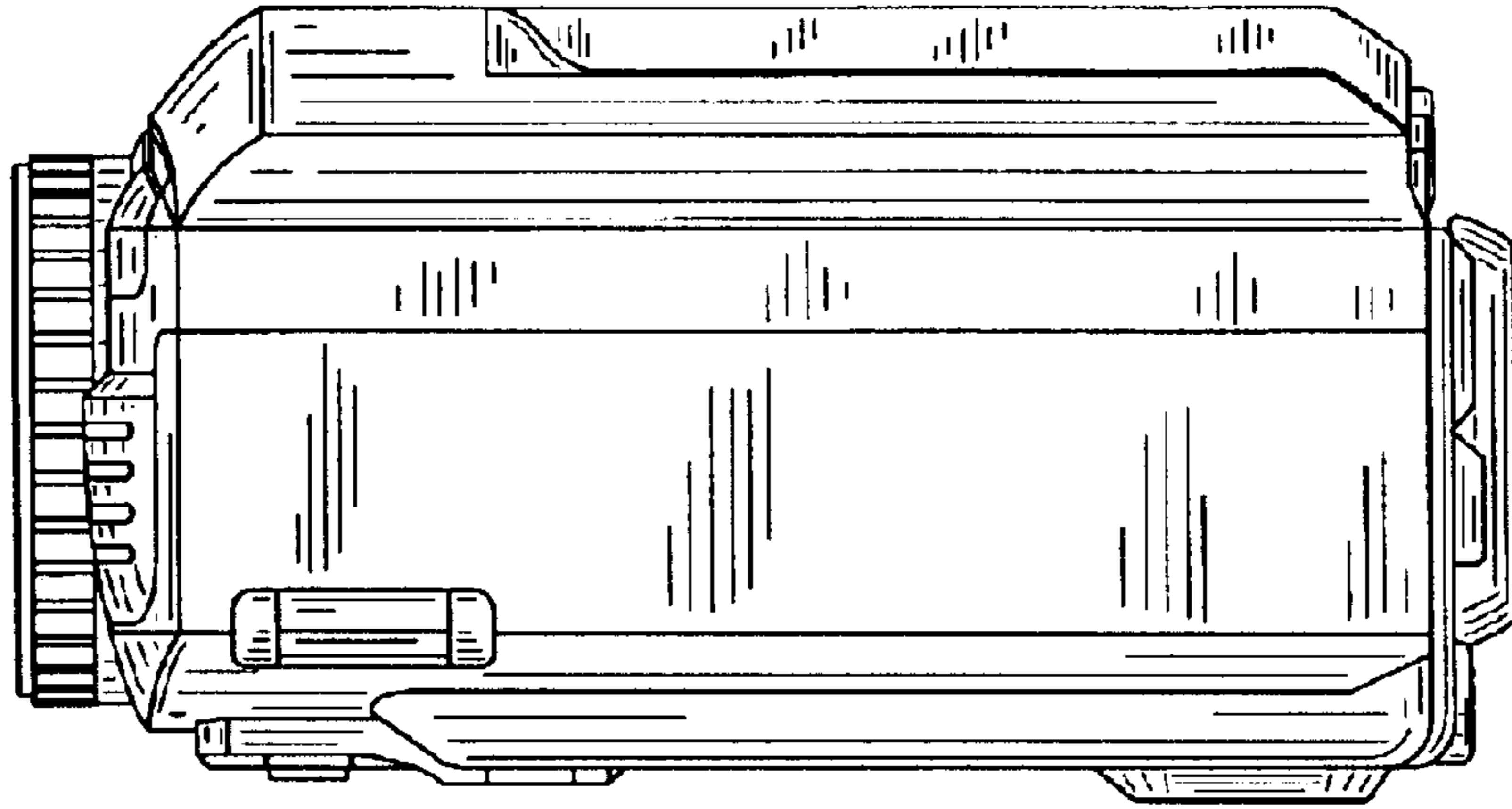


FIG. 6

