



US00D488493S

(12) **United States Design Patent**  
**Stachowski et al.**

(10) **Patent No.:** **US D488,493 S**

(45) **Date of Patent:** **\*\* Apr. 13, 2004**

(54) **GOLF SCORE PAD PLATFORM WITH COLLAPSIBLE/ADJUSTABLE FRESNEL LENS MAGNIFIER**

6,023,377 A 2/2000 Slager  
6,116,562 A 9/2000 Griffin  
6,476,984 B1 \* 11/2002 Ringdahl ..... 359/603  
6,621,646 B2 \* 9/2003 Jung ..... 359/802

(76) Inventors: **Joerg Stachowski**, 28425 N. 61st St., Cave Creek, AZ (US) 85331; **Linda M. Dunn**, 8724 McCarty Ranch Dr., San Jose, CA (US) 95135

\* cited by examiner

*Primary Examiner*—Paula A. Mortimer  
(74) *Attorney, Agent, or Firm*—Donald R. Schoonover

(\*\*) Term: **14 Years**

(57) **CLAIM**

(21) Appl. No.: **29/180,610**

We claim the ornamental design for a golf score pad platform with collapsible/adjustable fresnel lens magnifier, as shown and described.

(22) Filed: **Apr. 28, 2003**

(51) **LOC (7) Cl.** ..... **16-06**

(52) **U.S. Cl.** ..... **D16/135**

(58) **Field of Search** ..... D16/130, 135; 359/802, 803, 804, 807, 811, 822, 742, 441; 206/37; 132/289; D28/64.1

**DESCRIPTION**

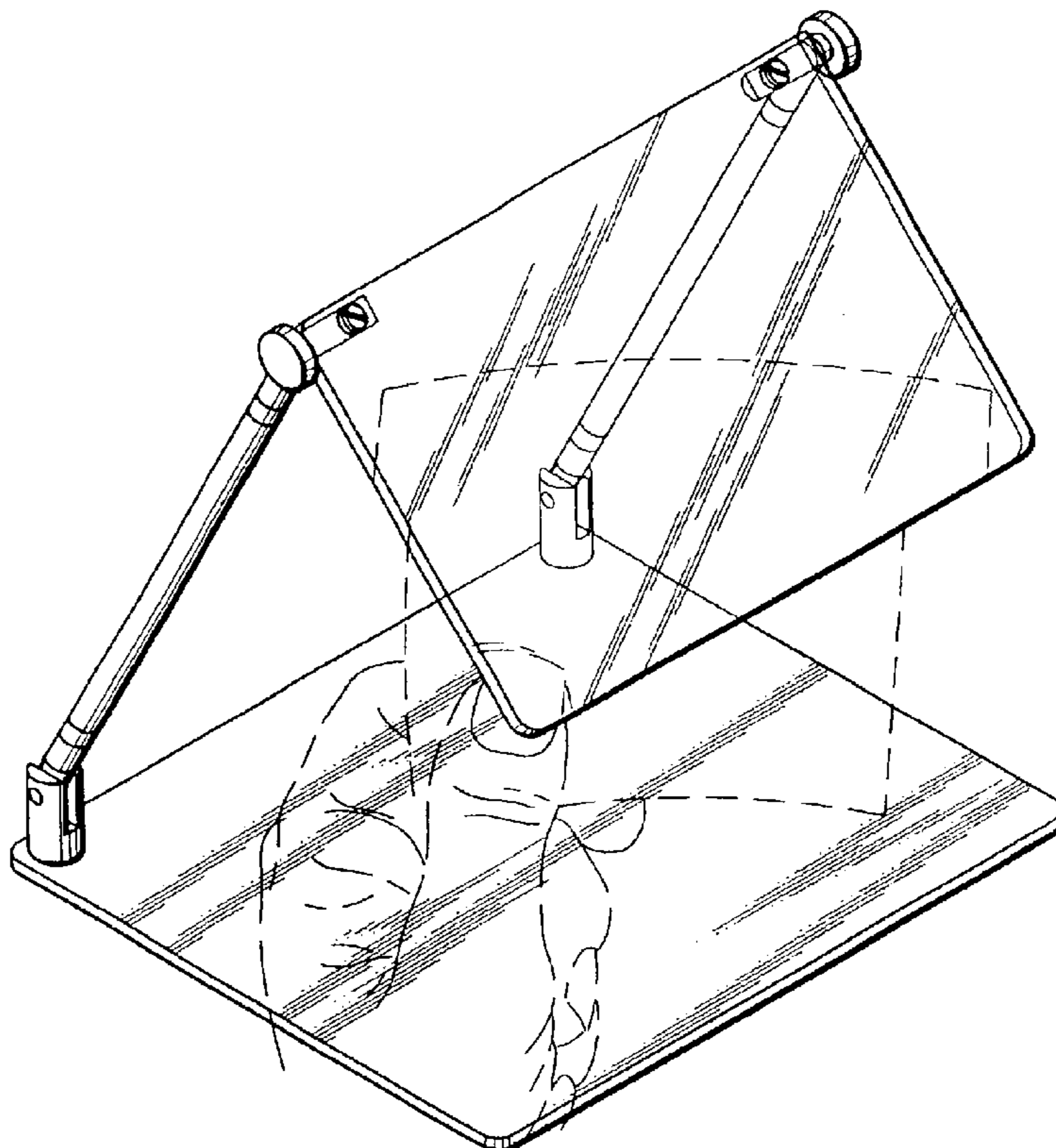
(56) **References Cited**

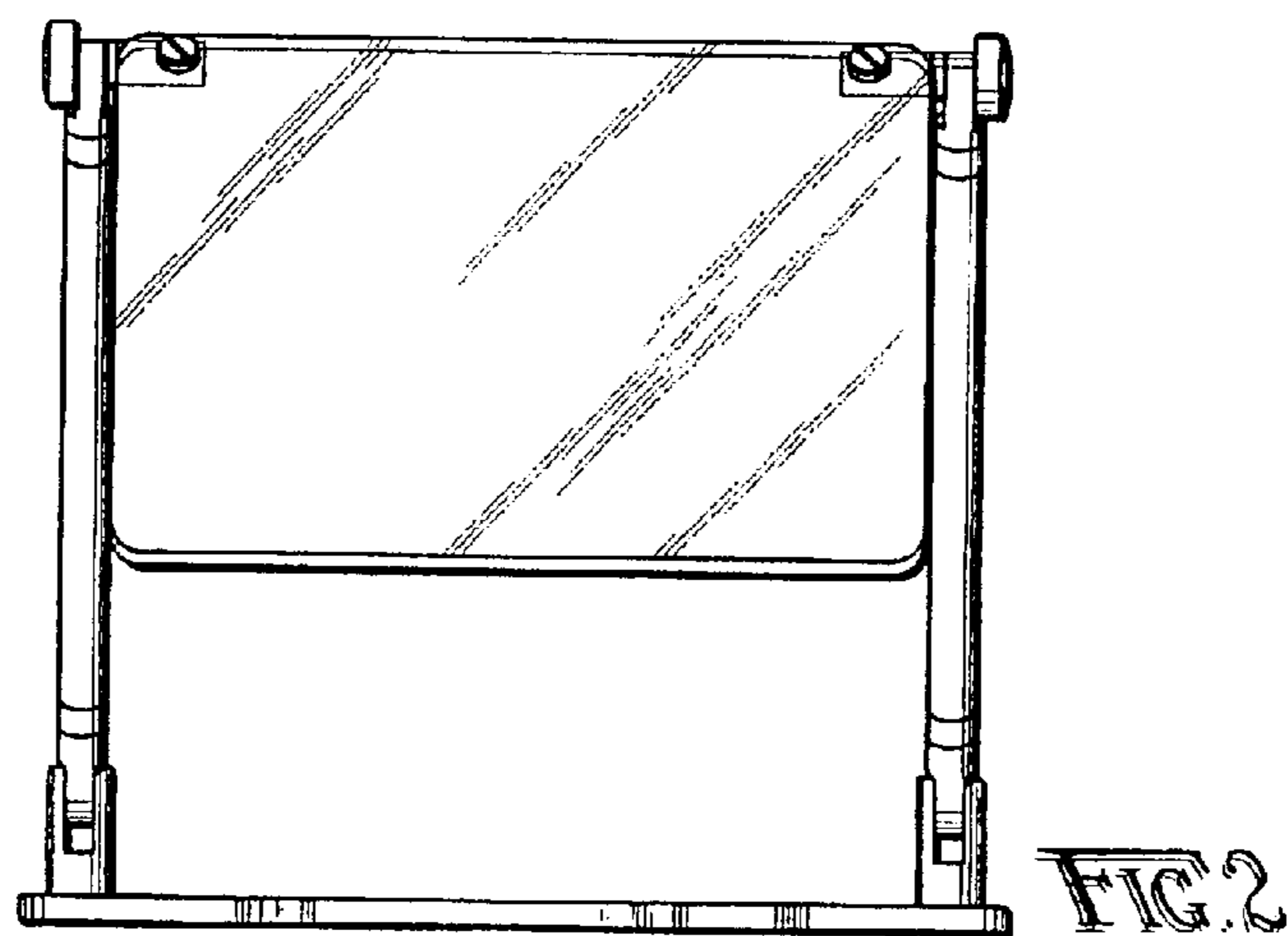
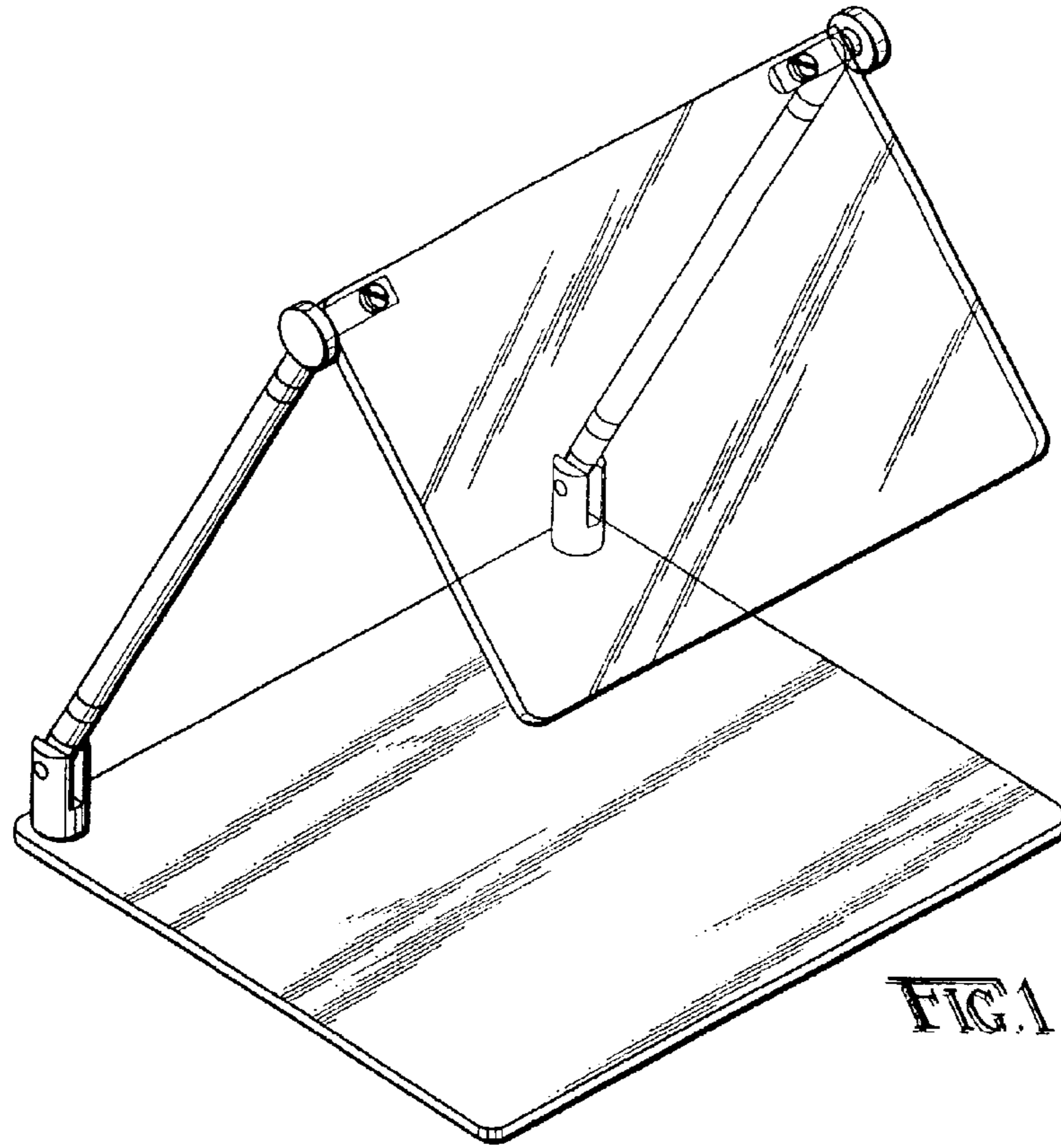
**U.S. PATENT DOCUMENTS**

632,026 A 8/1899 Smith  
1,395,999 A 11/1921 Seese  
3,409,347 A 11/1968 Vogel  
4,457,585 A 7/1984 DuCorday  
5,113,327 A 5/1992 Levy  
5,307,209 A \* 4/1994 Iaquinto et al. .... 359/811  
5,572,371 A 11/1996 Woolf  
5,610,770 A \* 3/1997 Galiani ..... 359/807

FIG. 1 is a perspective view of a golf score pad platform with collapsible/adjustable fresnel lens magnifier showing our new design;  
FIG. 2 is a front elevational view thereof;  
FIG. 3 is a top plan view thereof;  
FIG. 4 is a right side elevational view thereof, the left side elevational view being a mirror image thereof;  
FIG. 5 is a rear elevational view thereof; and,  
FIG. 6 is a perspective view showing the golf score pad platform with collapsible/adjustable fresnel lens magnifier in use; the broken lines depict environmental structure for illustrative purposes only and form no part of the claimed design.

**1 Claim, 4 Drawing Sheets**





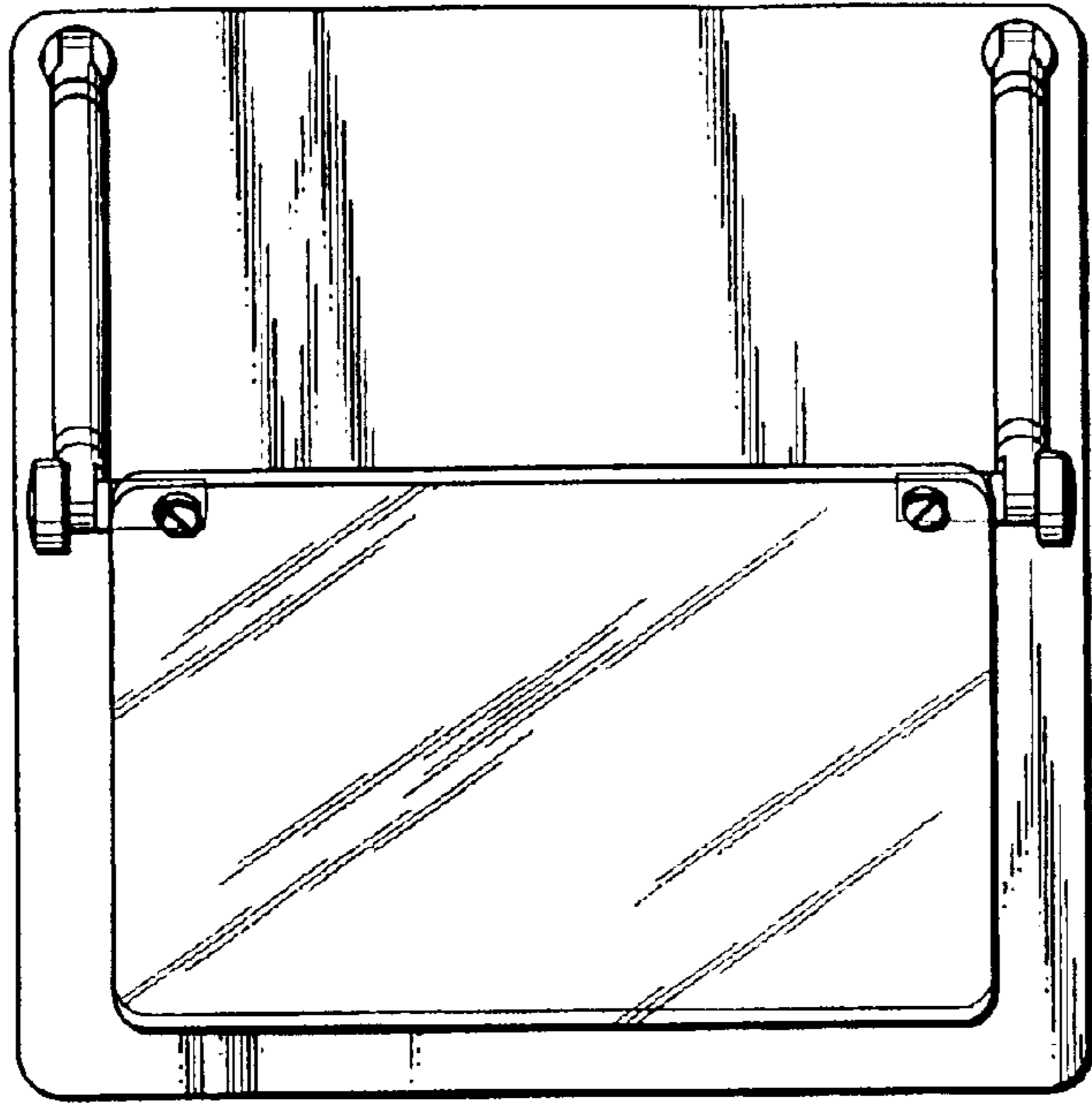


FIG. 3

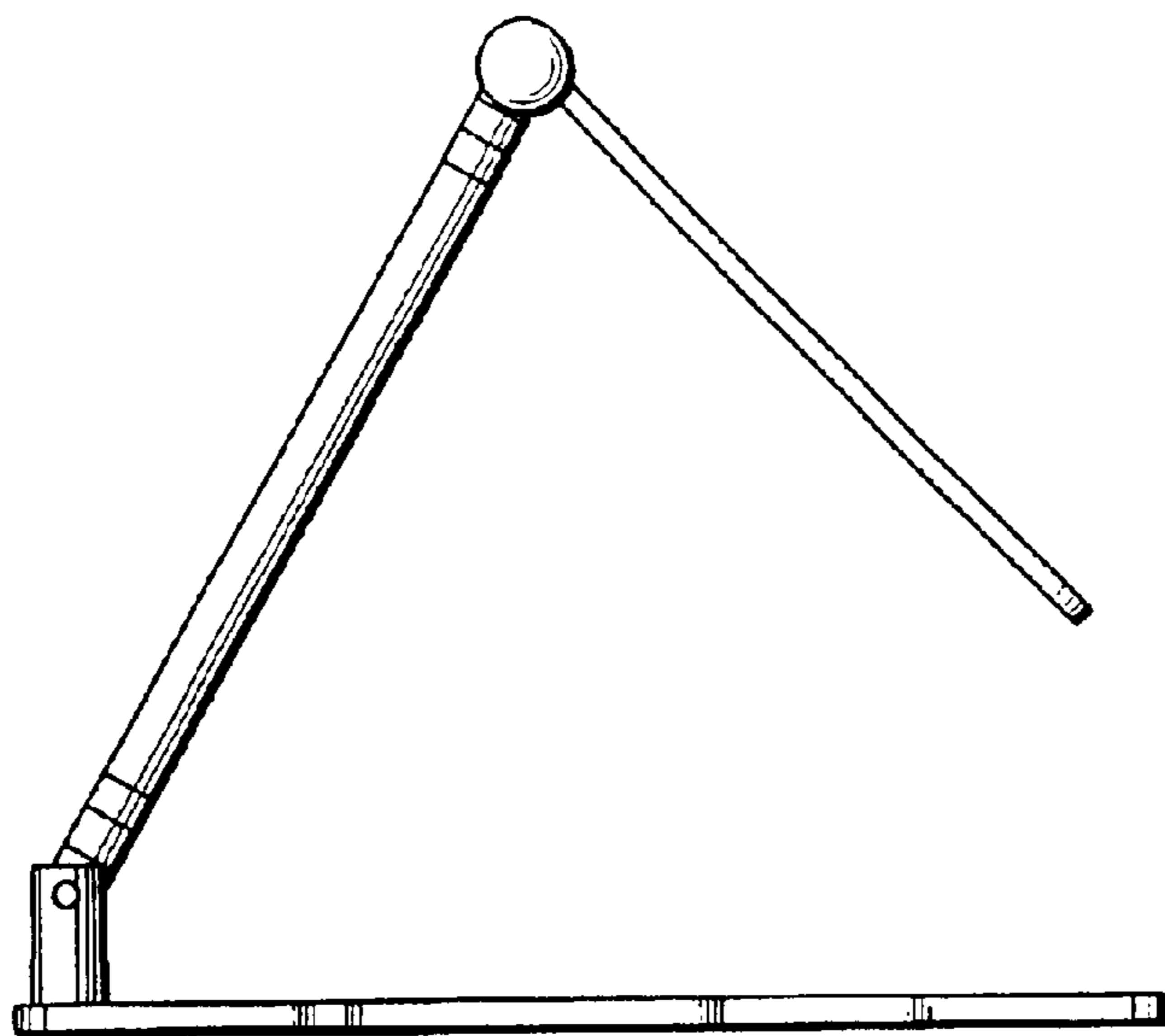


FIG. 4

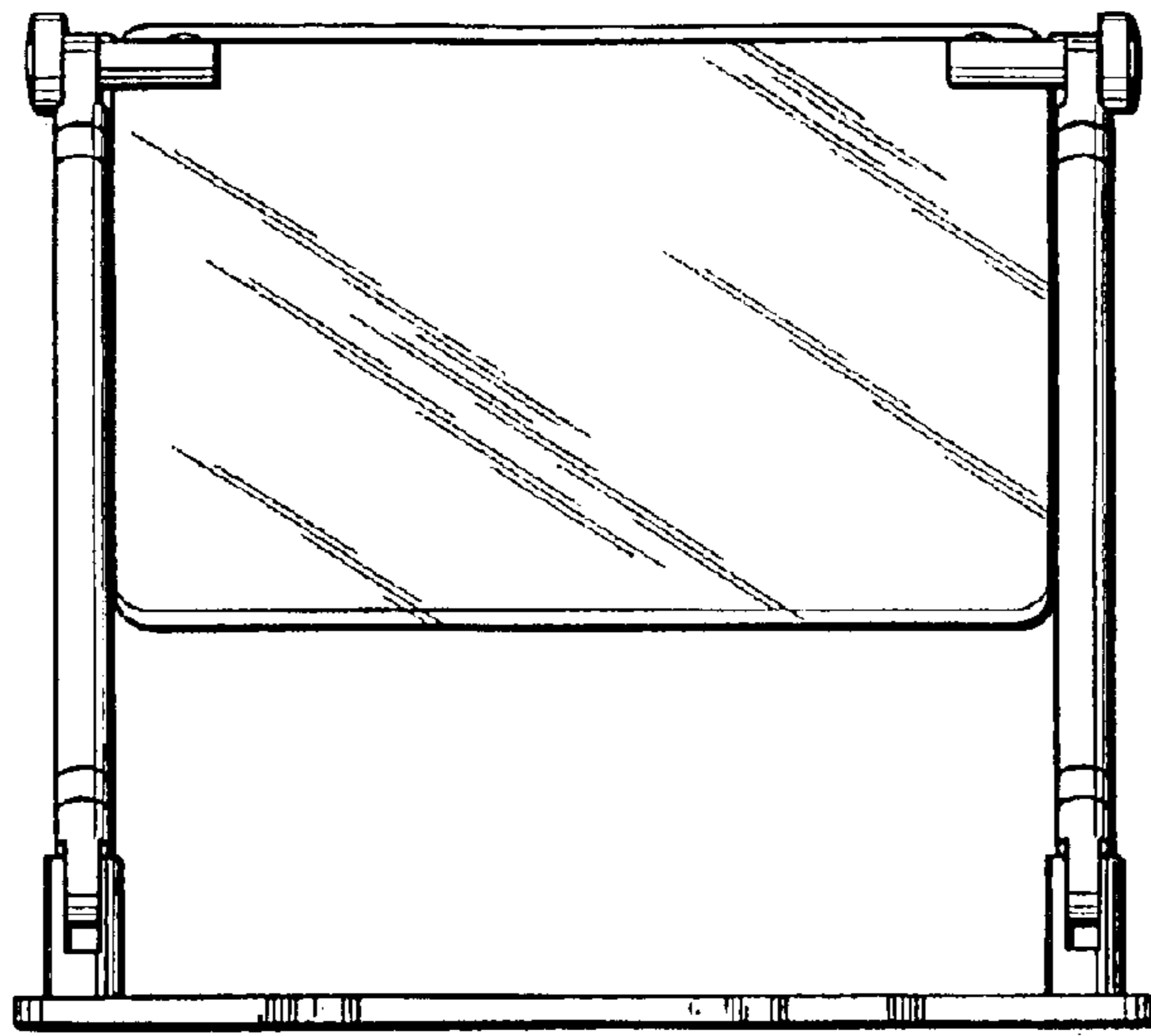


FIG. 5

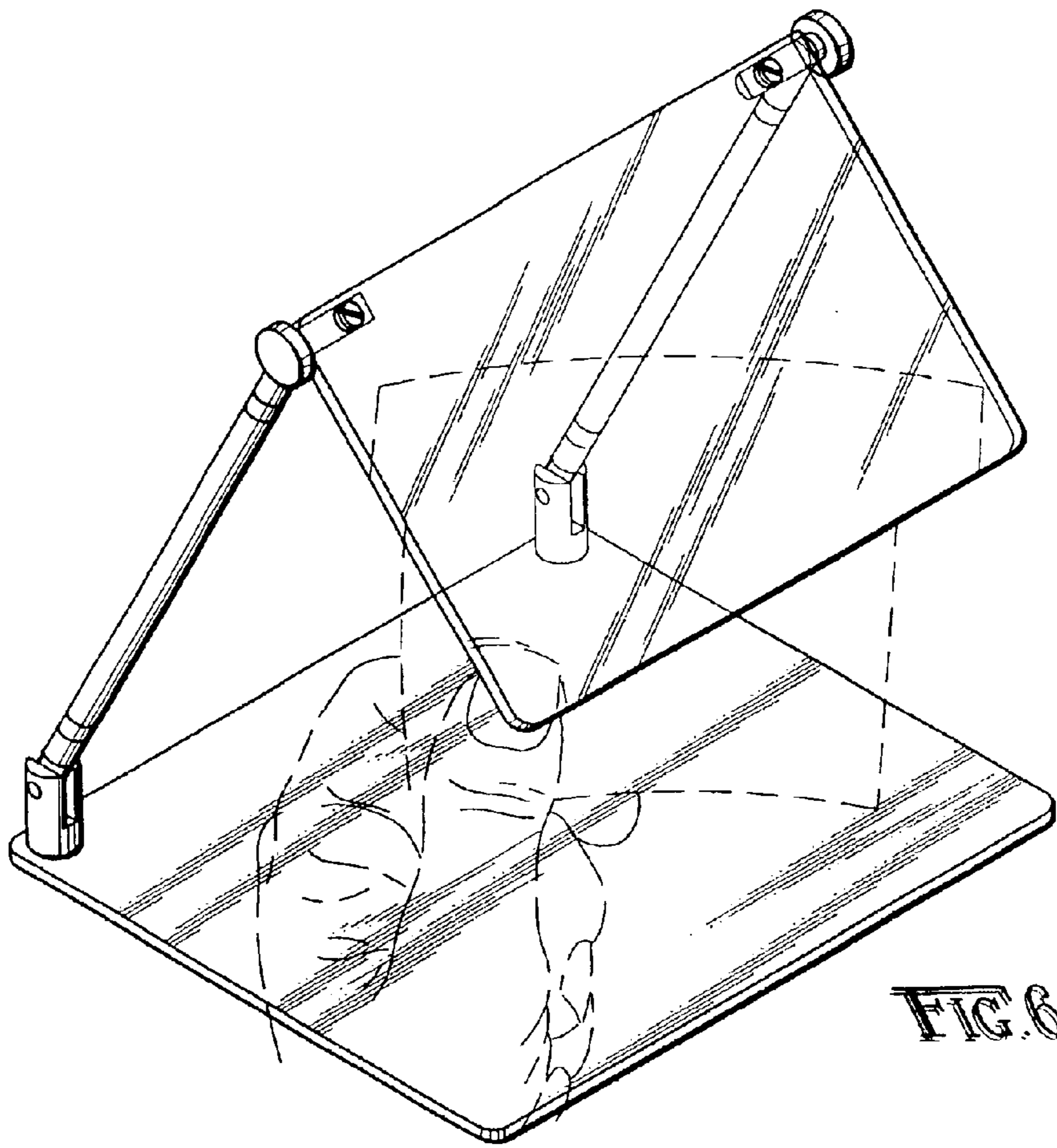


FIG. 6