



US00D488490S

(12) **United States Design Patent**  
**Wang**

(10) **Patent No.:** **US D488,490 S**

(45) **Date of Patent:** **\*\* Apr. 13, 2004**

(54) **SCROLL SAW**

D453,346 S \* 2/2002 Young ..... D15/134  
D478,602 S \* 8/2003 Lee ..... D15/134

(76) Inventor: **Chin Feng Wang**, 11F-2, No. 43,  
Chai-I Street, Taichung City (TW)

\* cited by examiner

(\*\*) Term: **14 Years**

*Primary Examiner*—Brian N. Vinson  
(74) *Attorney, Agent, or Firm*—Charles E. Baxley

(21) Appl. No.: **29/179,681**

(57) **CLAIM**

(22) Filed: **Apr. 14, 2003**

The ornamental design for a the scroll saw, as shown and described.

(51) **LOC (7) Cl.** ..... **15-09**

(52) **U.S. Cl.** ..... **D15/134**

(58) **Field of Search** ..... D15/133, 134;  
83/814–827, 72, 76.7

**DESCRIPTION**

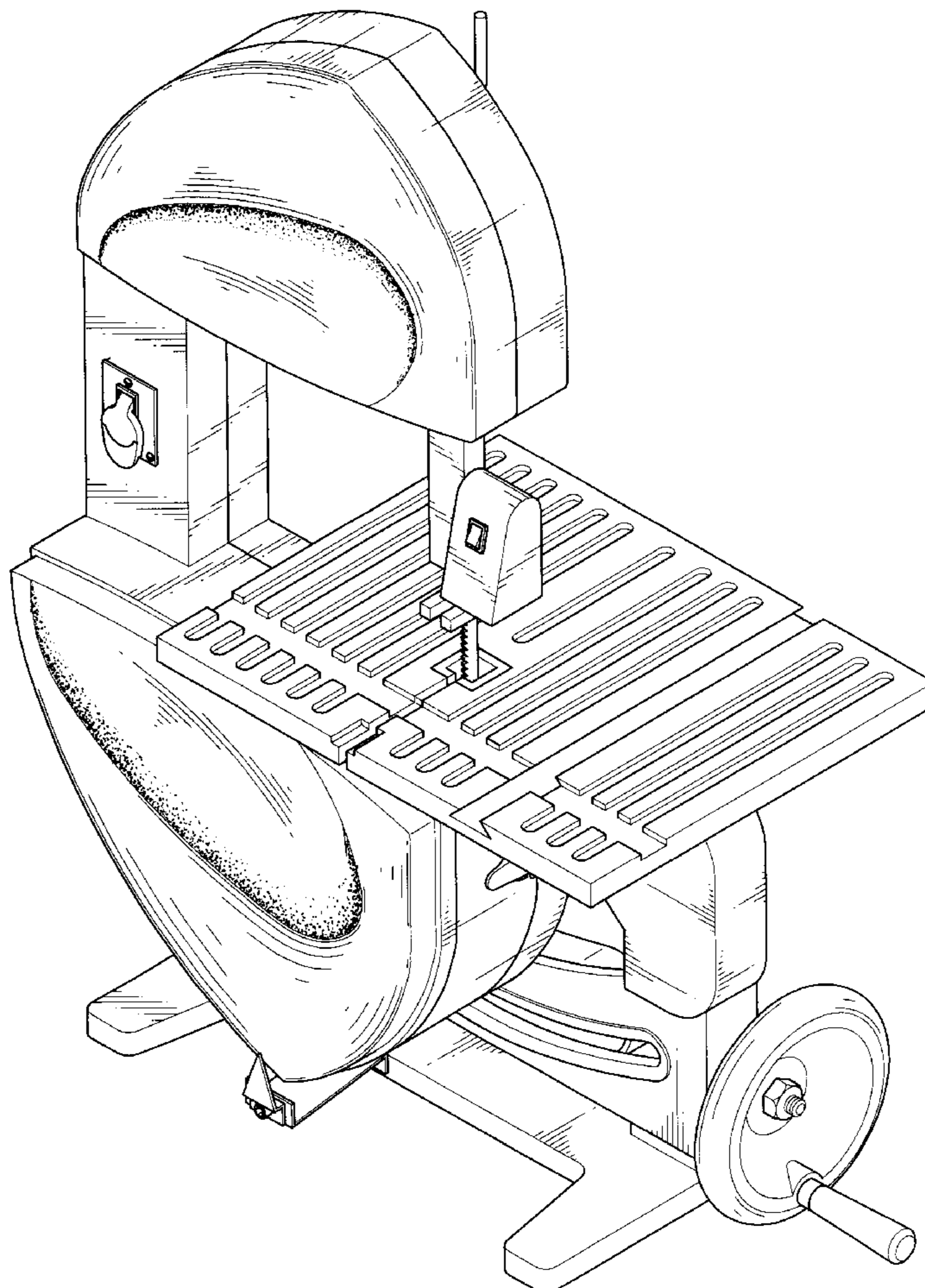
FIG. 1 is a fornt-right-top perspective view of a the scroll saw, showing my new design;  
FIG. 2 is a front elevational view thereof;  
FIG. 3 is a rear elevational view thereof;  
FIG. 4 is a left elevational view thereof;  
FIG. 5 is a right elevational view thereof;  
FIG. 6 is a top plan view thereof; and,  
FIG. 7 is a bottom plan view thereof.

(56) **References Cited**

**U.S. PATENT DOCUMENTS**

D300,934 S \* 5/1989 Arehart ..... D15/134  
D336,653 S \* 6/1993 Baird et al. .... D15/134  
D389,495 S \* 1/1998 Chung ..... D15/134  
D434,049 S \* 11/2000 Brazell ..... D15/134  
D446,228 S \* 8/2001 Hsu ..... D15/134

**1 Claim, 4 Drawing Sheets**



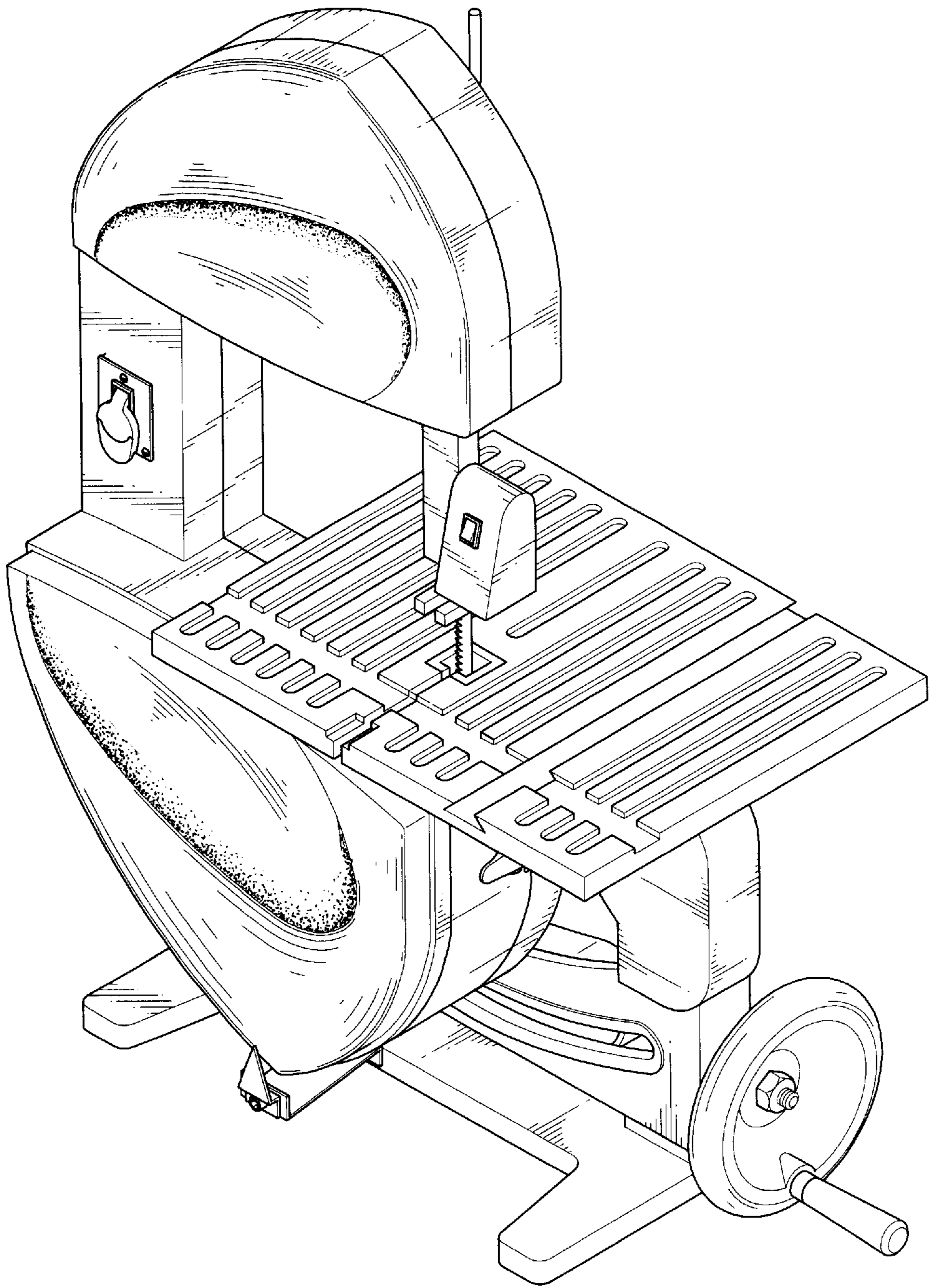


FIG. ONE

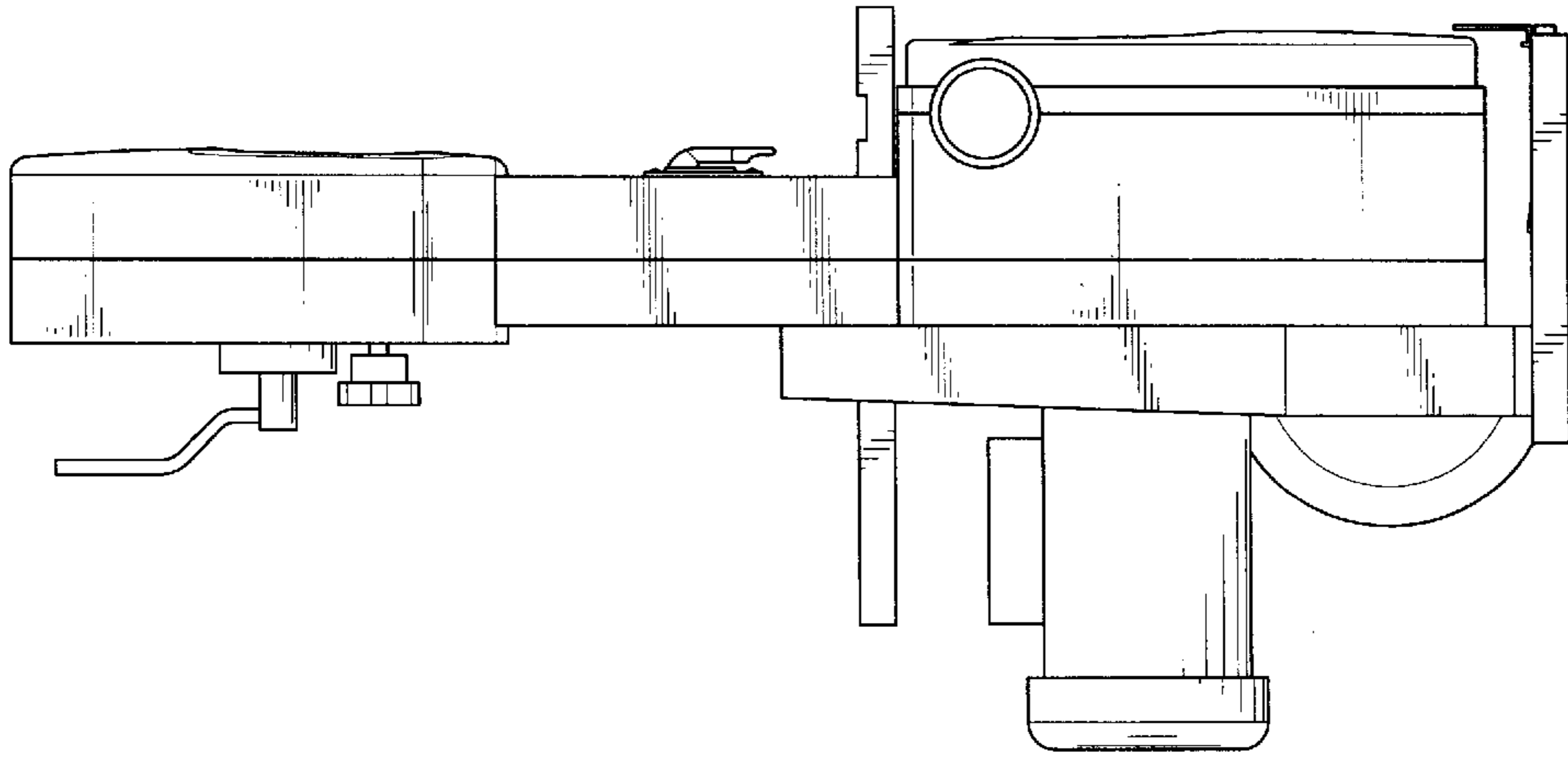


FIG. FOUR

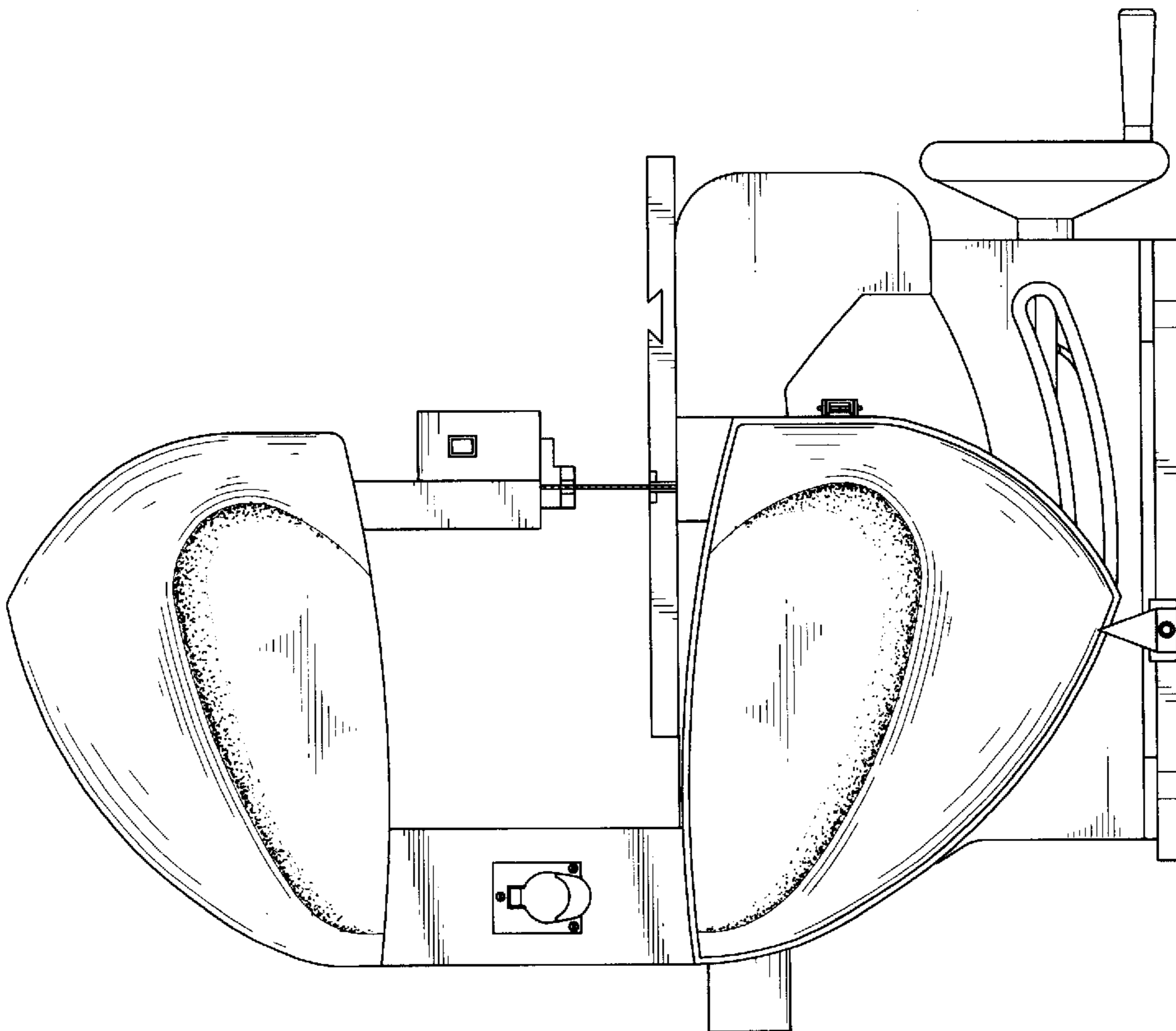


FIG. TWO

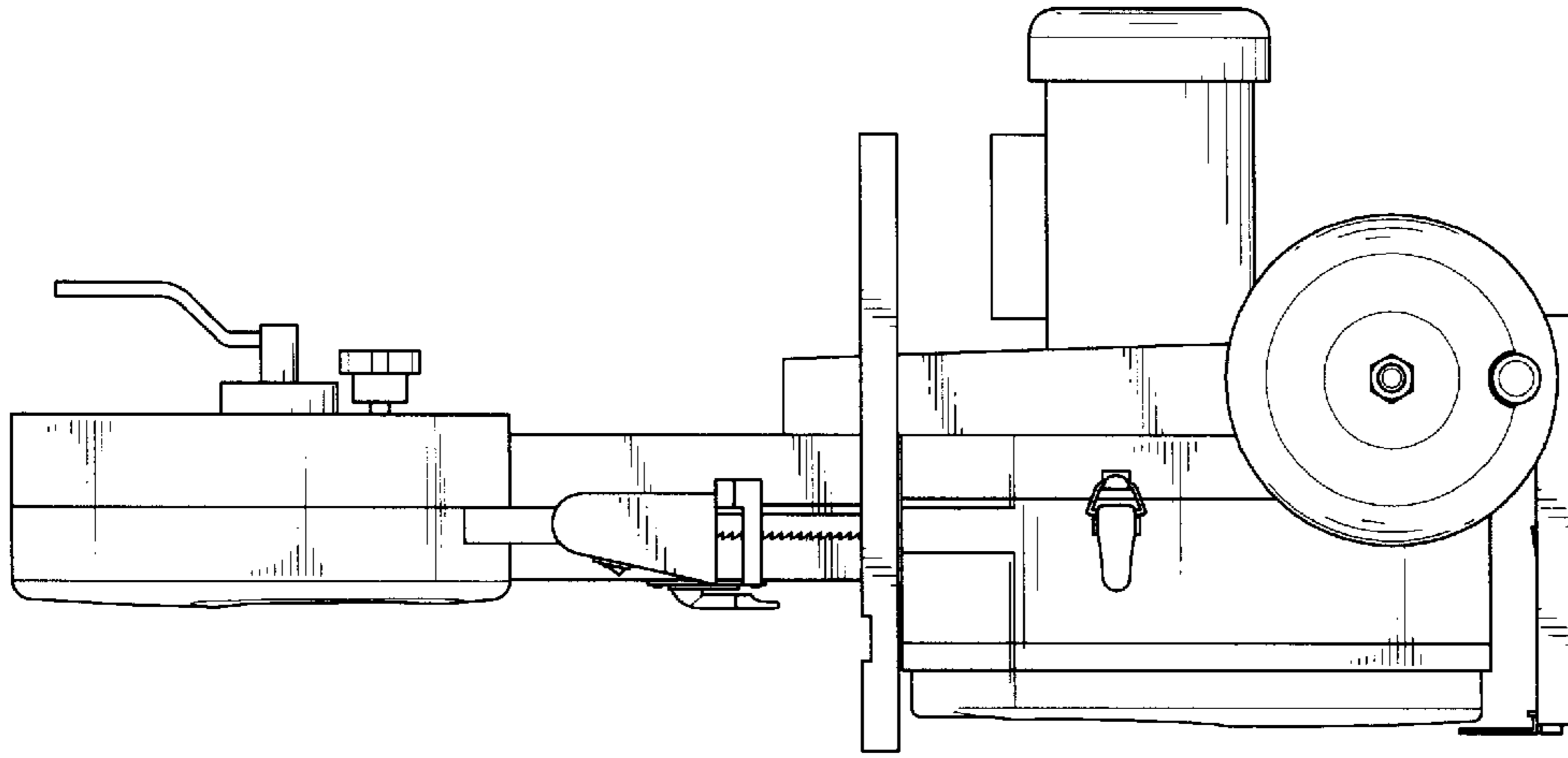


FIG. FIVE

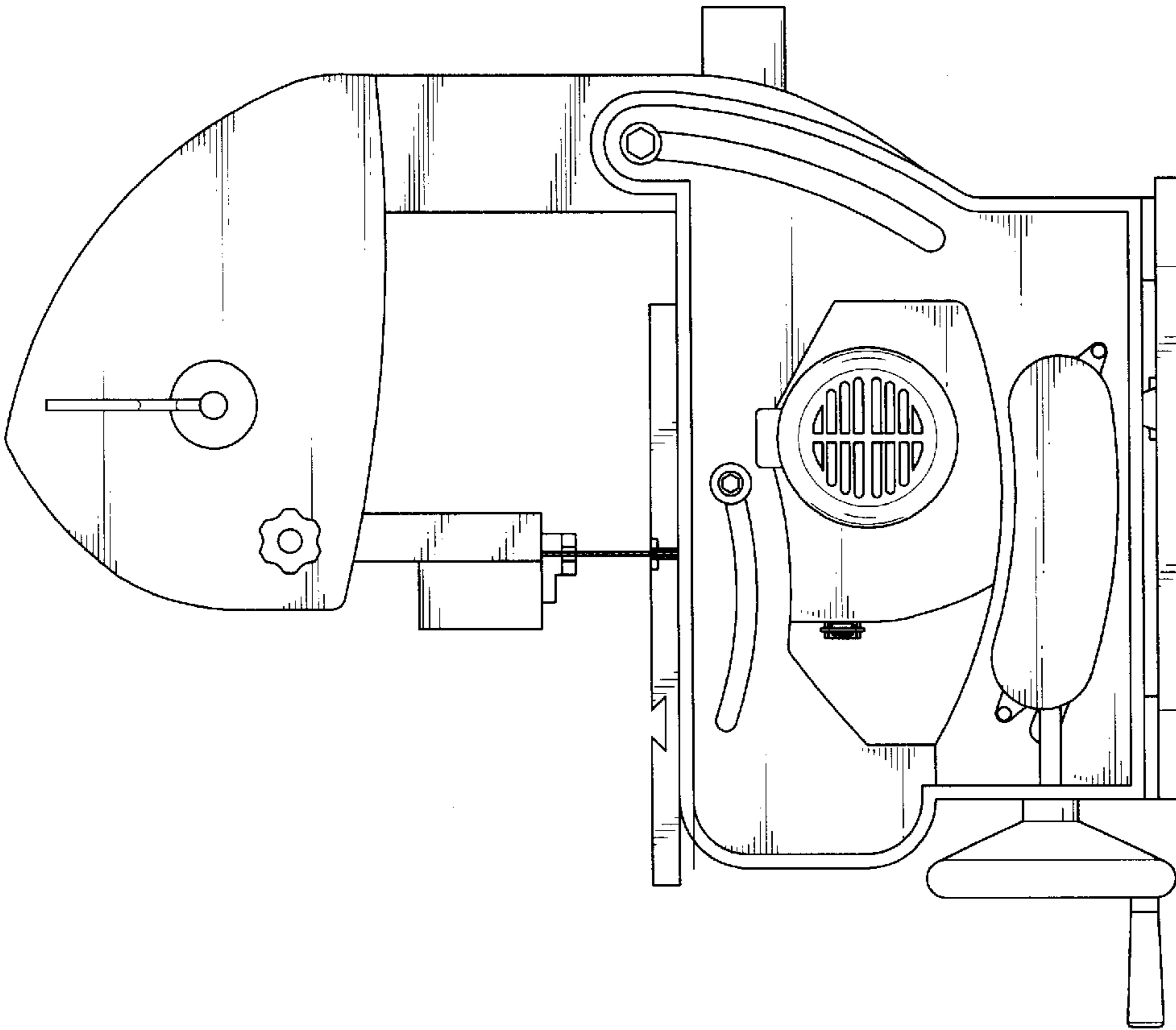


FIG. THREE

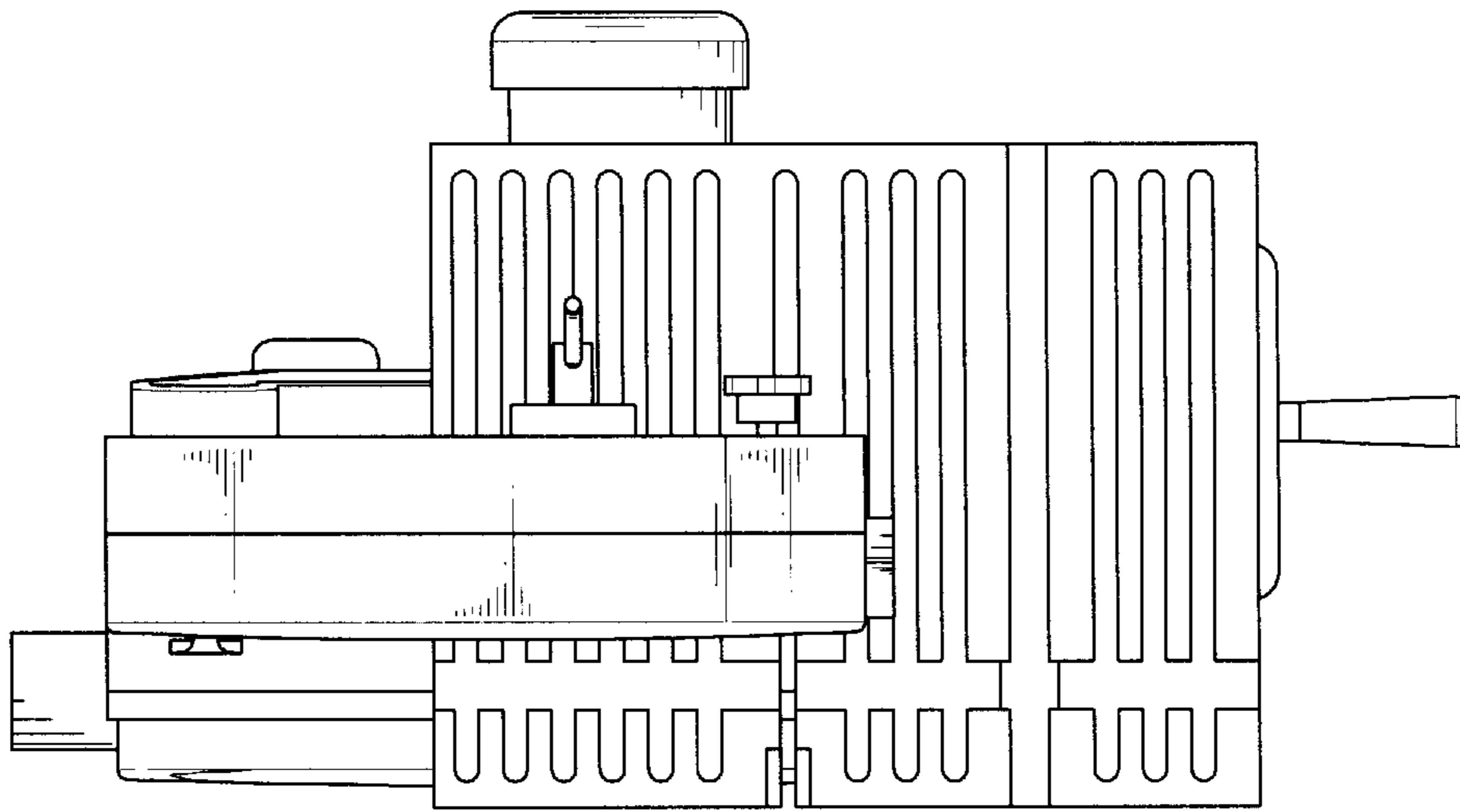


FIG. SIX

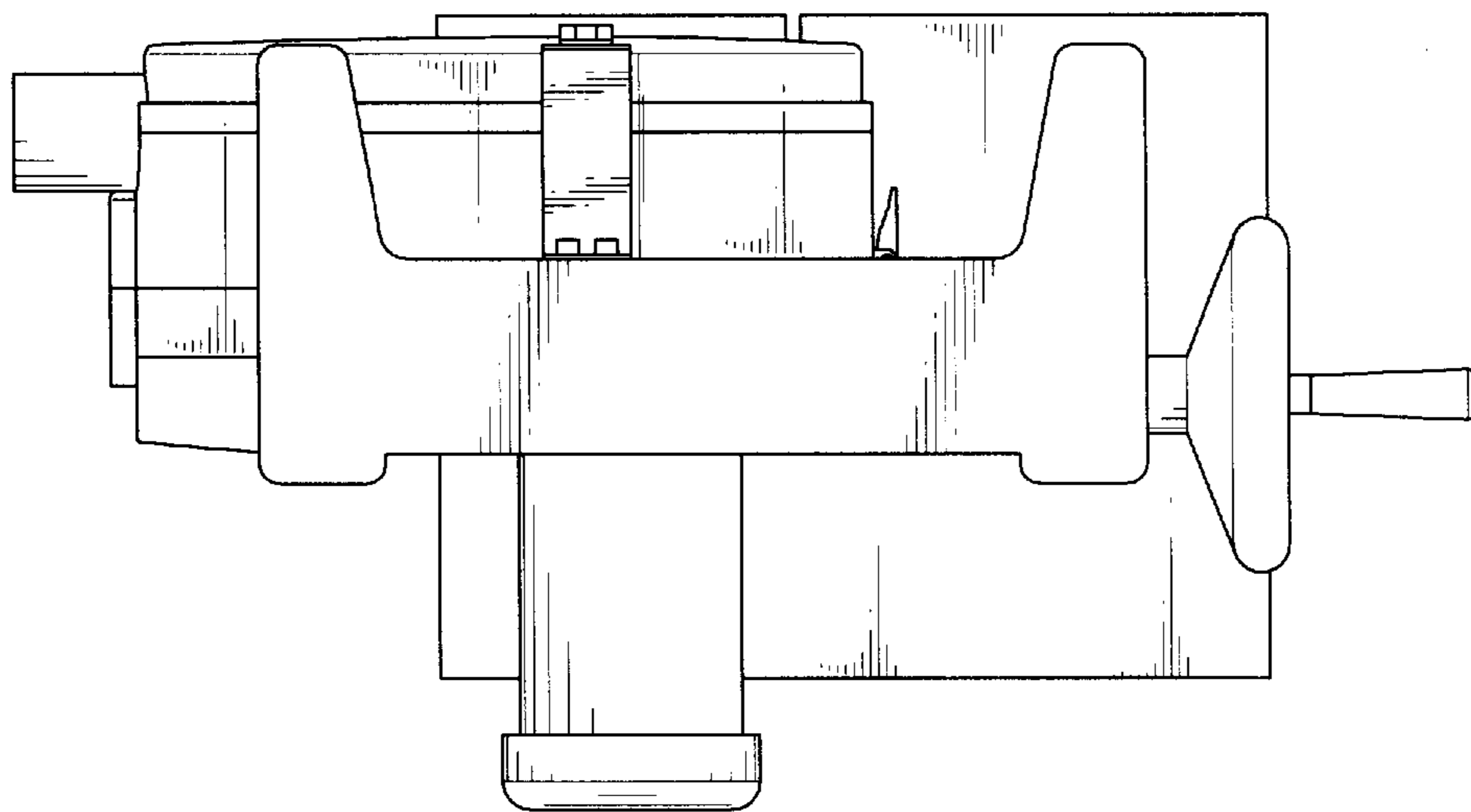


FIG. SEVEN

UNITED STATES PATENT AND TRADEMARK OFFICE  
**CERTIFICATE OF CORRECTION**

PATENT NO. : Des. 488,490 S  
DATED : April 13, 2004  
INVENTOR(S) : Chin Feng Wang

Page 1 of 1


It is certified that error appears in the above-identified patent and that said Letters Patent is hereby corrected as shown below:

Title page,

Item [54], Title, change the name from "SCROLL SAW" to -- **BAND SAW** --.

Signed and Sealed this

Second Day of August, 2005

A handwritten signature in black ink on a dotted background. The signature reads "Jon W. Dudas" in a cursive style.

JON W. DUDAS

*Director of the United States Patent and Trademark Office*