



US00D488489S

(12) **United States Design Patent**  
**Montgomery et al.**

(10) **Patent No.:** **US D488,489 S**

(45) **Date of Patent:** **\*\* Apr. 13, 2004**

(54) **FRONT END OF WORK VEHICLE**

(75) Inventors: **Gregg C. Montgomery**, Hinsdale, IL  
(US); **Douglas V. Montgomery**,  
Downers Grove, IL (US)

(73) Assignee: **Case Corporation**, Racine, WI (US)

(\*\*) Term: **14 Years**

(21) Appl. No.: **29/173,609**

(22) Filed: **Jan. 1, 2003**

(51) **LOC (7) Cl.** ..... **15-03**

(52) **U.S. Cl.** ..... **D15/31**

(58) **Field of Search** ..... D15/10, 15, 17,  
D15/22-26, 28, 31; 56/320.1, 320; 180/89.1,  
900

(56) **References Cited**

**U.S. PATENT DOCUMENTS**

D192,091 S \* 1/1962 Lathe ..... D15/31

D381,025 S \* 7/1997 Bataille ..... D15/31  
D389,492 S \* 1/1998 Schmidt et al. .... D15/31  
D413,905 S \* 9/1999 Schmidt et al. .... D15/31  
D458,944 S \* 6/2002 Crookes et al. .... D15/31

\* cited by examiner

*Primary Examiner*—Mitchell Siegel

(74) *Attorney, Agent, or Firm*—John William Stader; Collin  
A. Webb

(57) **CLAIM**

The ornamental design for a front end of work vehicle, as  
shown and described.

**DESCRIPTION**

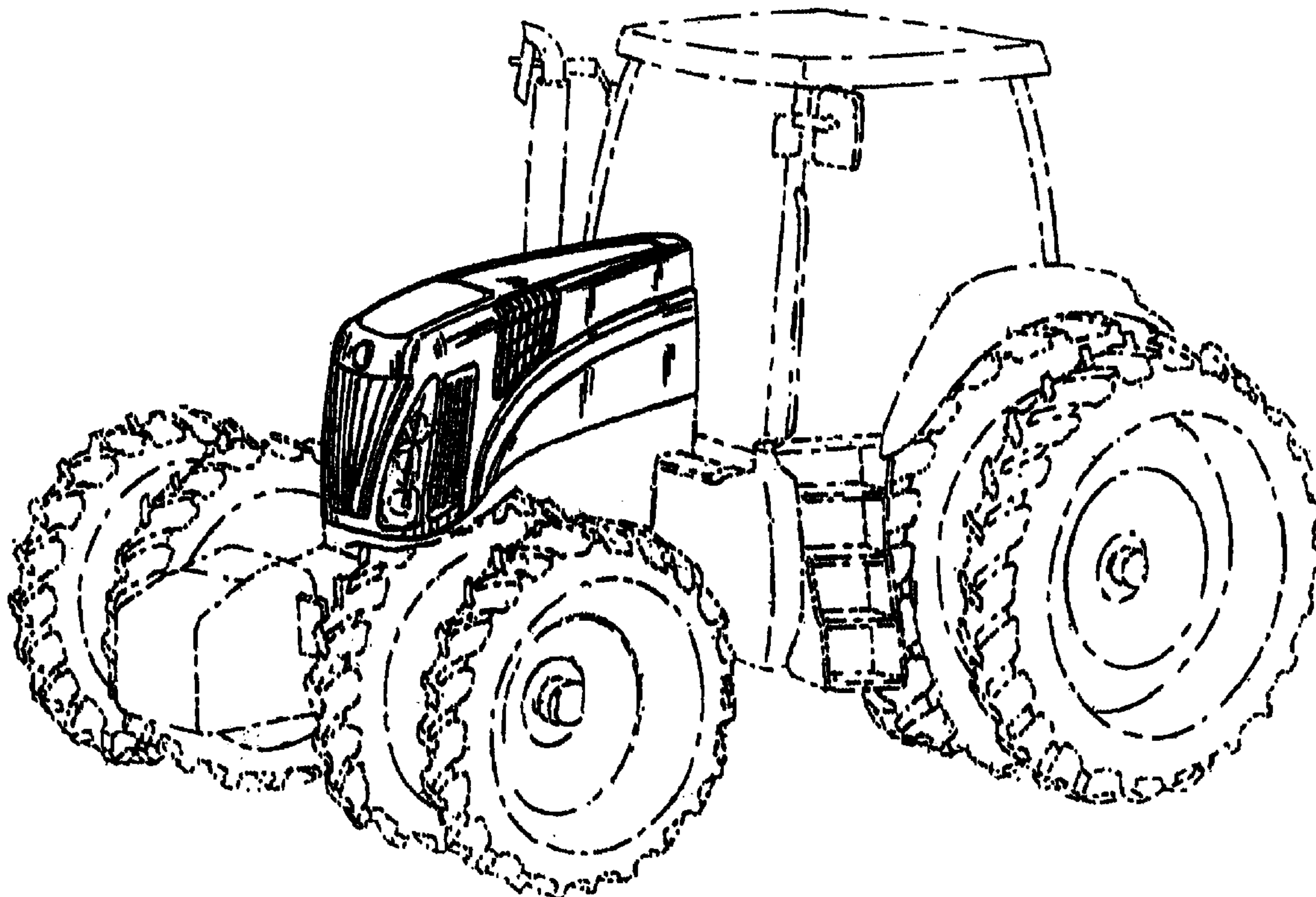
FIG. 1 is an elevated perspective view of the front end of a  
work vehicle as seen from the left front of the work vehicle  
embodying our new design;

FIG. 2 is a top plan view thereof;

FIG. 3 is a left-side elevation view thereof; and,

FIG. 4 is a front elevation view thereof.

**1 Claim, 3 Drawing Sheets**



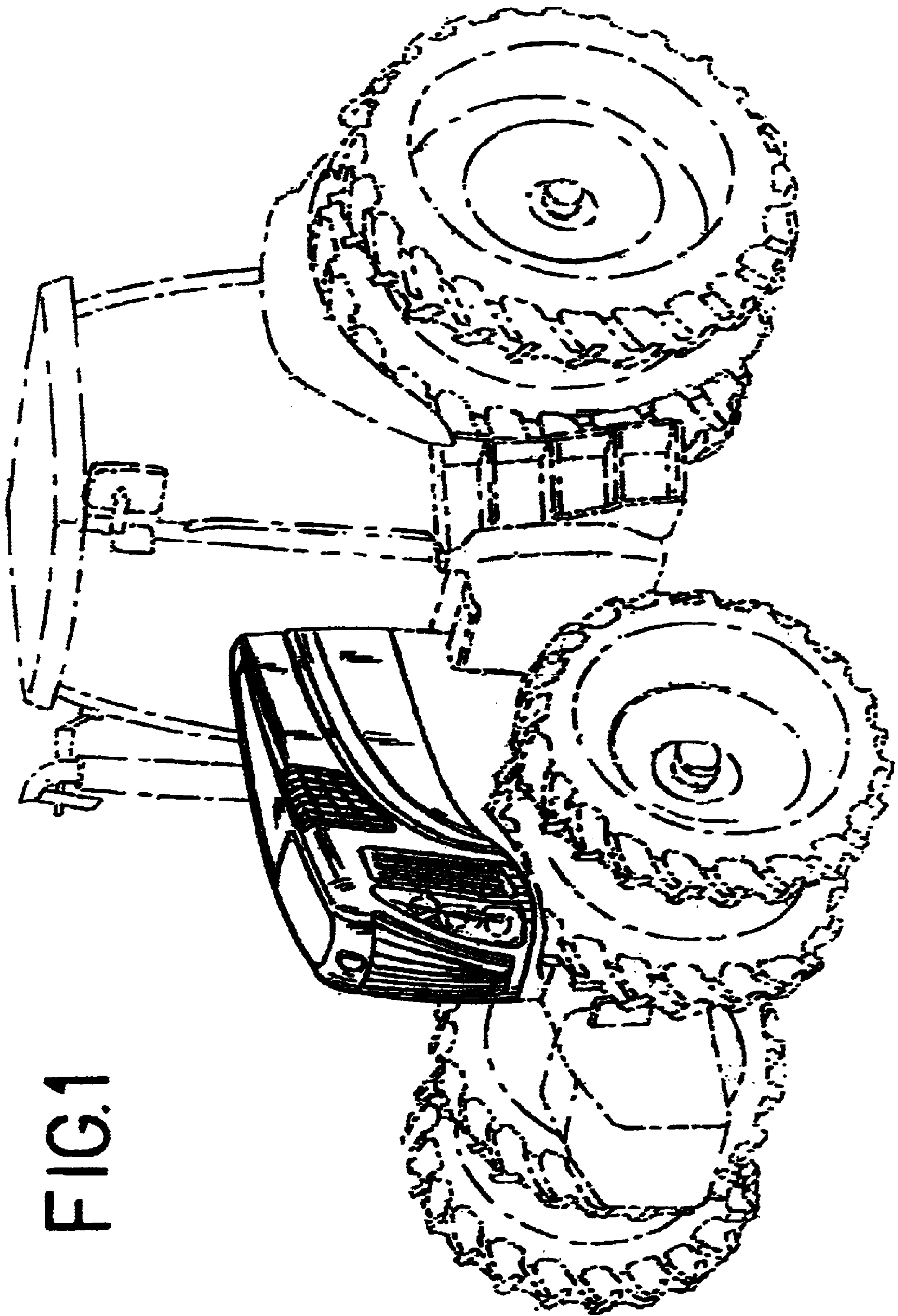


FIG.1

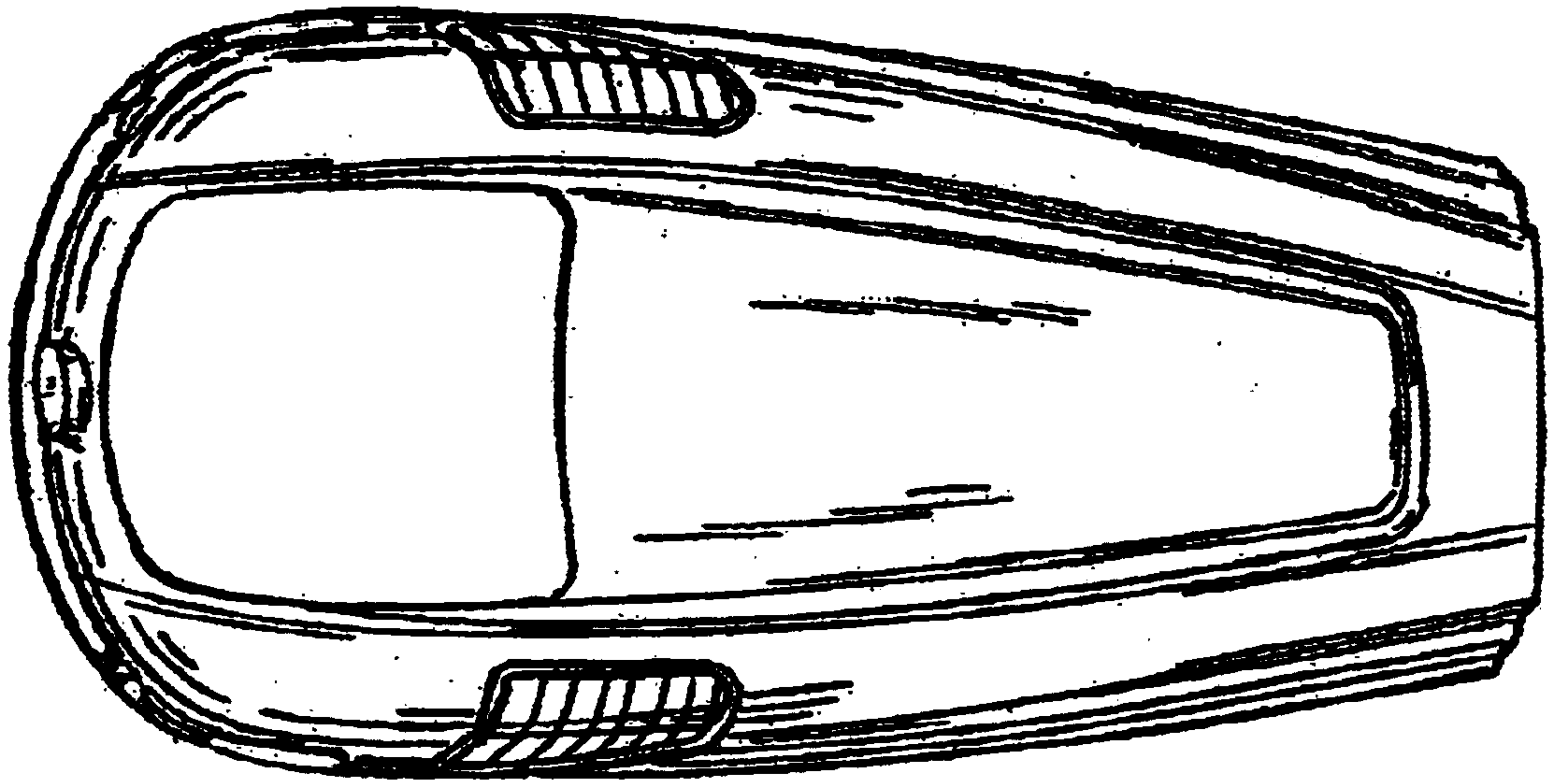


FIG. 2

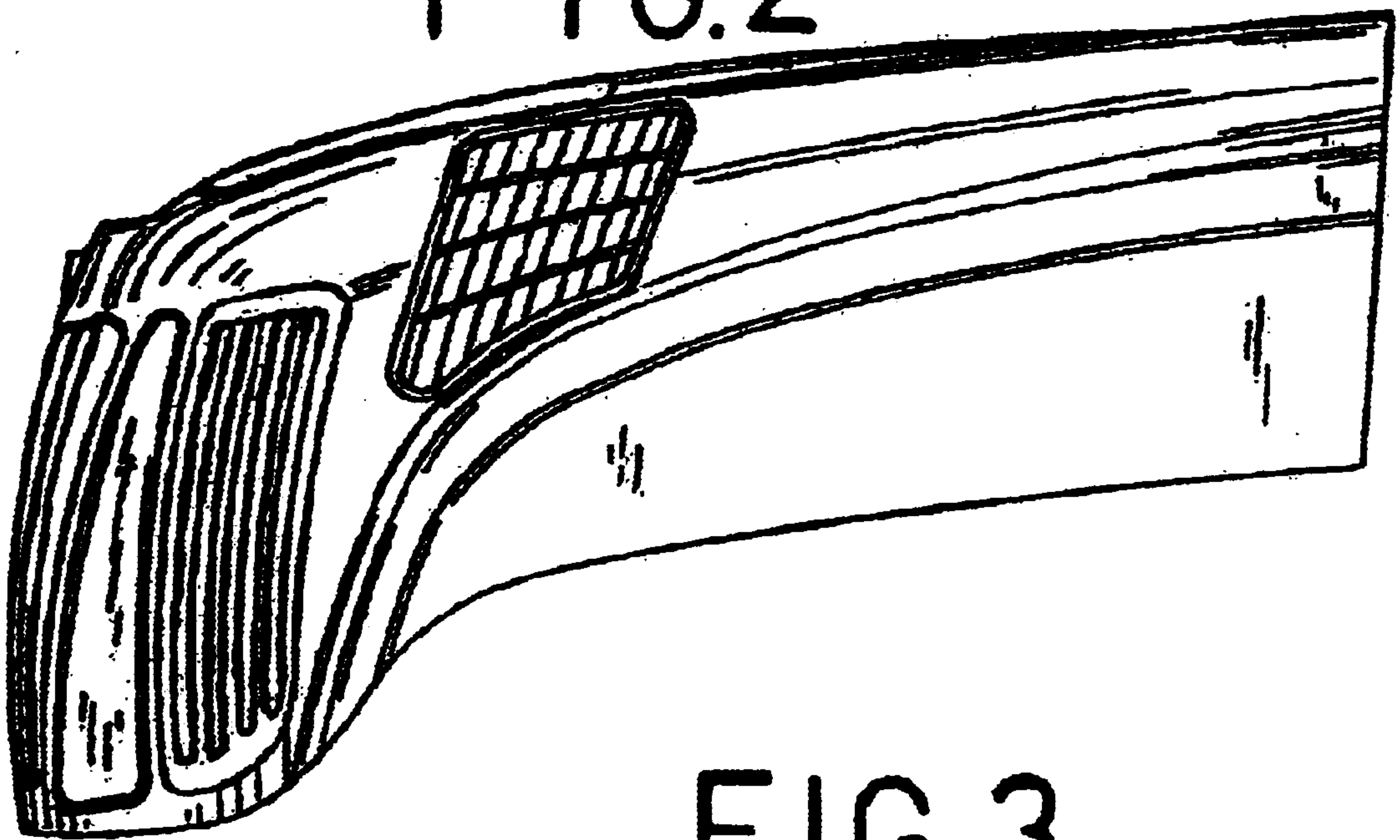


FIG. 3



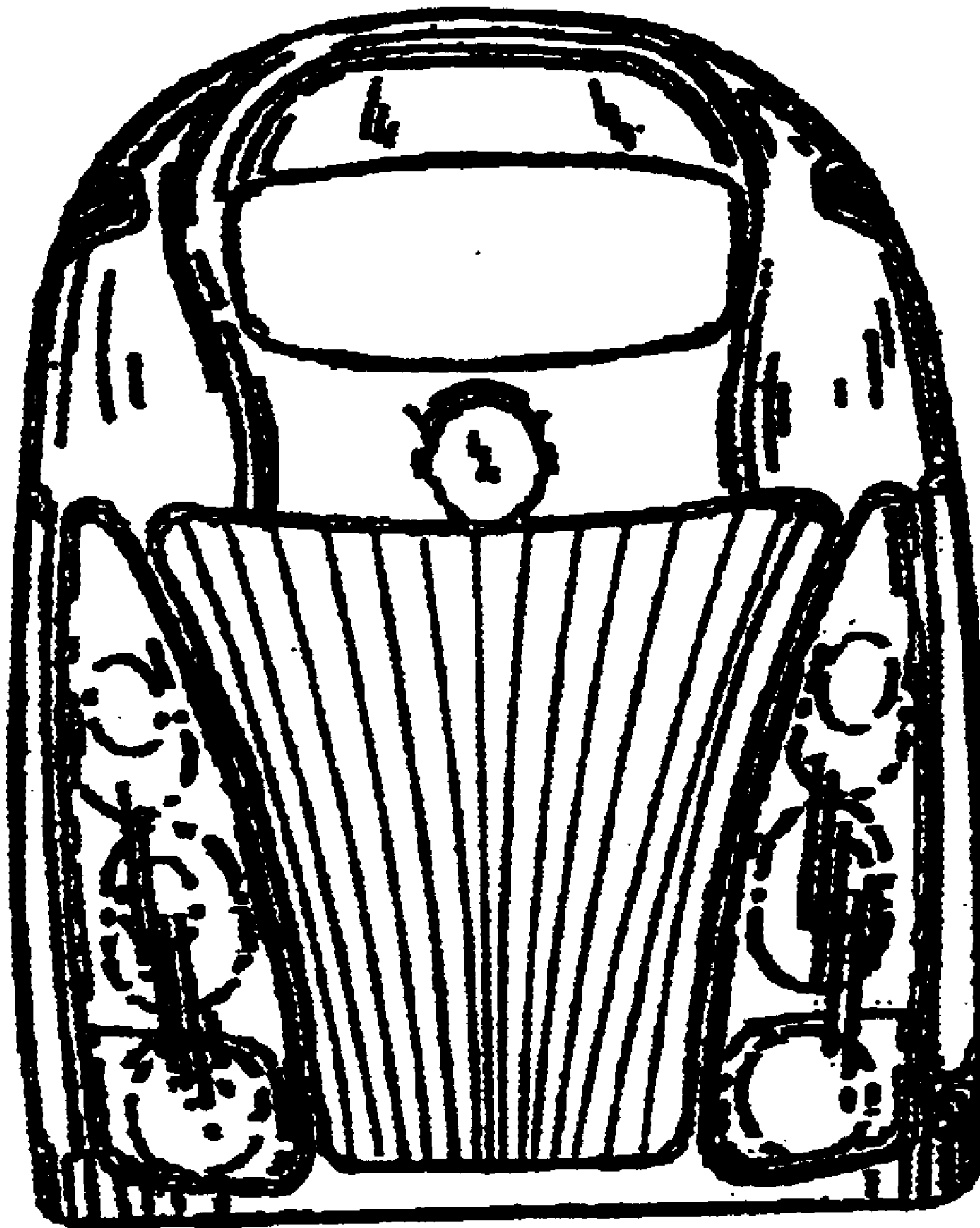


FIG. 4