



US00D488487S

(12) **United States Design Patent**
Isayama et al.

(10) **Patent No.:** **US D488,487 S**

(45) **Date of Patent:** **** Apr. 13, 2004**

(54) **MACHINE TO SPRAY CHEMICALS**

6,412,707 B1 * 7/2002 Wirz 239/154
D481,497 S * 10/2003 Malmqvist et al. D32/15

(75) Inventors: **Kazuhiro Isayama**, Togane (JP);
Junichi Miyamoto, Togane (JP); **Akiko Sasaki**, Togane (JP)

* cited by examiner

Primary Examiner—Mitchell Siegel

(73) Assignee: **Maruyama Mfg. Co., Inc.**, Tokyo (JP)

(74) *Attorney, Agent, or Firm*—Leydig, Voit & Mayer, Ltd.

(**) Term: **14 Years**

(57) **CLAIM**

(21) Appl. No.: **29/182,228**

The ornamental design for a machine to spray chemicals, as described and shown.

(22) Filed: **May 23, 2003**

DESCRIPTION

(30) **Foreign Application Priority Data**

Nov. 29, 2002 (JP) 2002-033171

(51) **LOC (7) Cl.** **15-03**

(52) **U.S. Cl.** **D15/28**

(58) **Field of Search** D15/10-13, 17,
D15/28; 15/344, 300.1, 303, 405, 327.5,
410; 123/185.2, 185.3, 198 D; 16/442;
477/99; 239/154; 222/175, 424

FIG. 1 is a perspective environmental view of a machine to spray chemicals of the present invention.

FIG. 2 is a front perspective view of the machine to spray chemicals of FIG. 1.

FIG. 3 is a rear perspective view of the machine to spray chemicals of FIG. 1.

FIG. 4 is a left side perspective view of the machine to spray chemicals of FIG. 1.

FIG. 5 is a right side perspective view of the machine to spray chemicals of FIG. 1.

FIG. 6 is a top plan perspective view of the machine to spray chemicals of FIG. 1; and,

FIG. 7 is a bottom plan perspective view of the machine to spray chemicals of FIG. 1.

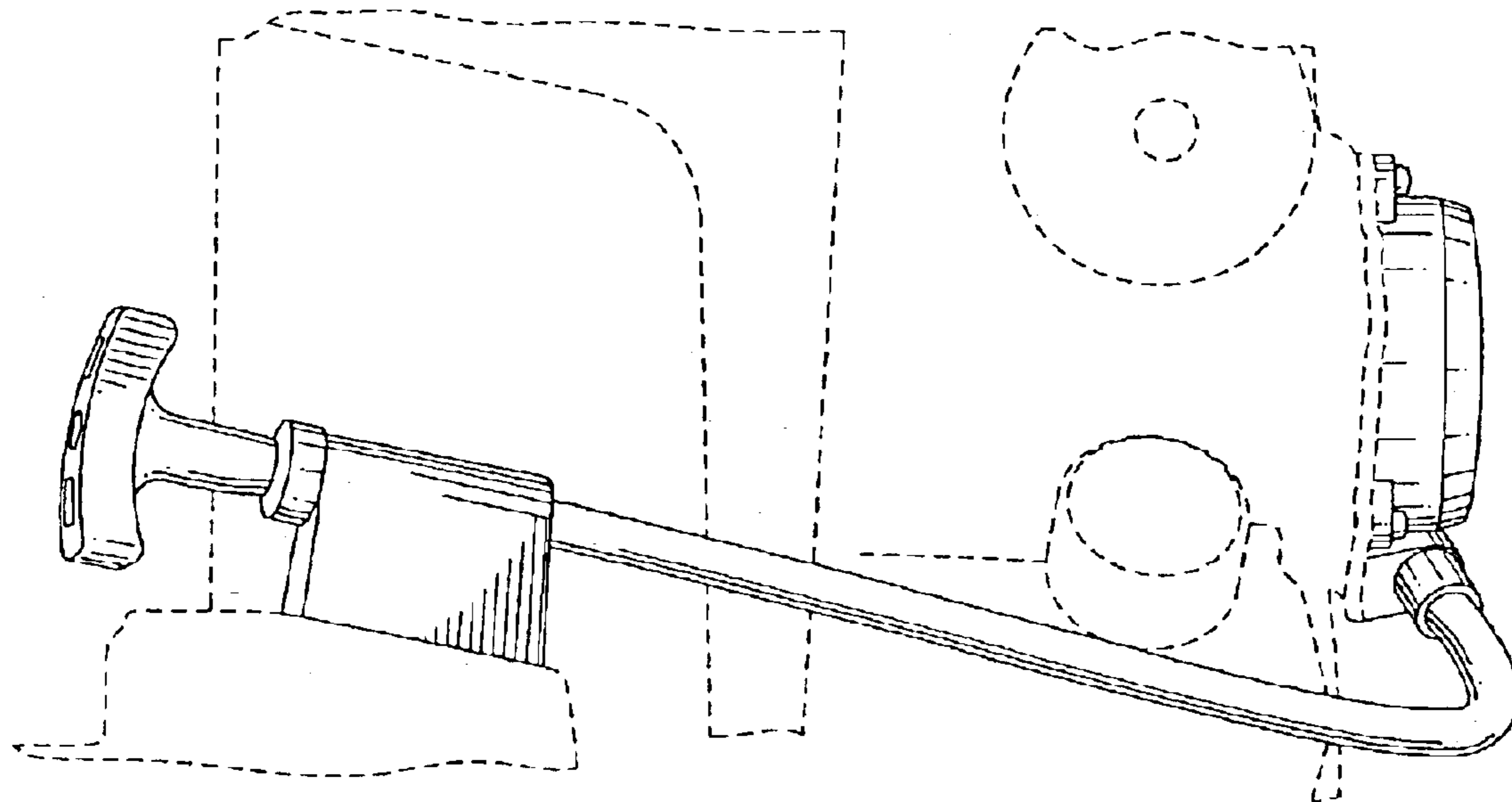
The broken line showing is for illustrative purposes only and forms no part of the claimed design.

(56) **References Cited**

U.S. PATENT DOCUMENTS

4,019,490 A * 4/1977 Reese 123/185.2
4,103,660 A * 8/1978 Reese 477/99
5,813,088 A * 9/1998 Wagner et al. 15/327.5
6,112,714 A * 9/2000 Brister 123/198 D
6,230,678 B1 * 5/2001 Gracyalny et al. 123/185.14

1 Claim, 7 Drawing Sheets



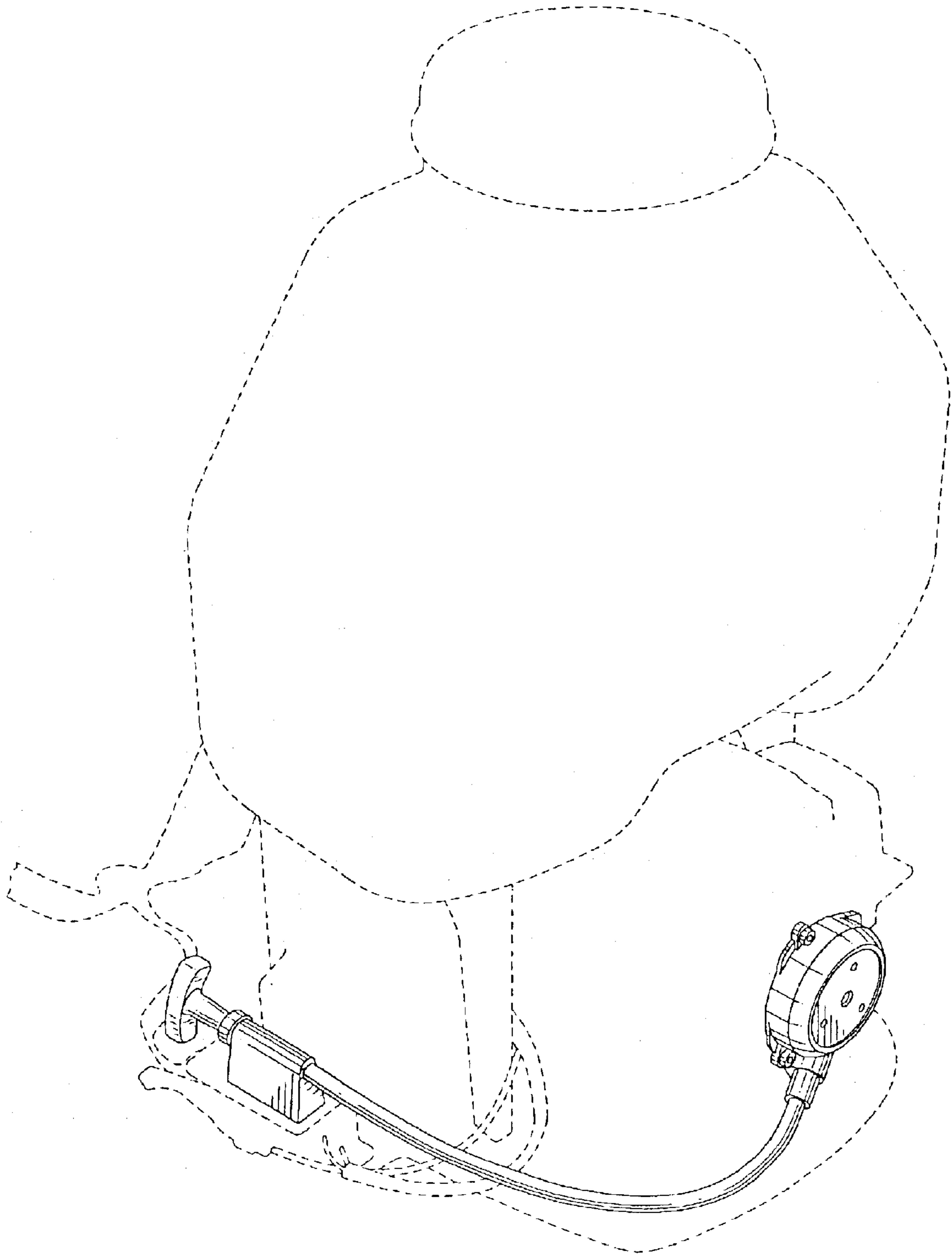


FIG. 1

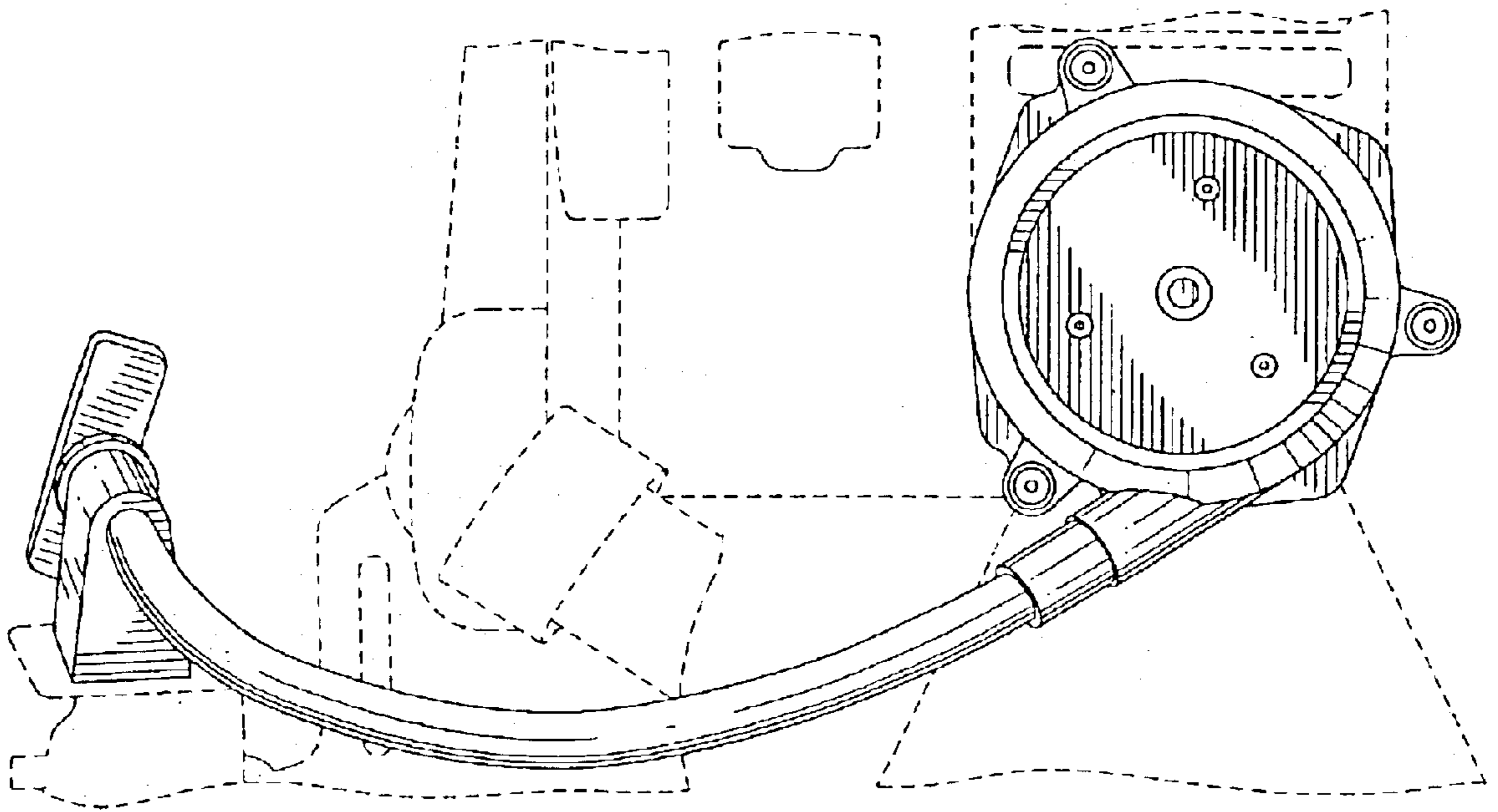


FIG.2

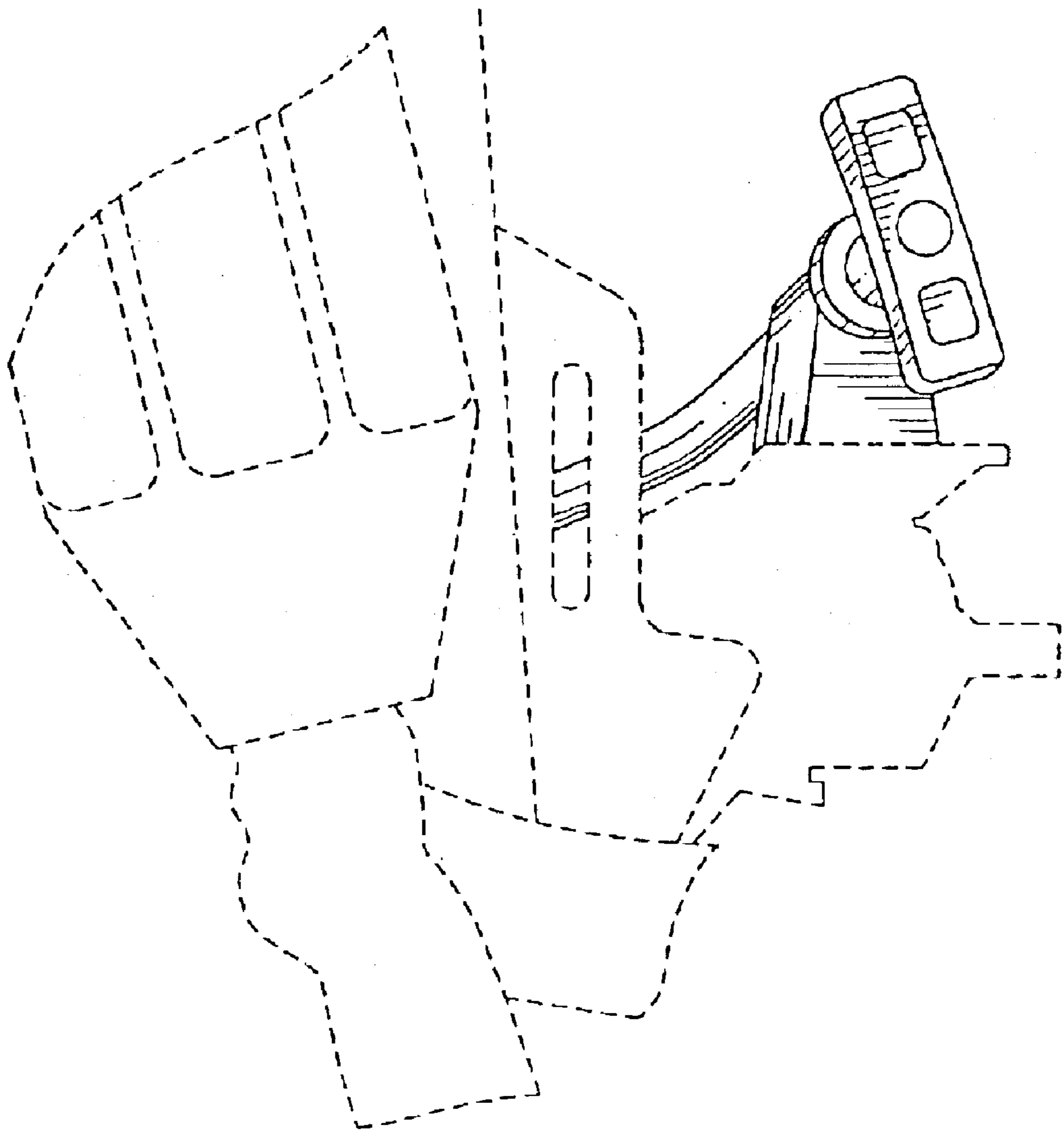


FIG.3

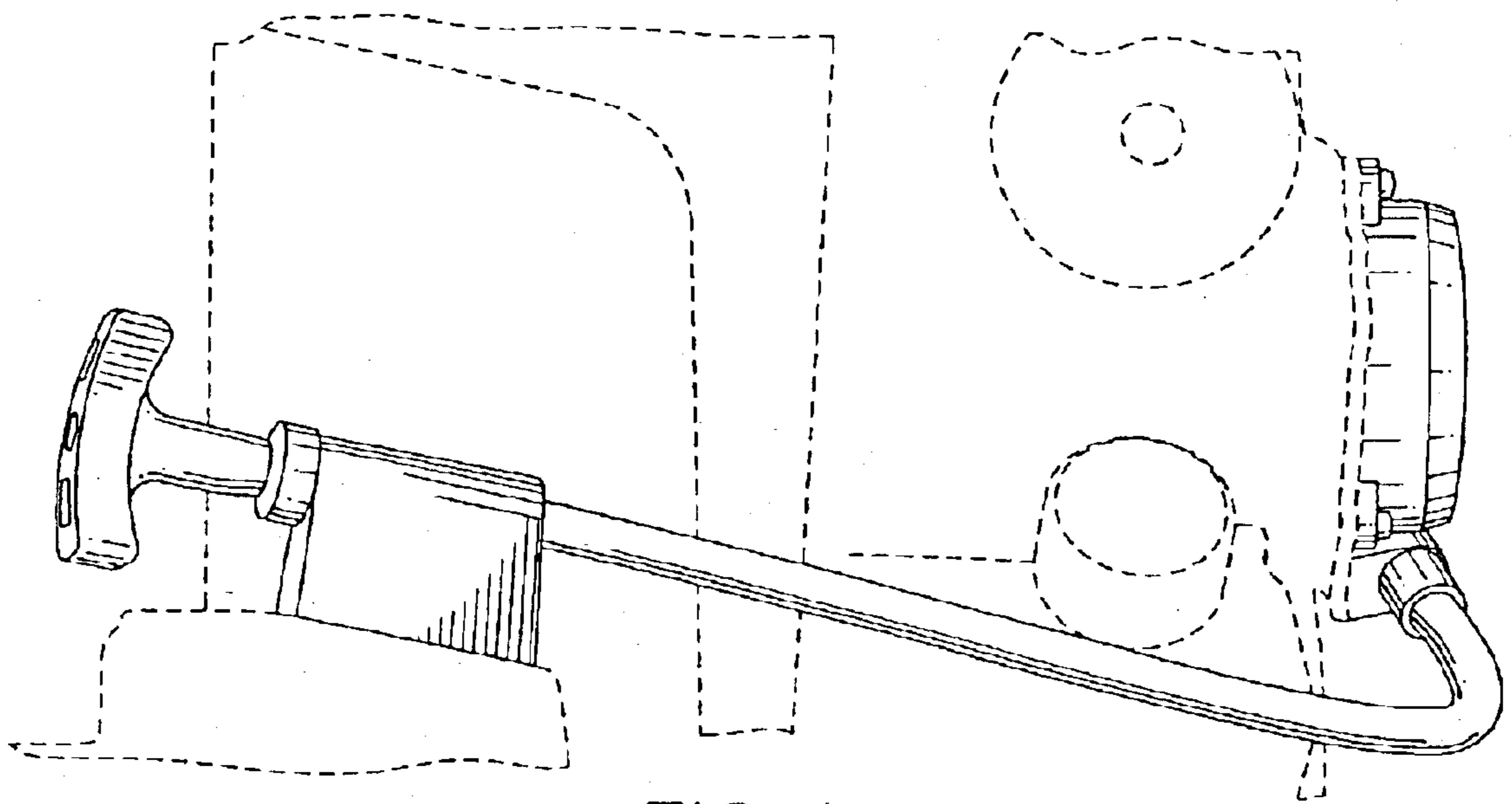


FIG. 4

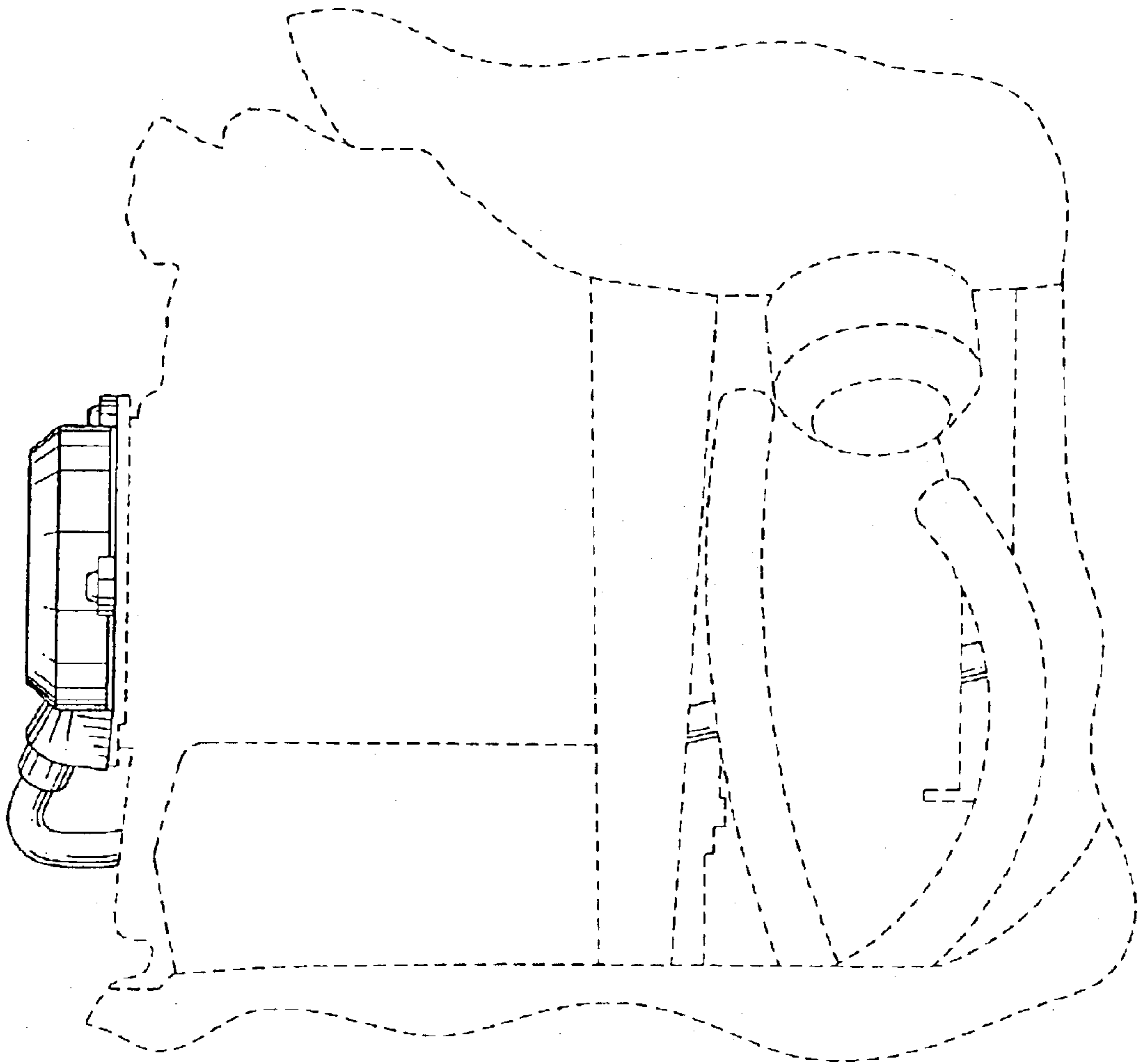


FIG. 5

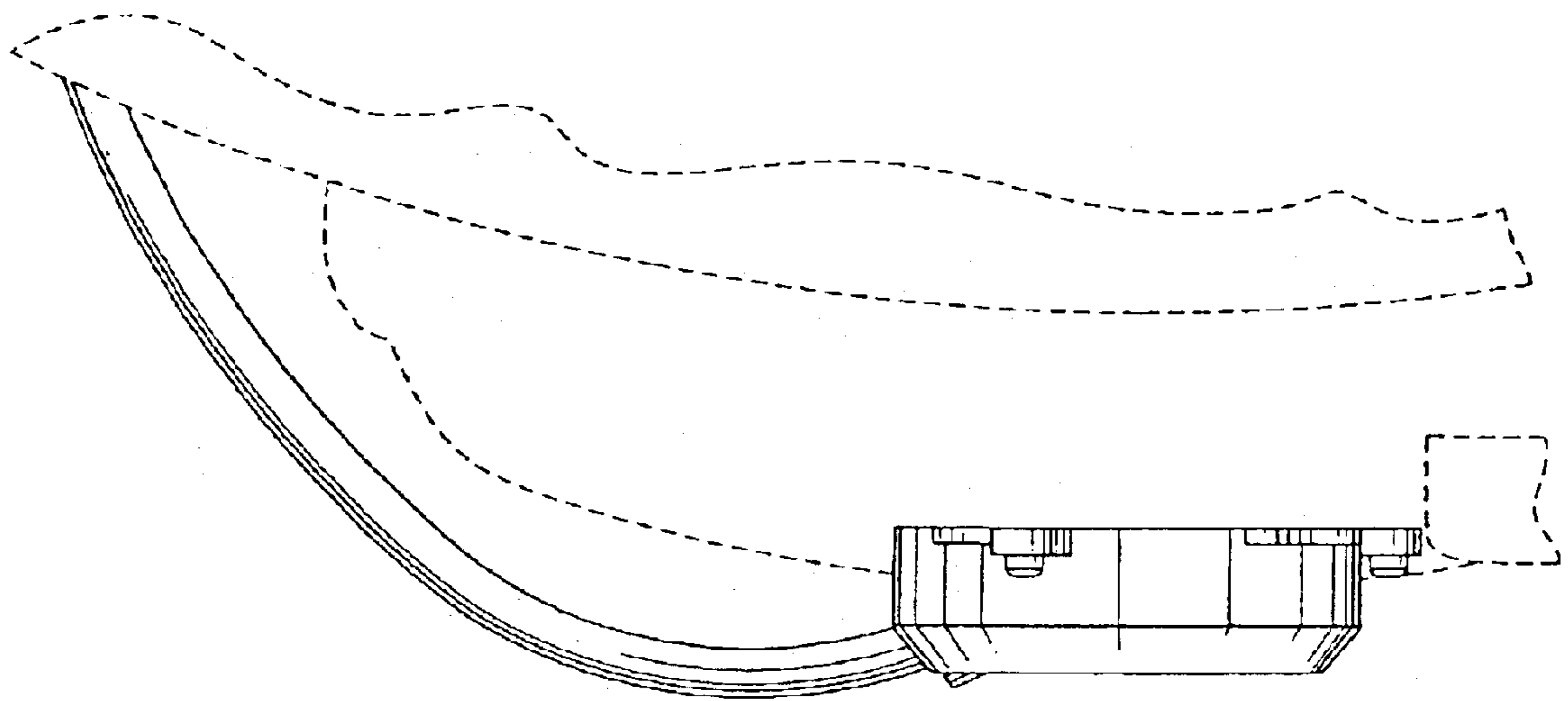


FIG. 6

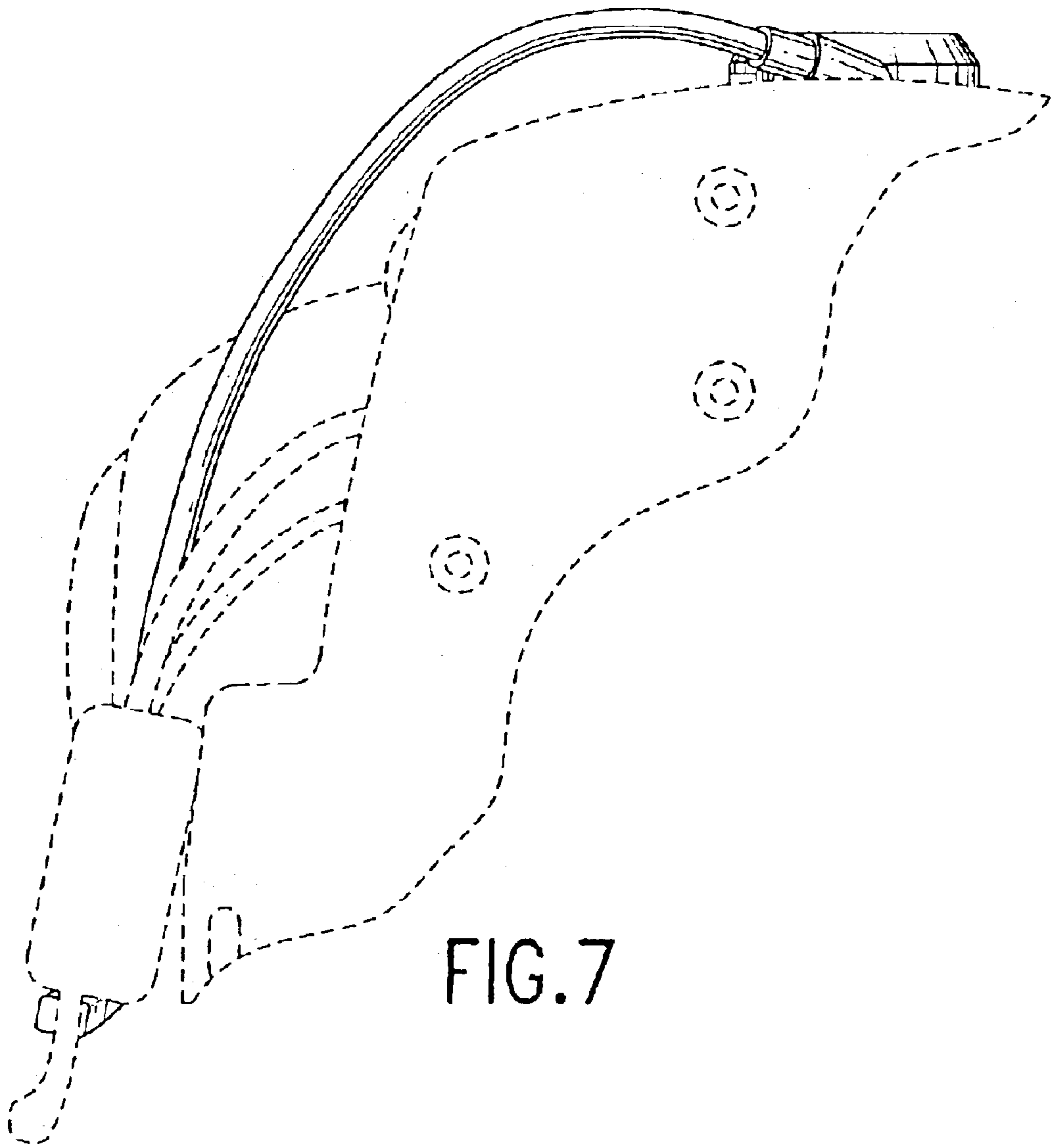


FIG. 7