



US00D488479S

(12) **United States Design Patent**  
**Xu et al.**

(10) **Patent No.:** **US D488,479 S**  
(45) **Date of Patent:** **\*\* Apr. 13, 2004**

(54) **COMPUTER FRONT BEZEL**

D459,357 S \* 6/2002 Lo ..... D14/444  
D468,317 S \* 1/2003 Chien et al. .... D14/444

(75) Inventors: **Yun-Dong Xu**, Shenzhen (CN); **Perry Chih Wei Hsu**, Taipei (TW); **Ding-Ding Zhang**, Shenzhen (CN); **Tao Su**, Shenzhen (CN); **Xin-Jian Xiao**, Shenzhen (CN)

\* cited by examiner

*Primary Examiner*—Freda Nunn  
(74) *Attorney, Agent, or Firm*—Wei Te Chung

(73) Assignee: **Hon Hai Precision Ind. Co., Ltd.**, Taipei Hsien (TW)

(57) **CLAIM**

The ornamental design for a computer front bezel, as shown and described.

(\*\*) Term: **14 Years**

**DESCRIPTION**

(21) Appl. No.: **29/179,791**

FIG. 1 is a perspective view of a computer front bezel of our new design;  
FIG. 2 is a front elevational view thereof;  
FIG. 3 is a rear elevational view thereof;  
FIG. 4 is a left side elevational view thereof;  
FIG. 5 is a right side elevational view thereof;  
FIG. 6 is a top plan view thereof;  
FIG. 7 is a bottom plan view thereof; and,  
FIG. 8 is a perspective view thereof being mounted to a computer case which is shown in broken lines for illustrative purposes only and forms no part of the claimed design.

(22) Filed: **Apr. 15, 2003**

(51) **LOC (7) Cl.** ..... **14-02**

(52) **U.S. Cl.** ..... **D14/444**

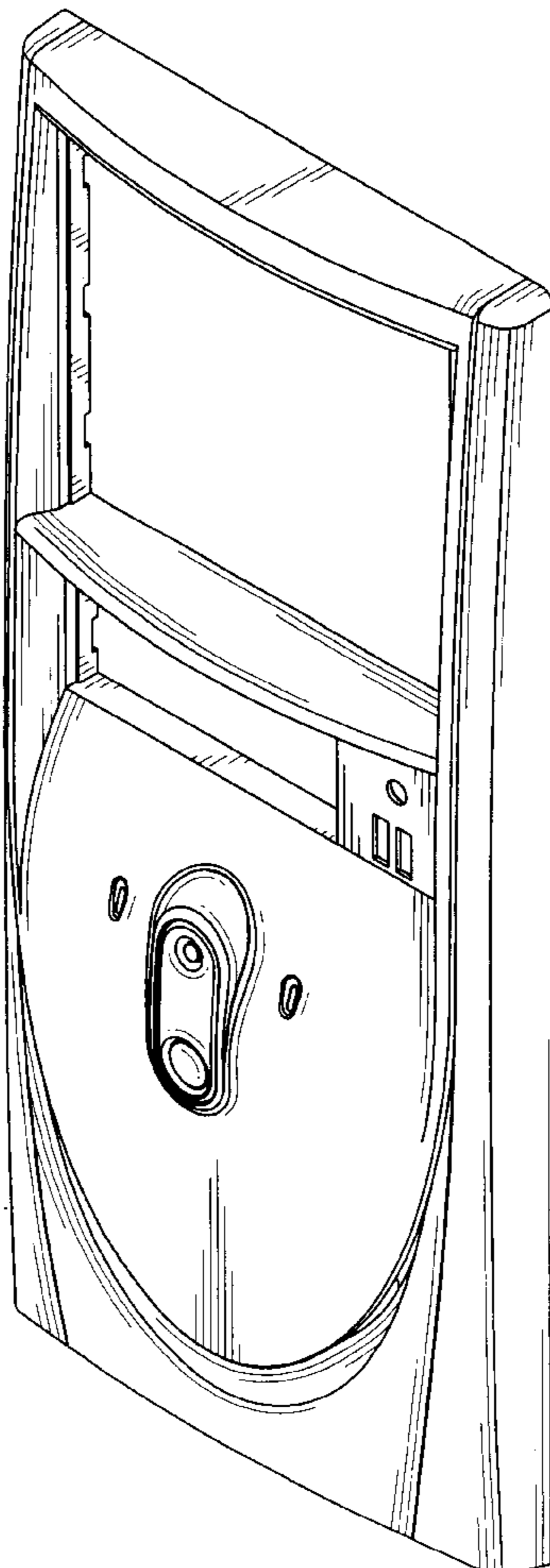
(58) **Field of Search** ..... D14/441-446;  
D13/162, 184, 199; 312/223.2; 361/690-696

(56) **References Cited**

**U.S. PATENT DOCUMENTS**

5,169,218 A \* 12/1992 Chu ..... 312/223.2

**1 Claim, 6 Drawing Sheets**



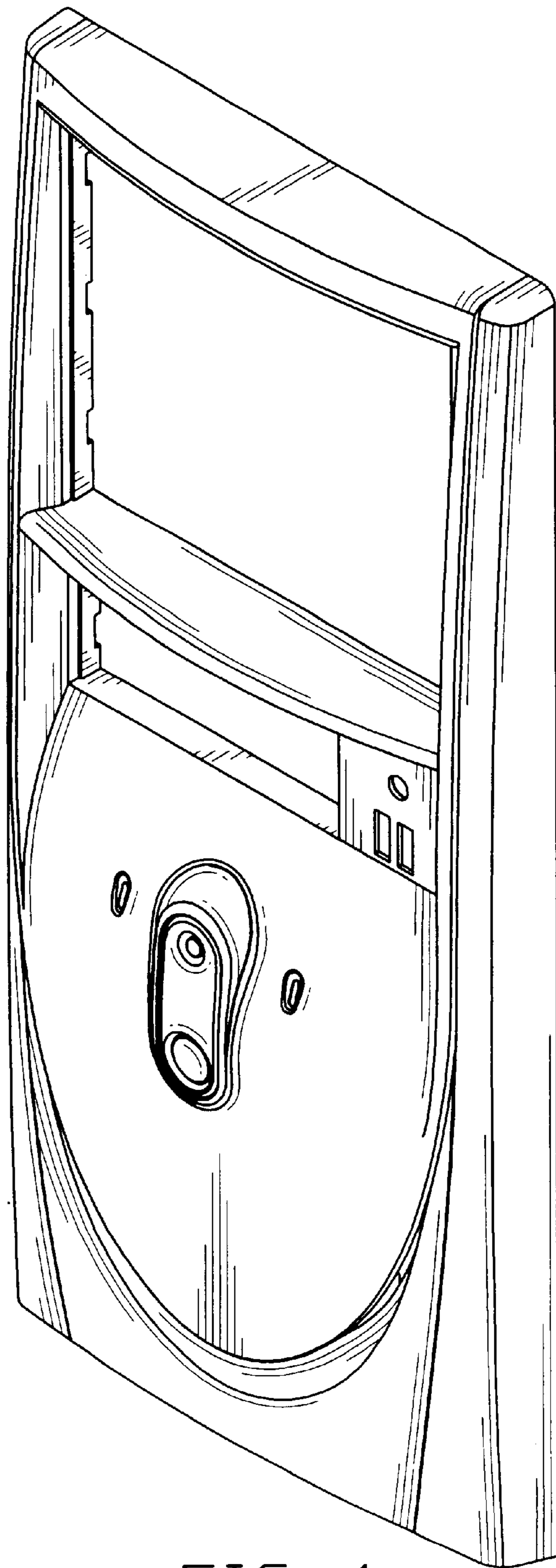


FIG. 1

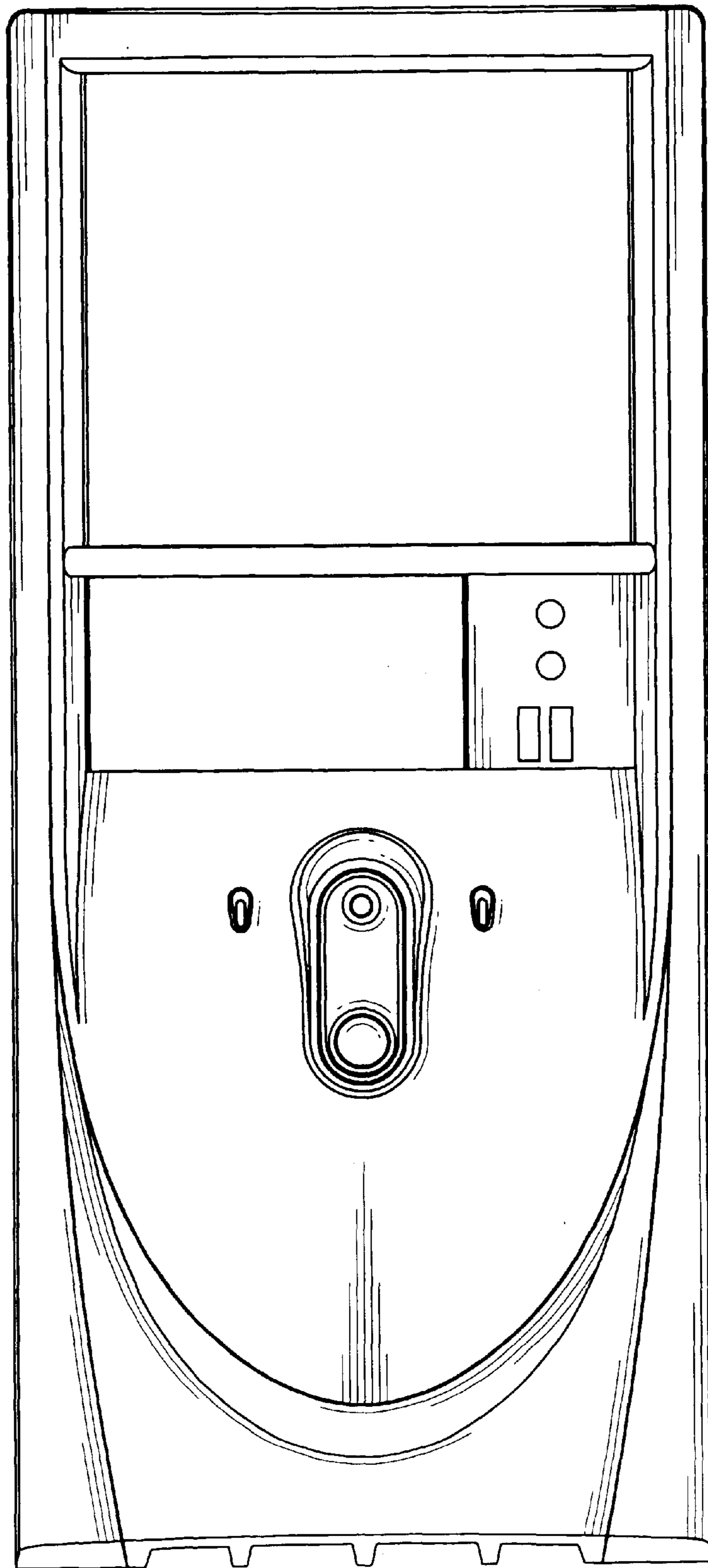


FIG. 2

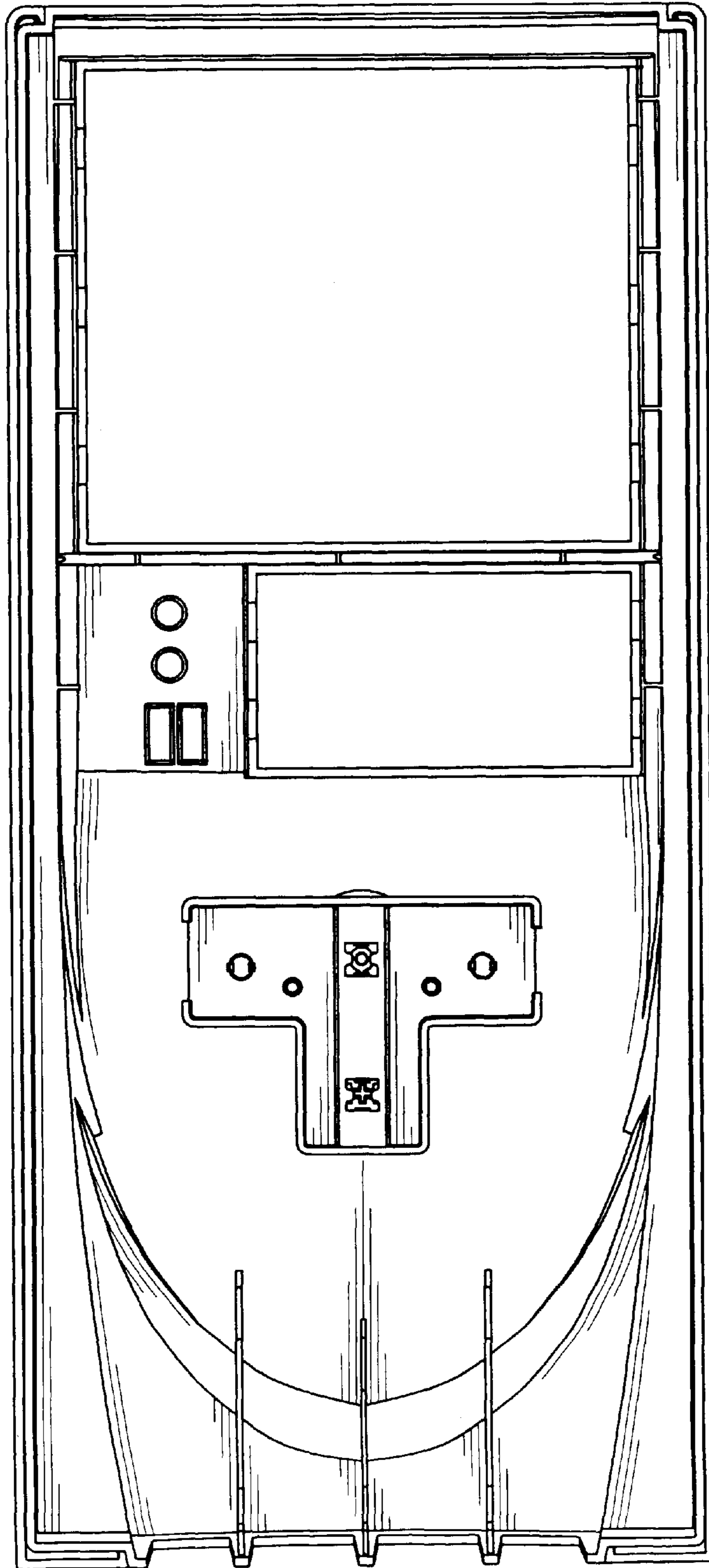


FIG. 3

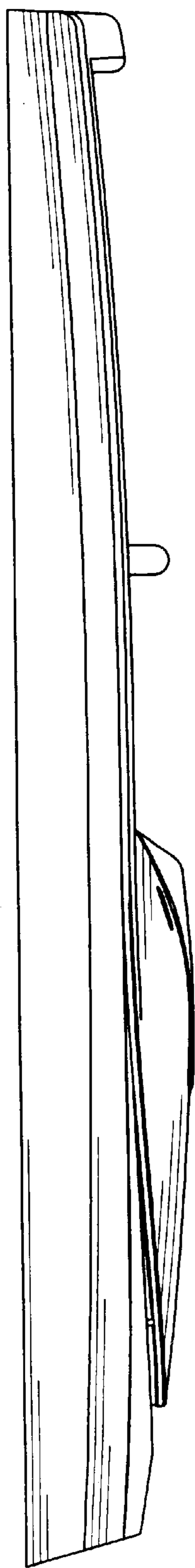


FIG. 4

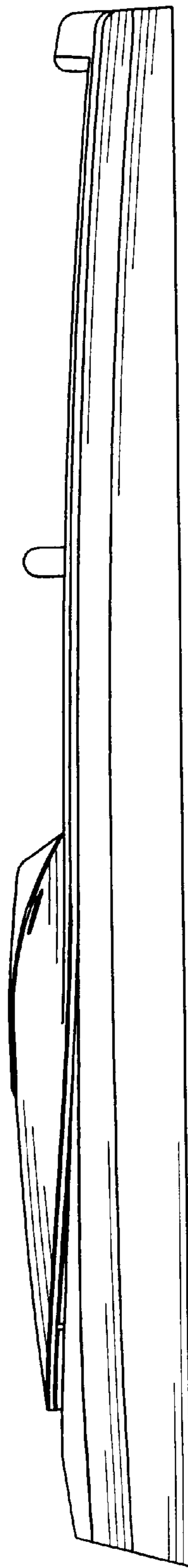


FIG. 5

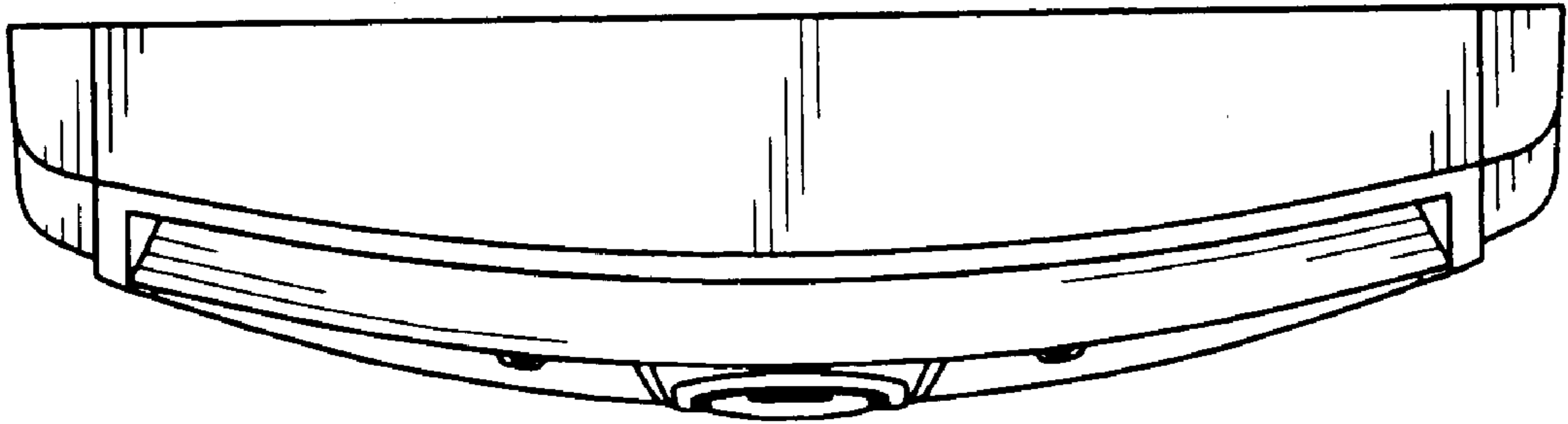


FIG. 6

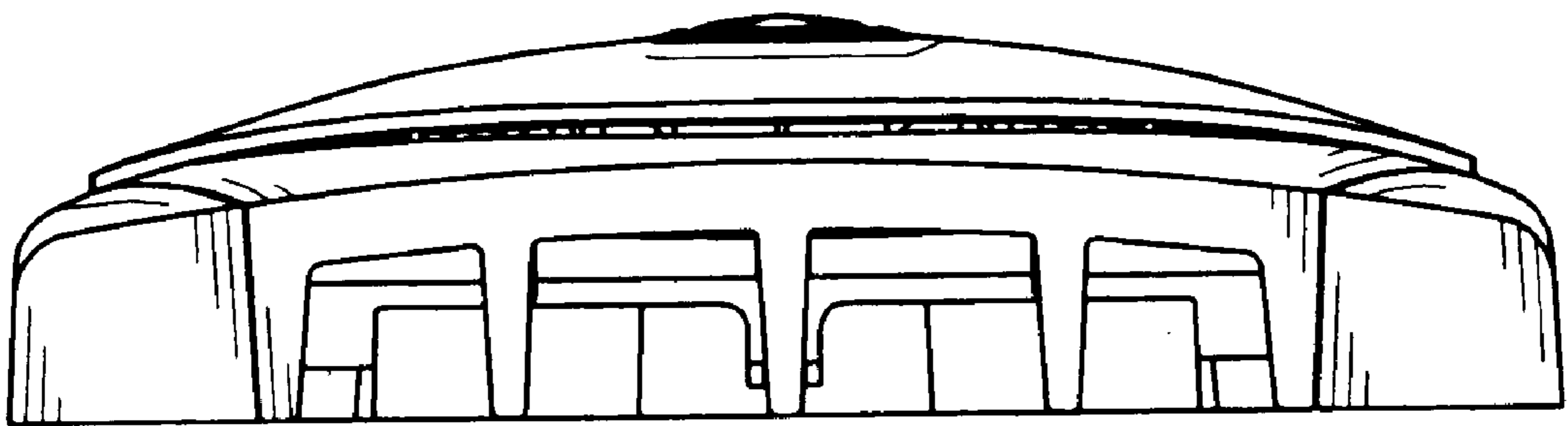


FIG. 7

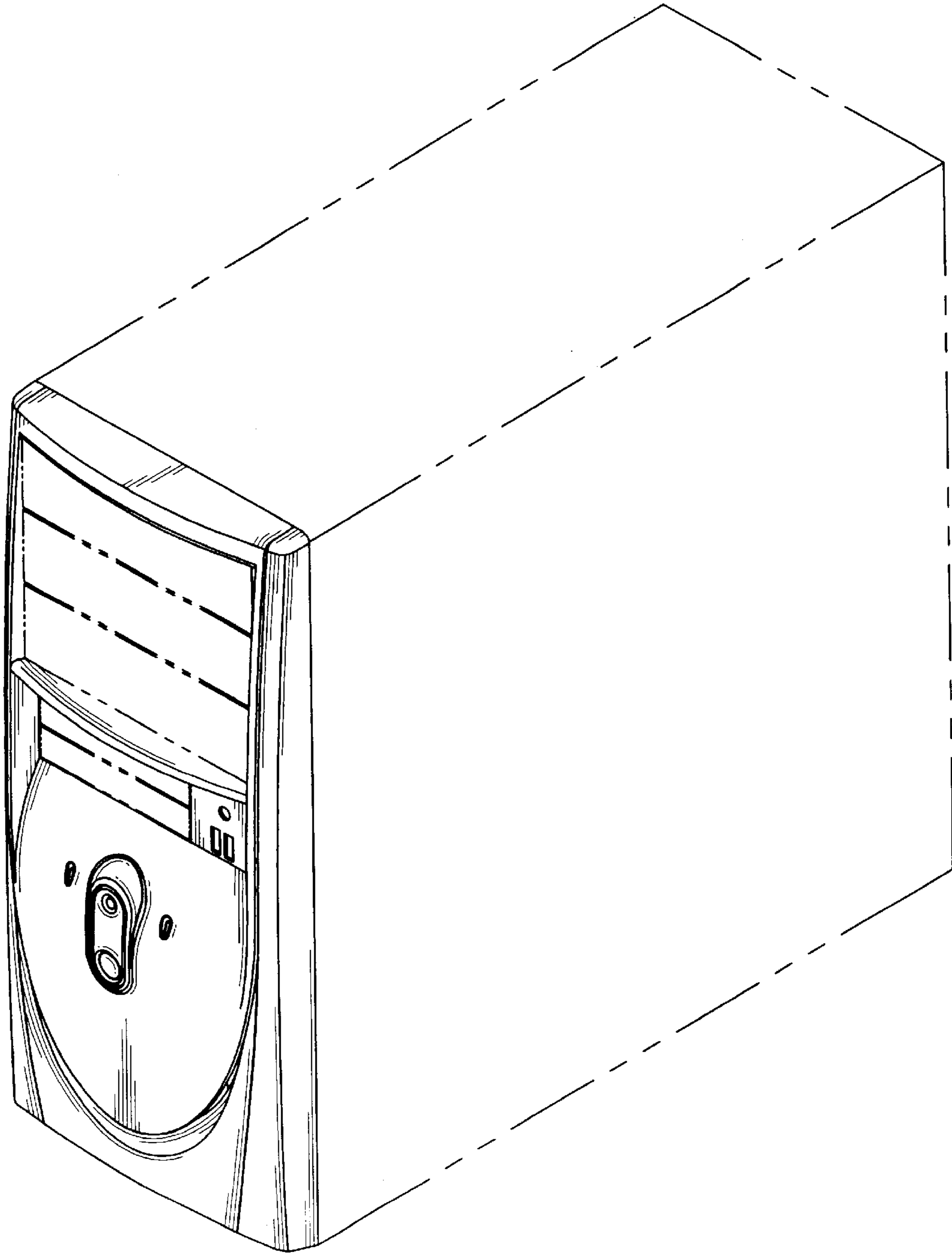


FIG. 8