



US00D488472S

(12) **United States Design Patent**
Haase et al.

(10) **Patent No.:** **US D488,472 S**

(45) **Date of Patent:** **** Apr. 13, 2004**

(54) **DISPLAY HOUSING**

(75) Inventors: **Andreas R. Haase**, Plantation, FL
(US); **Yosef Ben Yosef**, Pardes-Hana
(IL); **Ami Isakov**, Kfar Saba (IL); **Avi Zelig**, Rosh-Ha'ayin (IL)

(73) Assignee: **Motorola, Inc.**, Schaumburg, IL (US)

(**) Term: **14 Years**

(21) Appl. No.: **29/181,945**

(22) Filed: **May 15, 2003**

(51) **LOC (7) Cl.** **14-02**

(52) **U.S. Cl.** **D14/374**

(58) **Field of Search** D14/125-129,
D14/336, 371-382; 345/102, 104, 156,
168, 173; 248/917-924; 341/12; 348/180,
184, 325, 739; 349/1, 2, 11

(56) **References Cited**

U.S. PATENT DOCUMENTS

D416,549 S * 11/1999 Coster et al. D14/375

D429,227 S * 8/2000 Shimizu D14/126
D436,951 S * 1/2001 Andresen D14/336
D460,759 S * 7/2002 West et al. D14/374
D473,558 S * 4/2003 Chen et al. D14/375
2002/0180694 A1 * 12/2002 Isaacson 345/156

* cited by examiner

Primary Examiner—Clare E. Heflin

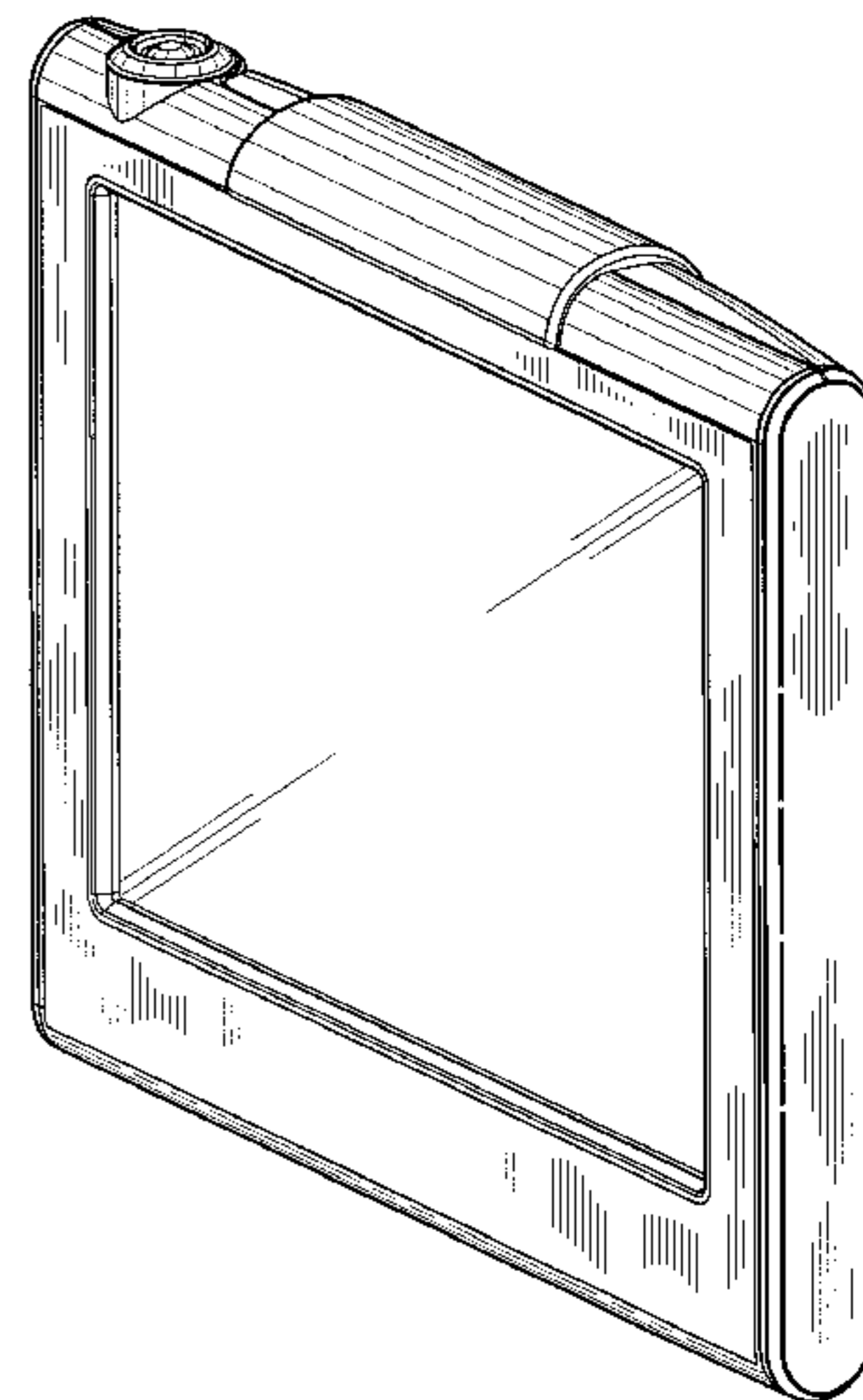
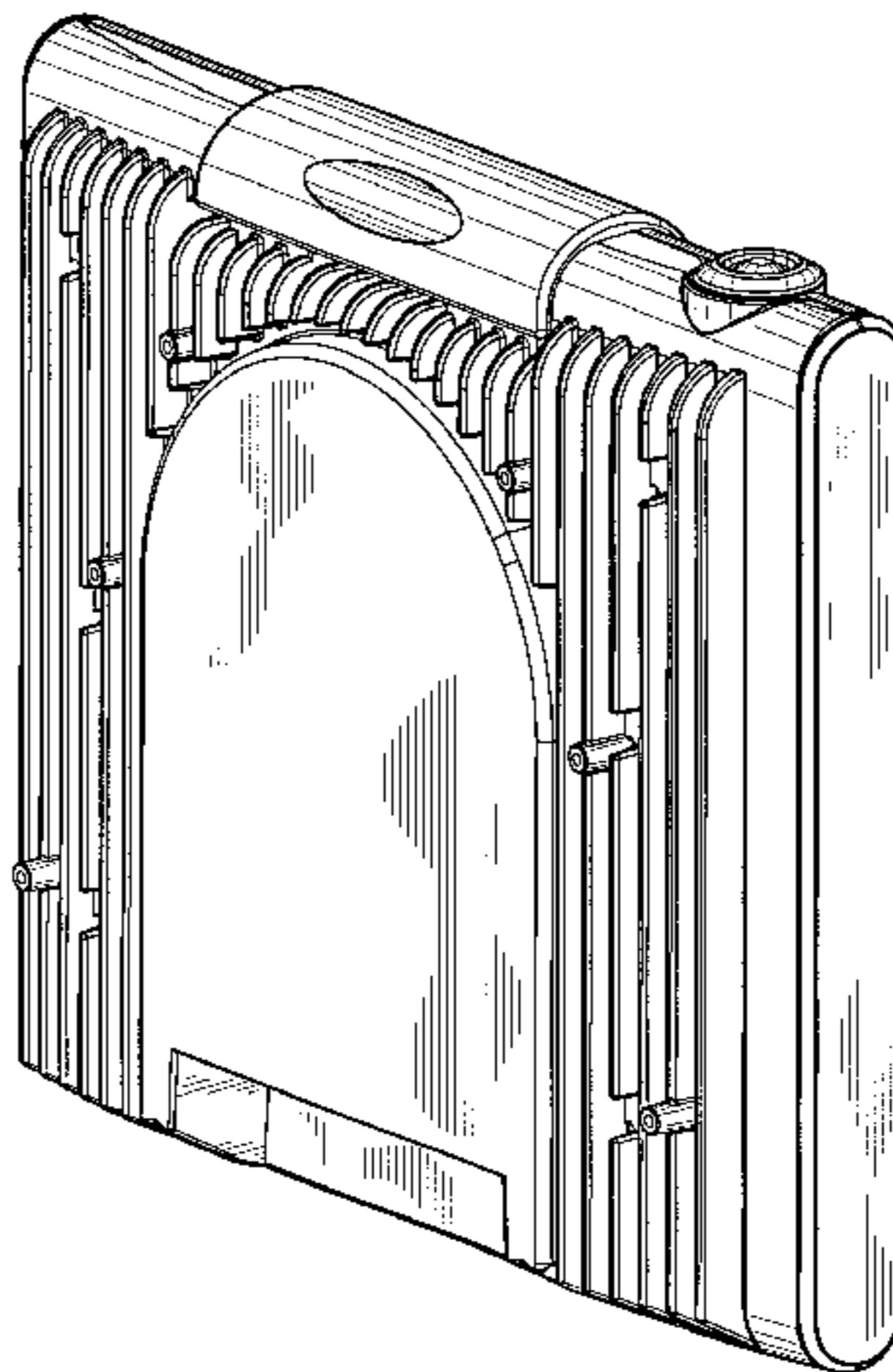
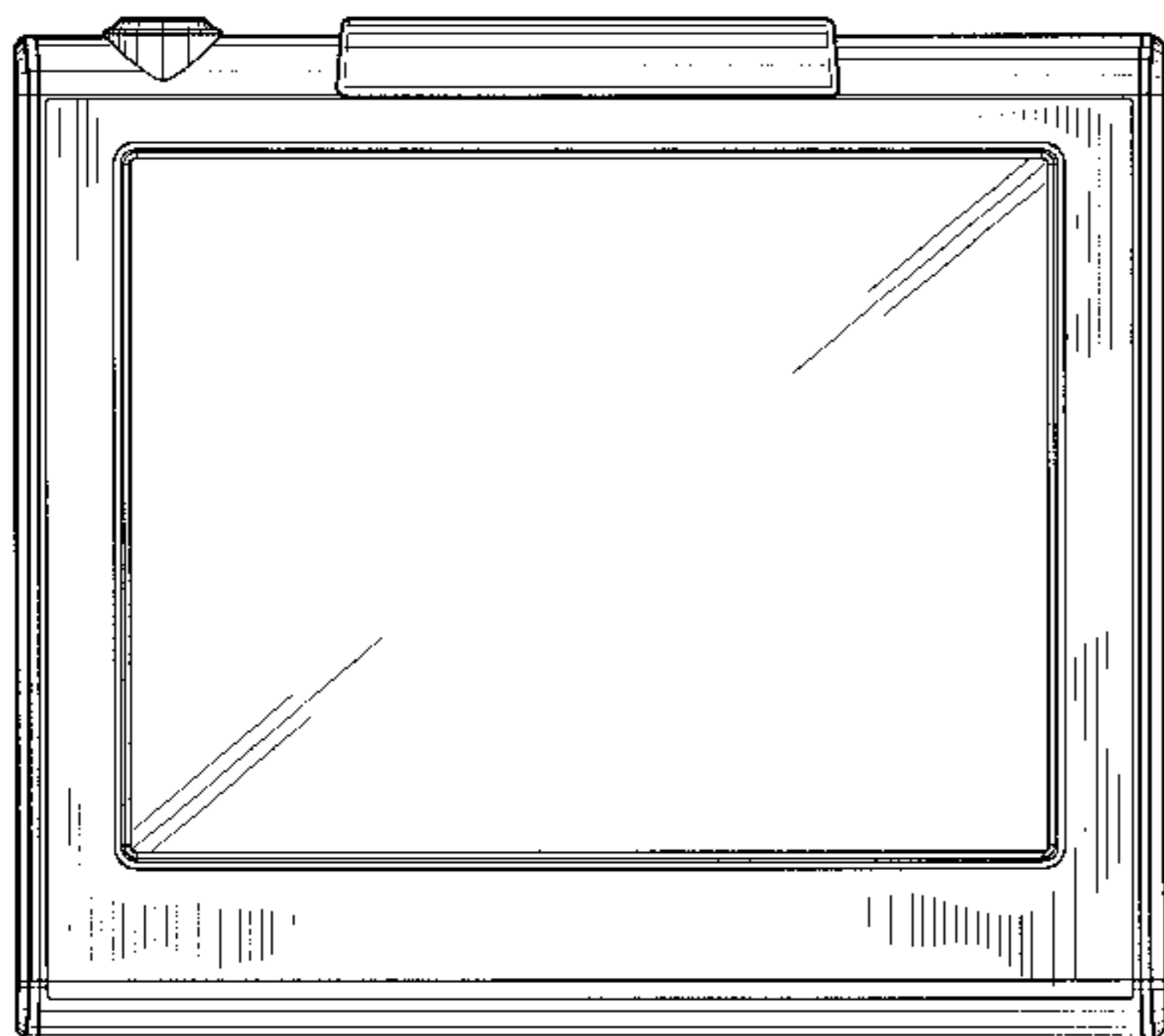
(57) **CLAIM**

The ornamental design for a display housing, as shown and described.

DESCRIPTION

FIG. 1 is a front view of a display housing in accordance with the present invention;
FIG. 2 is a back view thereof;
FIG. 3 right side elevational view thereof;
FIG. 4 is a left side elevational view thereof;
FIG. 5 is a top view thereof;
FIG. 6 is a bottom view thereof;
FIG. 7 is a perspective back view thereof; and,
FIG. 8 is a perspective front view thereof.

1 Claim, 5 Drawing Sheets



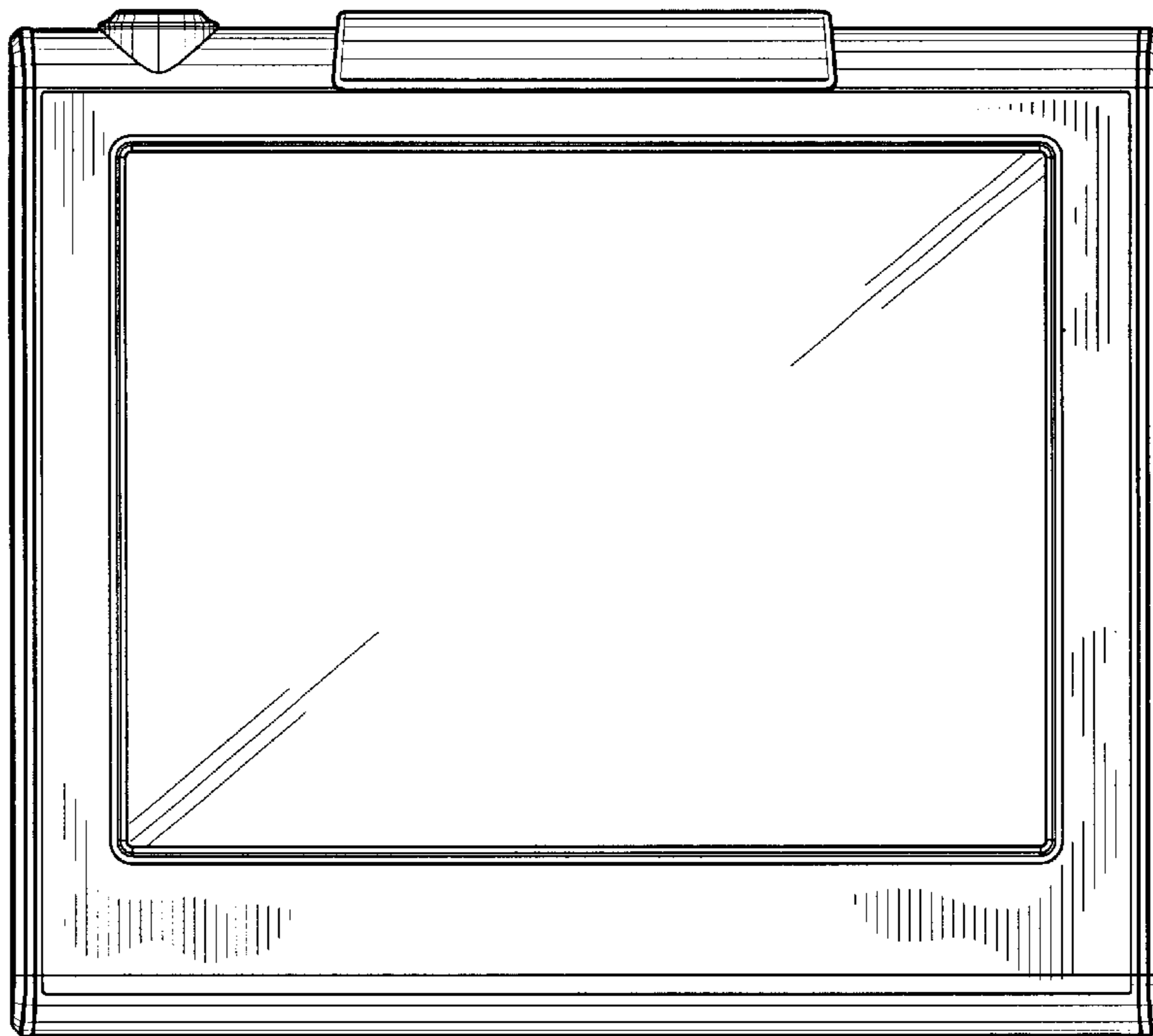


FIG. 1

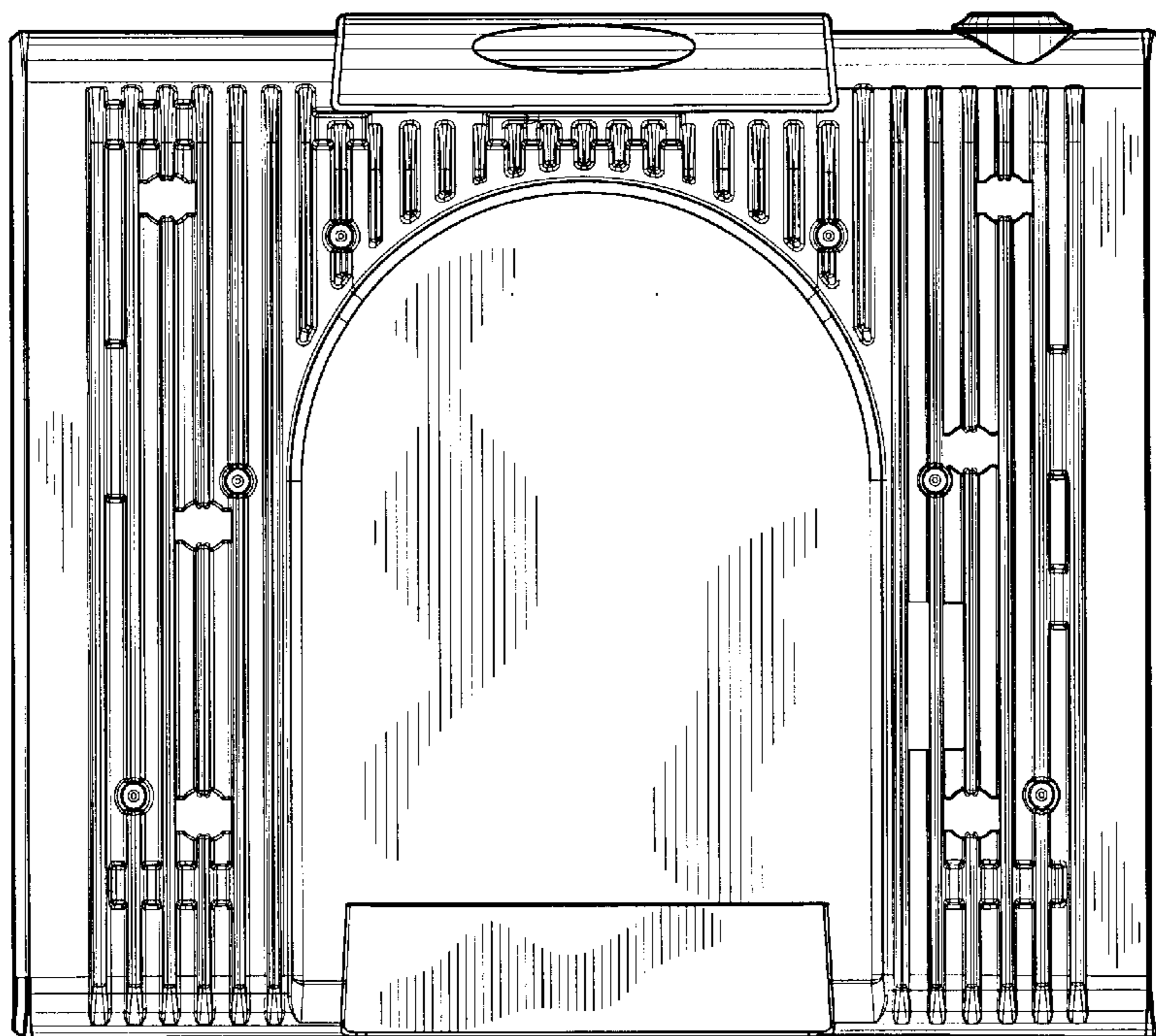


FIG. 2

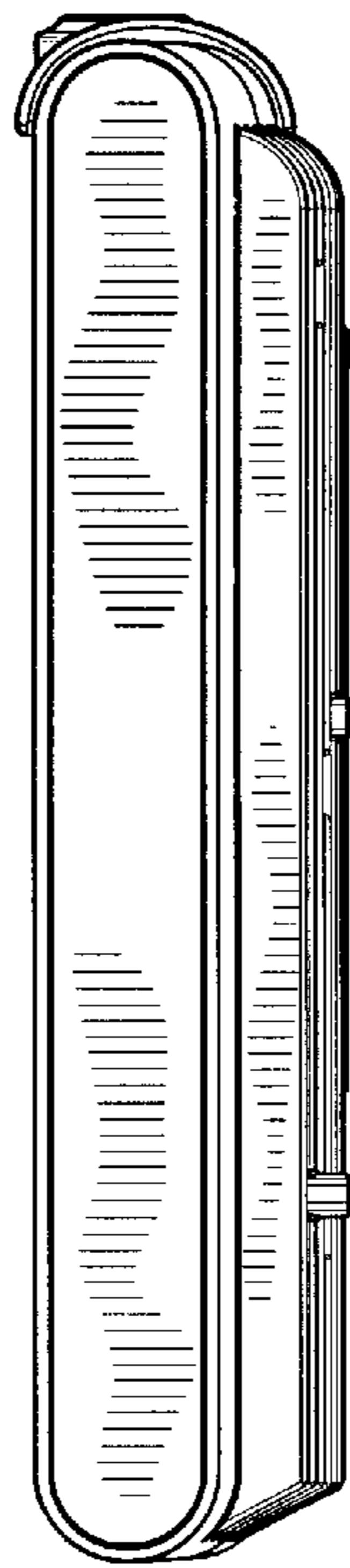


FIG. 3

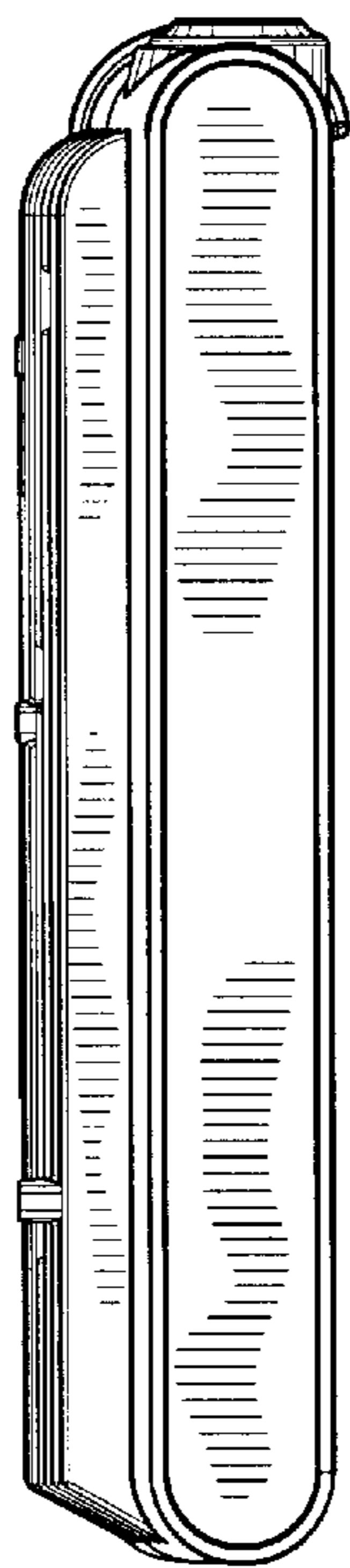


FIG. 4

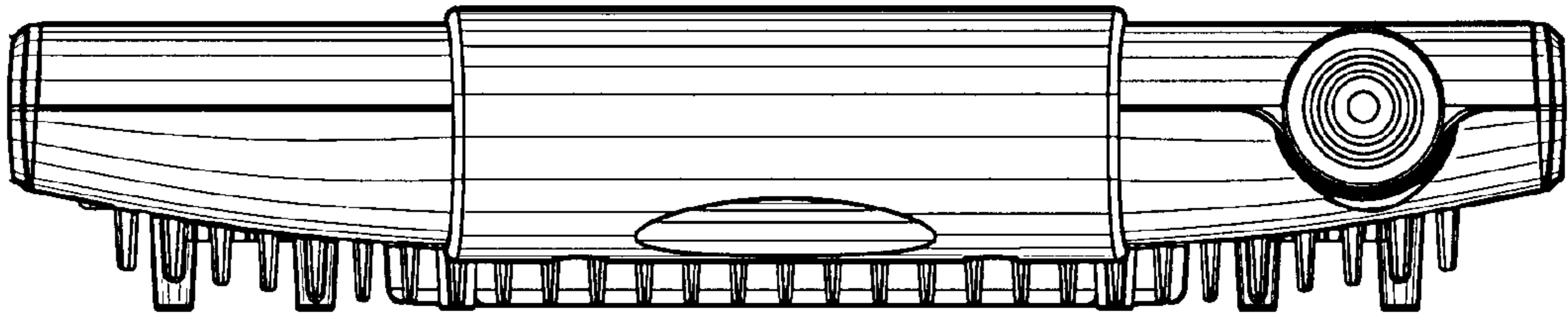


FIG. 5

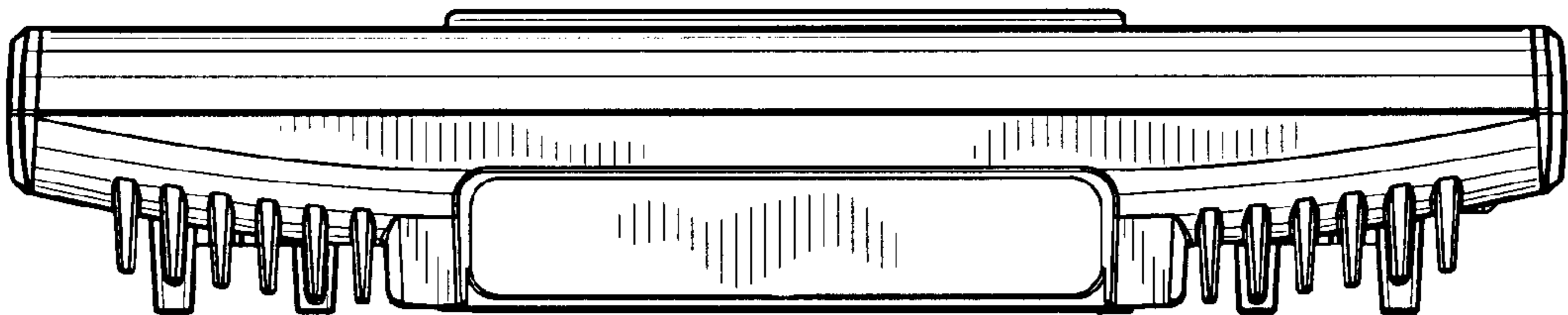


FIG. 6

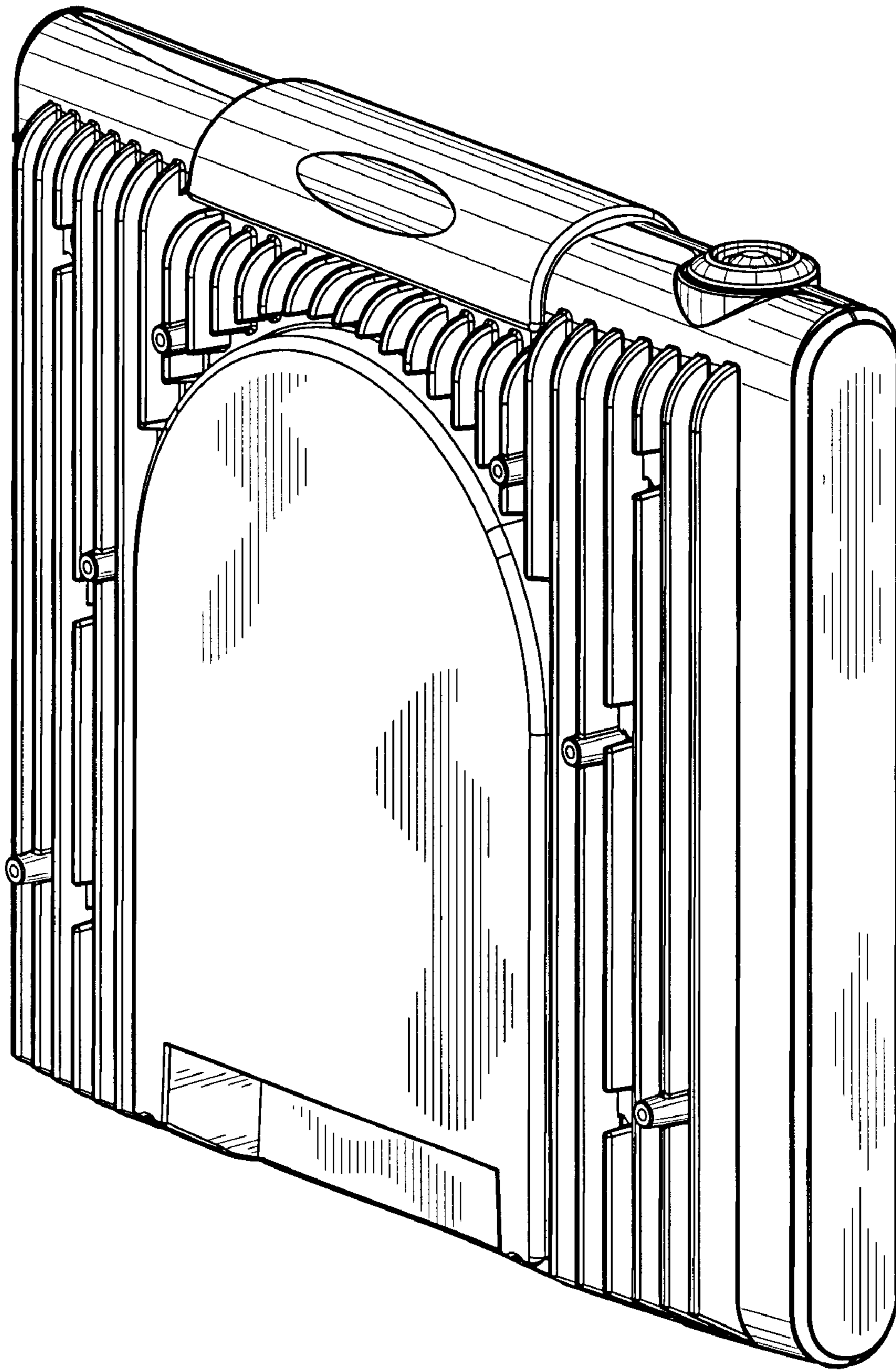


FIG. 7

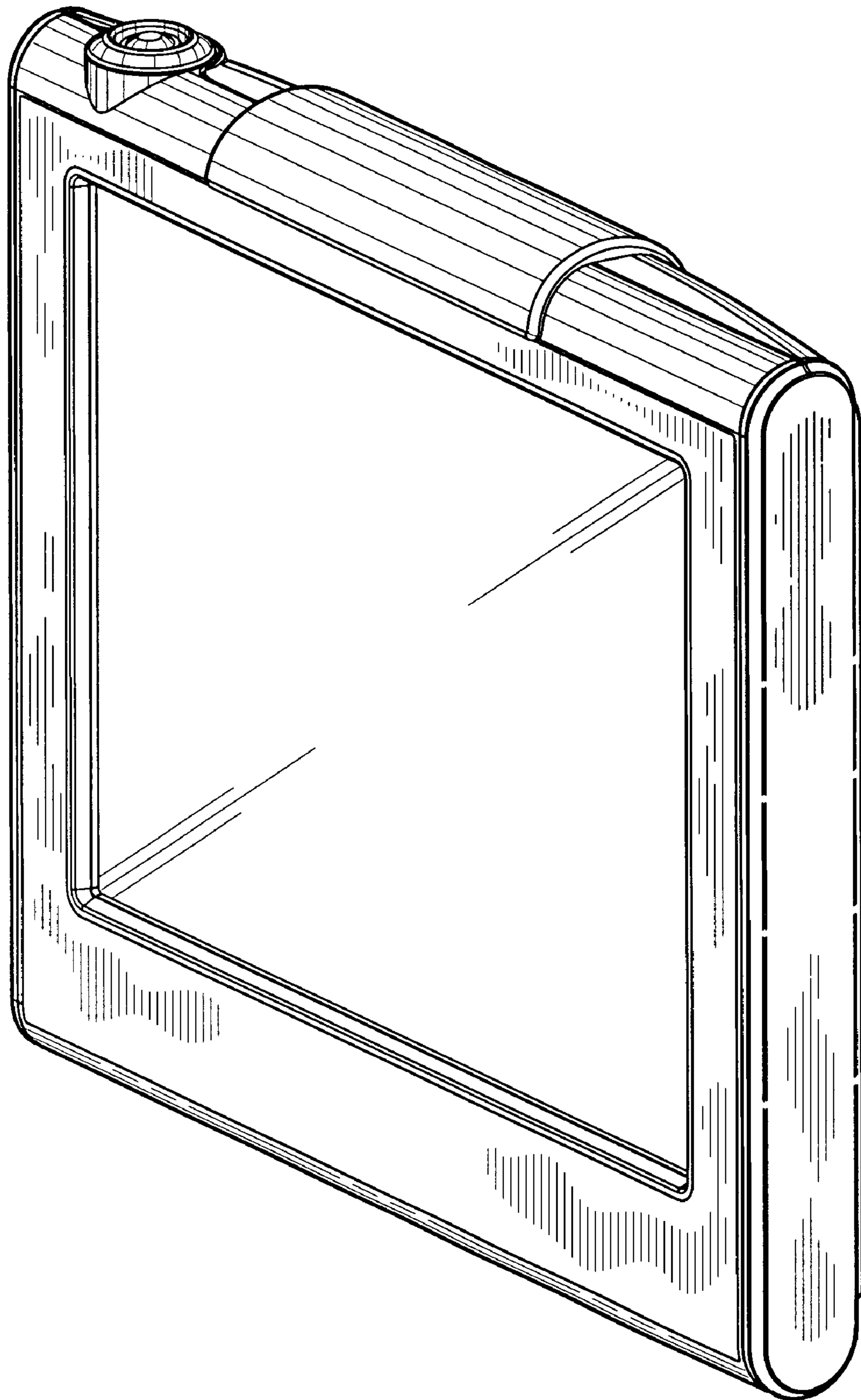


FIG. 8