



US00D488468S

(12) **United States Design Patent**  
**Hu**

(10) **Patent No.:** **US D488,468 S**

(45) **Date of Patent:** **\*\* Apr. 13, 2004**

(54) **PERSONAL DIGITAL ASSISTANT**

D456,805 S \* 5/2002 Ono et al. .... D14/342  
D466,115 S \* 11/2002 Hawkins et al. .... D14/345  
D467,890 S \* 12/2002 Lai et al. .... D14/138

(75) Inventor: **Hsing-Cheng Hu**, Taipei (TW)

\* cited by examiner

(73) Assignee: **First International Computer, Inc.**,  
Taipei (TW)

*Primary Examiner*—Freda Nunn

(\*\*) Term: **14 Years**

(74) *Attorney, Agent, or Firm*—Bacon & Thomas, PLLC

(21) Appl. No.: **29/174,244**

(57) **CLAIM**

(22) Filed: **Jan. 15, 2003**

The ornamental design for a personal digital assistant, as shown and described.

(51) **LOC (7) Cl.** ..... **14-02**

**DESCRIPTION**

(52) **U.S. Cl.** ..... **D14/341**

FIG. 1 is a perspective view of a personal digital assistant showing my new design.

(58) **Field of Search** ..... D14/341-346,  
D14/138; D18/1, 2, 7; D19/59, 60; 345/104,  
156, 168, 173, 901, 905; 434/307 R, 308,  
309, 317; 178/18.03; 349/12

FIG. 2 is a front elevational view thereof;

FIG. 3 is a rear elevational view thereof;

FIG. 4 is a left side elevational view thereof;

FIG. 5 is a right side elevational view thereof;

FIG. 6 is a top plan view thereof; and,

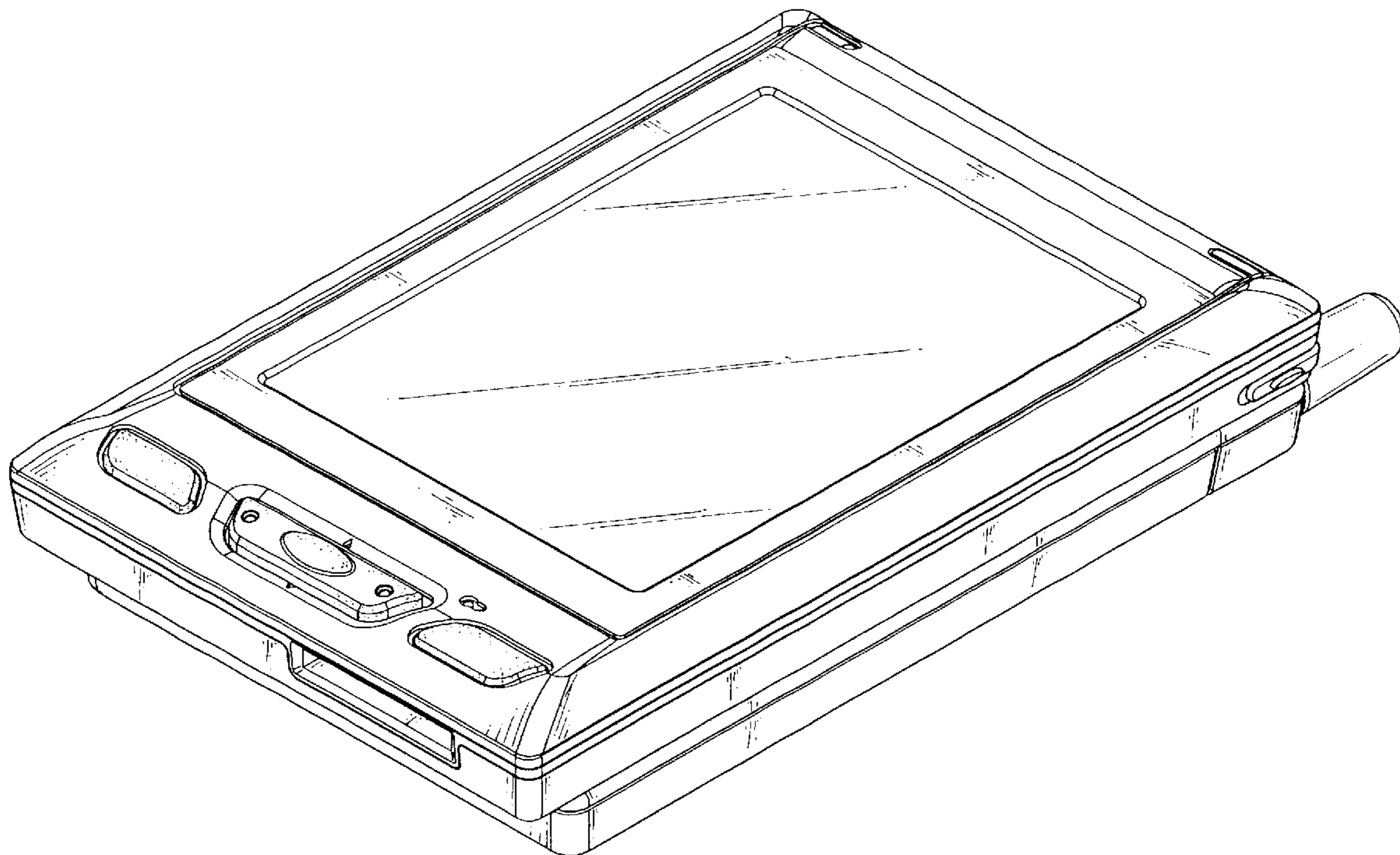
FIG. 7 is a bottom plan view thereof.

(56) **References Cited**

**U.S. PATENT DOCUMENTS**

D397,679 S \* 9/1998 Hawkins et al. .... D14/342

**1 Claim, 5 Drawing Sheets**



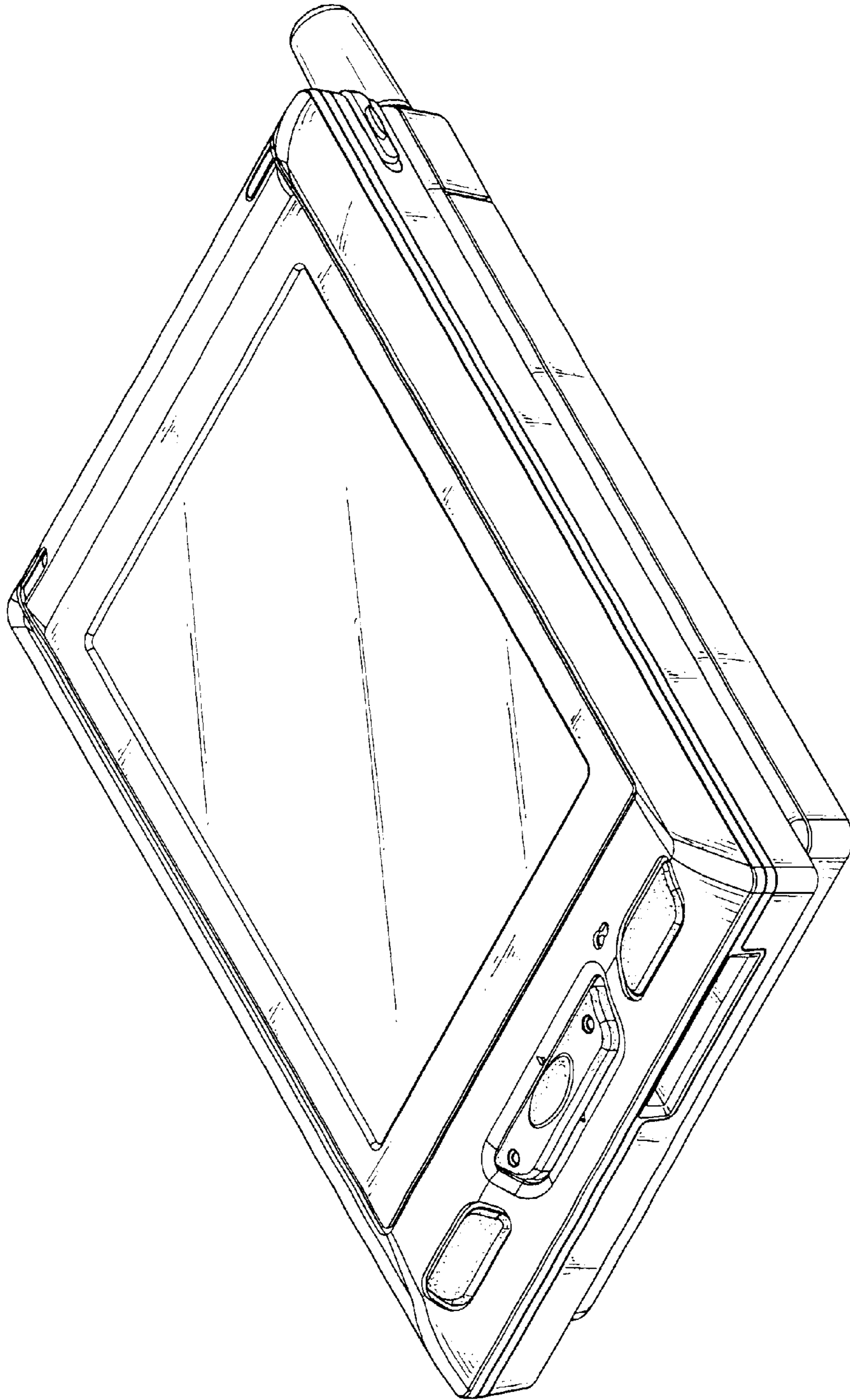


FIG. 1

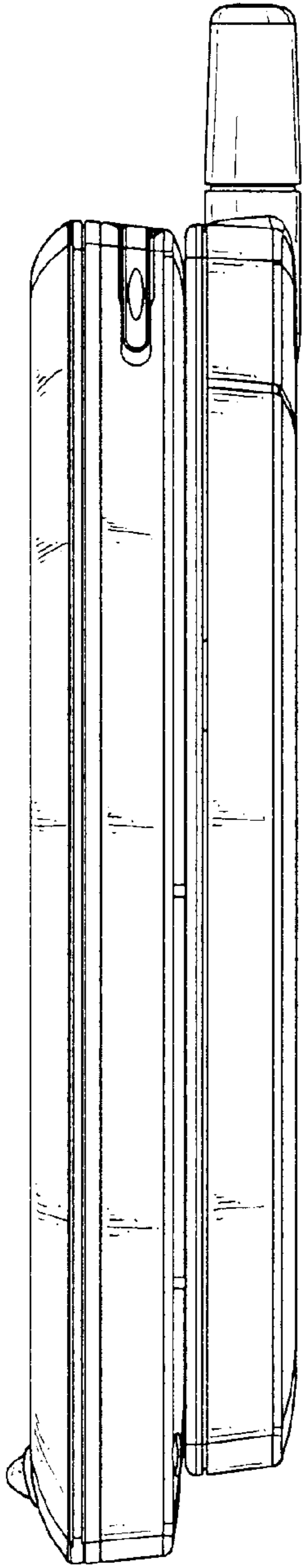


FIG. 2

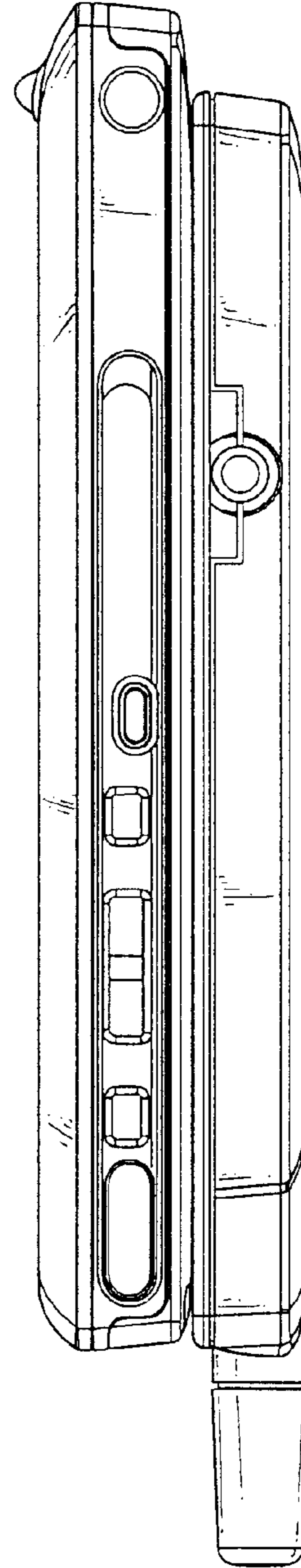


FIG. 3

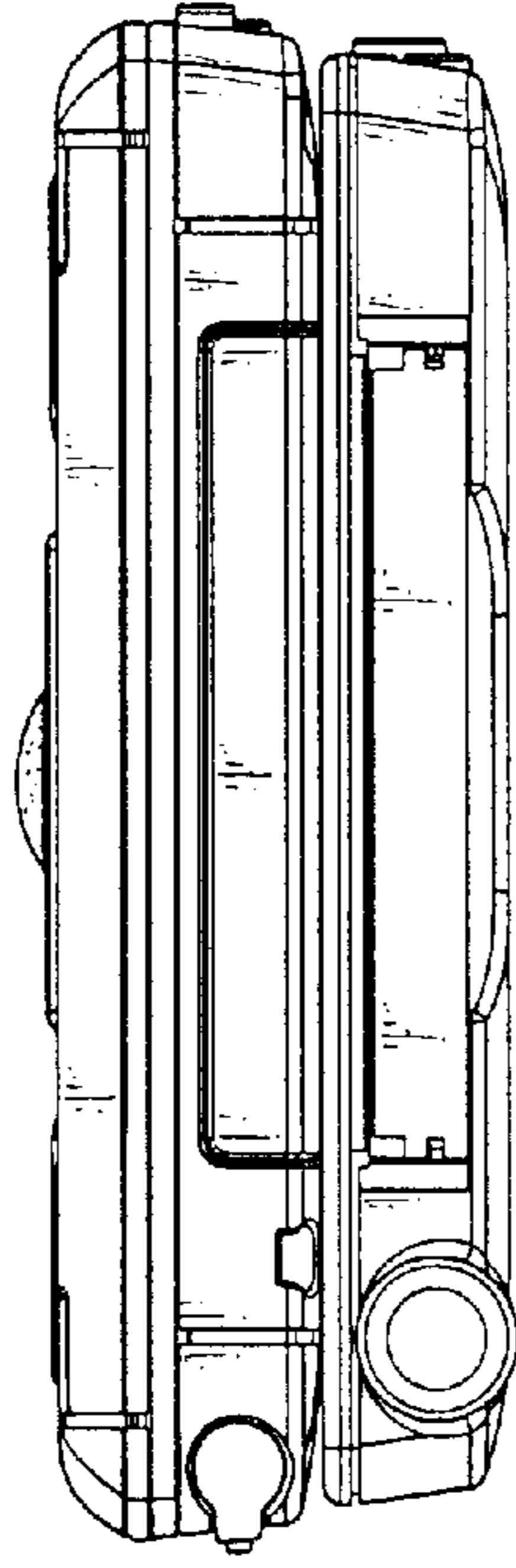


FIG. 5

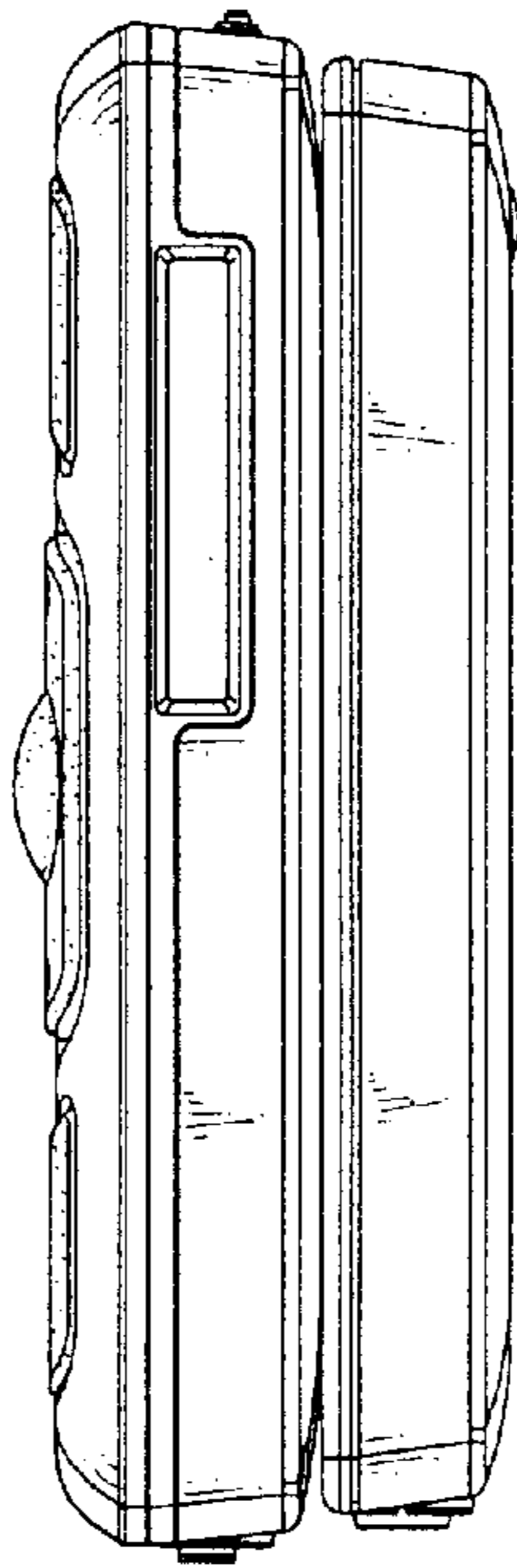


FIG. 4

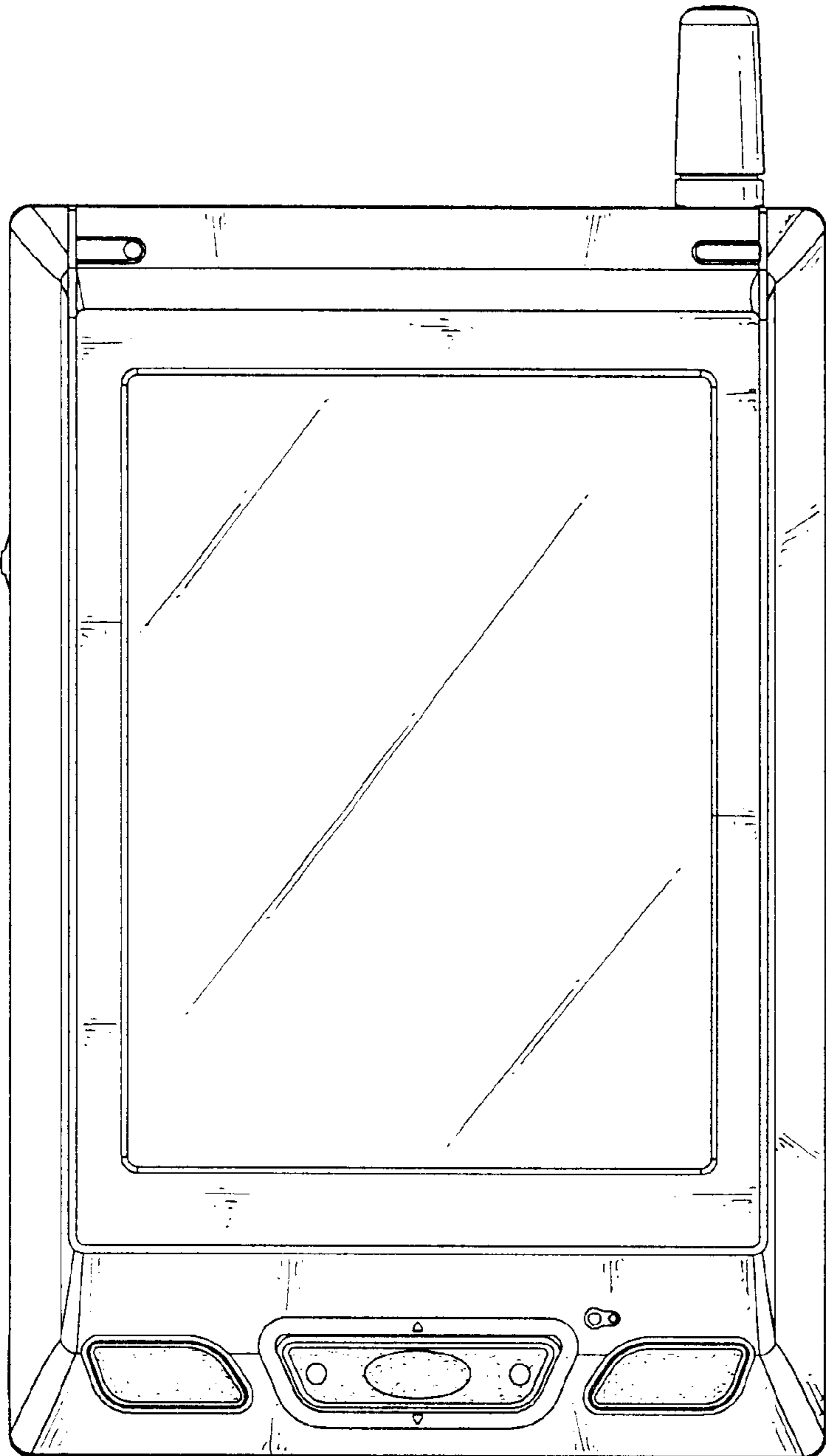


FIG. 6

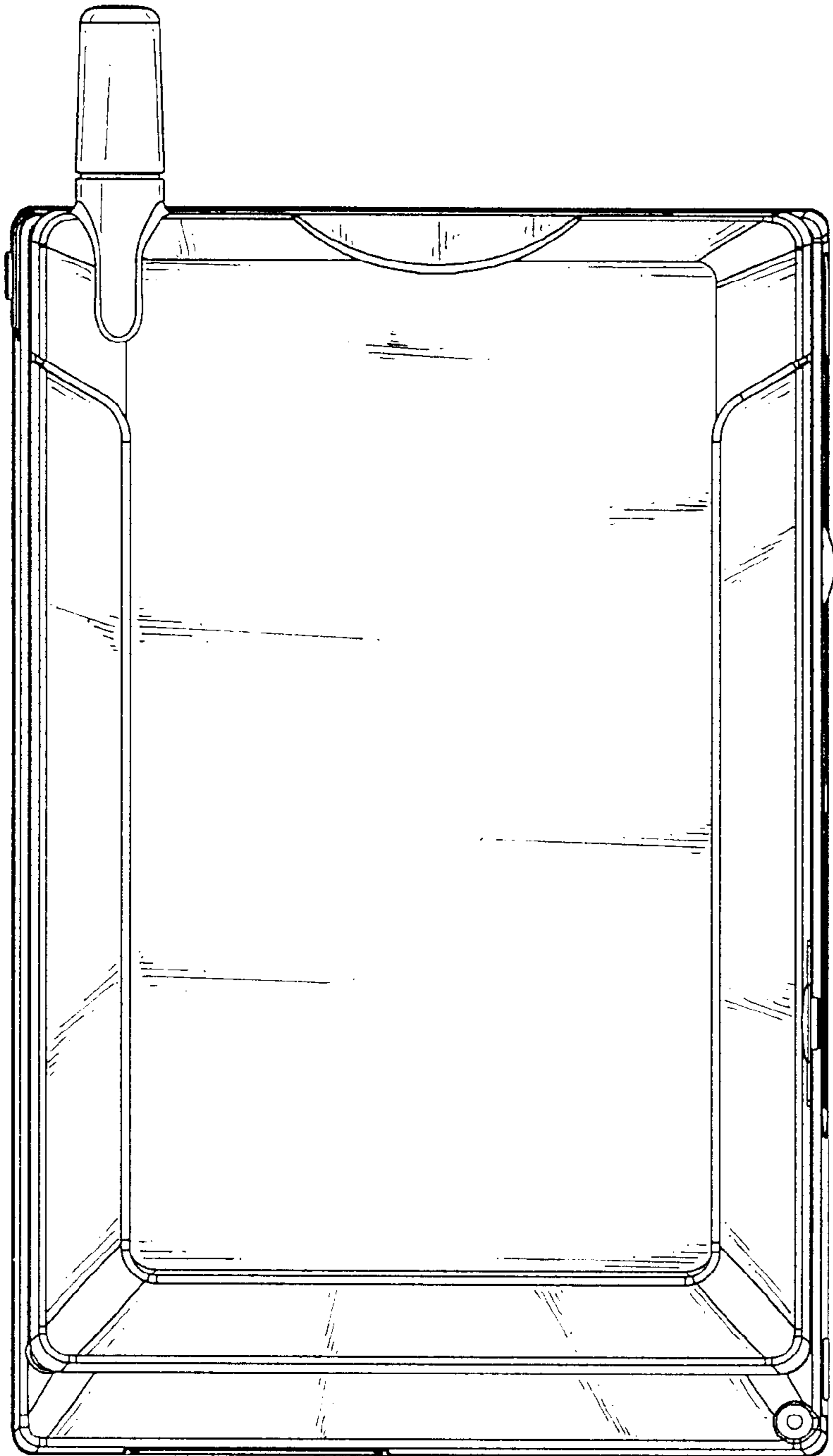


FIG. 7